



US00D629123S

(12) **United States Design Patent**  
**Smith, Sr.**

(10) **Patent No.:** **US D629,123 S**

(45) **Date of Patent:** **\*\* Dec. 14, 2010**

(54) **ROCKET TRAIN TUBE**

(76) Inventor: **Albert Lee Smith, Sr.**, 412 E. 4th St. /  
P.O. Box 75, Eloy, AZ (US) 85131

(\*\*) Term: **14 Years**

(21) Appl. No.: **29/349,470**

(22) Filed: **Apr. 5, 2010**

(51) **LOC (9) Cl.** ..... **25-01**

(52) **U.S. Cl.** ..... **D25/18**

(58) **Field of Classification Search** ..... D25/1-33,  
D25/102-122, 199; 405/132-134, 125-126  
See application file for complete search history.

(56) **References Cited**

U.S. PATENT DOCUMENTS

3,813,885	A *	6/1974	Tabor	405/132
4,407,609	A *	10/1983	Cerutti et al.	405/146
5,281,053	A *	1/1994	Matiere	405/149
5,899,635	A *	5/1999	Kuja et al.	405/136
D413,370	S *	8/1999	Kirn et al.	D21/814
6,375,390	B1 *	4/2002	Lunardi	405/146
6,450,734	B1 *	9/2002	Kuja et al.	405/136
D484,610	S *	12/2003	Lockwood	D25/1
D490,533	S *	5/2004	Lockwood	D25/1

2003/0091394 A1\* 5/2003 Ide ..... 405/132

\* cited by examiner

*Primary Examiner*—T. Chase Nelson  
*Assistant Examiner*—Eric L Goodman

(57) **CLAIM**

The ornamental design for a rocket train tube, as shown and described.

**DESCRIPTION**

FIG. 1 is a perspective of the rocket train tube showing my new design, the opposite side being mirror image thereof;

FIG. 2 is a sectional view taken along line 2—2 as show in FIG. 1; and,

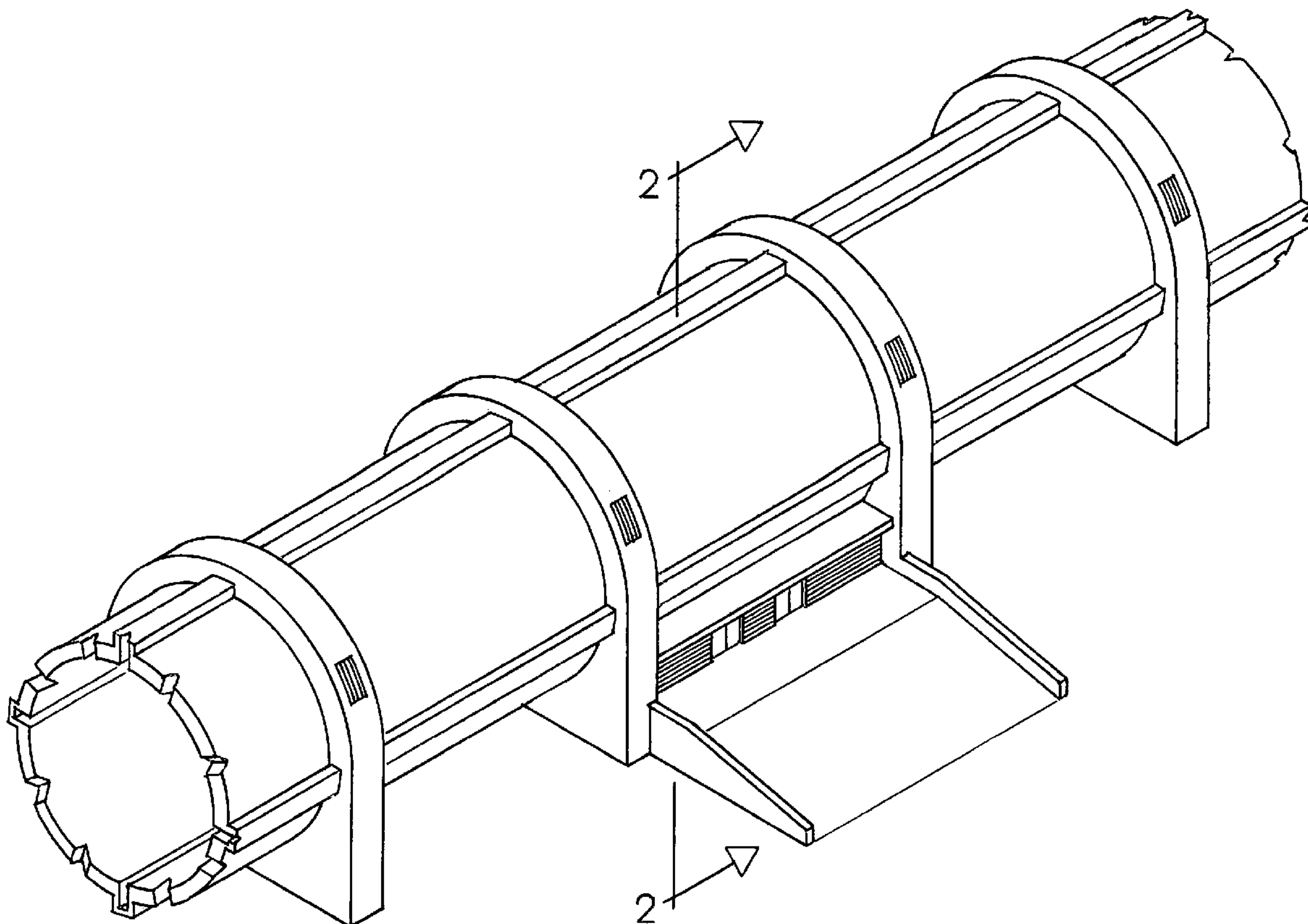
FIG. 3. is a bottom view thereof.

The broken line(s) which define the bounds of the claimed design form no part thereof.

The ends of the tube are shown broken away to indicate that a particular length of rocket train tube forms no part of the claimed design.

Rocket train tube is a hollow tube that the rocket train slides through.

**1 Claim, 3 Drawing Sheets**



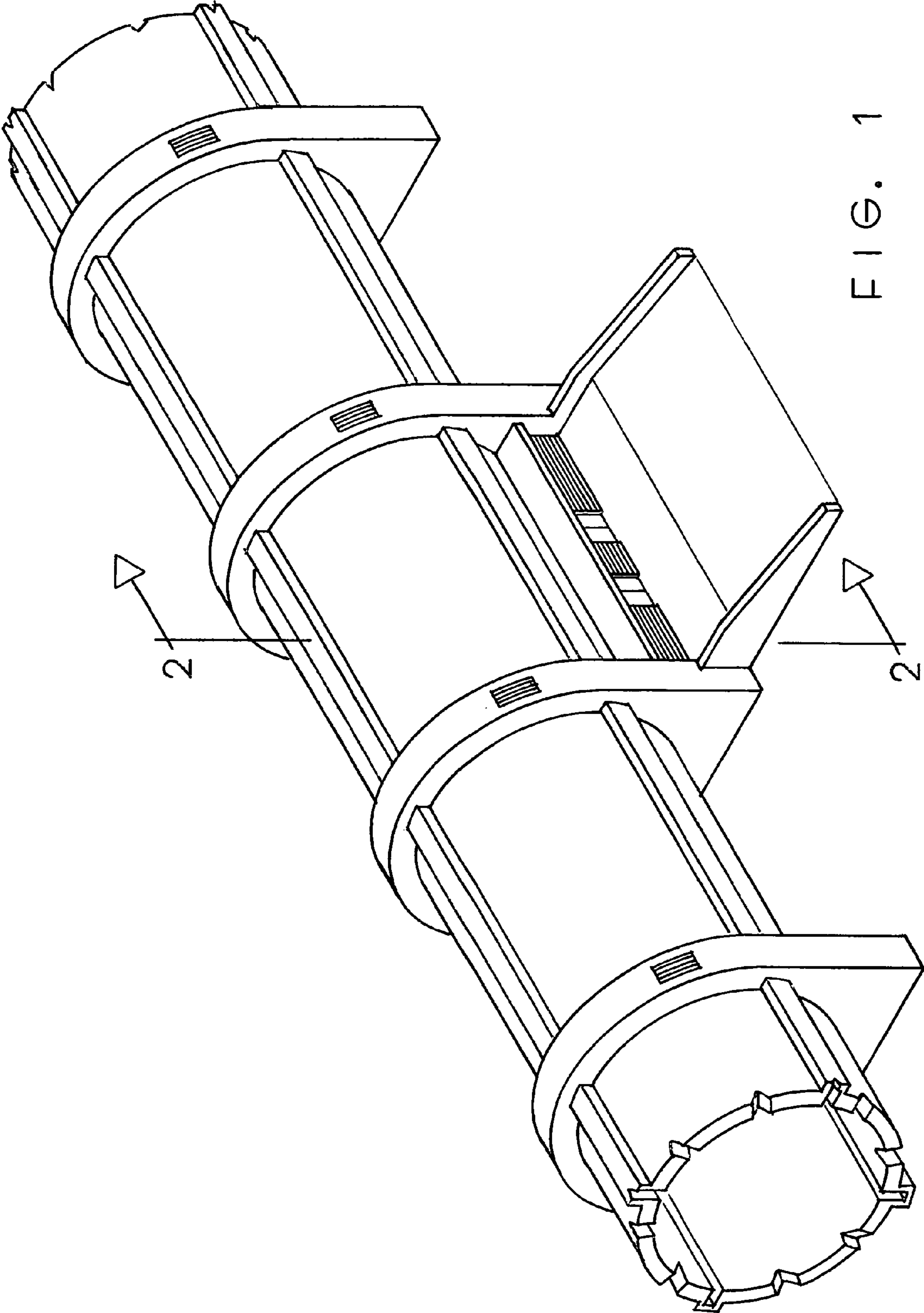


FIG. 1

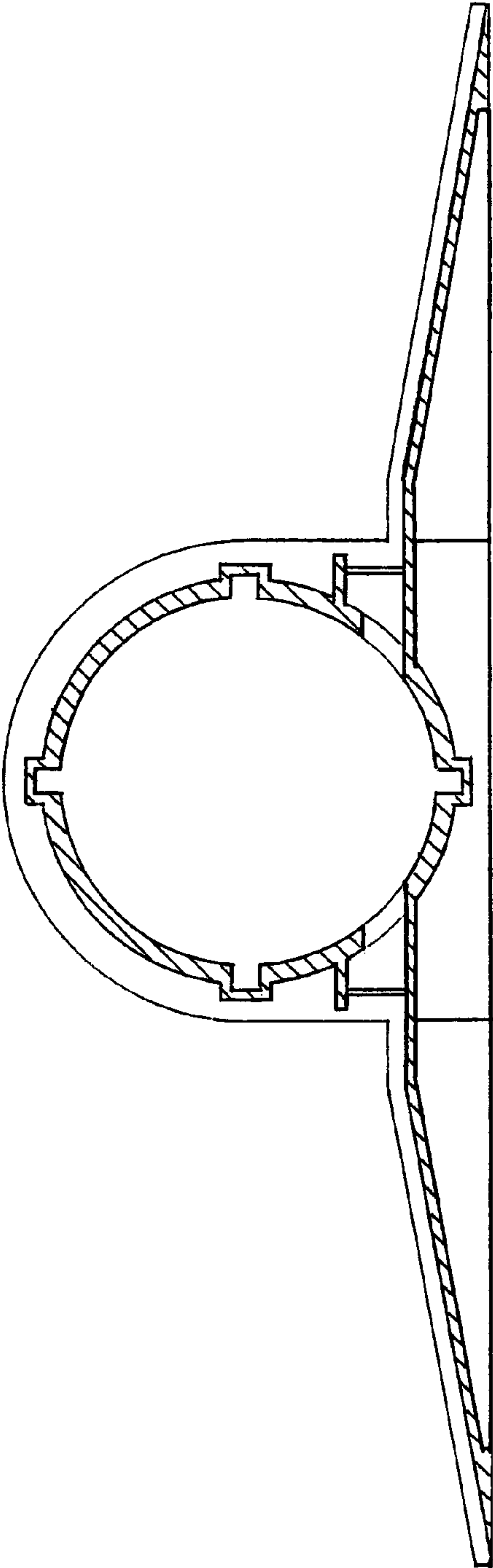


FIG. 2

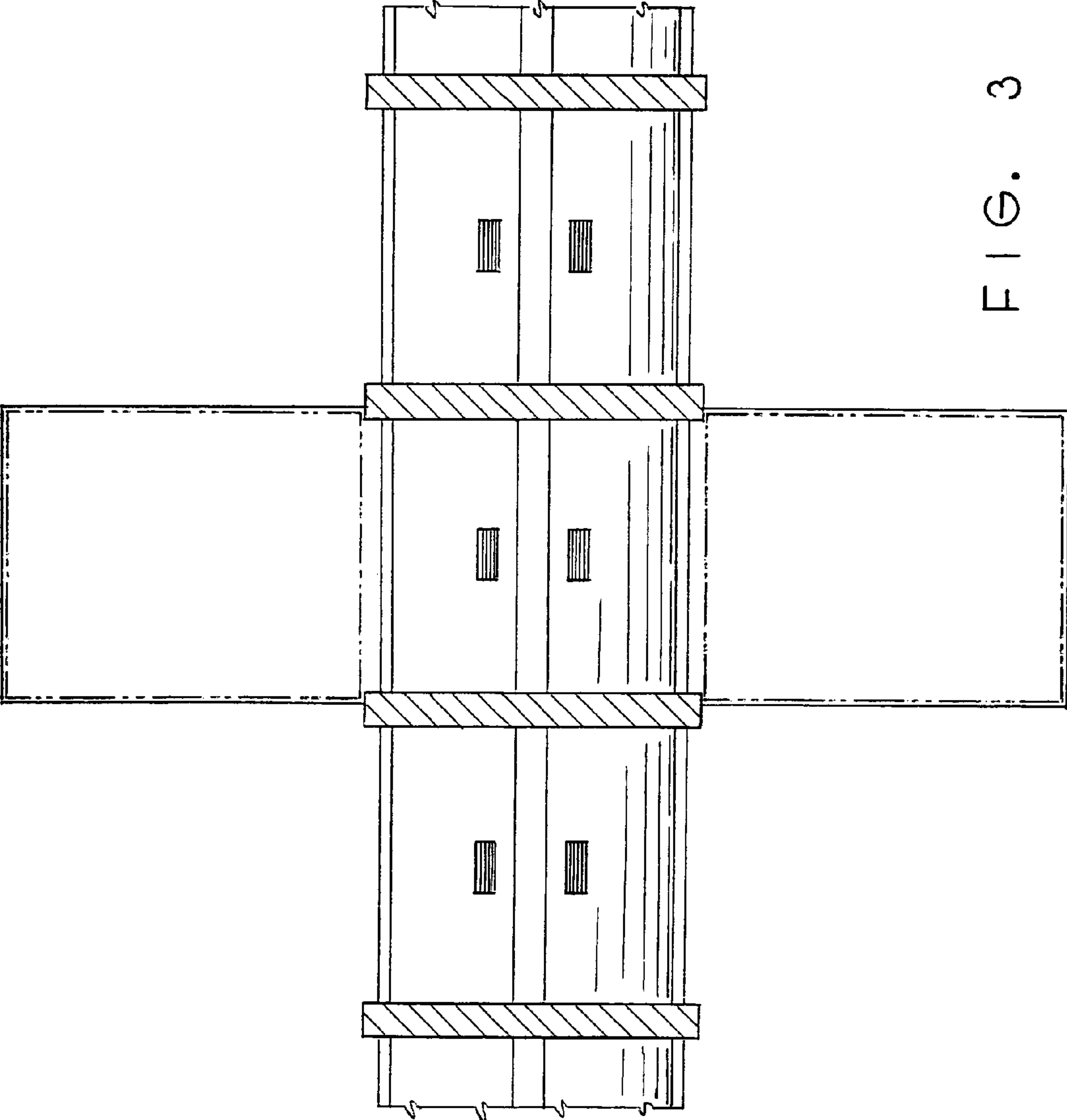


FIG. 3