



(12) **United States Design Patent**
Karpiloff

(10) **Patent No.:** **US D629,121 S**
(45) **Date of Patent:** **** Dec. 14, 2010**

- (54) **TRANSPORT TUBE HOLDER ASSEMBLY WITH INTERNAL AND EXTERNAL RIBS**
- (75) Inventor: **Kenneth Karpiloff**, Mamaroneck, NY (US)
- (73) Assignee: **Becton, Dickinson and Company**, Franklin Lakes, NJ (US)
- (**) Term: **14 Years**
- (21) Appl. No.: **29/364,217**
- (22) Filed: **Jun. 21, 2010**

Related U.S. Application Data

- (62) Division of application No. 29/354,047, filed on Jan. 19, 2010.
- (51) **LOC (9) Cl.** **24-02**
- (52) **U.S. Cl.** **D24/230**
- (58) **Field of Classification Search** D24/216, D24/222, 224, 226, 227, 229, 230; 422/63-64, 422/99-104, 250, 266, 297, 330, 476; 206/563, 206/446; 211/69, 71-72, 74
See application file for complete search history.

(56) **References Cited**

U.S. PATENT DOCUMENTS

D264,810 S *	6/1982	Voltmann	D24/226
D271,239 S *	11/1983	Lemieux et al.	D24/230
D337,165 S *	7/1993	Malinoff	D24/222
5,487,872 A *	1/1996	Hafeman et al.	422/102
D414,271 S *	9/1999	Mendoza	D24/227
D420,743 S *	2/2000	Monks	D24/224

(Continued)

OTHER PUBLICATIONS

U.S. Appl. No. 29/364,224, filed Jun. 21, 2010, to Kenneth Karpiloff.
(Continued)

Primary Examiner—T. Chase Nelson
Assistant Examiner—Mark Cavanna

(74) *Attorney, Agent, or Firm*—The Webb Law Firm

(57) **CLAIM**

The ornamental design for a transport tube holder assembly with internal and external ribs, as shown and described.

DESCRIPTION

FIG. 1 is a frontwardly directed perspective view of a transport tube holder assembly with internal and external ribs in accordance with an embodiment of the present invention.

FIG. 2 is a rearwardly directed perspective view of the transport tube holder assembly of FIG. 1 in accordance with an embodiment of the present invention.

FIG. 3 is a top view of the transport tube holder assembly of FIG. 1 in accordance with an embodiment of the present invention.

FIG. 4 is a left side view of the transport tube holder assembly of FIG. 1 in accordance with an embodiment of the present invention.

FIG. 5 is a right side view of the transport tube holder assembly of FIG. 1 in accordance with an embodiment of the present invention.

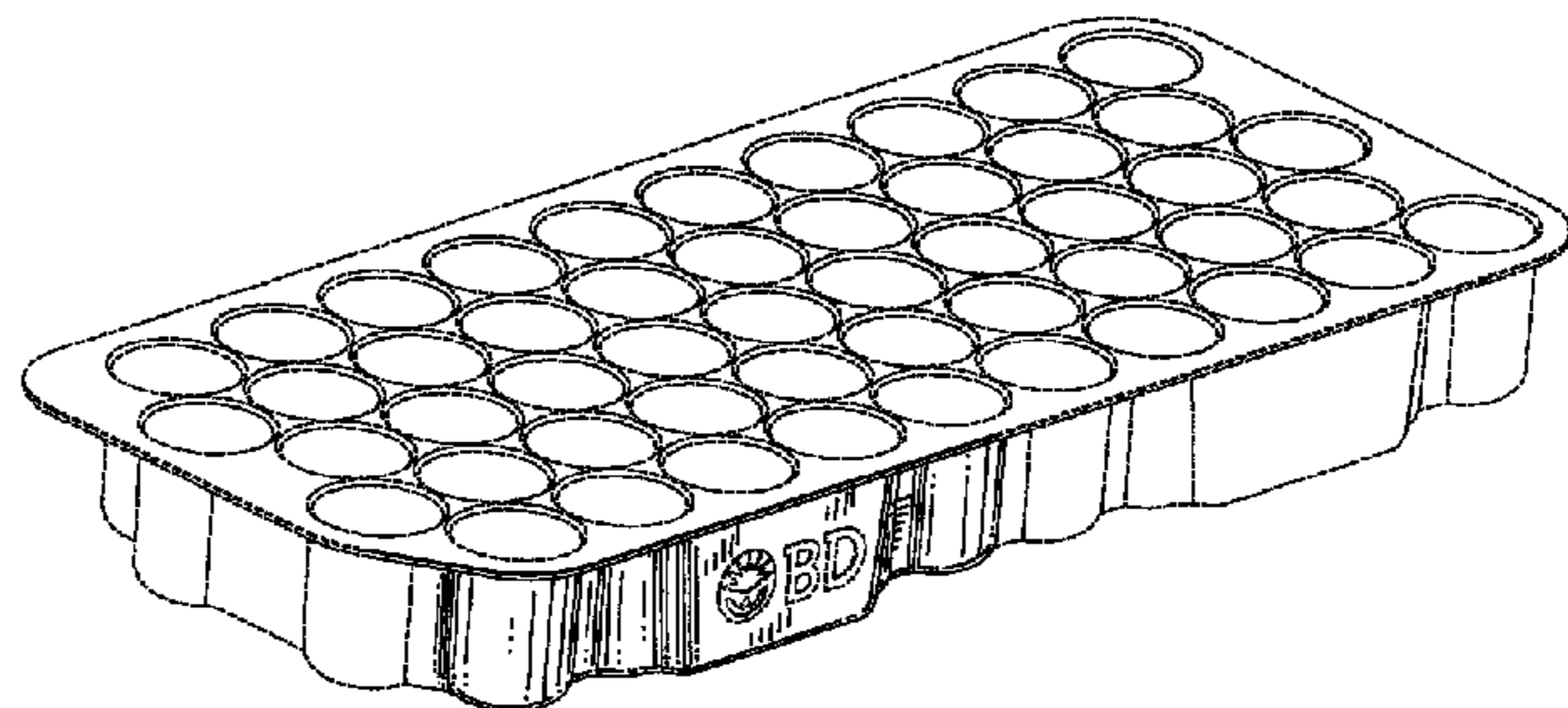
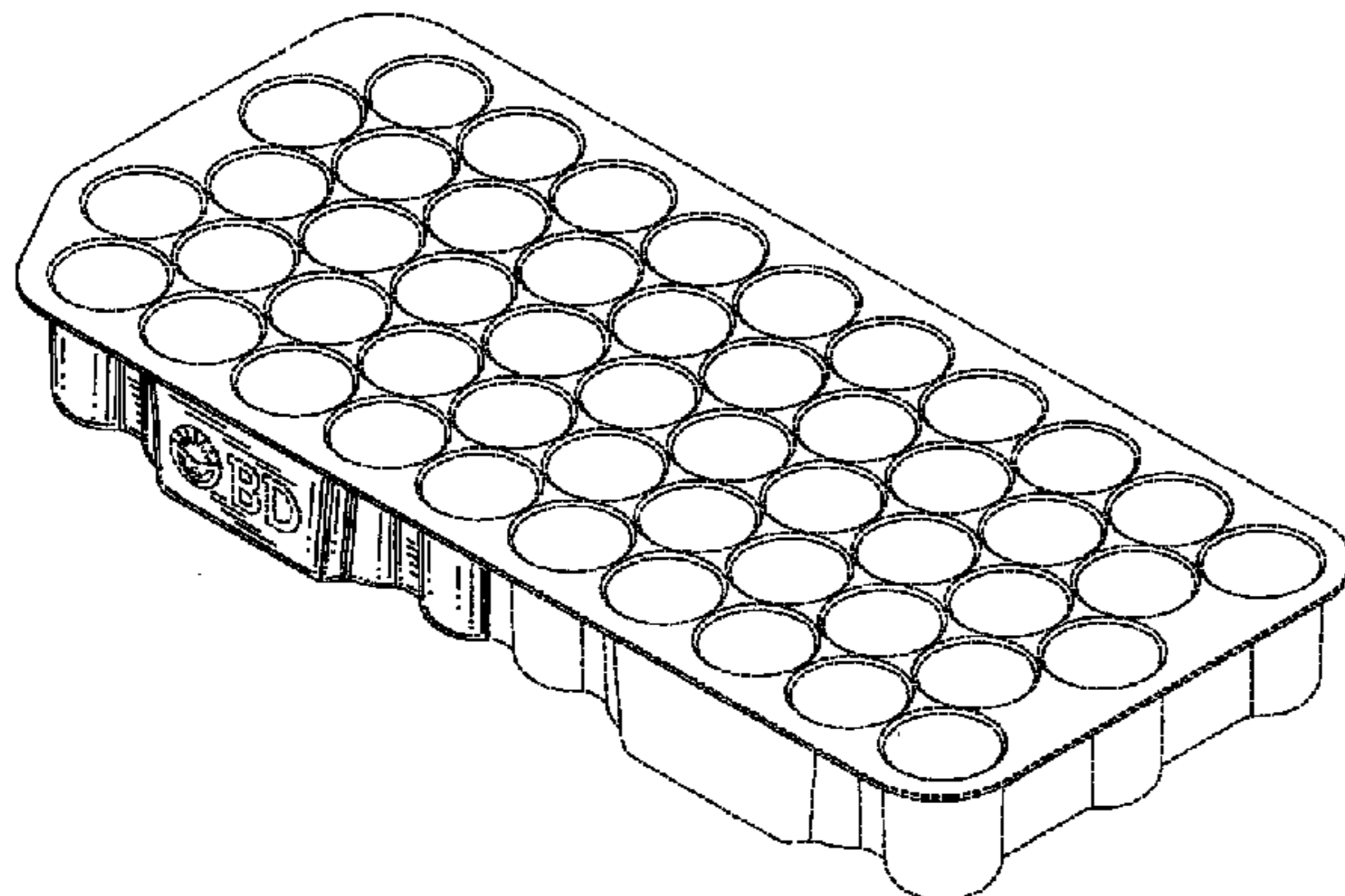
FIG. 6 is a bottom view of the transport tube holder assembly of FIG. 1 in accordance with an embodiment of the present invention.

FIG. 7 is a front view of the transport tube holder assembly of FIG. 1 in accordance with an embodiment of the present invention; and,

FIG. 8 is a rear view of the transport tube holder assembly of FIG. 1 in accordance with an embodiment of the present invention.

The broken lines shown in FIGS. 1-8 are provided for the purpose of showing environment only, and form no portion of the claimed design.

1 Claim, 6 Drawing Sheets



US D629,121 S

Page 2

U.S. PATENT DOCUMENTS

6,019,225 A * 2/2000 Kalmakis et al. 206/563
D448,854 S * 10/2001 Kuiper et al. D24/230
D461,554 S * 8/2002 Lafond et al. D24/230
D466,219 S * 11/2002 Wynschenk et al. D24/227
6,875,405 B1 * 4/2005 Mathus et al. 422/104
D529,622 S * 10/2006 Hadjis et al. D24/229
D533,948 S * 12/2006 Schaub et al. D24/229
D556,339 S * 11/2007 Coulling et al. D24/230

D574,505 S * 8/2008 Muller-Cohn et al. D24/216
D601,714 S * 10/2009 Lohn et al. D24/226

OTHER PUBLICATIONS

U.S. Appl. No. 29/364,213, filed Jun. 21, 2010, to Kenneth Karpiloff.
U.S. Appl. No. 29/354,047, filed Jan. 19, 2010, to Kenneth Karpiloff.
U.S. Appl. No. 29/354,051, filed Jan. 19, 2010, to Kenneth Karpiloff.

* cited by examiner

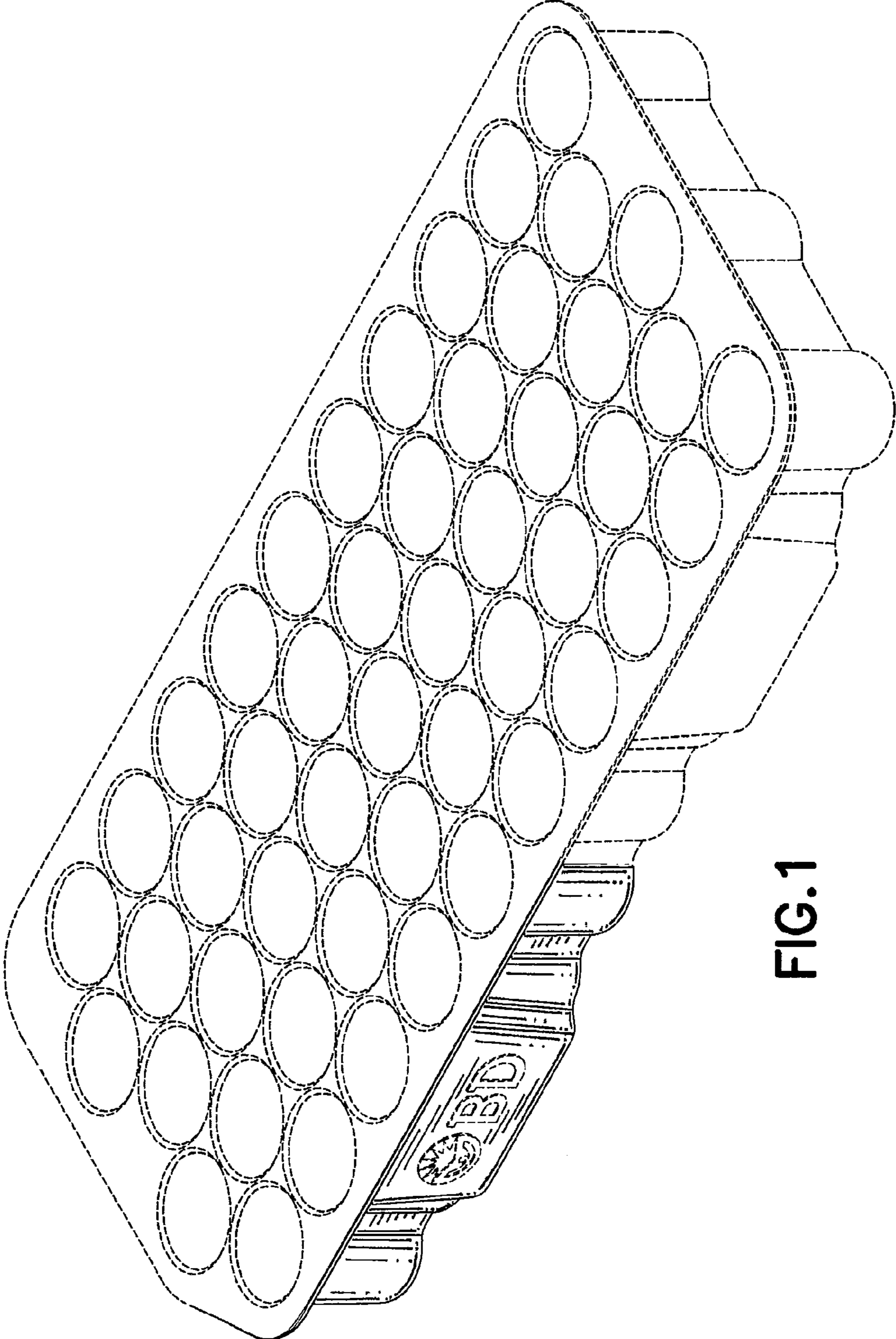


FIG. 1

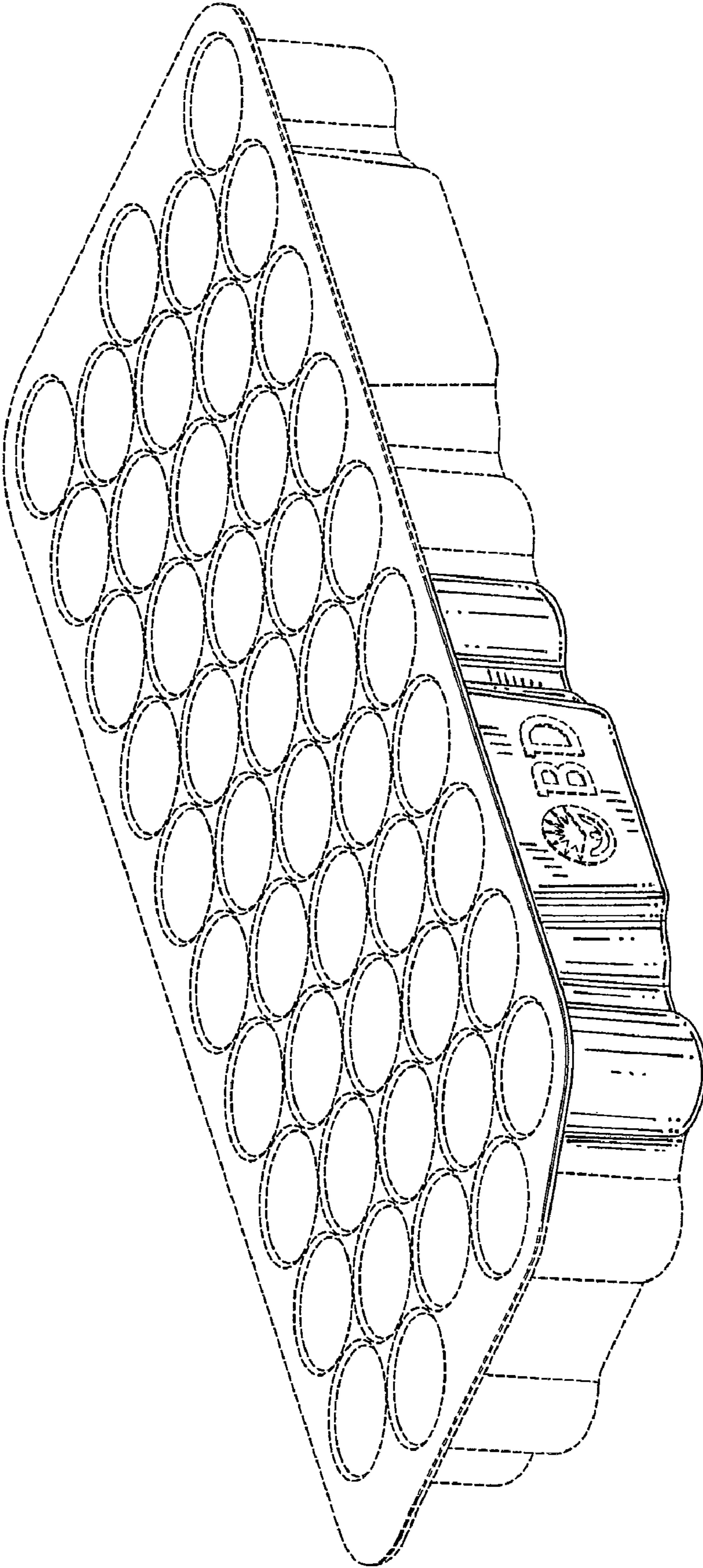


FIG.2

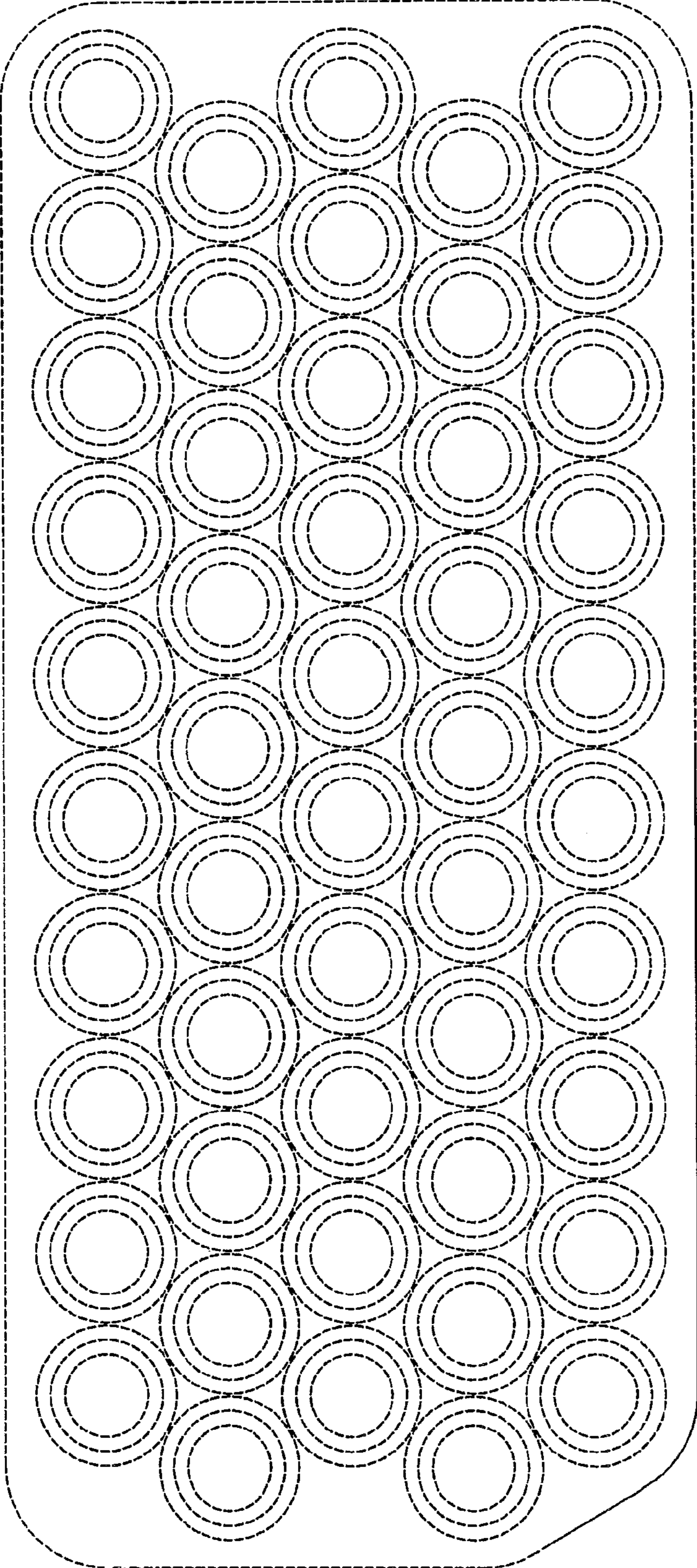


FIG. 3

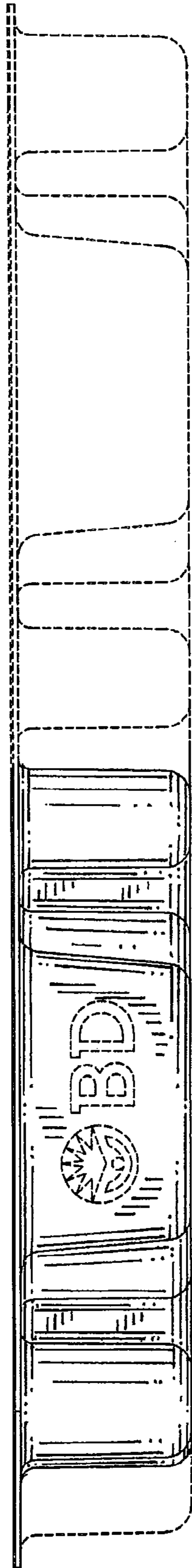


FIG. 4

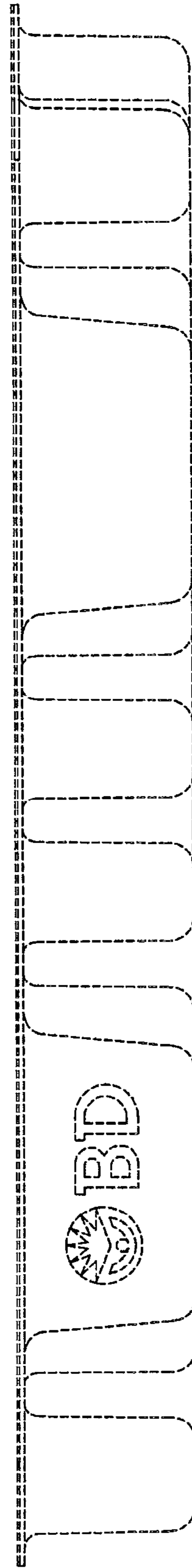


FIG. 5

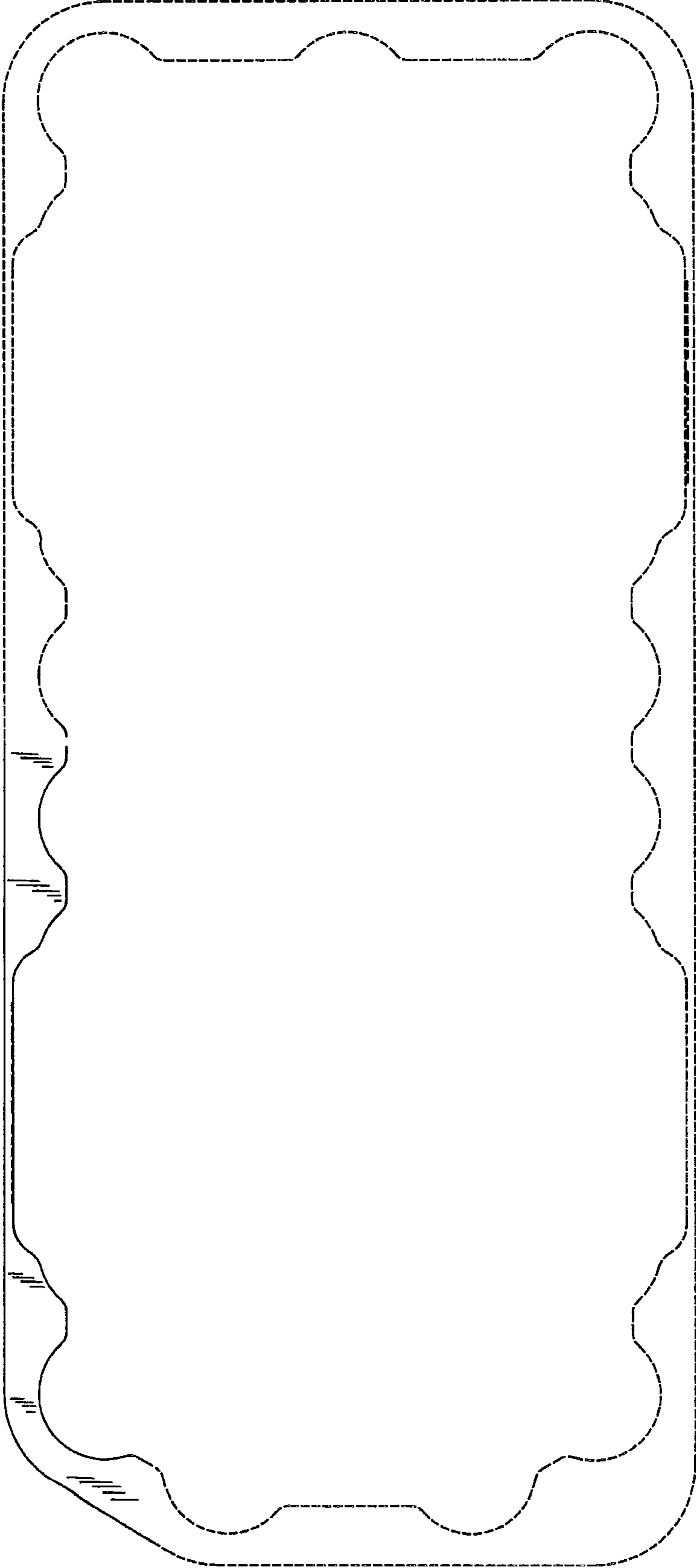


FIG.6

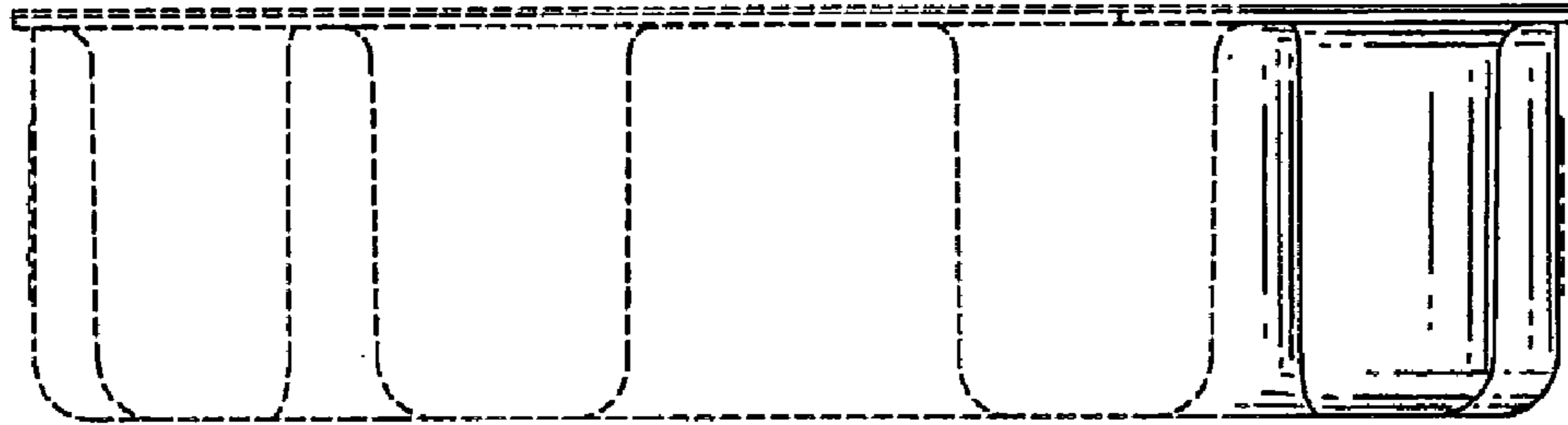


FIG. 7

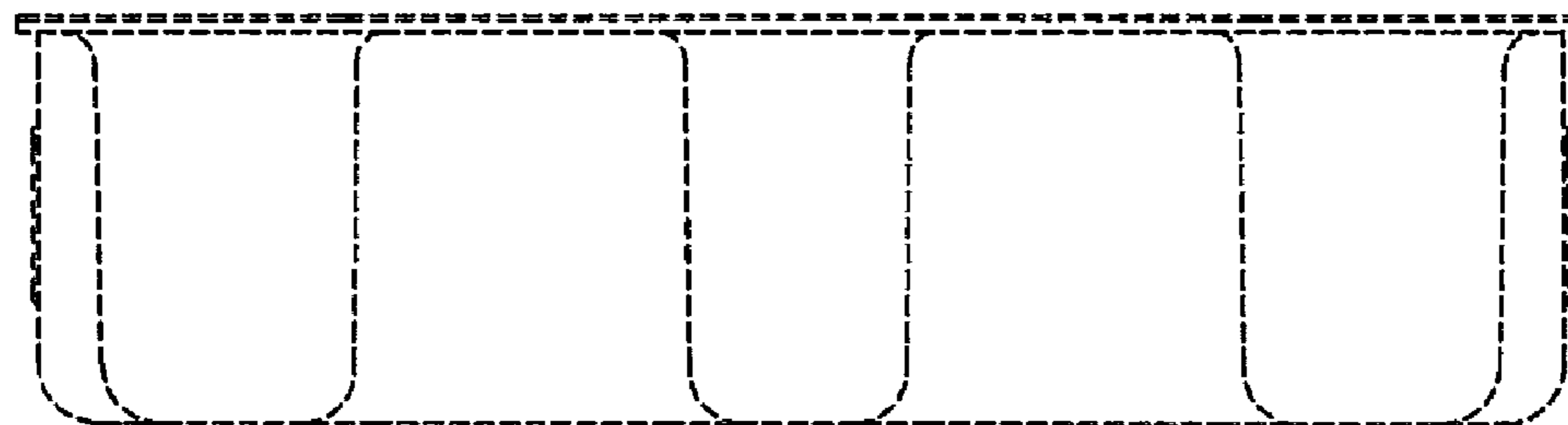


FIG. 8