



US00D629120S

(12) **United States Design Patent**
Lafond

(10) **Patent No.:** **US D629,120 S**

(45) **Date of Patent:** **** Dec. 14, 2010**

(54) **SAMPLING DISH**

* cited by examiner

(75) Inventor: **Andre Lafond**, St-Hilaire (CA)

Primary Examiner—T. Chase Nelson

Assistant Examiner—Anhdao Doan

(73) Assignee: **3088081 Canada Inc.**, St-Hilaire (CA)

(74) *Attorney, Agent, or Firm*—Goudreau Gage Dubuc;
Gwendoline Bruneau

(**) Term: **14 Years**

(57) **CLAIM**

(21) Appl. No.: **29/356,516**

The ornamental design for a sampling dish, as shown and described.

(22) Filed: **Feb. 26, 2010**

Related U.S. Application Data

DESCRIPTION

(62) Division of application No. 29/338,723, filed on Jun. 17, 2009, now Pat. No. Des. 613,874.

(51) **LOC (9) Cl.** **24-01**

(52) **U.S. Cl.** **D24/224**

(58) **Field of Classification Search** D24/216,
D24/222–226, 231, 232, 169; D10/81; D3/203.1–203.8;
422/99, 102; D9/503, 504, 505, 529, 549,
D9/756, 759, 760; 435/288.1, 288.3, 288.4,
435/304.1, 305.1, 305.3, 305.4

See application file for complete search history.

(56) **References Cited**

U.S. PATENT DOCUMENTS

3,165,450	A *	1/1965	Scheidt	D24/226
D258,761	S *	3/1981	Graham	D24/226
D316,752	S *	5/1991	Ricketts	D24/226
6,258,327	B1	7/2001	Tatum		
7,147,826	B2	12/2006	Haywood et al.		
D563,560	S *	3/2008	Copeland	D24/224
2007/0183938	A1	8/2007	Booker		
2008/0113425	A1	5/2008	Cortelazzo		
2009/0183581	A1	7/2009	Wilkinson et al.		

FIG. 1 is a perspective view of a sampling dish showing my new design;

FIG. 2 is a view from above of the sampling dish of FIG. 1;

FIG. 3 is a view from a first side of the sampling dish of FIG. 1;

FIG. 4 is a view from a second side of the sampling dish of FIG. 1;

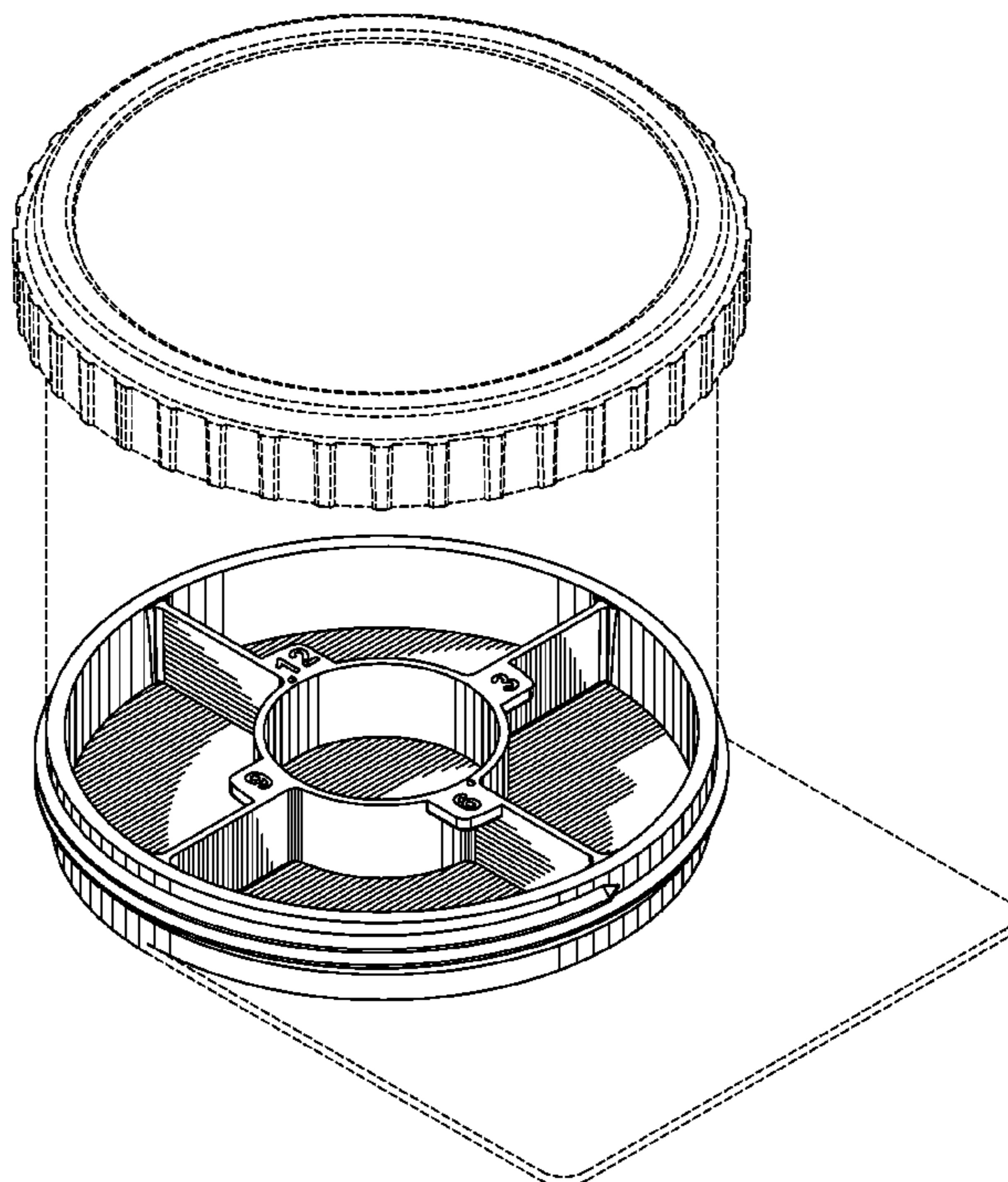
FIG. 5 is a view from the front of the sampling dish of FIG. 1;

FIG. 6 is a view from the back of the sampling dish of FIG. 1; and,

FIG. 7 is a view from the bottom of the sampling dish of FIG. 1.

The broken disclosure connecting the sides of the separated sampling dish components shown in FIG. 1 are included to show the order of assembly. All other broken lines in the drawing views are included for the purpose of illustrating portions of the of sampling dish that form no part of the claimed design.

1 Claim, 4 Drawing Sheets



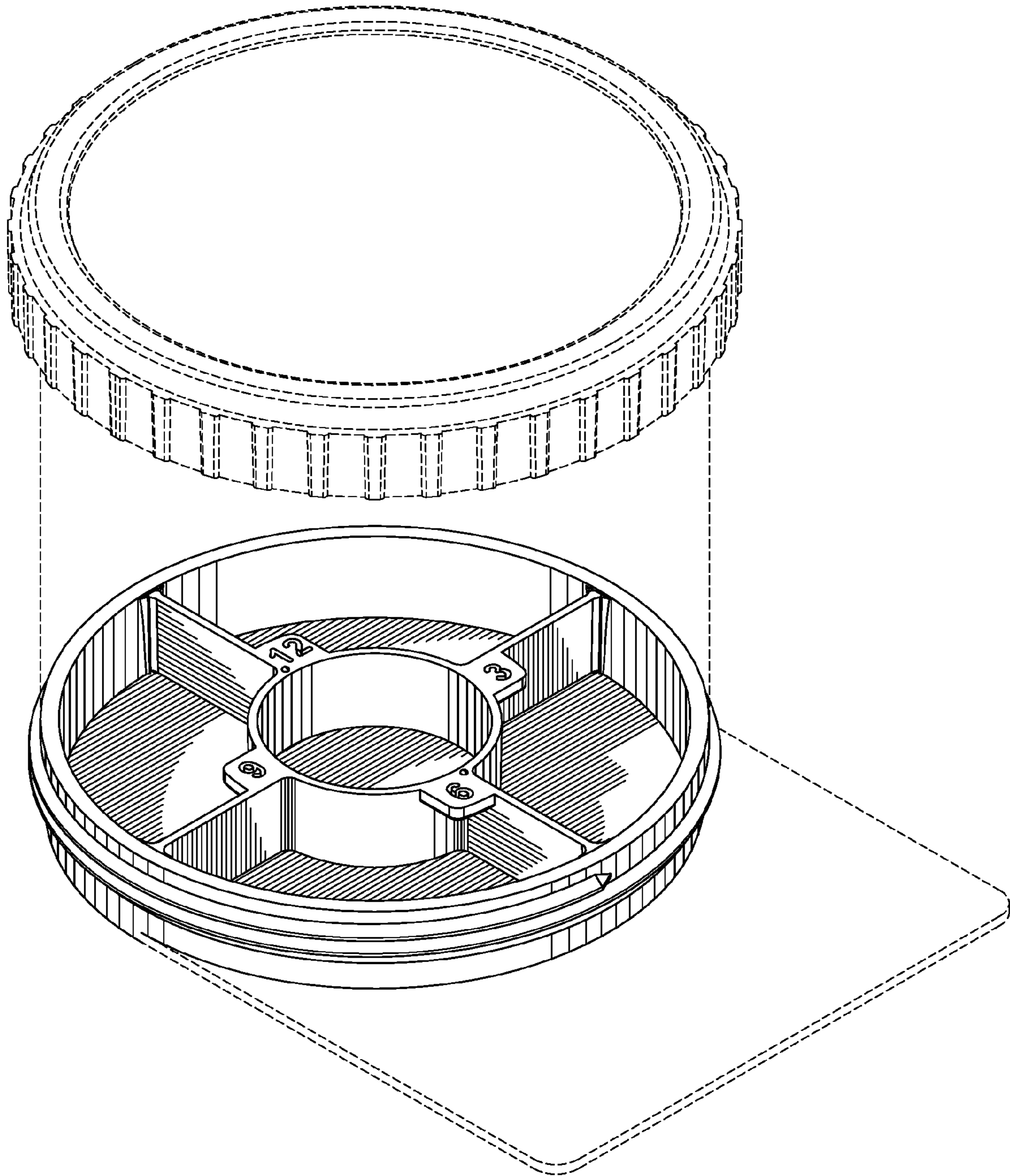


FIG. 1

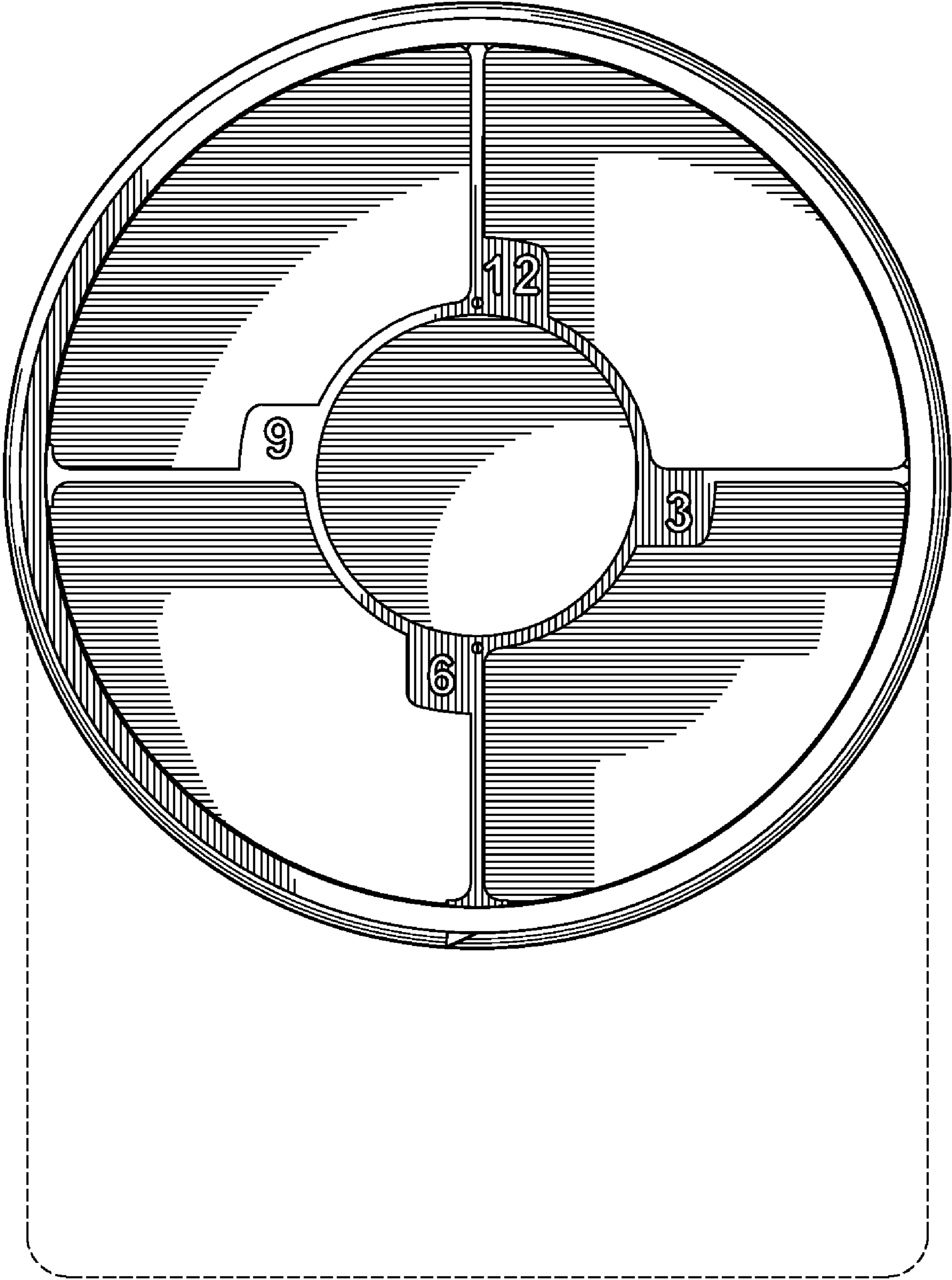


FIG. 2

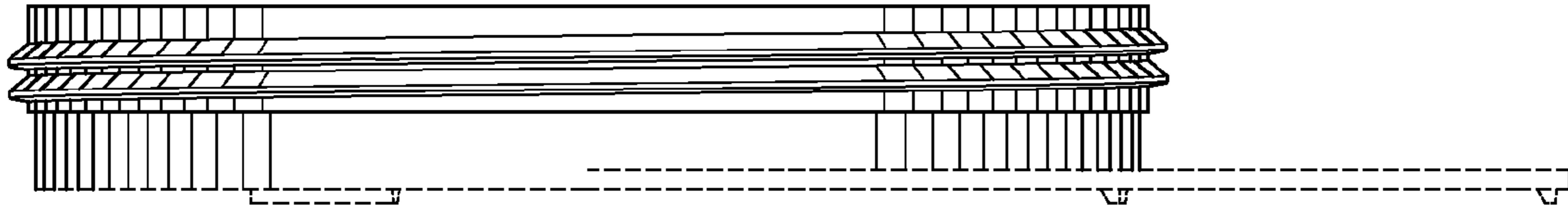


FIG. 3

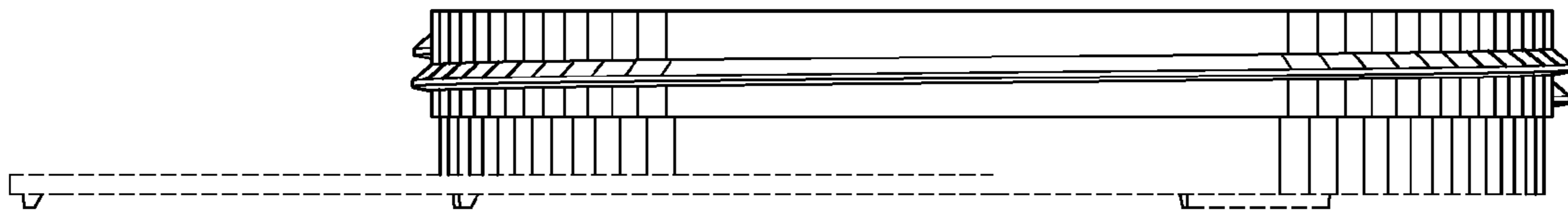


FIG. 4

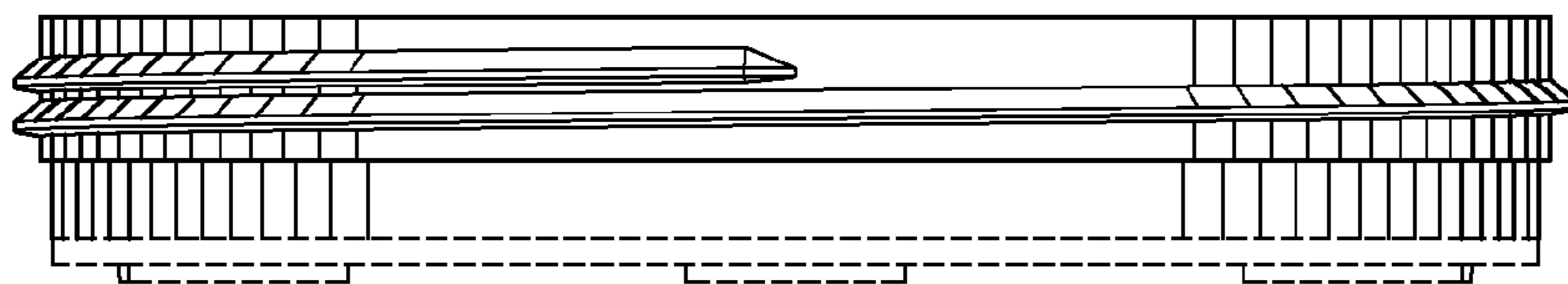


FIG. 5

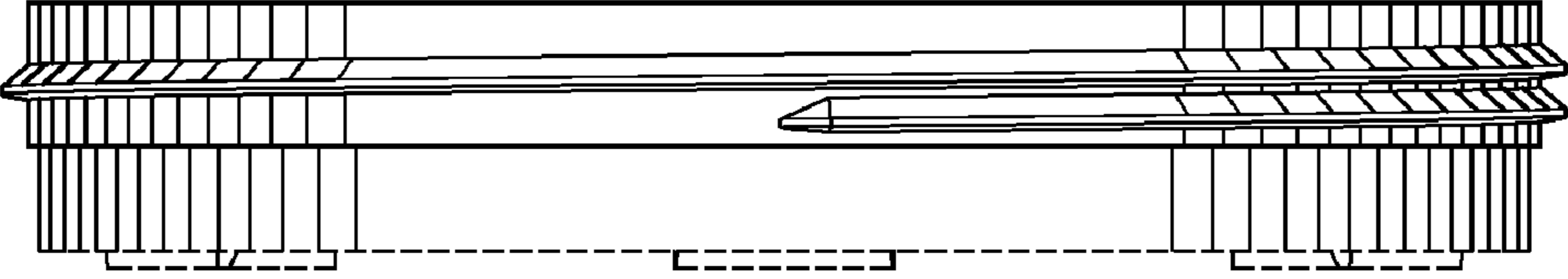


FIG. 6

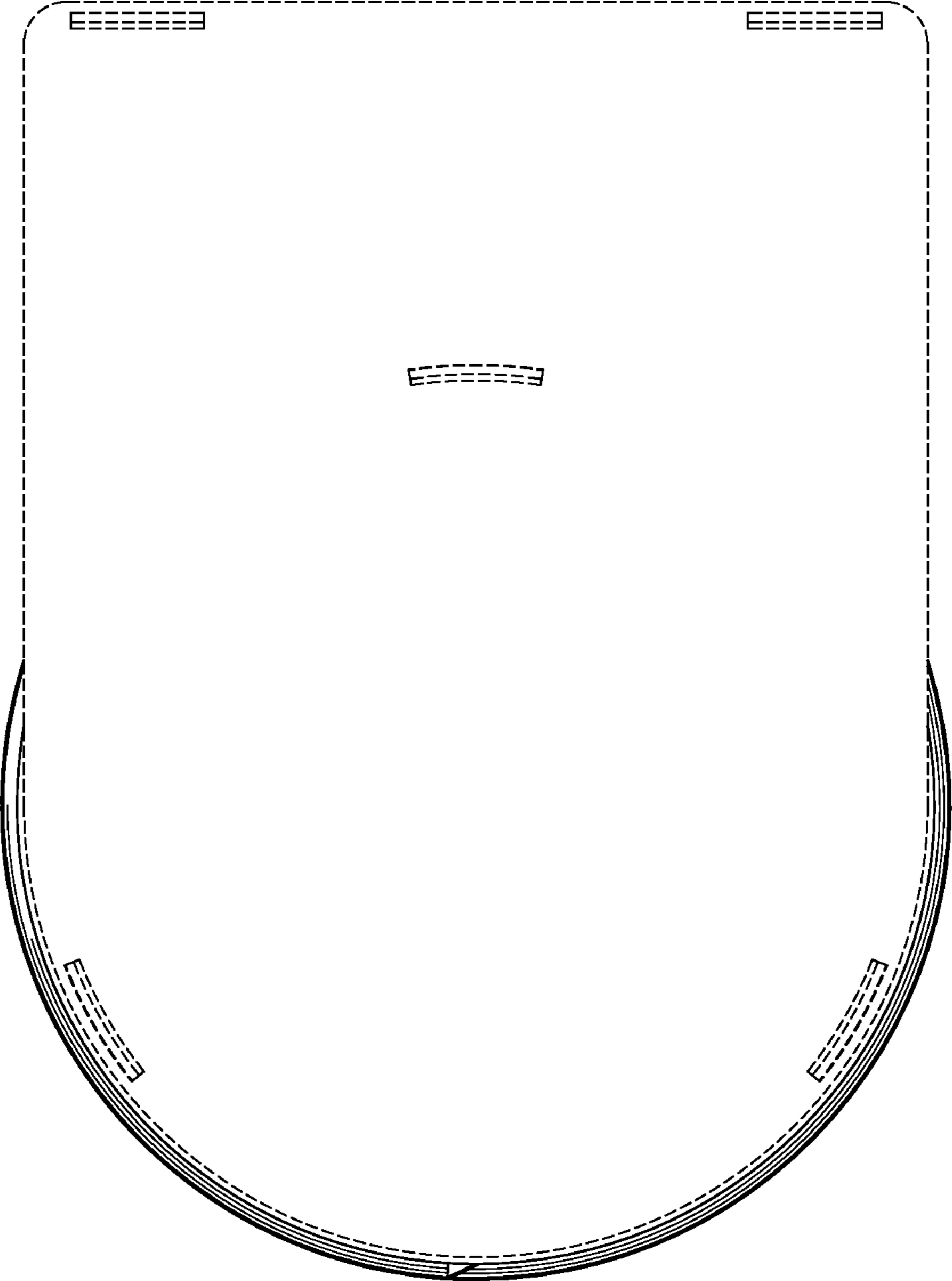


FIG. 7