



US00D629119S

(12) **United States Design Patent**  
**Motadel**

(10) **Patent No.:** **US D629,119 S**  
(45) **Date of Patent:** **\*\* Dec. 14, 2010**

(54) **REAGENT RESERVOIR**

(75) Inventor: **Arta Motadel**, San Diego, CA (US)

(73) Assignee: **Biotix, Inc.**, San Diego, CA (US)

(\*\*) Term: **14 Years**

(21) Appl. No.: **29/344,190**

(22) Filed: **Sep. 24, 2009**

(51) **LOC (9) Cl.** ..... **24-01**

(52) **U.S. Cl.** ..... **D24/224**

(58) **Field of Classification Search** ..... D24/216,  
D24/222–226, 231, 232, 121, 169; D10/81;  
D3/203.1–203.8; 422/99, 102; D9/503,  
D9/504, 505, 529, 549, 756, 759, 760; 435/288.1,  
435/288.3, 288.4, 304.1, 305.1, 305.3, 305.4  
See application file for complete search history.

(56) **References Cited**

**U.S. PATENT DOCUMENTS**

3,767,790	A	10/1973	Guttag	
3,860,490	A	1/1975	Guttag	
4,476,255	A	10/1984	Bailey et al.	
D290,400	S *	6/1987	Tong	..... D24/224
5,360,830	A	11/1994	Bastioli et al.	
5,457,527	A	10/1995	Manns et al.	
5,763,518	A	6/1998	Gnatowski et al.	
5,795,923	A	8/1998	Shahid	
D411,014	S *	6/1999	Berger et al.	..... D24/224
5,973,024	A	10/1999	Imashiro et al.	
6,107,378	A	8/2000	Imashiro et al.	
6,180,065	B1	1/2001	Homola	
6,617,449	B2	9/2003	Tanaka	
6,800,491	B2	10/2004	Ringleben et al.	
6,833,097	B2	12/2004	Miyachi	
6,846,860	B2	1/2005	Takahashi et al.	
7,129,190	B2	10/2006	Takahashi et al.	
D559,398	S *	1/2008	Maliakal	..... D24/232
7,332,214	B2	2/2008	Ozasa	

7,368,493 B2 5/2008 Takahashi et al.  
D599,031 S \* 8/2009 Kelly ..... D24/223  
2002/0183696 A1 12/2002 Yoon

(Continued)

**FOREIGN PATENT DOCUMENTS**

JP 08-012135 2/2008

(Continued)

**OTHER PUBLICATIONS**

International Search Report and Written Opinion, mailed on: Jun. 9, 2010 in International Application No. PCT/US2009/063762 filed on Nov. 9, 2009 and published as: WO 10/054337 on: May 14, 2010.

(Continued)

*Primary Examiner*—T. Chase Nelson  
*Assistant Examiner*—Anhdao Doan  
(74) *Attorney, Agent, or Firm*—Grant Anderson LLP

(57) **CLAIM**

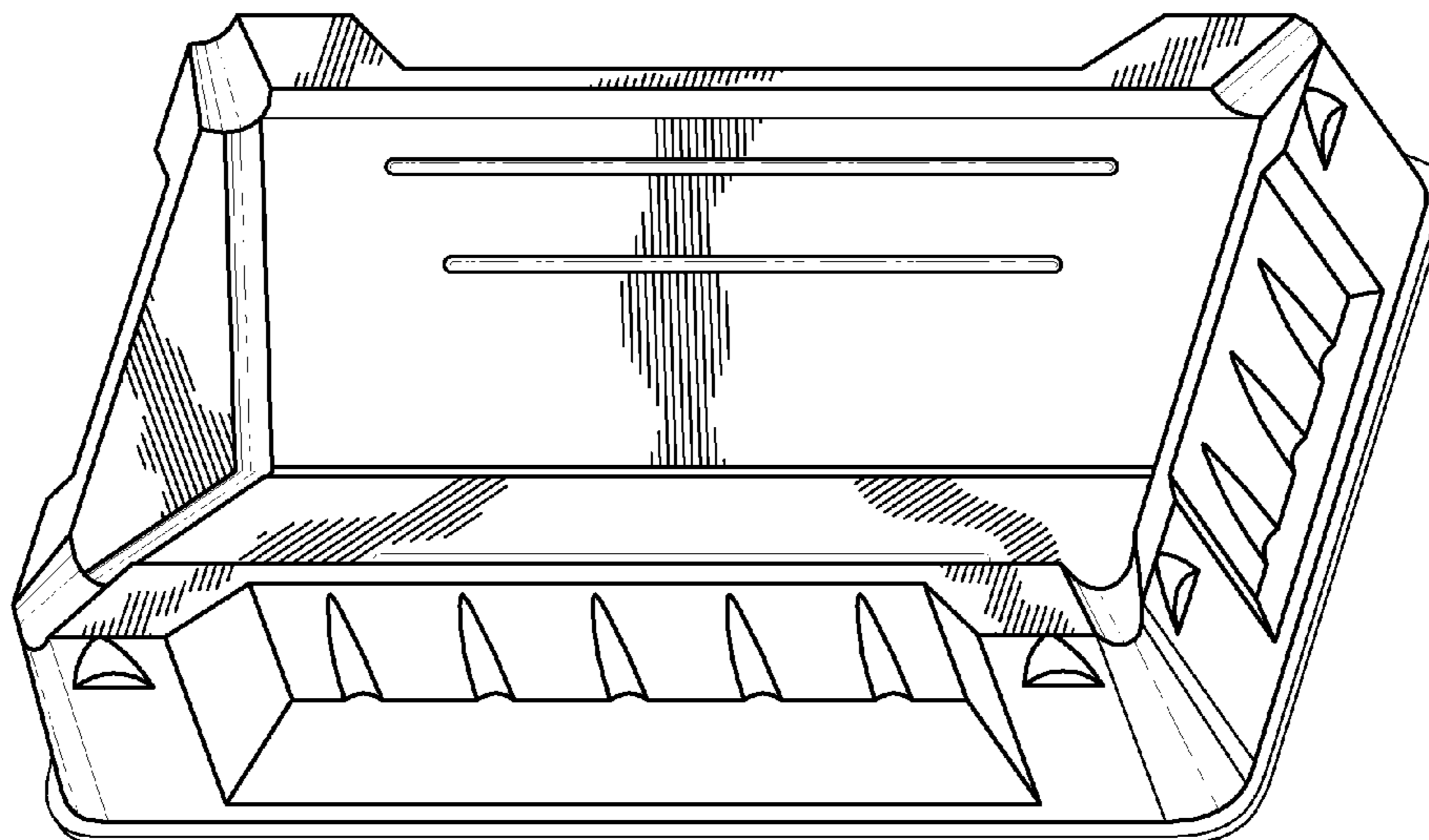
The ornamental design for a reagent reservoir, as shown and described.

**DESCRIPTION**

FIG. 1 is a perspective view of a reagent reservoir;  
FIG. 2 is a top view thereof;  
FIG. 3 is a side view thereof;  
FIG. 4 is an another side view thereof; and,  
FIG. 5 is a cross-sectional view thereof, taken along the line 5—5 in FIG. 2.

Broken lines, where utilized, are for illustrative purposes only, are not part of the claimed invention, and do not limit the claimed design to the features shown in broken lines.

**1 Claim, 3 Drawing Sheets**



# US D629,119 S

Page 2

---

## U.S. PATENT DOCUMENTS

2009/0004754 A1 1/2009 Oldenburg  
2009/0008405 A1\* 1/2009 Mathus et al. .... 422/102  
2010/0119417 A1 5/2010 Motadel

## FOREIGN PATENT DOCUMENTS

WO WO 87/05533 9/1987  
WO WO 95/03538 2/1995

WO WO 97/22754 6/1997  
WO WO 02/083311 10/2002  
WO WO 2010/054337 5/2010

## OTHER PUBLICATIONS

Reagent Reservoir Catalog, Fluid Screening, downloaded from internet address <http://www.fluidx.com>, FluidX 2009.

\* cited by examiner

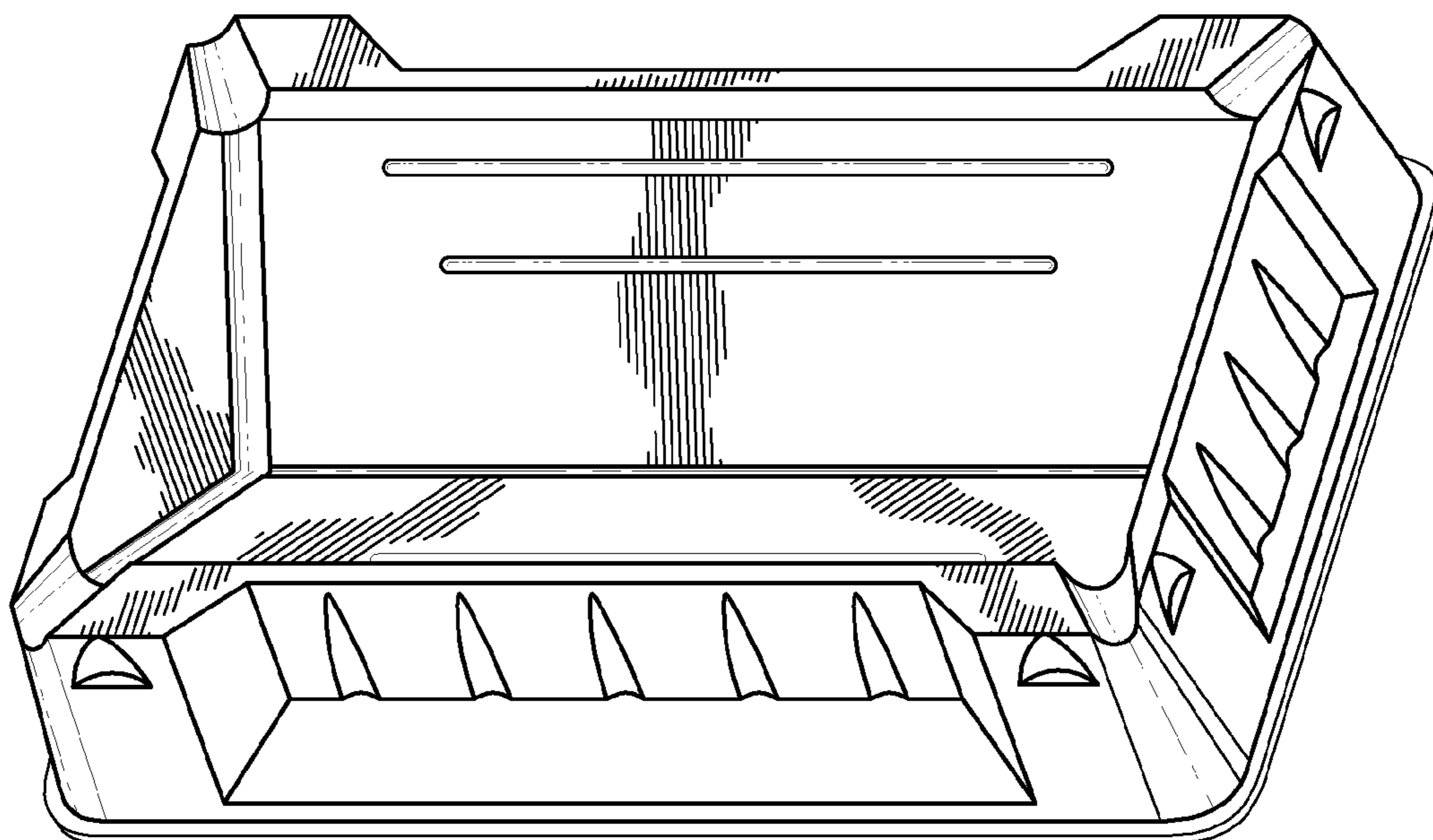


FIG. 1

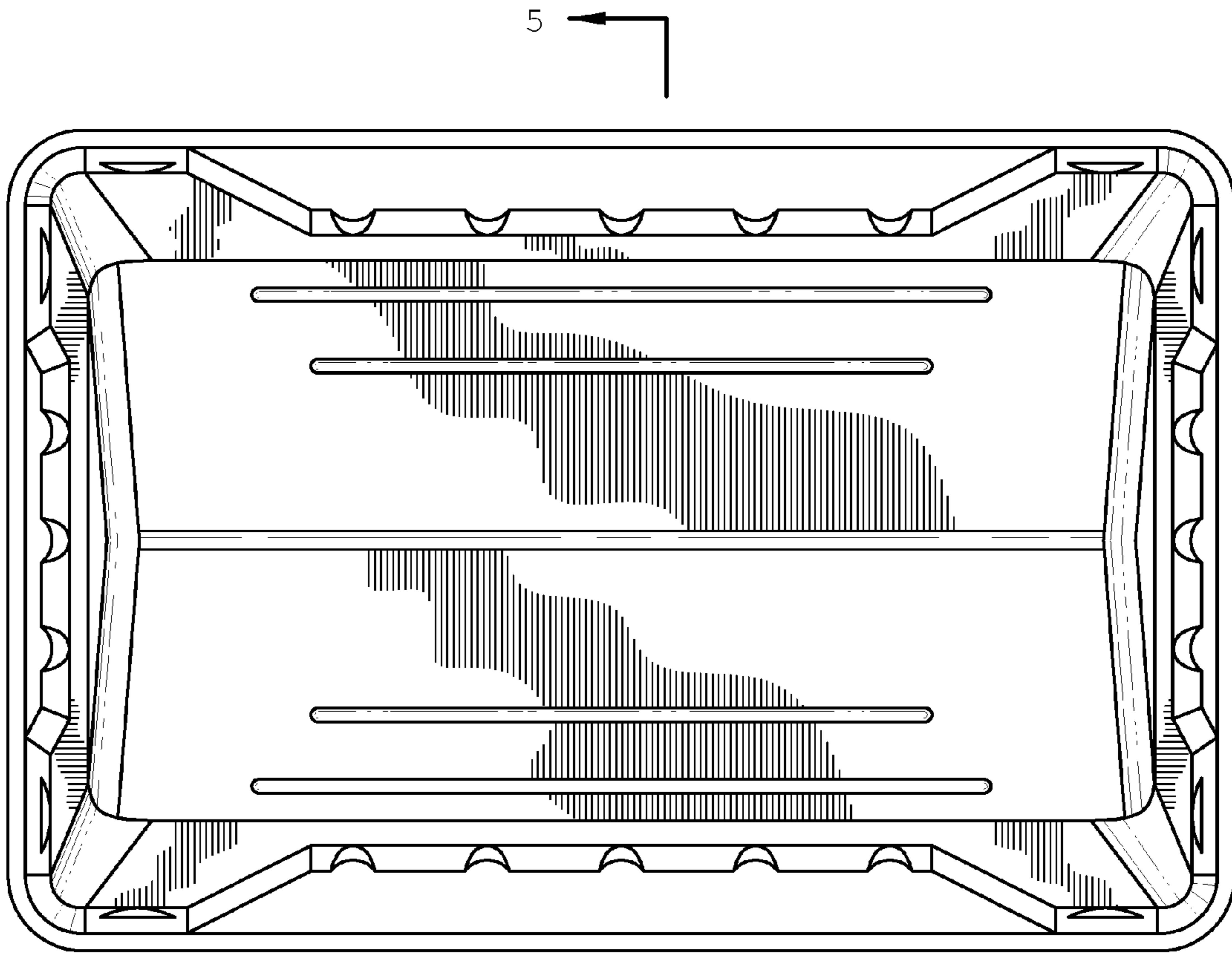


FIG. 2

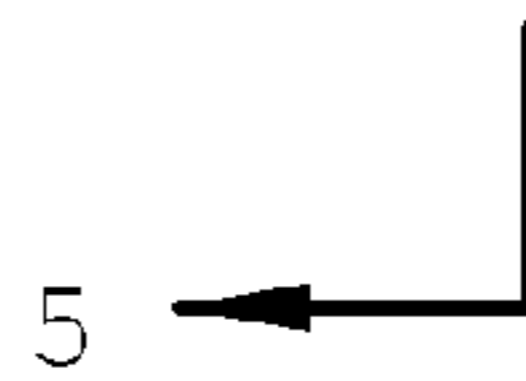
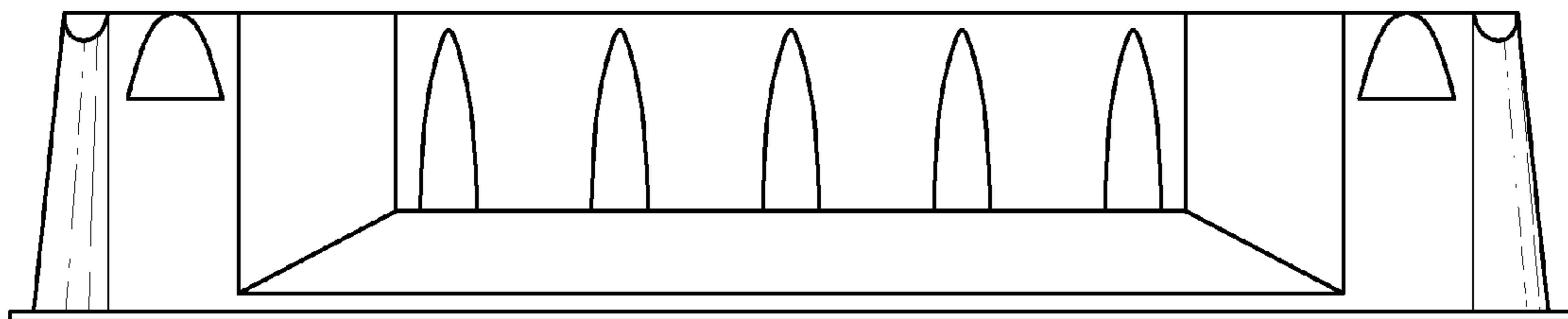


FIG. 3



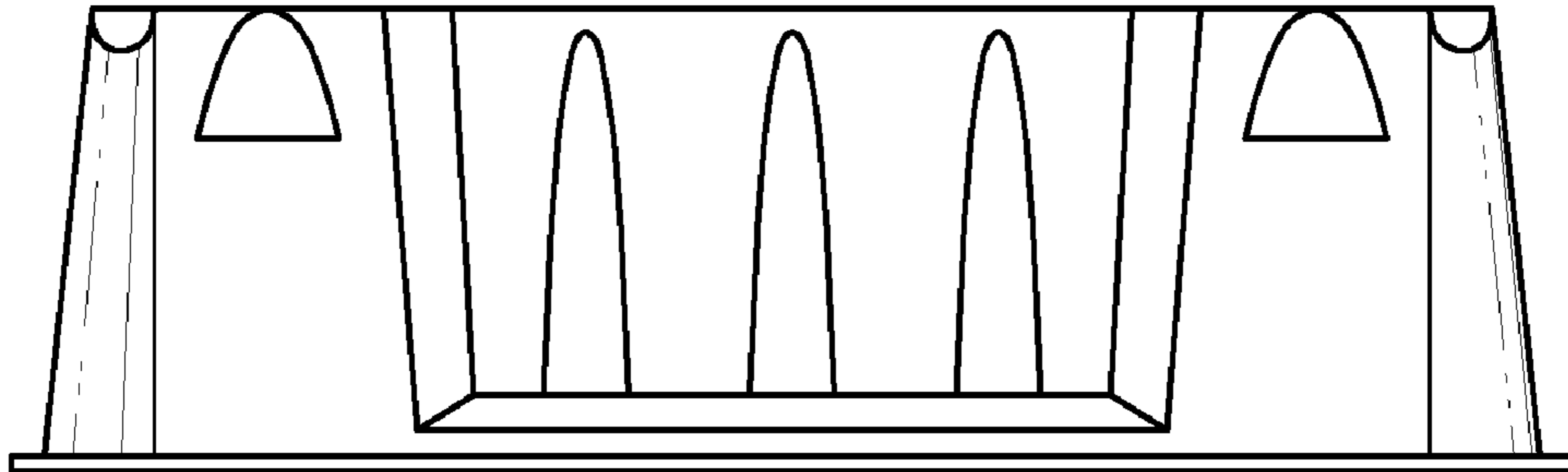


FIG. 4

FIG. 5

