



US00D629117S

(12) **United States Design Patent**
Walker

(10) **Patent No.:** **US D629,117 S**

(45) **Date of Patent:** **** Dec. 14, 2010**

(54) **SPA**

(76) **Inventor:** **Victor Lee Walker**, 25131 Calle
Entradero, Murrieta, CA (US) 92563

(**) **Term:** **14 Years**

(21) **Appl. No.:** **29/335,778**

(22) **Filed:** **Apr. 21, 2009**

(51) **LOC (9) Cl.** **23-02**

(52) **U.S. Cl.** **D24/204**

(58) **Field of Classification Search** D24/204,
D24/201, 203, 205; D7/538, 545, 586, 587;
D9/414, 424, 428, 430, 432; D11/143, 155,
D11/156; D23/277, 280.1; D25/2; 4/492,
4/541.1, 541.2, 541.3, 541.4, 541.5, 541.6,
4/545, 546, 578.1, 579; 220/659; 601/154,
601/156, 157

See application file for complete search history.

(56)

References Cited

U.S. PATENT DOCUMENTS

D118,230 S *	12/1939	Fader	D11/156
D135,619 S *	5/1943	Naranick	D9/424
3,337,384 A *	8/1967	Wright	156/425
3,461,009 A *	8/1969	Snyder et al.	156/69
D244,314 S *	5/1977	Stangle	D24/205
D247,977 S *	5/1978	Jacuzzi	D24/205
D251,610 S *	4/1979	Moltke	D24/205
D260,429 S *	8/1981	Myers	D24/205
D265,344 S *	7/1982	Topete	D24/205
D274,455 S *	6/1984	Cuttriss	D23/280.1
D288,125 S *	2/1987	Watkins	D24/204

D323,378 S *	1/1992	Delepine	D23/280.1
D324,626 S *	3/1992	Giugiaro	D7/538
D367,708 S *	3/1996	Lawing et al.	D24/204
D368,530 S *	4/1996	Lawing et al.	D24/204
5,527,412 A *	6/1996	Hansen et al.	156/215
6,058,521 A *	5/2000	O'Brien	4/492
D462,113 S *	8/2002	Marshall et al.	D23/280.1
D509,106 S *	9/2005	de Groote et al.	D7/587
D522,661 S *	6/2006	Loyd	D24/204
D564,639 S *	3/2008	Bruce	D23/280.1
D565,356 S *	4/2008	Mellen et al.	D7/586
D575,406 S *	8/2008	Layfield et al.	D24/204

* cited by examiner

Primary Examiner—Prabhakar Deshmukh

Assistant Examiner—Derrick Holland

(74) *Attorney, Agent, or Firm*—Fitch, Even, Tabin &
Flannery

(57)

CLAIM

The ornamental design for a spa, as shown and described.

DESCRIPTION

FIG. 1 is a perspective view of a spa of my new design;

FIG. 2 is a front elevation view thereof, with the rear, left side
and right side elevation views being identical;

FIG. 3 is a top plan view thereof; and,

FIG. 4 is a bottom plan view thereof.

Portions of the spa, such as the interior of the spa and the
supports for the spa, shown in broken lines in the figures are
for illustrative purposes only and form no part of the claimed
design.

1 Claim, 2 Drawing Sheets

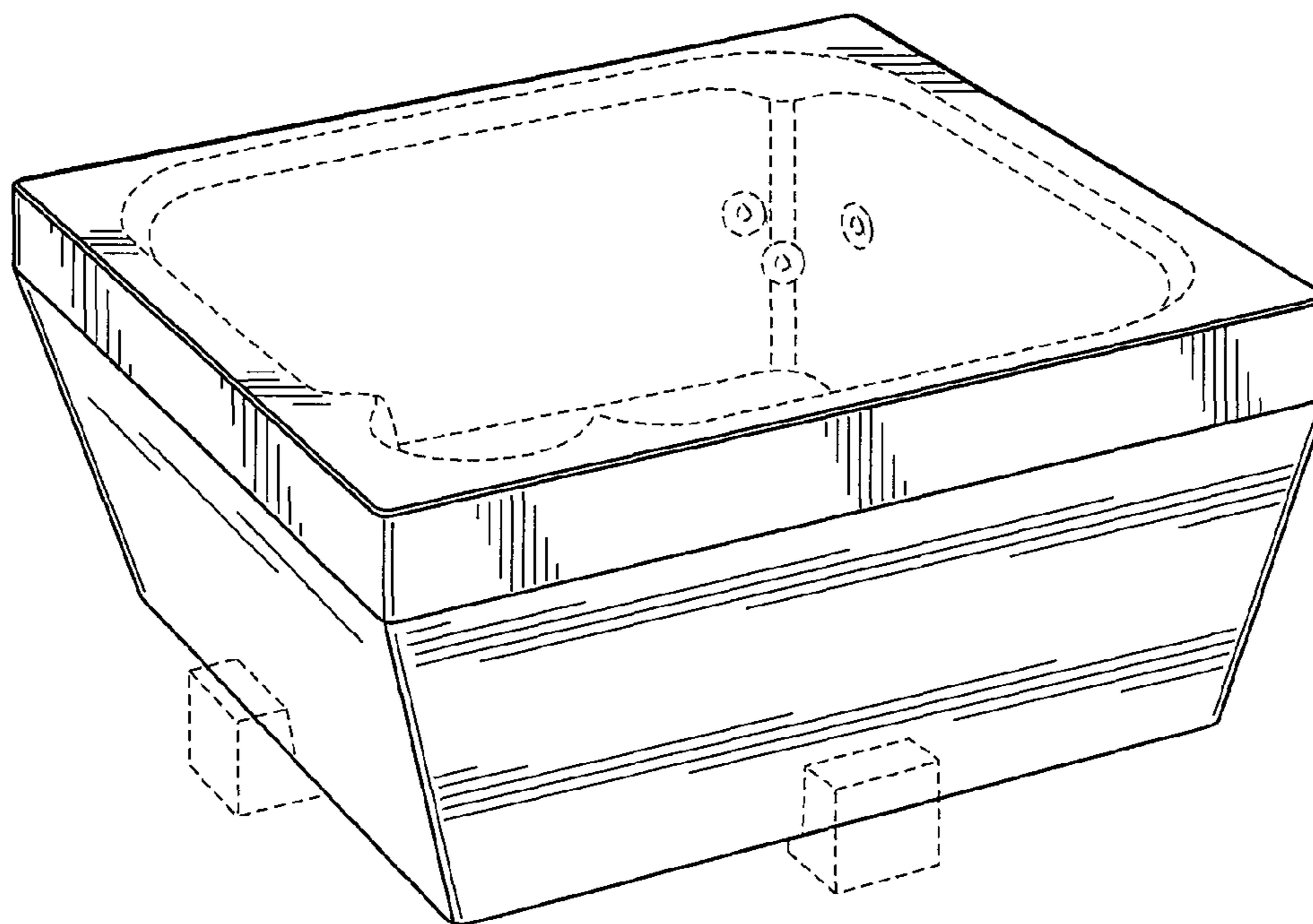


Fig. 1

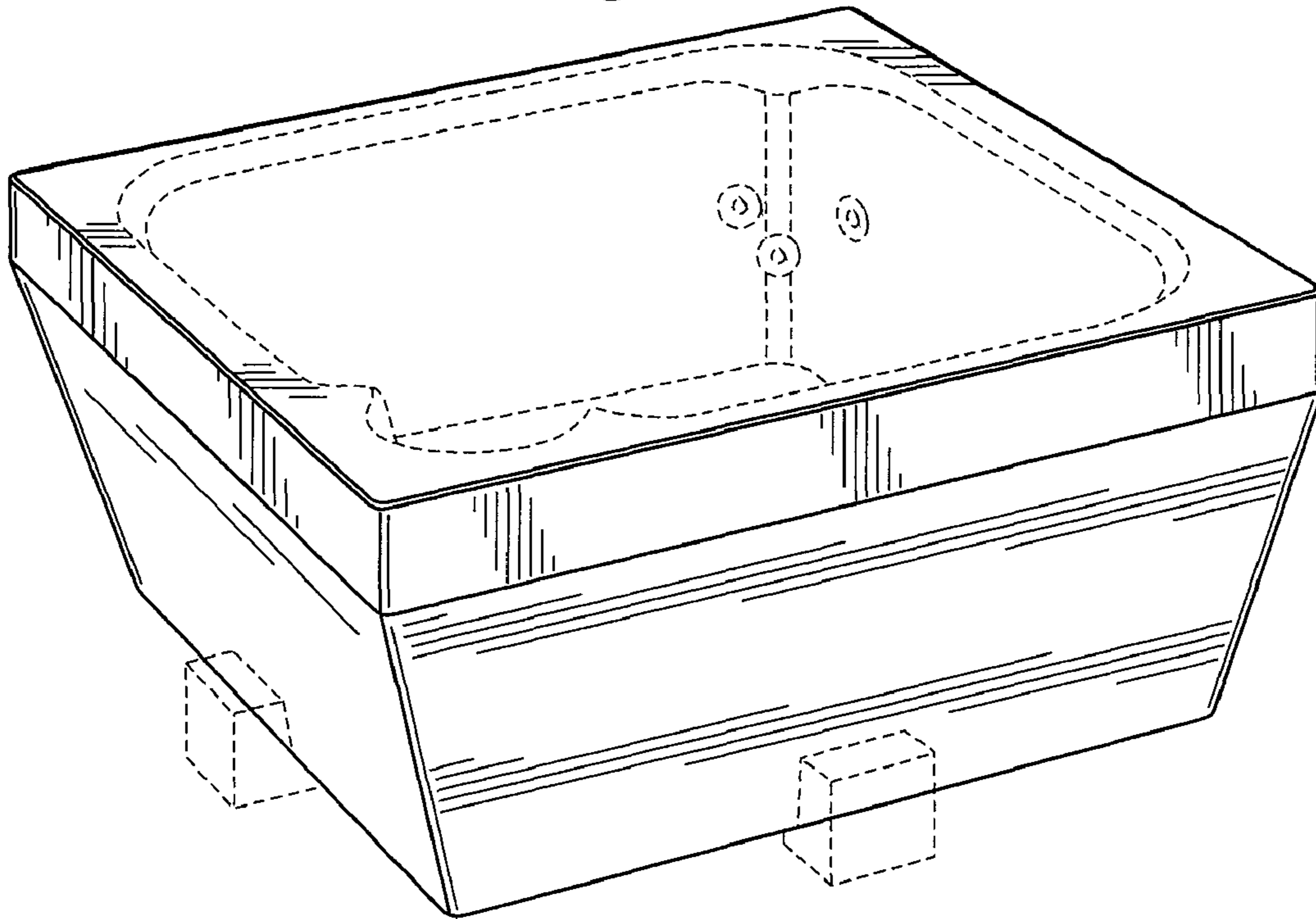


Fig. 2

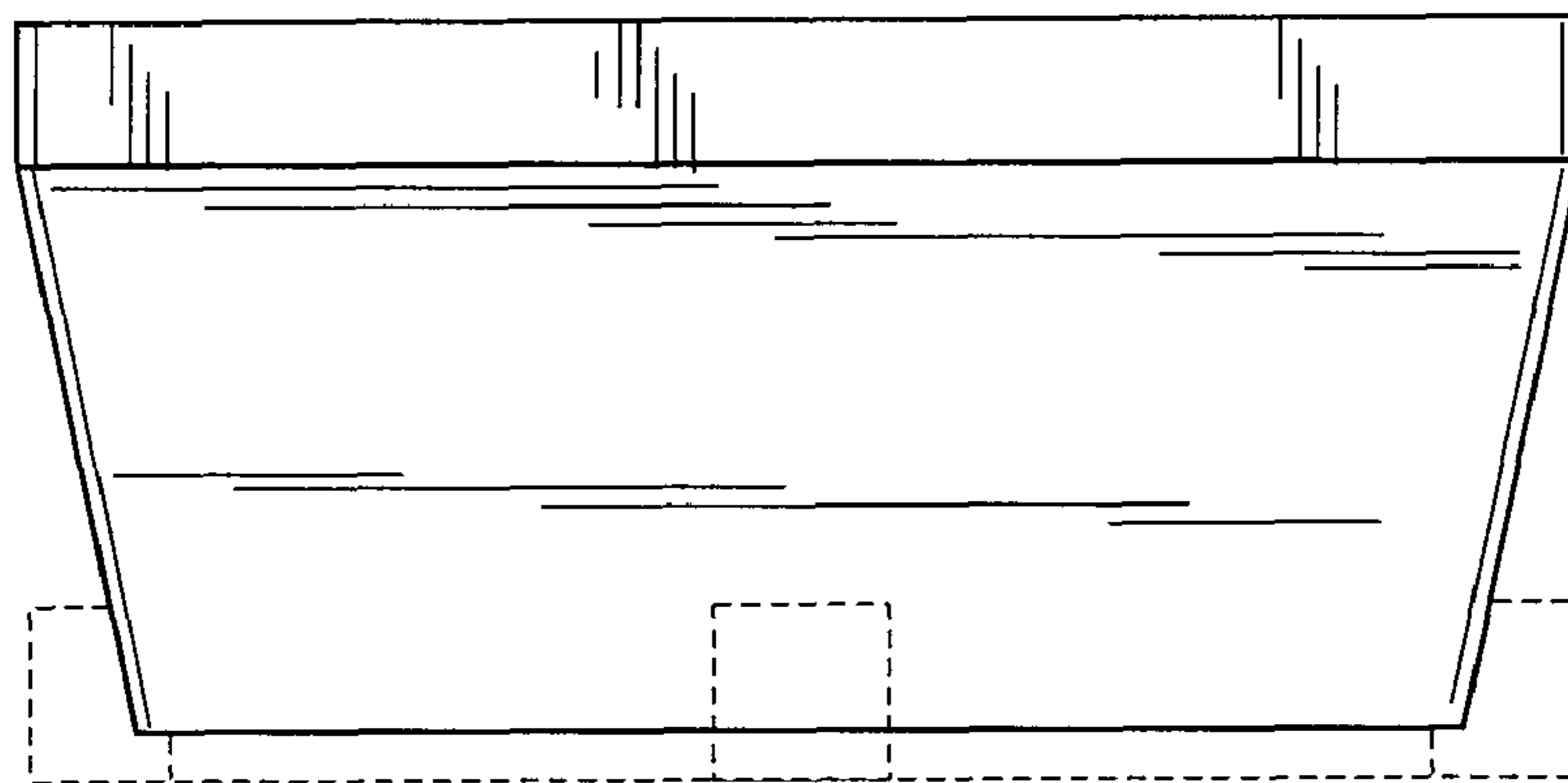


Fig. 3

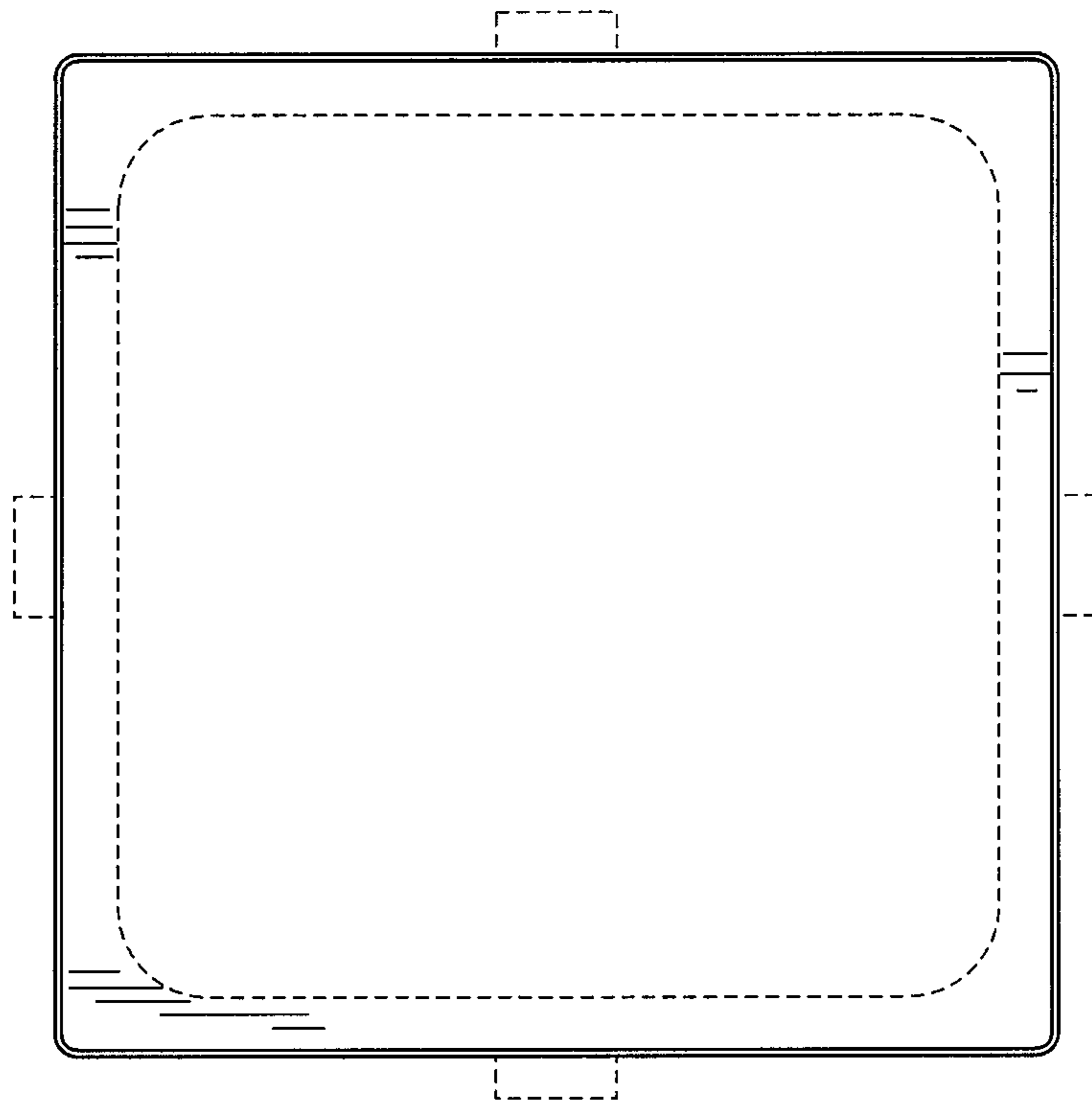


Fig. 4

