



US00D629115S

(12) **United States Design Patent**  
**Robertson**

(10) **Patent No.:** **US D629,115 S**

(45) **Date of Patent:** **\*\* Dec. 14, 2010**

(54) **BACK BRACE**

(75) Inventor: **Brice Robertson**, Rancho Santa Margarita, CA (US)

(73) Assignee: **Ossur HF**, Reykjavik (IS)

(\*\*) Term: **14 Years**

(21) Appl. No.: **29/342,639**

(22) Filed: **Aug. 28, 2009**

(51) **LOC (9) Cl.** ..... **24-01**

(52) **U.S. Cl.** ..... **D24/190**

(58) **Field of Classification Search** ..... D24/188-190, D24/200, 206; D29/100, 101.1, 101.3, 101.5; D2/624, 627, 629, 634, 635; 602/5, 19, 13; 128/DIG. 20, 100, 101.1-101.5; 2/44-45, 2/300, 338, 463-465; D21/662

See application file for complete search history.

(56) **References Cited**

U.S. PATENT DOCUMENTS

- 4,552,135 A \* 11/1985 Racz et al. .... 602/13
- 4,559,933 A 12/1985 Batard et al.
- D296,930 S \* 7/1988 Carabelli ..... D24/190
- 4,991,573 A \* 2/1991 Miller ..... 602/19
- D352,114 S \* 11/1994 Nicholson ..... D24/190
- 5,450,858 A \* 9/1995 Zablotzky et al. .... 128/876
- 5,484,395 A 1/1996 DeRoche
- D381,053 S \* 7/1997 Bleiweis ..... D21/683
- RE35,940 E 10/1998 Heinz et al.
- 5,843,008 A \* 12/1998 Gerhard ..... 602/5
- 6,099,490 A 8/2000 Turtzo
- 6,190,343 B1 2/2001 Heinz et al.
- 6,213,968 B1 4/2001 Heinz et al.
- 6,322,529 B1 11/2001 Chung
- 6,517,502 B2 2/2003 Heyman et al.
- 6,602,214 B2 8/2003 Heinz et al.
- 6,609,642 B2 8/2003 Heinz et al.
- 6,637,429 B2 \* 10/2003 Mundrick et al. .... 128/96.1
- 6,676,620 B2 1/2004 Schwenn et al.
- 6,702,770 B2 3/2004 Bremer et al.
- D496,143 S \* 9/2004 Noell et al. .... D2/627

- 6,923,779 B1 \* 8/2005 Choiniere ..... 602/19
- 6,926,685 B1 8/2005 Modglin
- 7,001,348 B2 2/2006 Garth et al.
- 7,083,585 B2 8/2006 Latham
- 7,101,348 B2 9/2006 Garth et al.
- 7,118,543 B2 10/2006 Telles et al.
- 7,186,229 B2 3/2007 Schwenn et al.
- 7,201,727 B2 4/2007 Schwenn et al.

(Continued)

*Primary Examiner*—Susan E Krakower

(74) *Attorney, Agent, or Firm*—Bacon & Thomas, PLLC

(57) **CLAIM**

The ornamental design for a back brace, as shown and described.

**DESCRIPTION**

FIG. 1 is a front perspective view of a back brace, showing my design.

FIG. 2 is a rear perspective view of the back brace of FIG. 1.

FIG. 3 is a front elevational view of the back brace of FIG. 1.

FIG. 4 is a rear elevational view of the back brace of FIG. 1.

FIG. 5 is a top plan view of the back brace of FIG. 1.

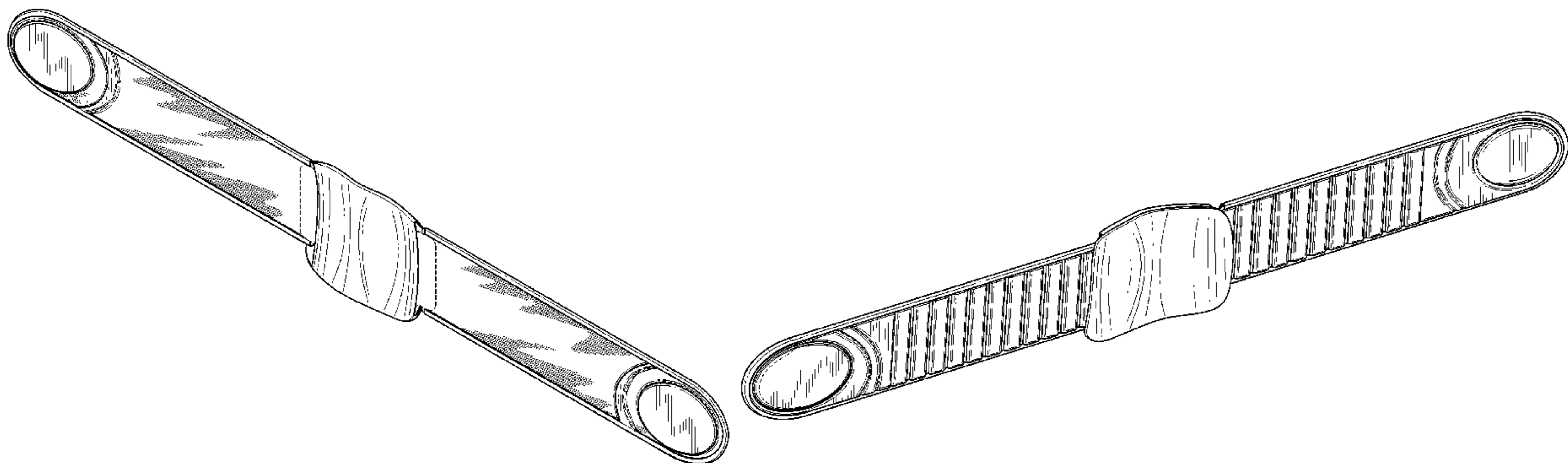
FIG. 6 is a bottom plan view of the back brace of FIG. 1.

FIG. 7 is a first side elevational view of the back brace of FIG. 1; and,

FIG. 8 is a second side elevational view of the back brace of FIG. 1.

The broken lines illustrate environmental structure which forms no part of the claimed design.

**1 Claim, 5 Drawing Sheets**



# US D629,115 S

Page 2

---

## U.S. PATENT DOCUMENTS

D552,398 S *	10/2007	Lakomy .....	D6/601	D565,740 S *	4/2008	Sybrandts .....	D24/209
7,306,571 B2	12/2007	Schwenn et al.		7,473,235 B2	1/2009	Schwenn et al.	
7,316,660 B1	1/2008	Modglin		2005/0251074 A1	11/2005	Latham	
7,320,670 B1	1/2008	Modglin		2005/0267390 A1	12/2005	Garth et al.	
7,329,231 B2	2/2008	Frank		2006/0052733 A1	3/2006	Schwenn et al.	
				2009/0192425 A1	7/2009	Garth et al.	

\* cited by examiner

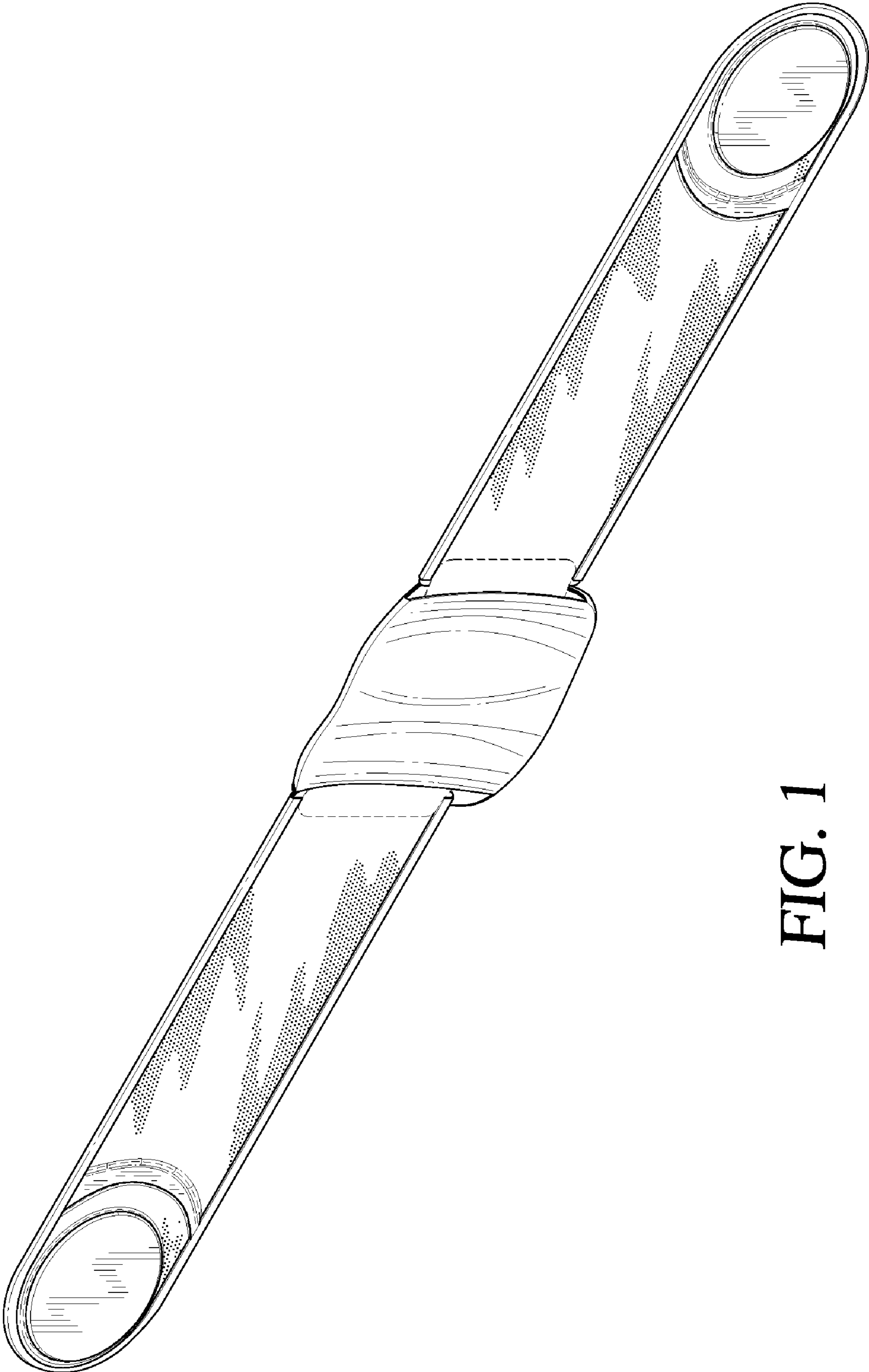


FIG. 1

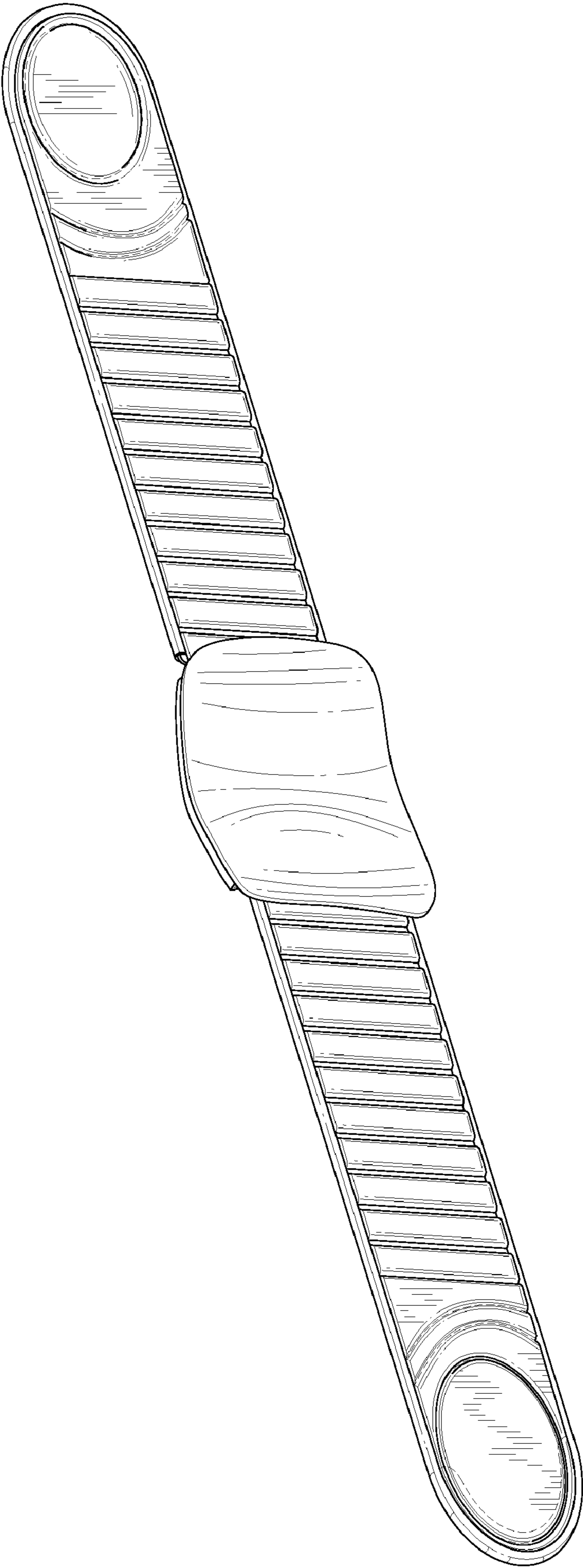


FIG. 2

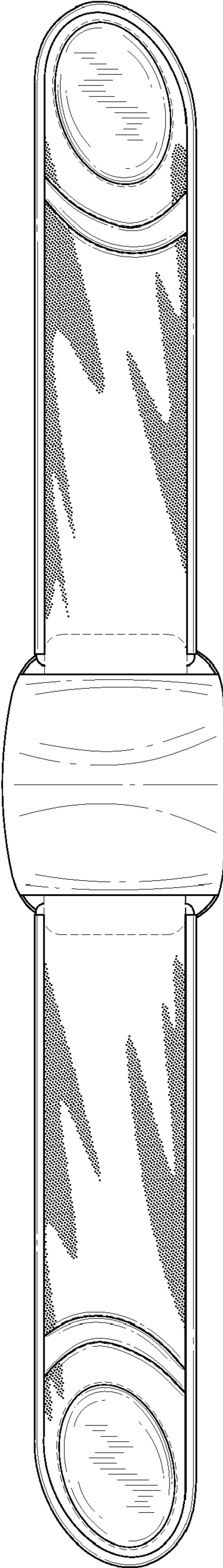


FIG. 3

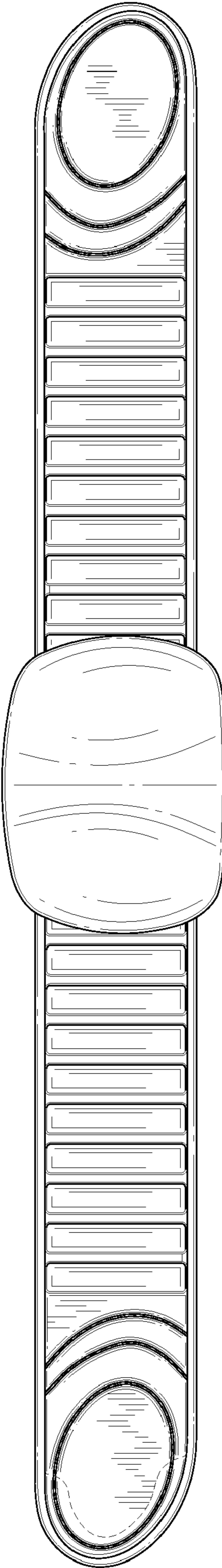


FIG. 4

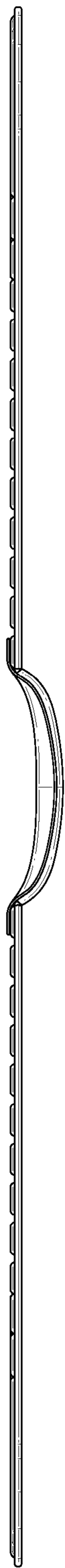


FIG. 5



FIG. 7

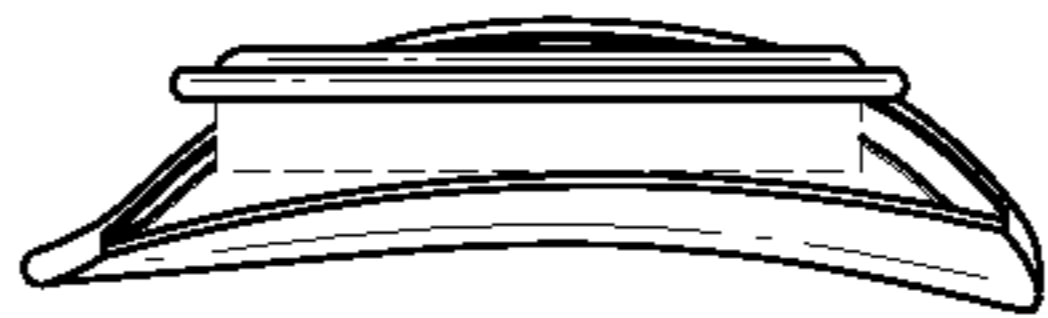


FIG. 8

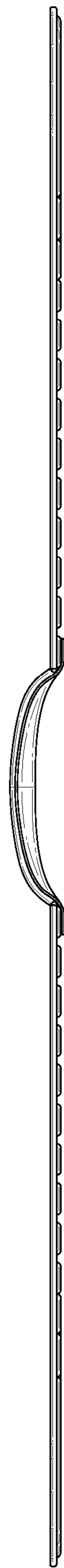


FIG. 6