



US00D629111S

(12) **United States Design Patent**
Oppelt

(10) **Patent No.:** **US D629,111 S**

(45) **Date of Patent:** **** Dec. 14, 2010**

(54) **BLOOD ANALYSIS INSTRUMENT**

(75) Inventor: **Peter Oppelt**, Gramastetten (AT)

(73) Assignee: **Karl Storz GmbH & Co. KG** (DE)

(**) Term: **14 Years**

(21) Appl. No.: **29/344,092**

(22) Filed: **Sep. 23, 2009**

(30) **Foreign Application Priority Data**

Mar. 23, 2009 (EM) 001110407-0023

(51) **LOC (9) Cl.** **24-02**

(52) **U.S. Cl.** **D24/169**

(58) **Field of Classification Search** D24/147,
D24/130, 169; 606/167, 172; 600/567, 578
See application file for complete search history.

(56) **References Cited**

U.S. PATENT DOCUMENTS

D216,286	S *	12/1969	Valeska	D24/144
D246,053	S *	10/1977	Staub et al.	D24/144
D263,020	S *	2/1982	Rau, III	D8/99
4,414,974	A *	11/1983	Dotson et al.	606/167
4,723,546	A *	2/1988	Zagorski	606/170
4,735,202	A *	4/1988	Williams	606/167
D359,356	S *	6/1995	Werner	D24/141
5,431,671	A *	7/1995	Nallakrishnan	606/167
5,634,918	A *	6/1997	Richards	606/1
5,665,099	A *	9/1997	Pilo et al.	606/167
6,391,041	B1 *	5/2002	Edens	606/167
D491,268	S *	6/2004	Hickingbotham	D24/147
D518,178	S *	3/2006	Christiansen	D24/147
7,090,646	B2 *	8/2006	McKinnon et al.	600/576
D537,528	S *	2/2007	Christensen et al.	D24/147

D571,010	S *	6/2008	Cote	D24/147
D575,403	S *	8/2008	Endo	D24/147
7,727,250	B2 *	6/2010	Irisawa	606/172
D619,251	S *	7/2010	Justiniano-Garcia et al.	D24/147
2005/0228423	A1 *	10/2005	Khashayar et al.	606/167
2008/0077045	A1 *	3/2008	Burbank et al.	600/567
2008/0312576	A1 *	12/2008	McKinnon et al.	604/6.15
2009/0163942	A1 *	6/2009	Cuevas et al.	606/167

* cited by examiner

Primary Examiner—Charles A Rademaker

Assistant Examiner—Carissa C Fitts

(74) *Attorney, Agent, or Firm*—St. Onge Steward Johnston & Reens LLC

(57) **CLAIM**

The ornamental design for a blood analysis instrument, as shown and described.

DESCRIPTION

FIG. 1 is a right side perspective view of a blood analysis instrument in accordance with the new design;

FIG. 2 is a right side elevation view thereof;

FIG. 3 is a left side elevation view thereof;

FIG. 4 is a top elevation view thereof;

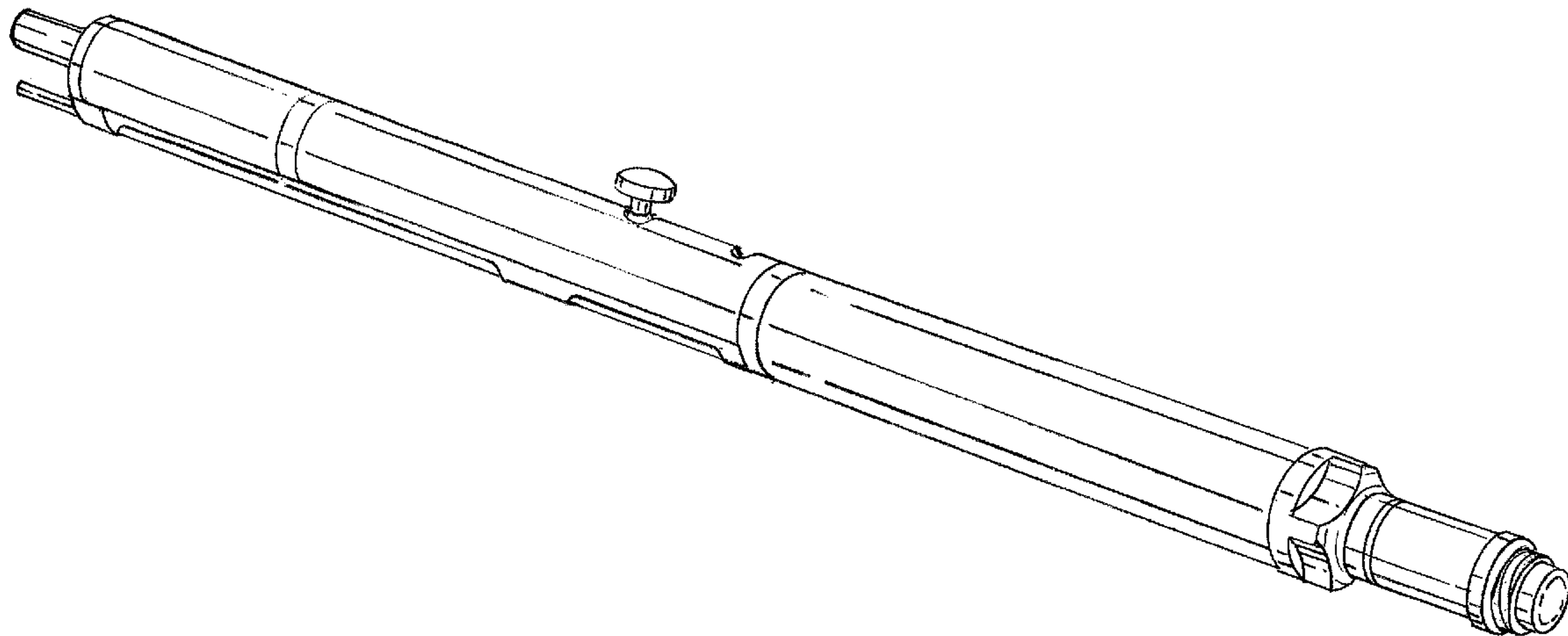
FIG. 5 is a bottom elevation view thereof;

FIG. 6 is a front elevation view thereof; and,

FIG. 7 is a rear elevation view thereof.

The broken line showing in FIGS. 1 and 6-7 is included for the purpose of illustrating portions of the instrument that form no part of the claimed design.

1 Claim, 4 Drawing Sheets



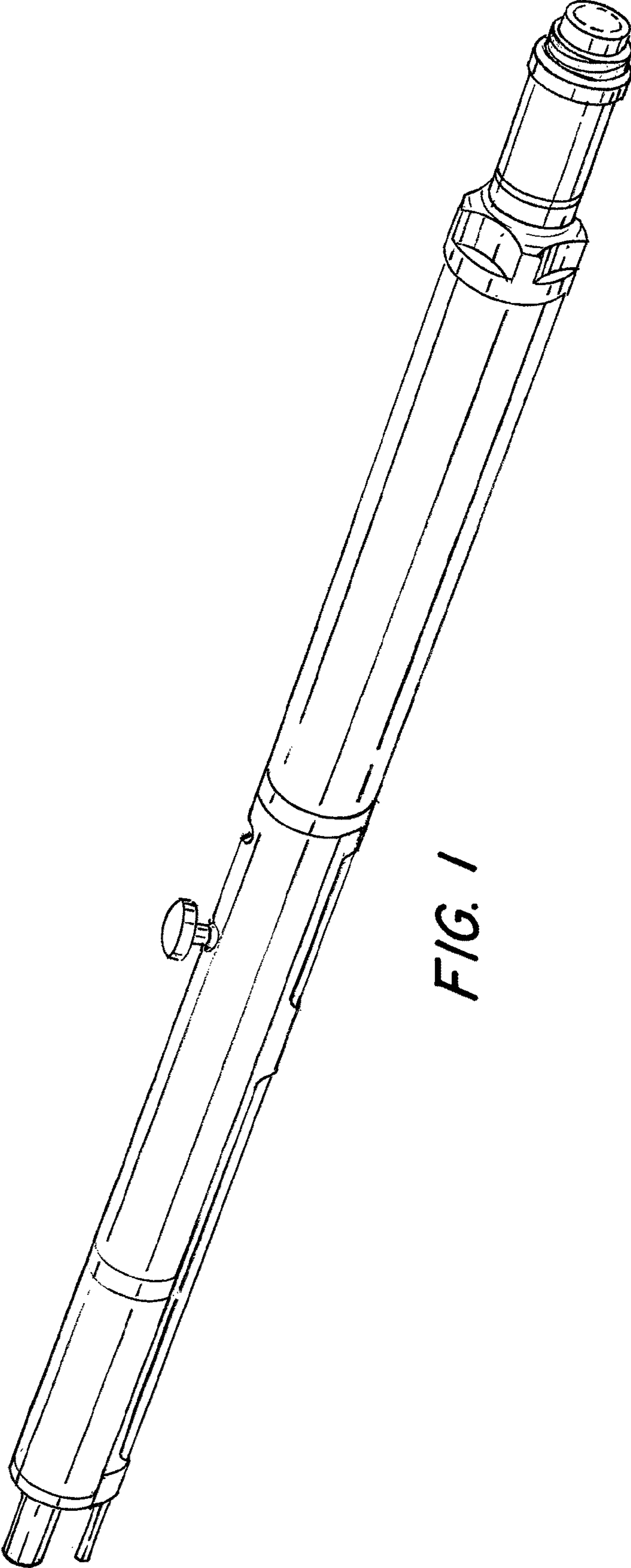


FIG. 1

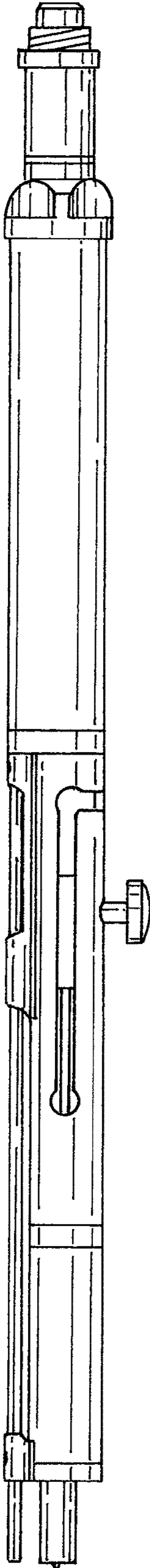


FIG. 3

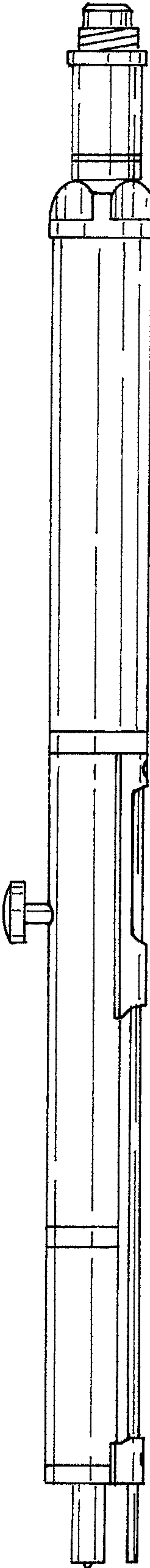


FIG. 2

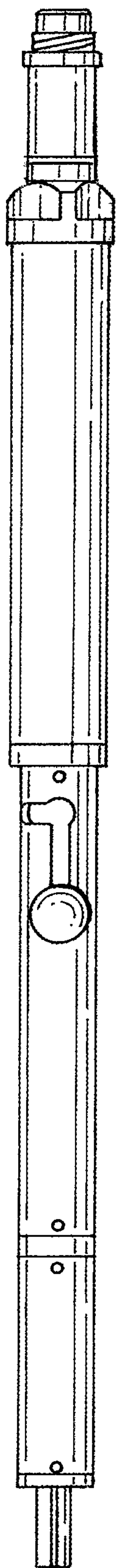


FIG. 4

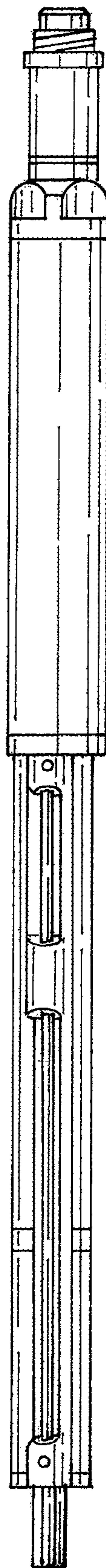


FIG. 5

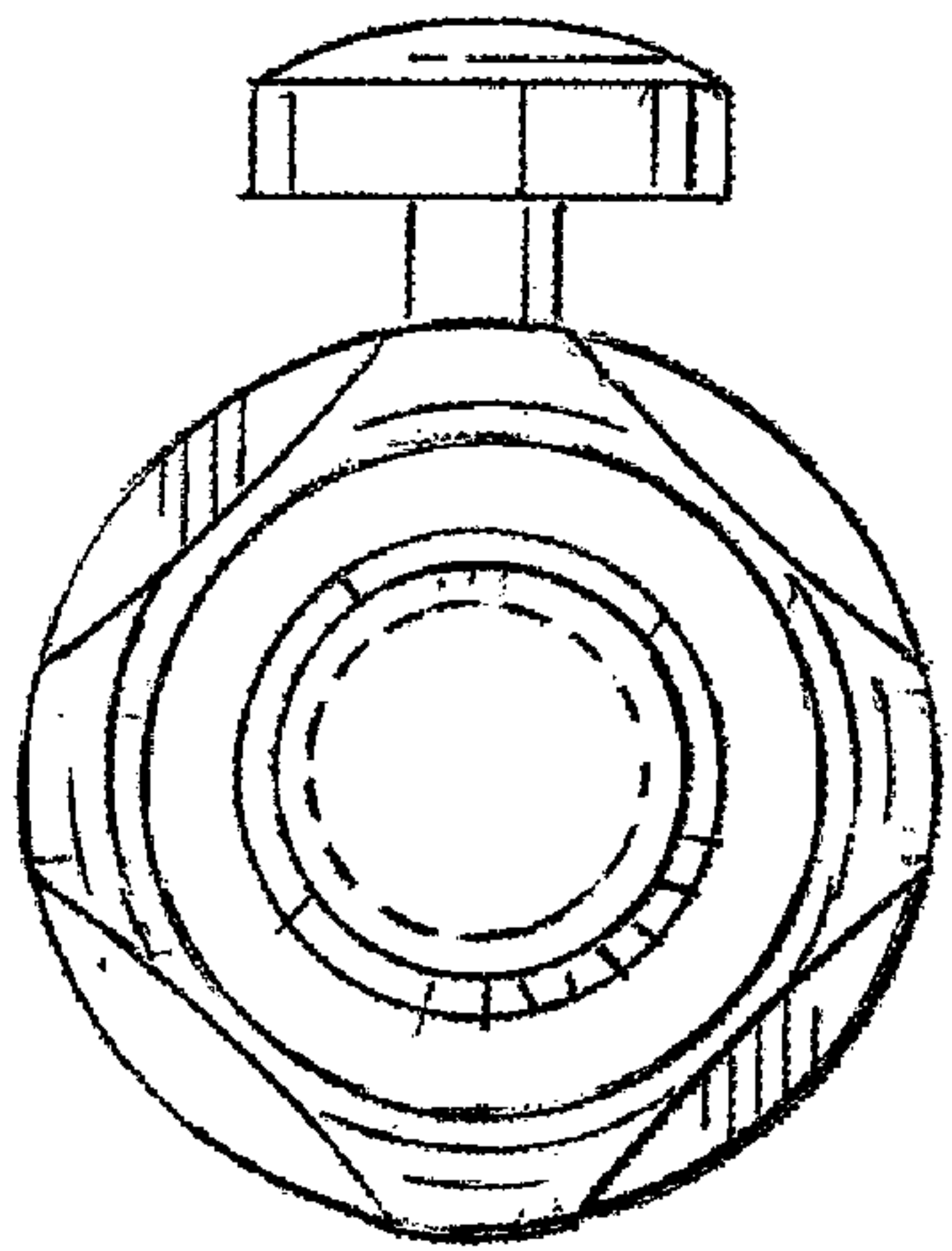


FIG. 6

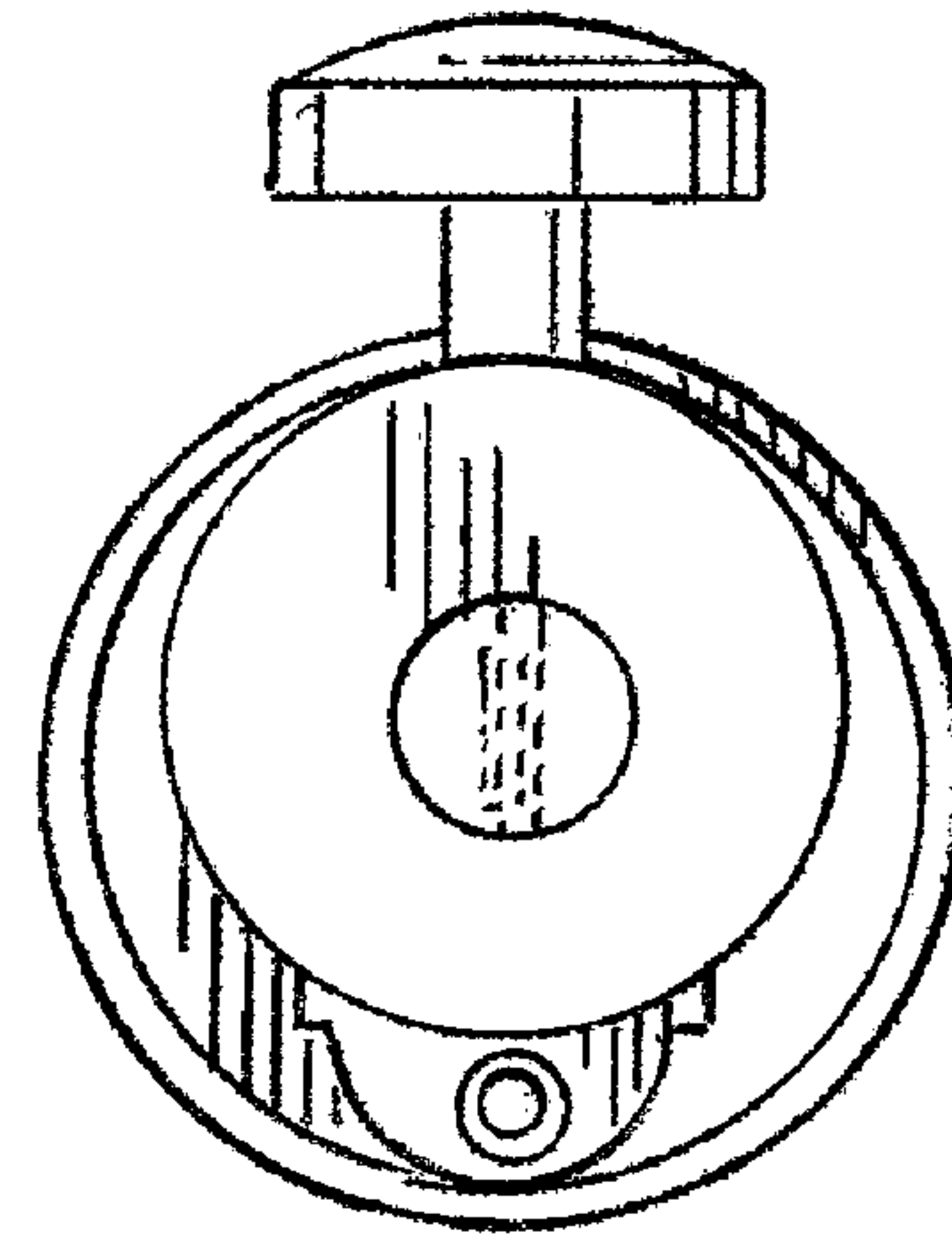


FIG. 7