



US00D629110S

(12) **United States Design Patent**
Brettle et al.

(10) **Patent No.:** **US D629,110 S**

(45) **Date of Patent:** **** Dec. 14, 2010**

(54) **DEVICE FOR PROTECTION AGAINST RADIATION**

(75) Inventors: **David Stewart Brettle**, Leeds (GB);
Gareth Richard Iball, Leeds (GB)

(73) Assignee: **The Leeds Teaching Hospital NHS Trust**, Leeds (GB)

(**) Term: **14 Years**

(21) Appl. No.: **29/358,809**

(22) Filed: **Apr. 1, 2010**

(30) **Foreign Application Priority Data**

Oct. 2, 2009 (EM) 001168579

(51) **LOC (9) Cl.** **24-01**

(52) **U.S. Cl.** **D24/158**

(58) **Field of Classification Search** D24/158-161,
D24/186; 378/203, 204, 210; 250/515.1,
250/516.1, 519.1

See application file for complete search history.

(56) **References Cited**

U.S. PATENT DOCUMENTS

D238,615 S *	1/1976	Maler	D24/158
D241,378 S *	9/1976	Burger	D24/158
D249,278 S *	9/1978	Milligan	D24/158
D259,139 S *	5/1981	Johnson	D24/158

4,938,233 A *	7/1990	Orrison, Jr.	250/516.1
D310,905 S *	10/1990	Marchione	D24/158
5,012,114 A *	4/1991	Sisson, Jr.	250/519.1
D371,333 S *	7/1996	Fennell	D24/183
5,844,246 A *	12/1998	Marchione	250/516.1
D415,277 S *	10/1999	Tumey et al.	D24/158
D556,324 S *	11/2007	Oddsottir et al.	D24/158

* cited by examiner

Primary Examiner—T. Chase Nelson

Assistant Examiner—Anhdao Doan

(74) *Attorney, Agent, or Firm*—Kirton & McConkie; Evan R. Witt

(57) **CLAIM**

The ornamental design for a device for protection against radiation, as shown and described.

DESCRIPTION

FIG. 1 is a bottom view of a device for protection against radiation showing our new design.

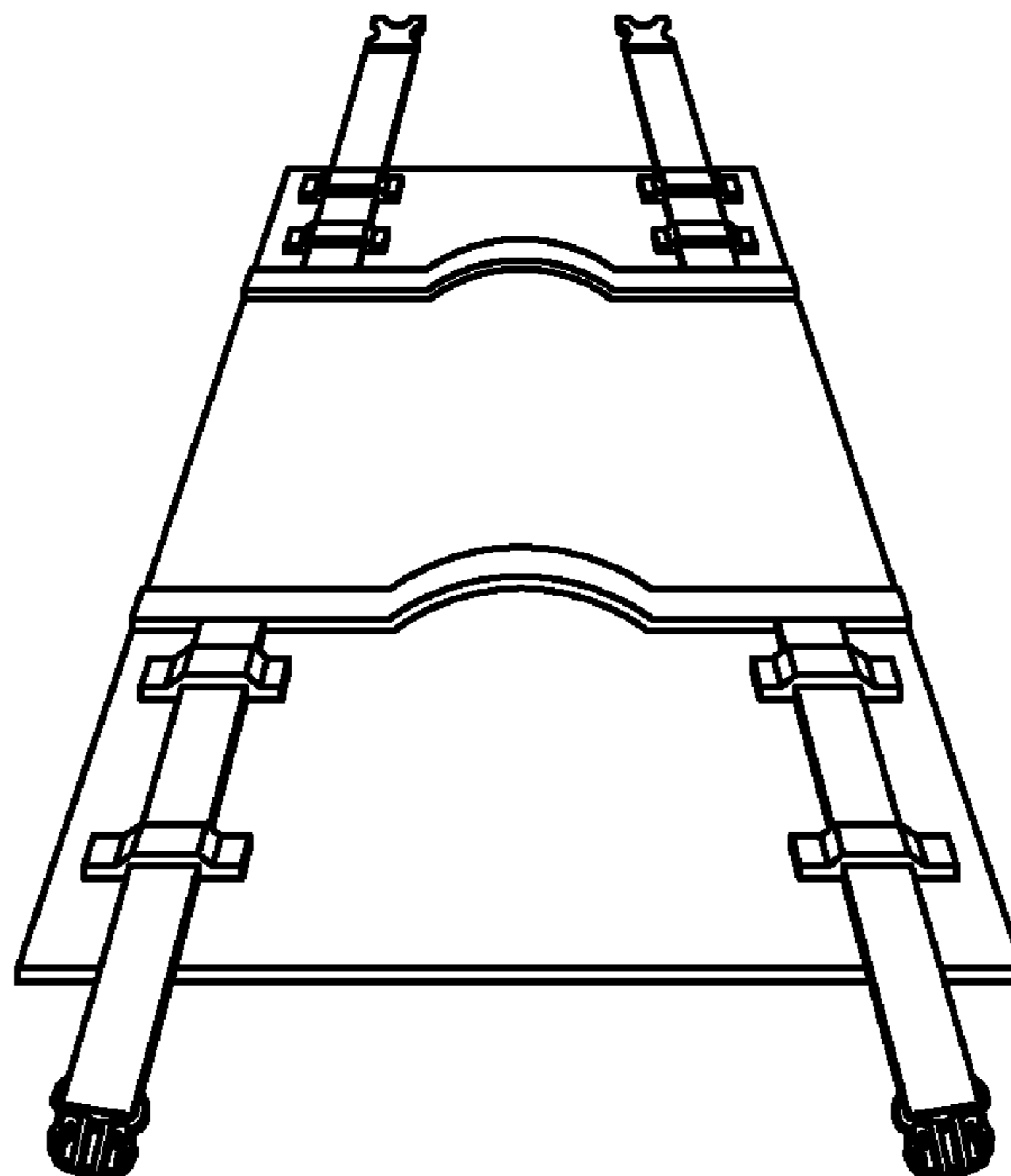
FIG. 2 is a top view thereof.

FIG. 3 is a perspective view of the top thereof.

FIG. 4 is an enlarged front view thereof, the rear view being a mirror image; and,

FIG. 5 is an enlarged right side view thereof, the left side view being a mirror image.

1 Claim, 2 Drawing Sheets



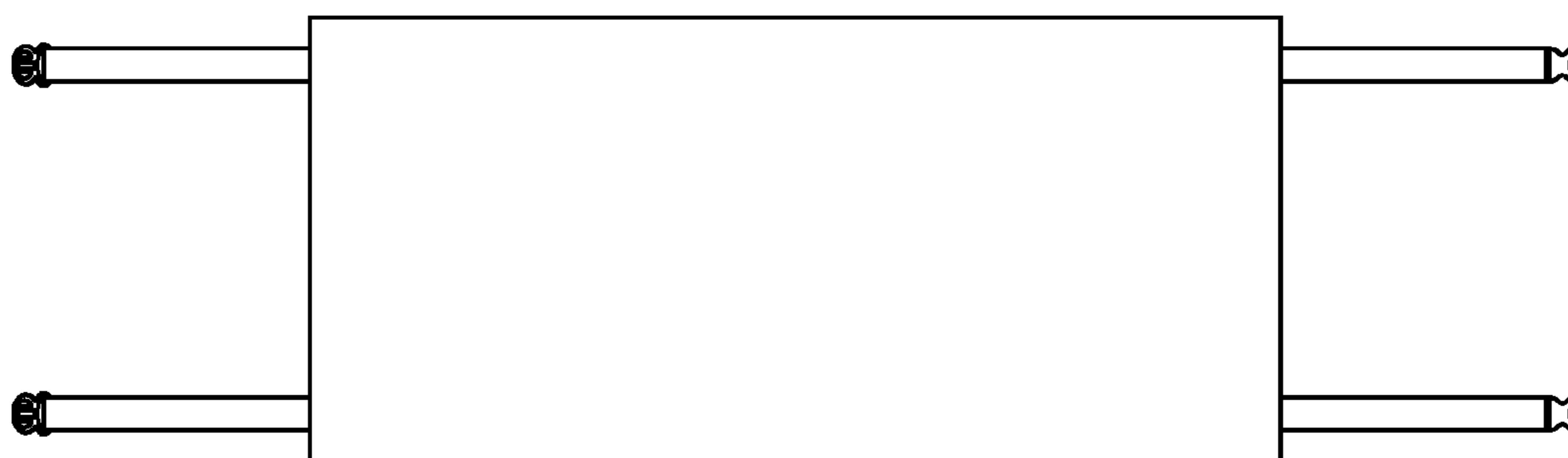


FIG. 1

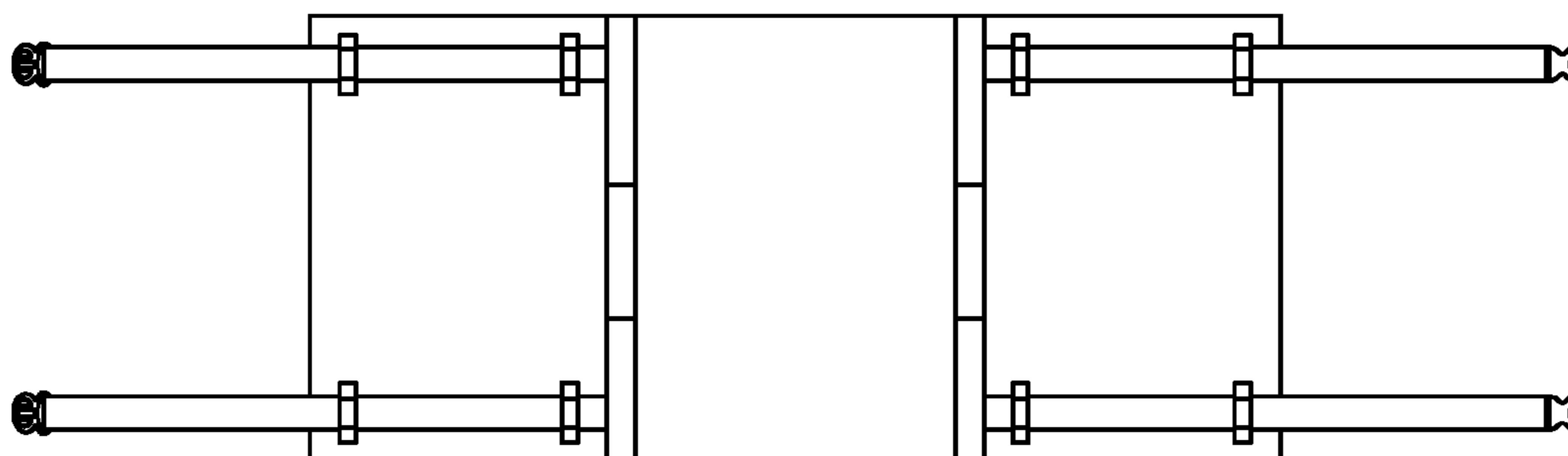


FIG. 2

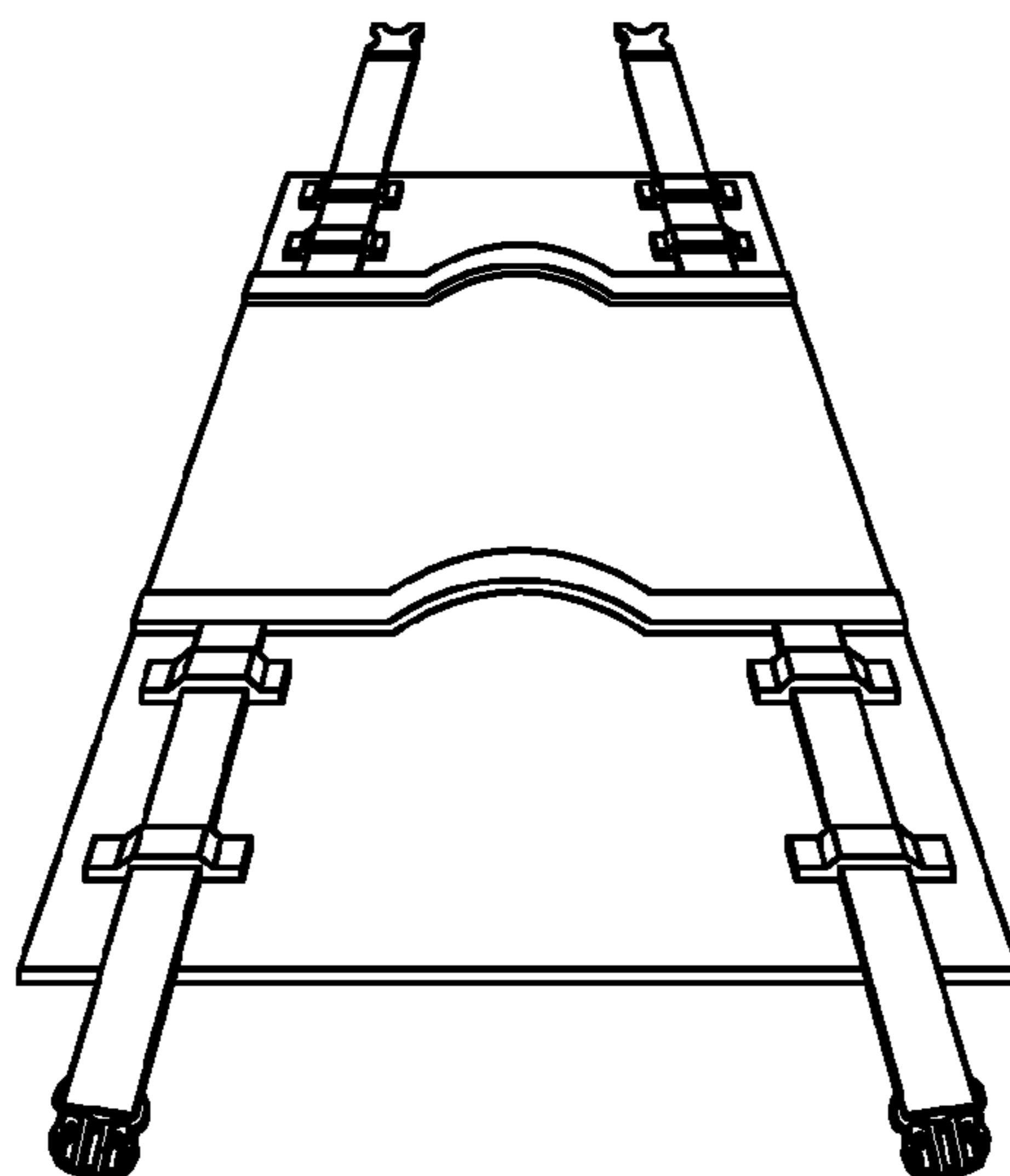


FIG. 3

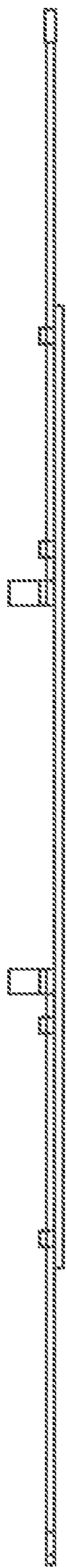


FIG. 4



FIG. 5