

US00D629108S

(12) **United States Design Patent**
Richter et al.

(10) **Patent No.:** **US D629,108 S**
(45) **Date of Patent:** **** Dec. 14, 2010**

(54) **SPINAL IMPLANT**

(75) Inventors: **Marcus Richter**, Wiesbaden (DE);
Farzam Vazifehdan, Traunusstein (DE)

(73) Assignee: **Ulrich GmbH & Co. KG**, Ulm (DE)

(**) Term: **14 Years**

(21) Appl. No.: **29/358,766**

(22) Filed: **Mar. 31, 2010**

Related U.S. Application Data

(62) Division of application No. 29/329,876, filed on Dec. 23, 2008, now Pat. No. Des. 619,255.

Foreign Application Priority Data

Jul. 26, 2008 (EM) 000959143

(51) **LOC (9) Cl.** **24-03**

(52) **U.S. Cl.** **D24/155**

(58) **Field of Classification Search** D24/155-157;
606/60, 61, 73, 95, 213, 246, 248, 249; 623/23.61,
623/23.56, 247, 213, 11.11, 16.14, 20.23,
623/20.33, 33, 41, 17.11-17.16

See application file for complete search history.

(56) **References Cited**

U.S. PATENT DOCUMENTS

6,245,108	B1 *	6/2001	Biscup	623/17.11
6,454,805	B1 *	9/2002	Baccelli et al.	623/17.11
6,458,159	B1 *	10/2002	Thalgott	623/17.11
6,530,955	B2 *	3/2003	Boyle et al.	623/17.11
D472,971	S *	4/2003	Anderson	D24/155
6,676,703	B2 *	1/2004	Biscup	623/17.16
6,964,687	B1 *	11/2005	Bernard et al.	623/17.16
7,044,972	B2 *	5/2006	Mathys et al.	623/17.16
D530,423	S *	10/2006	Miles et al.	D24/155
7,135,043	B2 *	11/2006	Nakahara et al.	623/17.11

D533,277	S *	12/2006	Blain	D24/155
7,238,203	B2 *	7/2007	Bagga et al.	623/17.11
7,458,988	B2 *	12/2008	Trieu et al.	623/17.13
D594,986	S *	6/2009	Miles et al.	D24/155
D595,853	S *	7/2009	Hanson et al.	D24/155
D599,019	S *	8/2009	Pimenta et al.	D24/155
7,591,852	B2 *	9/2009	Prosser	623/17.16
7,637,950	B2 *	12/2009	Baccelli et al.	623/17.11
D611,147	S *	3/2010	Hanson et al.	D24/155
D616,546	S *	5/2010	Vraney et al.	D24/155
D620,110	S *	7/2010	Courtney et al.	D24/155
D620,112	S *	7/2010	Courtney et al.	D24/155
D620,113	S *	7/2010	Courtney et al.	D24/155
D621,509	S *	8/2010	Lovell	D24/155
D623,747	S *	9/2010	Horton	D24/155
D623,750	S *	9/2010	Duffield et al.	D24/155
D625,820	S *	10/2010	Calverley et al.	D24/155
7,806,932	B2 *	10/2010	Webb et al.	623/17.11

* cited by examiner

Primary Examiner—Charles A Rademaker

(74) *Attorney, Agent, or Firm*—Andrew Wilford

(57) **CLAIM**

The ornamental design for a spinal implant, as shown and described.

DESCRIPTION

FIG. 1 is a perspective view of a spinal implant showing our new design;

FIG. 2 is a top plan view thereof shown on an enlarged scale, the side opposite being a mirror image;

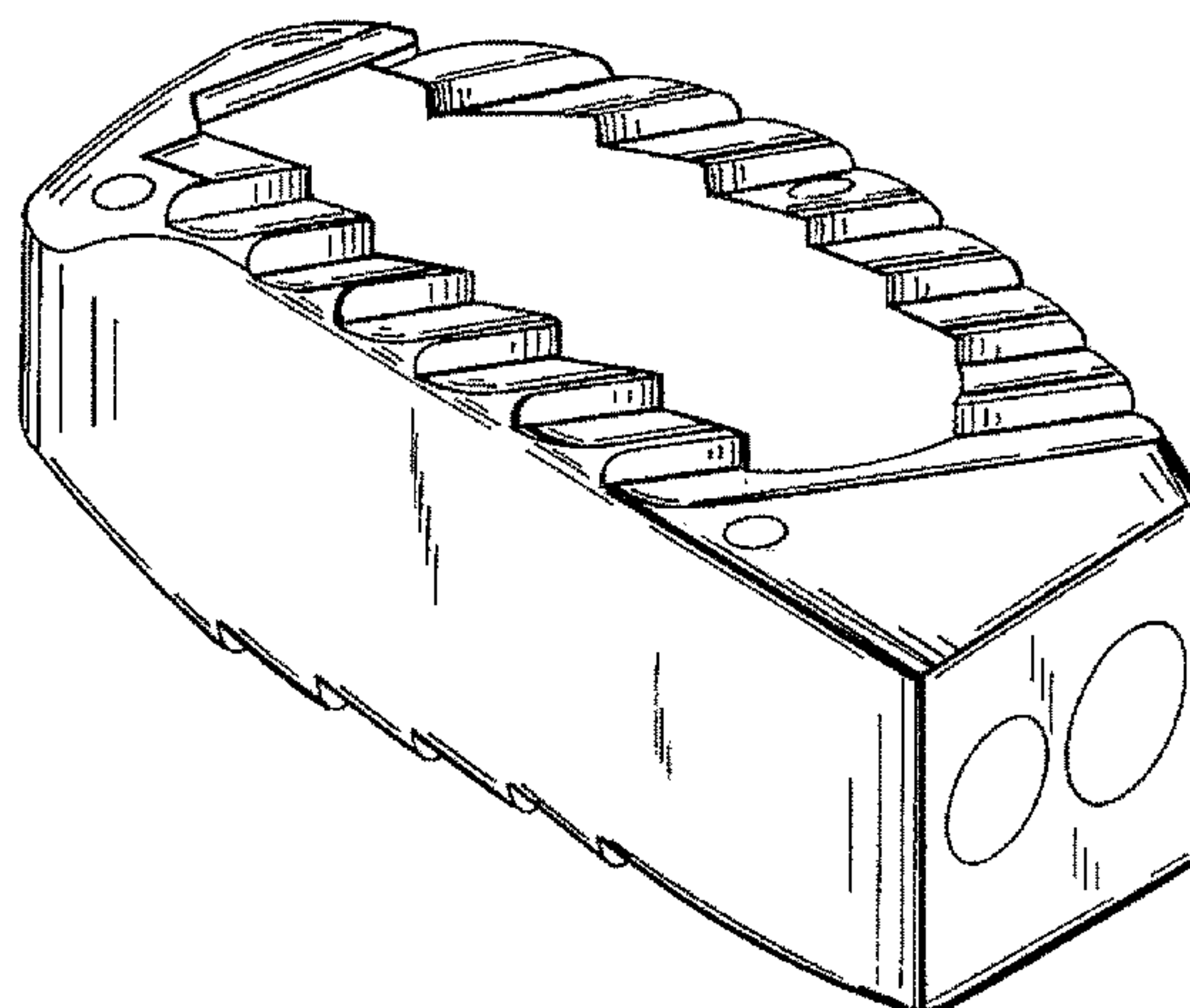
FIG. 3 is a right side elevation thereof;

FIG. 4 is a left side elevation thereof; and

FIG. 5 is a front elevation thereof shown on an enlarged scale; and,

FIG. 6 is a rear elevation thereof.

1 Claim, 6 Drawing Sheets



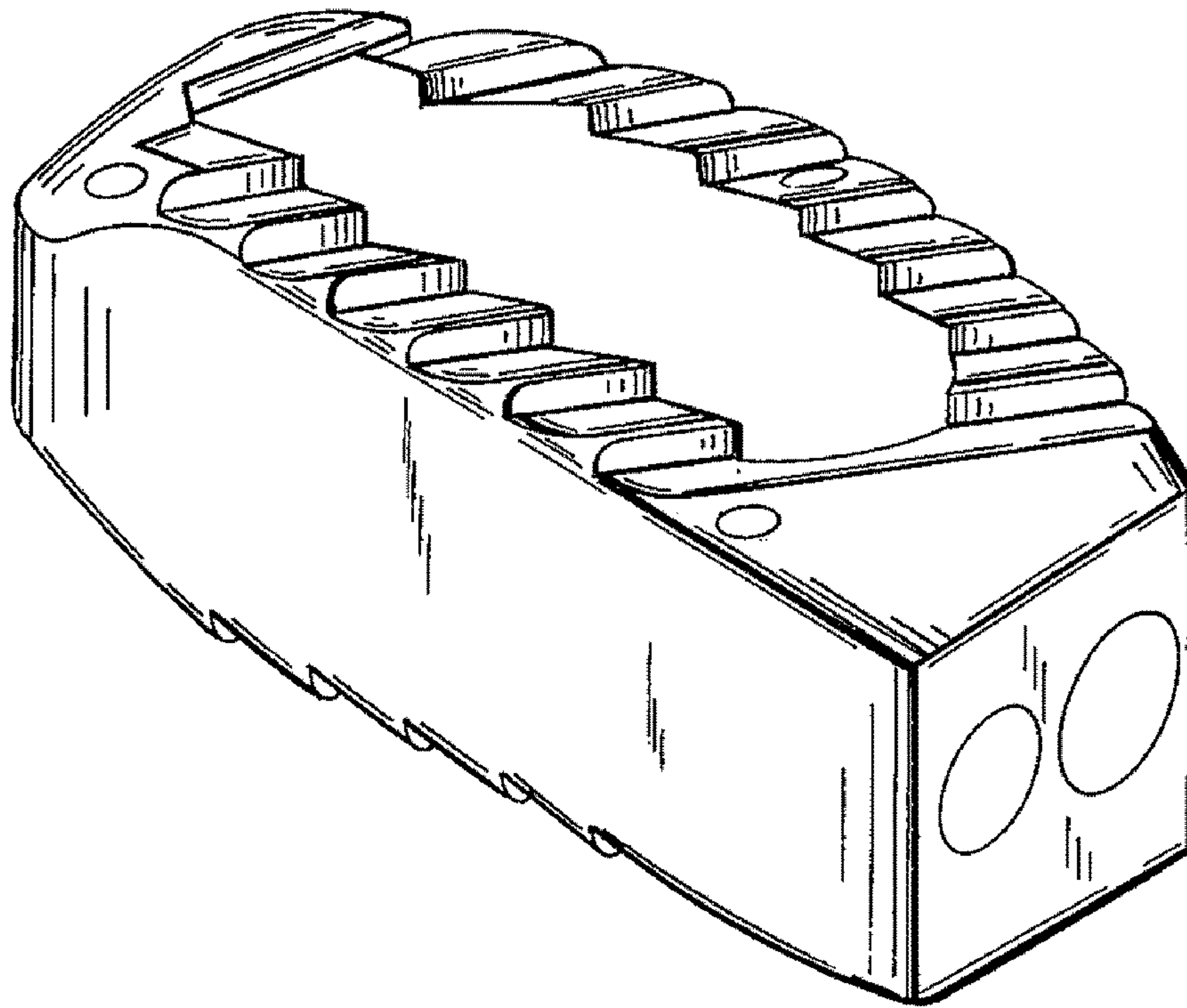


FIG.1

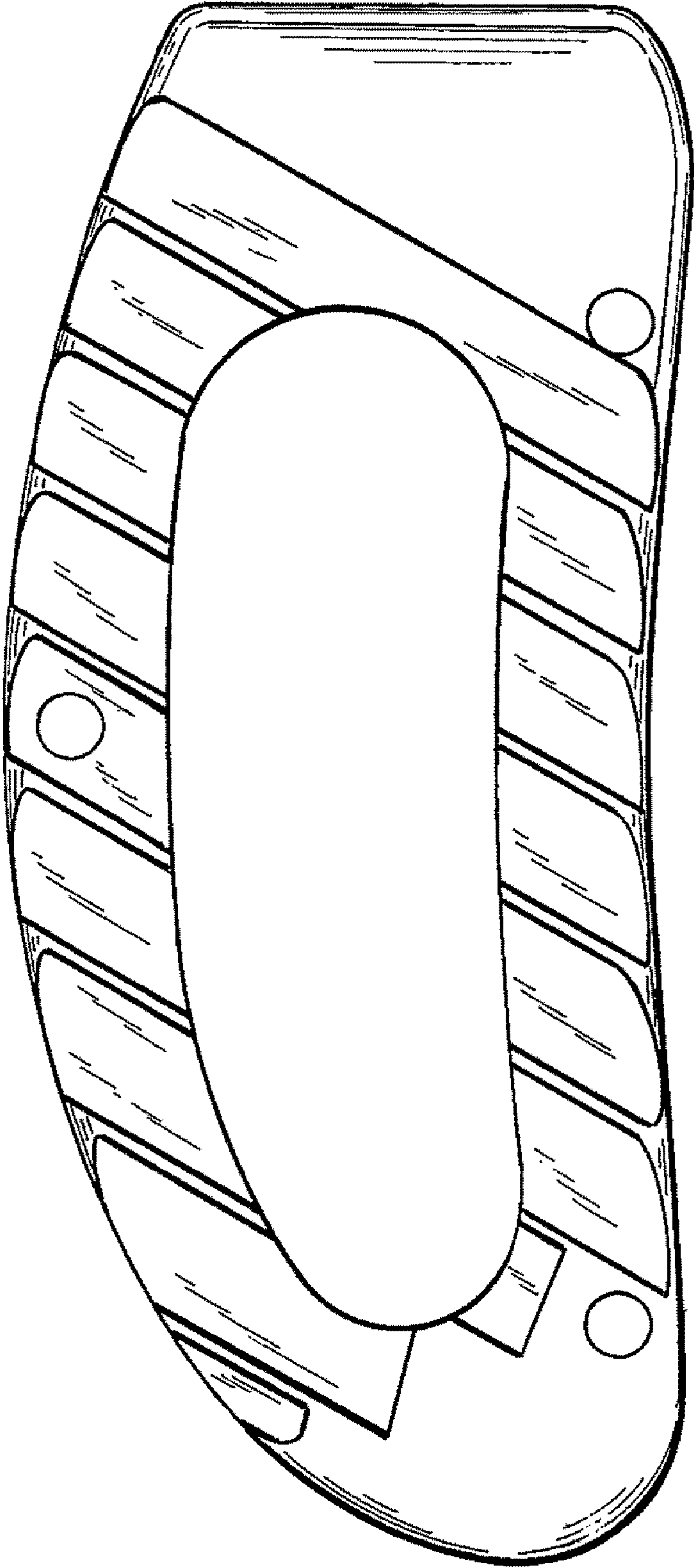


FIG. 2

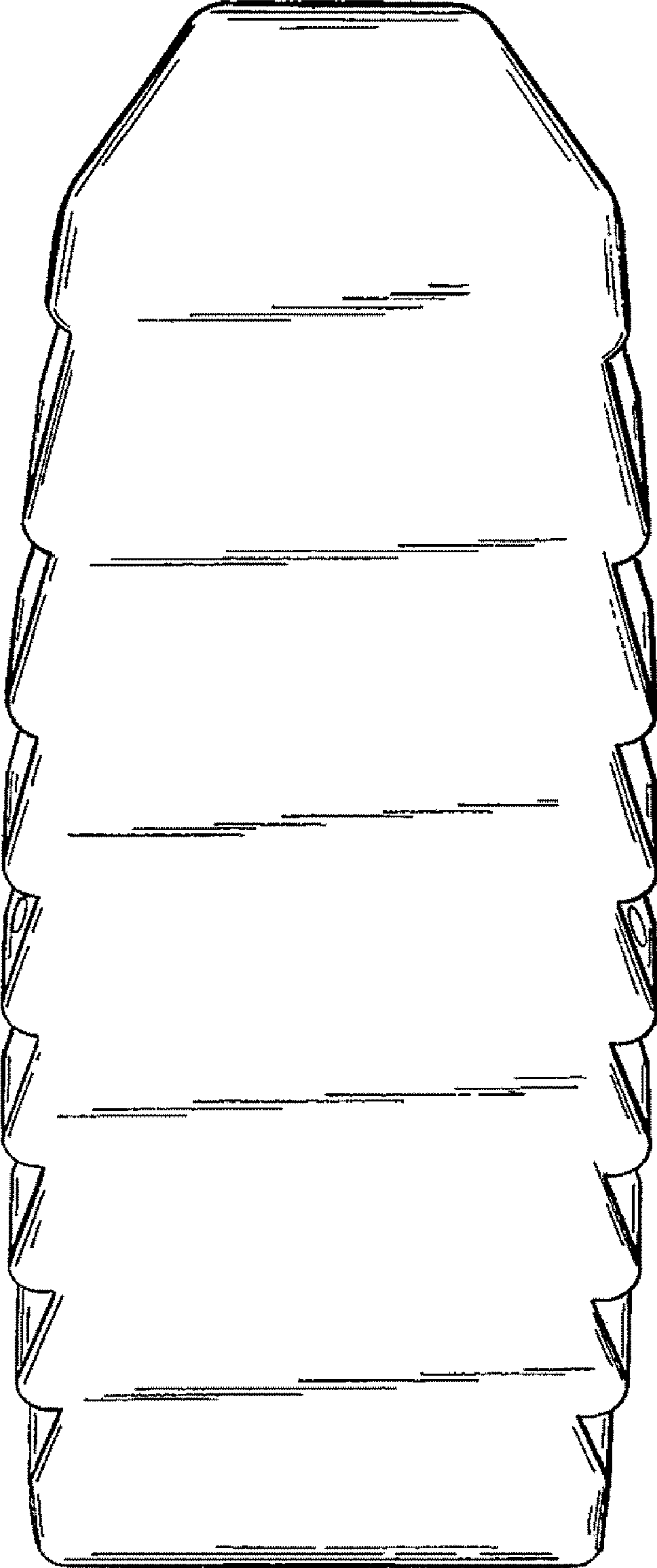


FIG.3

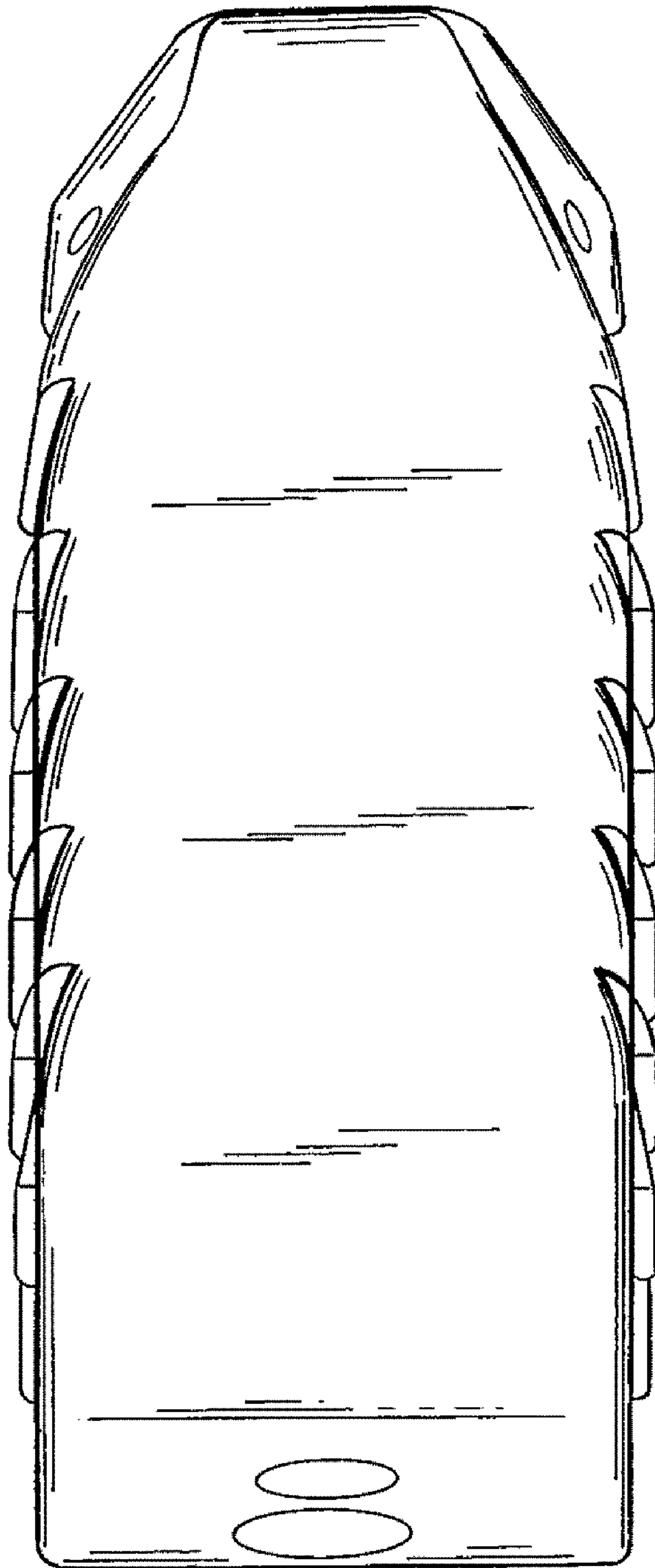


FIG. 4

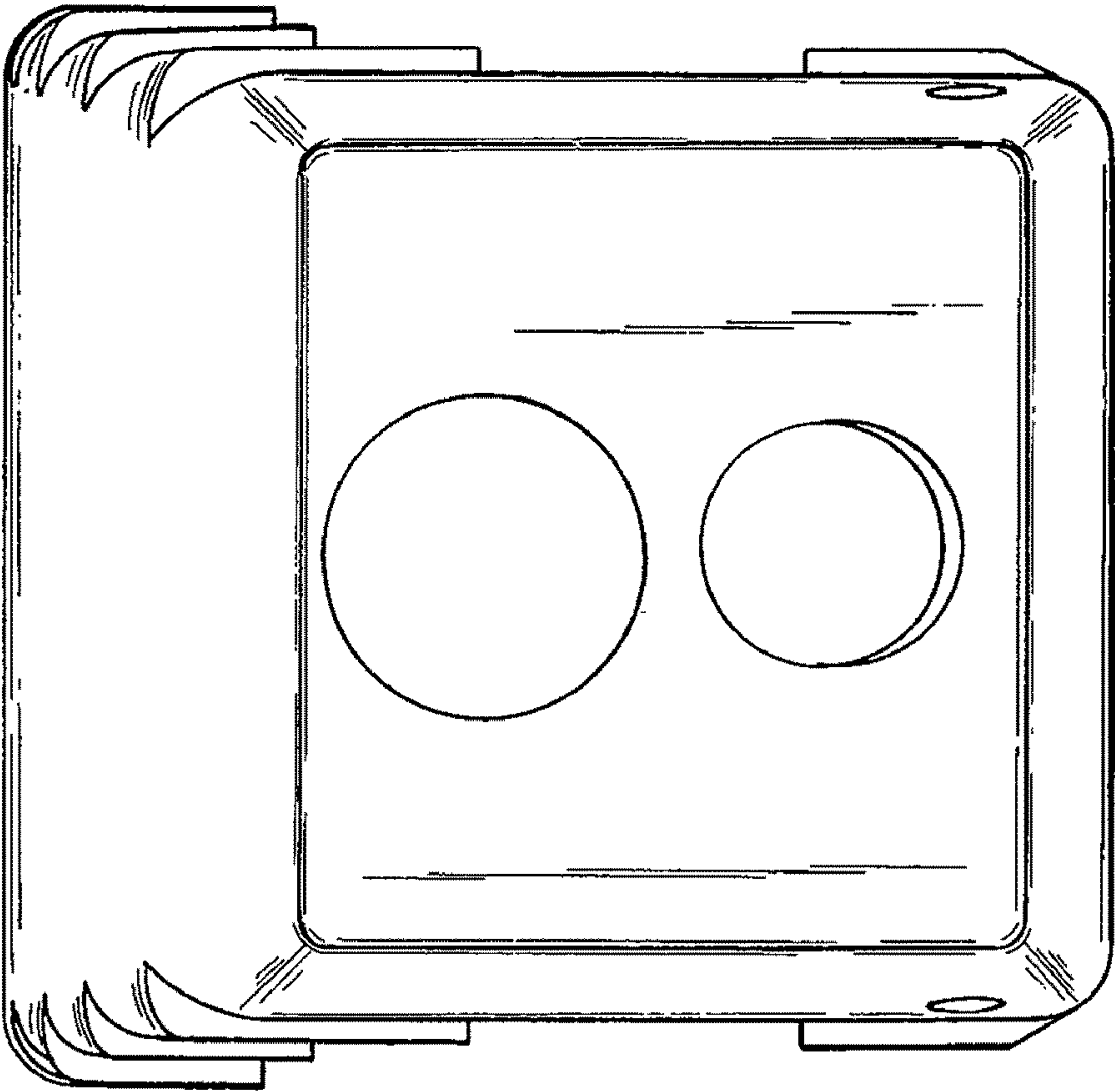


FIG.5

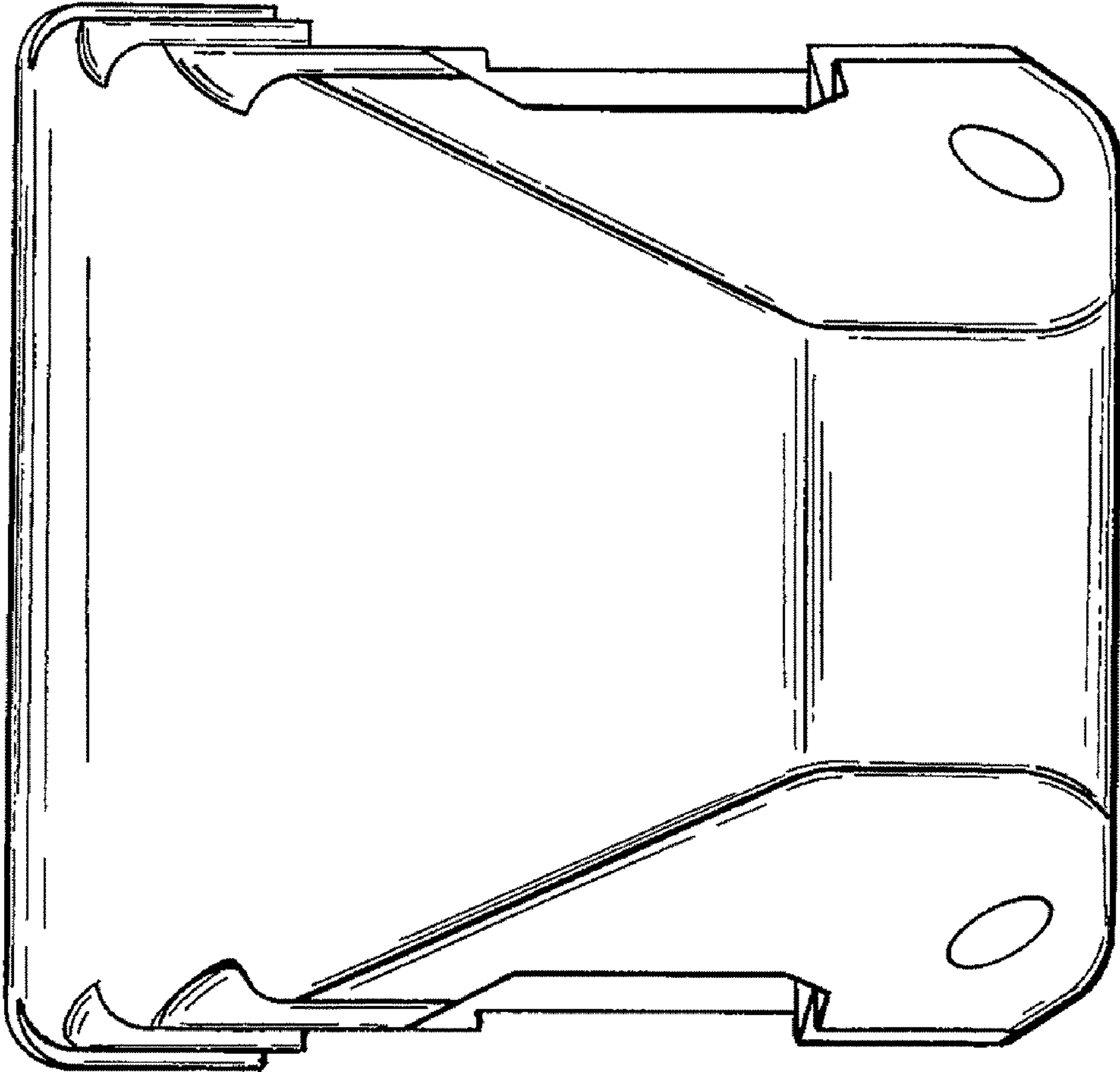


FIG.6