



US00D629106S

(12) **United States Design Patent**  
**Horton et al.**

(10) **Patent No.:** **US D629,106 S**

(45) **Date of Patent:** **\*\* Dec. 14, 2010**

(54) **FACET FUSION WEDGE**

(76) Inventors: **Kenneth L. Horton**, 174 Oxmoor Rd., Birmingham, AL (US) 35209; **Jeffrey Roh**, 19660 NE. 44th Pl., Sammamish, WA (US) 98074; **Evan Zeiger**, 3009 Canterbury La., Birmingham, AL (US) 35223

6,579,319 B2 6/2003 Goble et al.  
6,902,578 B1 6/2005 Anderson et al.  
6,923,810 B1 8/2005 Michelson  
6,923,811 B1 8/2005 Carl et al.  
6,942,698 B1 9/2005 Jackson  
7,223,269 B2 5/2007 Chappuis

(Continued)

FOREIGN PATENT DOCUMENTS

WO 2000/022998 A1 4/2000

(Continued)

(\*\*) Term: **14 Years**

(21) Appl. No.: **29/342,655**

(22) Filed: **Aug. 28, 2009**

(51) **LOC (9) Cl.** ..... **24-03**

(52) **U.S. Cl.** ..... **D24/155**

(58) **Field of Classification Search** ..... D24/155-157;  
606/60, 61, 73, 95, 213, 246, 248, 249; 623/17.11-17.16,  
623/23.61, 23.56, 247, 213, 11.11, 16.14,  
623/20.23, 20.33, 33, 41; D21/460; D8/382  
See application file for complete search history.

Mathews, "Percutaneous Interbody Fusions", Orthopedic Clinics of North America, Oct. 1, 1998, pp. 647-653, vol. 29, Issue 4, published by Elsevier, Inc.

(Continued)

*Primary Examiner*—Charles A Rademaker  
(74) *Attorney, Agent, or Firm*—Kenneth M. Bush; Gerald M. Walsh; Bush Intellectual Property Law

(56) **References Cited**

U.S. PATENT DOCUMENTS

4,501,269 A 2/1985 Bagby  
4,581,962 A 4/1986 Marbourg  
5,015,247 A 5/1991 Michelson  
5,306,307 A 4/1994 Senter et al.  
5,458,638 A \* 10/1995 Kuslich et al. .... 623/17.11  
5,484,437 A 1/1996 Michelson  
5,489,307 A 2/1996 Kuslich et al.  
5,593,409 A 1/1997 Michelson  
5,741,253 A 4/1998 Michelson  
5,741,261 A 4/1998 Moskovitz et al.  
5,860,973 A 1/1999 Michelson  
5,954,635 A 9/1999 Foley et al.  
6,042,582 A 3/2000 Ray  
6,080,155 A 6/2000 Michelson  
6,210,412 B1 4/2001 Michelson  
6,371,988 B1 4/2002 Pafford et al.  
6,485,518 B1 11/2002 Cornwall et al.  
6,520,907 B1 2/2003 Foley et al.  
6,540,747 B1 4/2003 Marino  
6,562,046 B2 5/2003 Sasso

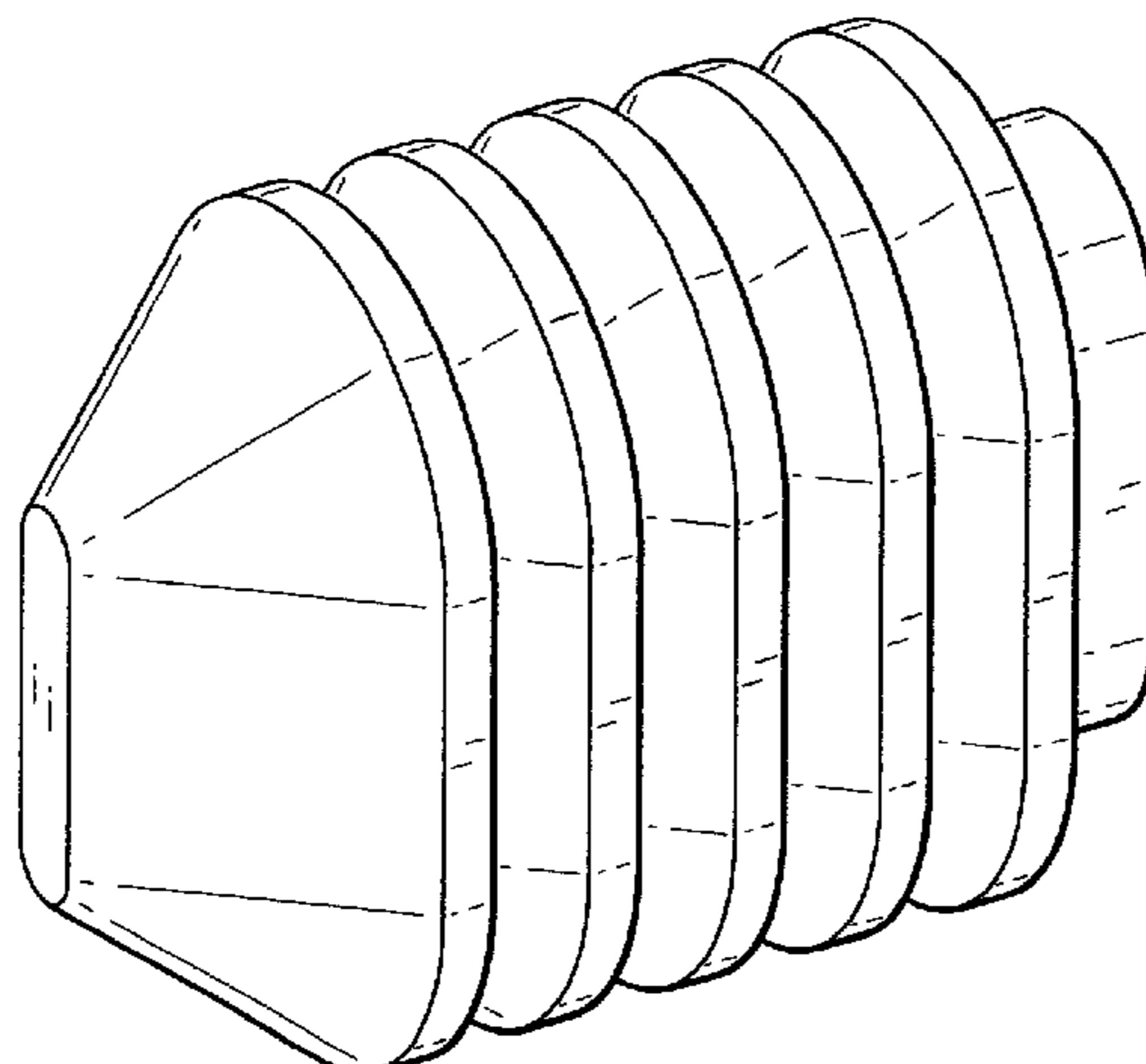
(57) **CLAIM**

We claim the ornamental design for a facet fusion wedge, as shown and described.

**DESCRIPTION**

FIG. 1 is a top, front, right perspective view of a facet fusion wedge showing our new design;  
FIG. 2 is a rear elevation view thereof;  
FIG. 3 is a front elevation view thereof;  
FIG. 4 is a left side elevation view thereof;  
FIG. 5 is a right side elevation view thereof;  
FIG. 6 is a top plan view thereof; and,  
FIG. 7 is a bottom plan view thereof.  
The ornamental design for a surgical implant used to fuse a facet joint.

**1 Claim, 4 Drawing Sheets**



# US D629,106 S

Page 2

## U.S. PATENT DOCUMENTS

D574,495 S 8/2008 Petersen  
D574,957 S 8/2008 Petersen  
D581,538 S 11/2008 Horton  
7,452,369 B2 11/2008 Barry  
7,500,992 B2\* 3/2009 Li ..... 623/17.11  
D612,500 S\* 3/2010 Strobel et al. .... D24/155  
7,695,513 B2\* 4/2010 Zucherman et al. .... 623/17.11  
D621,046 S\* 8/2010 Strobel et al. .... D24/155  
D621,047 S\* 8/2010 Strobel et al. .... D24/155  
7,780,732 B2\* 8/2010 Abernathie ..... 623/17.11  
2004/0087948 A1 5/2004 Suddaby  
2004/0143268 A1 7/2004 Falahee  
2004/0215344 A1 10/2004 Hochschuler et al.  
2005/0015150 A1 1/2005 Lee  
2005/0065516 A1 3/2005 Jahng  
2005/0149030 A1 7/2005 Serhan et al.  
2006/0036264 A1 2/2006 Selover et al.  
2006/0064099 A1 3/2006 Pavlov et al.  
2006/0111779 A1 5/2006 Petersen  
2006/0111782 A1 5/2006 Petersen

2007/0250166 A1 10/2007 McKay  
2008/0255667 A1 10/2008 Horton  
2009/0131986 A1 5/2009 Lee et al.

## FOREIGN PATENT DOCUMENTS

WO 2007/120903 A2 10/2007

## OTHER PUBLICATIONS

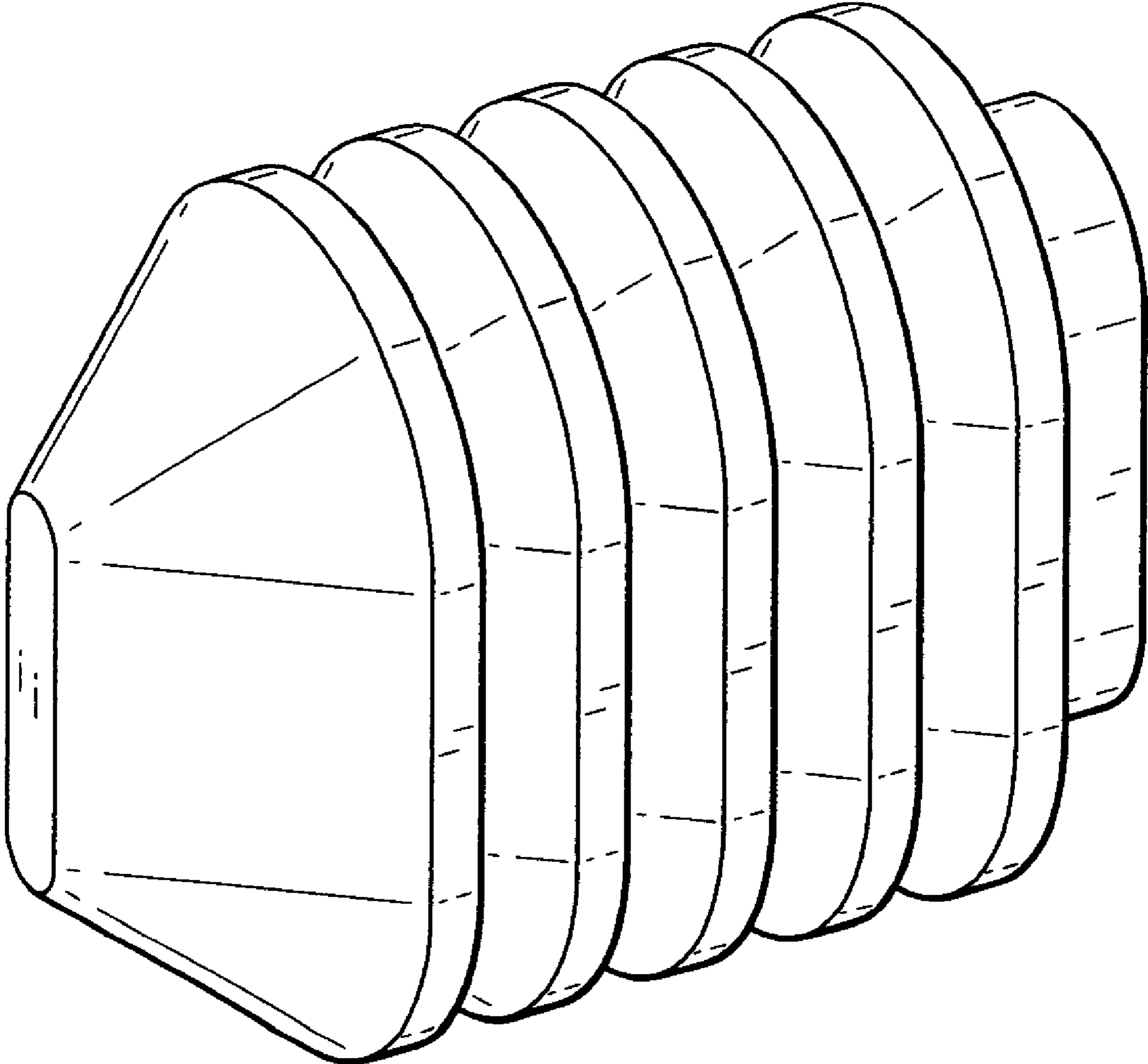
Polly, Jr. et al., "Surgical Treatment for the Painful Motion Segment", *Spine*, 2005, pp. S44-S51, vol. 30, No. 16S, published by Lippincott Williams & Wilkins, Inc.

Powers, et al., "Minimally Invasive Fusion and Fixation Techniques", *Neurosurgery Clinics of North America*, Oct. 2006, pp. 447-489, vol. 17, Issue 4, published by Elsevier, Inc.

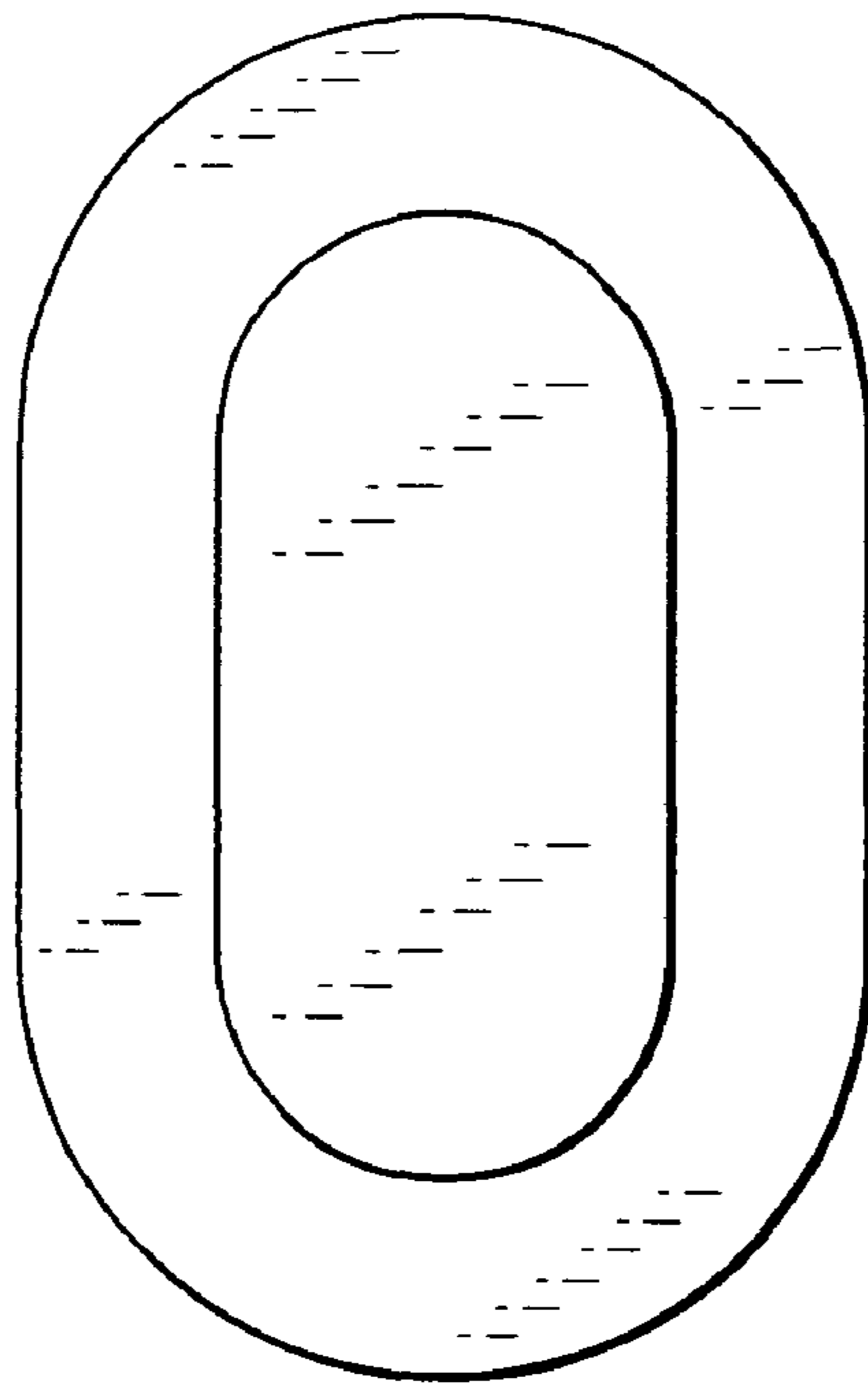
Seldomridge, et al., "Minimally Invasive Spine Surgery", *The American Journal of Orthopedics*, May 2005, pp. 224-232.

Stein, et al., "Percutaneous Facet Joint Fusion: Preliminary Experience", *Journal of Vascular and Interventional Radiology*, Jan.-Feb. 1993, pp. 69-74, vol. 4, No. 1.

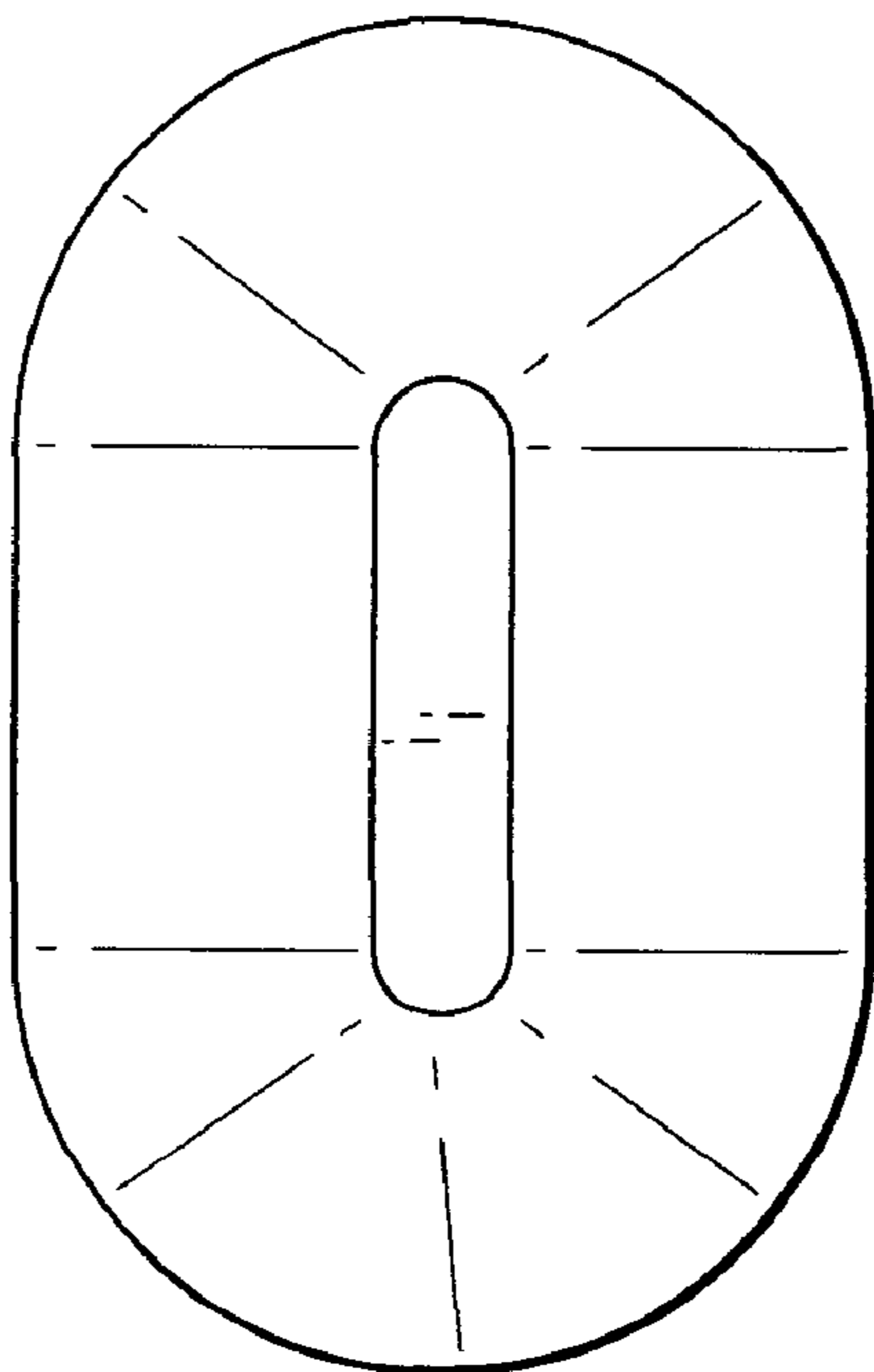
\* cited by examiner



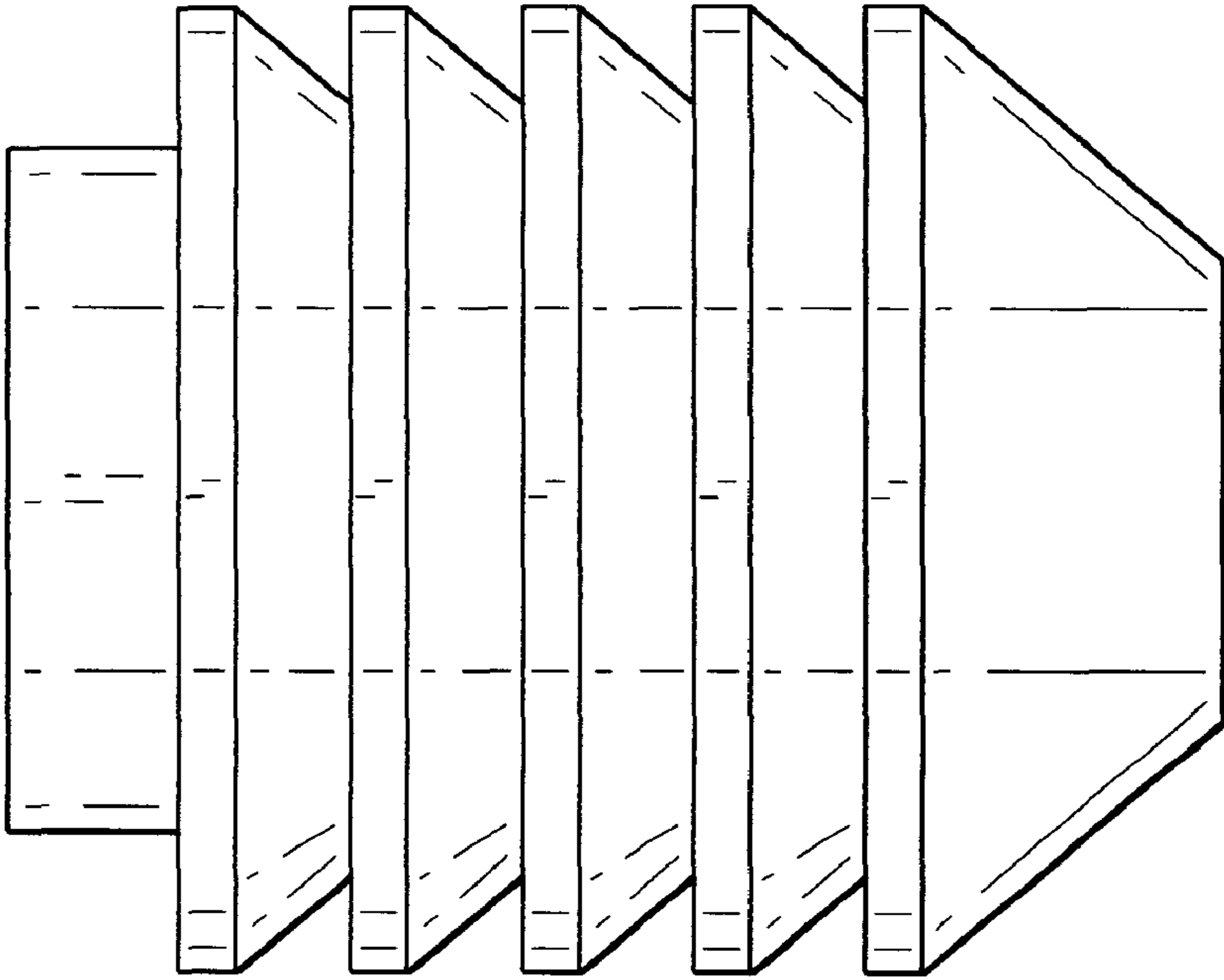
**Fig. 1**



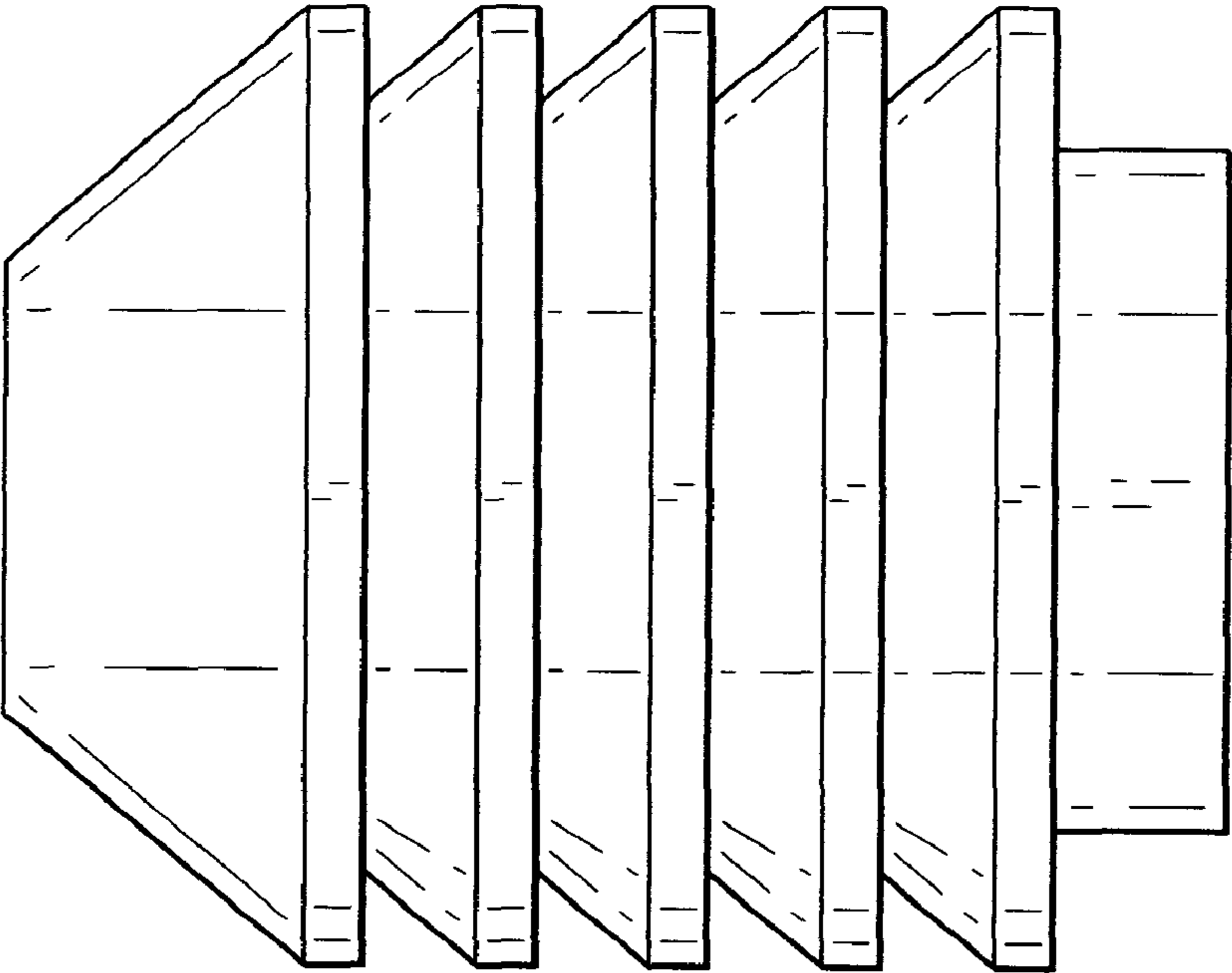
**Fig. 2**



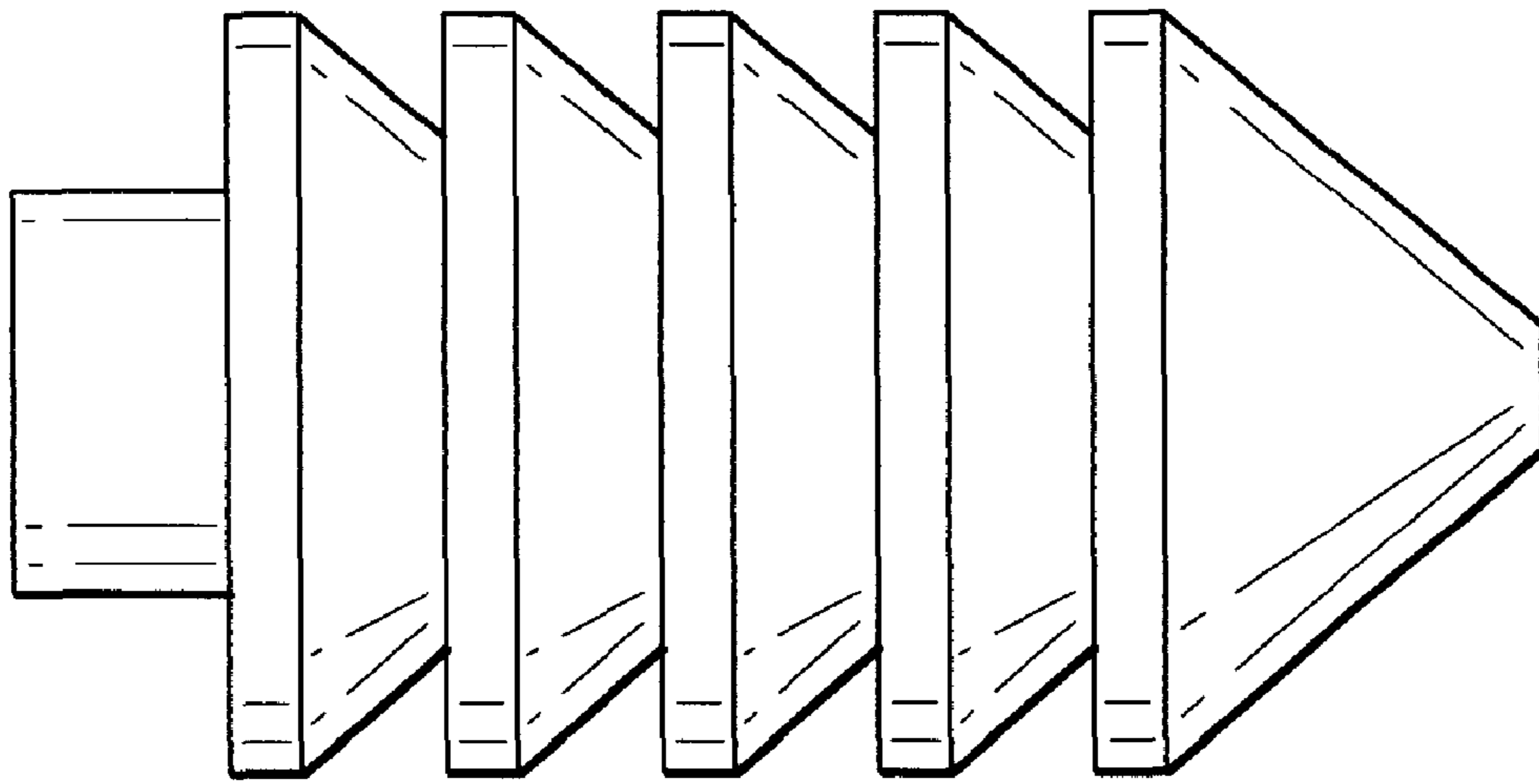
**Fig. 3**



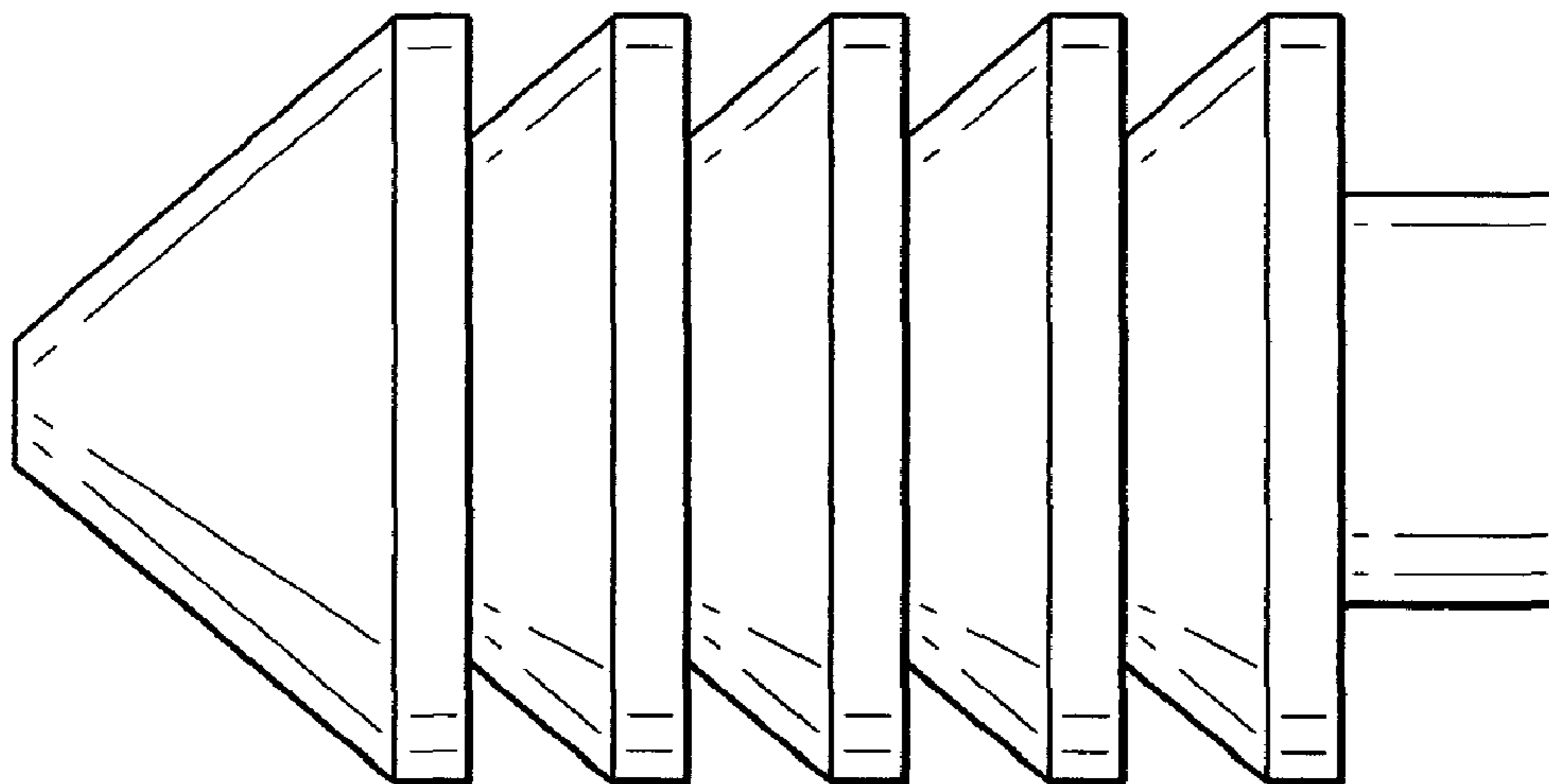
**Fig. 4**



**Fig. 5**



**Fig. 6**



**Fig. 7**