



US00D629105S

(12) **United States Design Patent**  
**Horton**

(10) **Patent No.:** **US D629,105 S**

(45) **Date of Patent:** **\*\* Dec. 14, 2010**

(54) **SPINOUS PROCESS IMPLANT**

(76) Inventor: **Kenneth L. Horton**, 174 Oxmoor Rd.,  
Birmingham, AL (US) 35209

(\*\*) Term: **14 Years**

(21) Appl. No.: **29/341,638**

(22) Filed: **Aug. 10, 2009**

(51) **LOC (9) Cl.** ..... **24-03**

(52) **U.S. Cl.** ..... **D24/155**

(58) **Field of Classification Search** ..... D24/155-157;  
606/60, 61, 73, 95, 213, 246, 248, 249; 623/23.61,  
623/23.56, 247, 213, 11.11, 16.14, 20.23,  
623/20.33, 33, 41, 17.11-17.16; D21/460;  
D8/382

See application file for complete search history.

(56) **References Cited**

**U.S. PATENT DOCUMENTS**

- D181,779 S \* 12/1957 Buralli ..... D21/460
- 4,501,269 A 2/1985 Bagby
- 4,581,962 A 4/1986 Marbourg
- 4,878,915 A \* 11/1989 Brantigan ..... 623/17.11
- 5,015,247 A 5/1991 Michelson
- 5,306,307 A 4/1994 Senter et al.
- 5,458,638 A \* 10/1995 Kuslich et al. .... 623/17.11
- 5,484,437 A 1/1996 Michelson
- 5,489,307 A 2/1996 Kuslich et al.
- 5,593,409 A 1/1997 Michelson
- D378,314 S \* 3/1997 Koros et al. .... D24/155
- 5,741,253 A 4/1998 Michelson
- 5,741,261 A 4/1998 Moskovitz et al.
- 5,860,973 A 1/1999 Michelson
- 5,954,635 A 9/1999 Foley et al.
- D416,189 S \* 11/1999 Bollman ..... D8/382
- 6,042,582 A 3/2000 Ray
- 6,045,580 A \* 4/2000 Scarborough et al. .... 623/17.11
- 6,080,155 A 6/2000 Michelson
- 6,210,412 B1 4/2001 Michelson
- 6,315,795 B1 \* 11/2001 Scarborough et al. .... 623/17.11
- 6,371,988 B1 4/2002 Pafford et al.
- 6,391,058 B1 \* 5/2002 Kuslich et al. .... 623/17.11
- 6,485,518 B1 11/2002 Cornwall et al.

- 6,520,907 B1 2/2003 Foley et al.
- 6,540,747 B1 4/2003 Marino
- 6,562,046 B2 5/2003 Sasso
- 6,579,319 B2 6/2003 Goble et al.
- 6,902,578 B1 6/2005 Anderson et al.
- 6,905,512 B2 \* 6/2005 Paes et al. .... 623/17.11

(Continued)

**FOREIGN PATENT DOCUMENTS**

WO 2000/022998 A1 4/2000

(Continued)

**OTHER PUBLICATIONS**

Mathews, "Percutaneous Interbody Fusions", Orthopedic Clinics of North America, Oct. 1, 1998, pp. 647-653, vol. 29, Issue 4, published by Elsevier, Inc.

(Continued)

*Primary Examiner*—Charles A Rademaker  
(74) *Attorney, Agent, or Firm*—Kenneth M. Bush; Gerald M. Walsh; Bush Intellectual Property Law

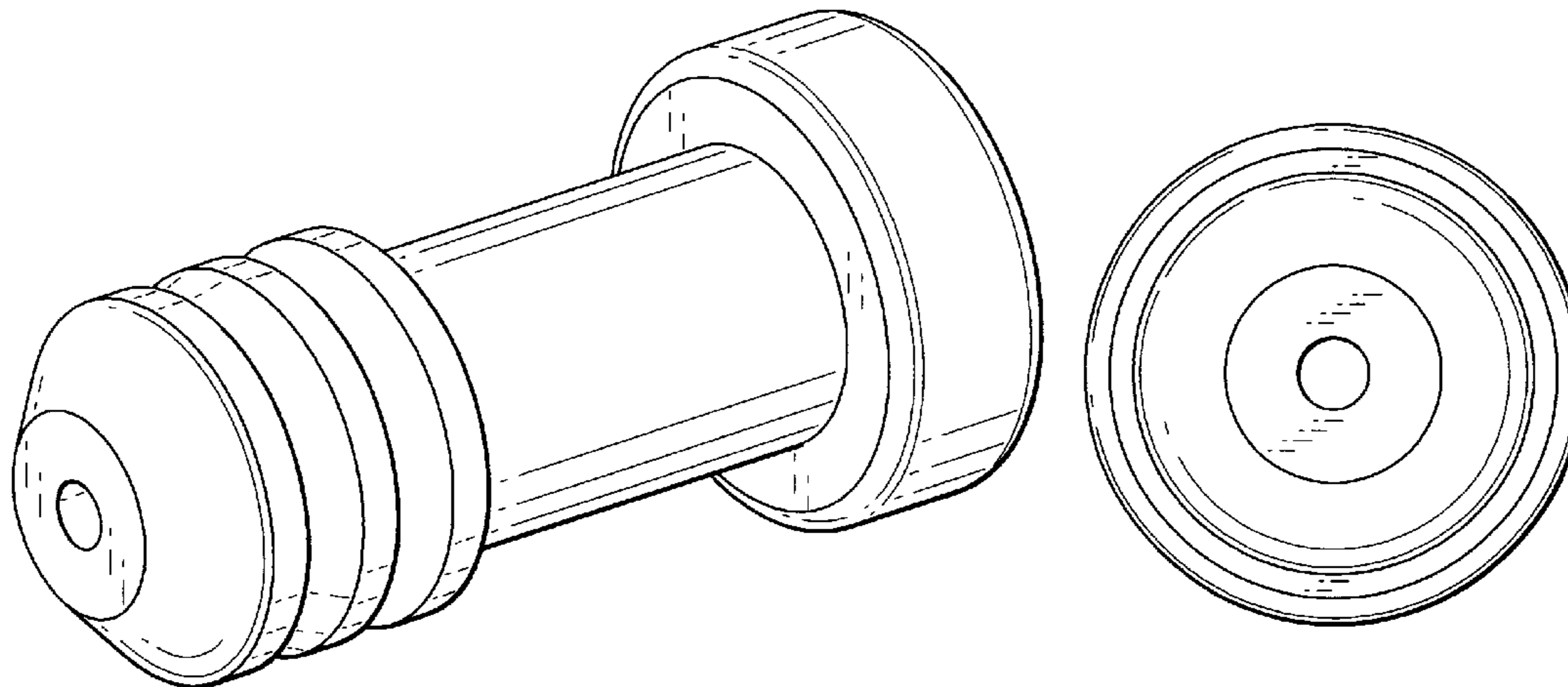
(57) **CLAIM**

I claim the ornamental design for a spinous process implant, as shown and described.

**DESCRIPTION**

FIG. 1 is a top front right perspective view of a spinous process implant showing my new design;  
FIG. 2 is a front elevation view thereof;  
FIG. 3 is a rear elevation view thereof; and,  
FIG. 4 is a side elevation view thereof.  
The spinous process implant is placed between adjacent spinous processes to limit the movement of the vertebrae.

**1 Claim, 2 Drawing Sheets**



# US D629,105 S

Page 2

## U.S. PATENT DOCUMENTS

6,923,810 B1 8/2005 Michelson  
6,923,811 B1 8/2005 Carl et al.  
6,942,698 B1 9/2005 Jackson  
7,223,269 B2 5/2007 Chappuis  
D563,212 S \* 3/2008 Campbell ..... D8/382  
D574,495 S 8/2008 Petersen  
D574,957 S 8/2008 Petersen  
D581,538 S 11/2008 Horton  
7,452,369 B2 11/2008 Barry  
D594,317 S \* 6/2009 Anthony ..... D8/382  
D595,855 S \* 7/2009 Petersen ..... D24/155  
2004/0087948 A1 5/2004 Suddaby  
2004/0143268 A1 7/2004 Falahee  
2004/0215344 A1 10/2004 Hochschuler et al.  
2005/0015150 A1 1/2005 Lee  
2005/0065516 A1 3/2005 Jahng  
2005/0149030 A1 7/2005 Serhan et al.  
2006/0036264 A1 2/2006 Selover et al.  
2006/0064099 A1 3/2006 Pavlov et al.  
2006/0111779 A1 5/2006 Petersen

2006/0111782 A1 5/2006 Petersen  
2007/0250166 A1 10/2007 McKay  
2008/0255667 A1 10/2008 Horton  
2009/0131986 A1 5/2009 Lee et al.

## FOREIGN PATENT DOCUMENTS

WO 2007/120903 A2 10/2007

## OTHER PUBLICATIONS

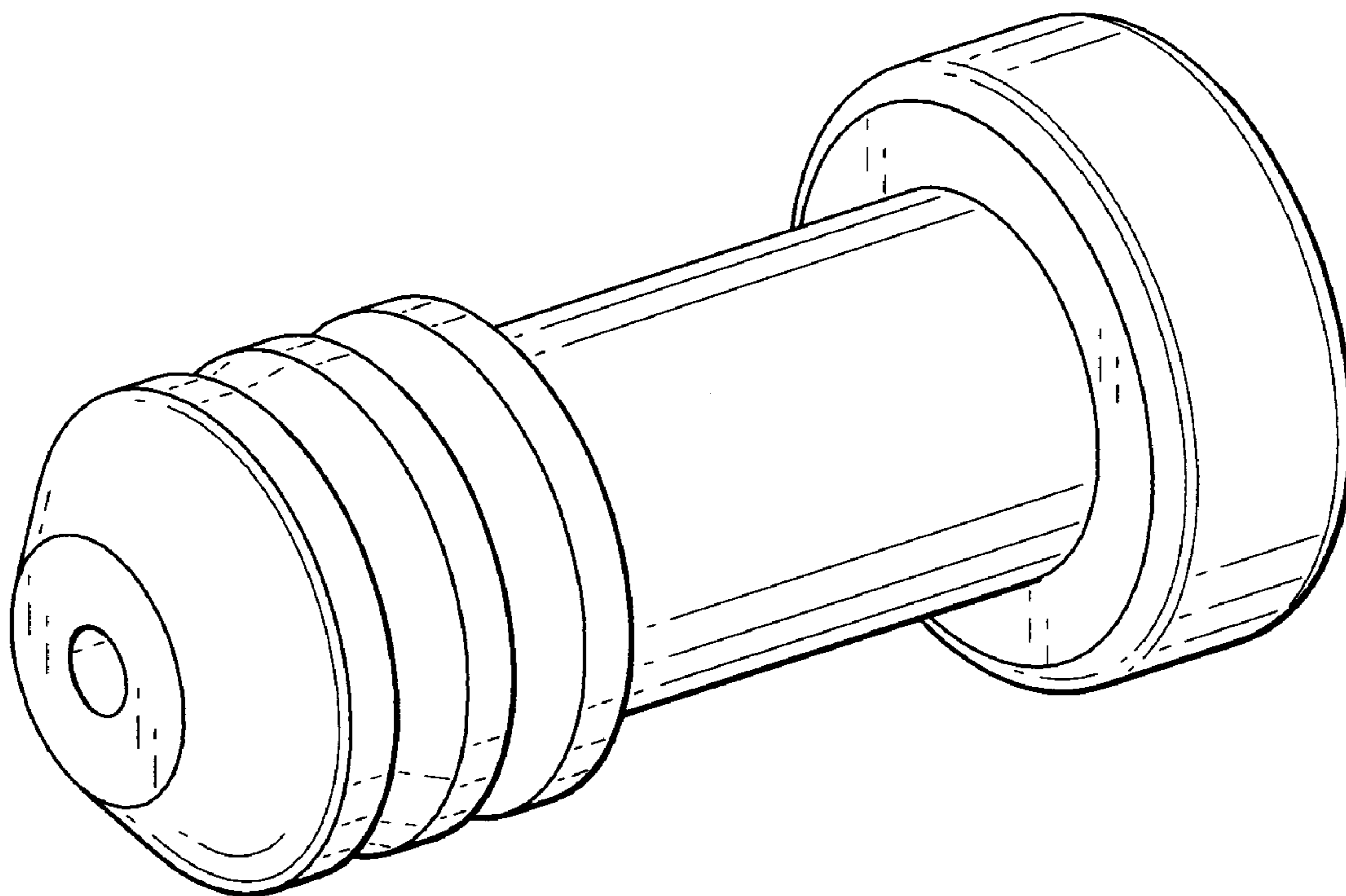
Polly, Jr. et al., "Surgical Treatment for the Painful Motion Segment", Spine, 2005, pp. S44-S51, vol. 30, No. 16S, published by Lippincott Williams & Wilkins, Inc.

Powers, et al., "Minimally Invasive Fusion and Fixation Techniques", Neurosurgery Clinics of North America, Oct. 2006, pp. 447-489, vol. 17, Issue 4, published by Elsevier, Inc.

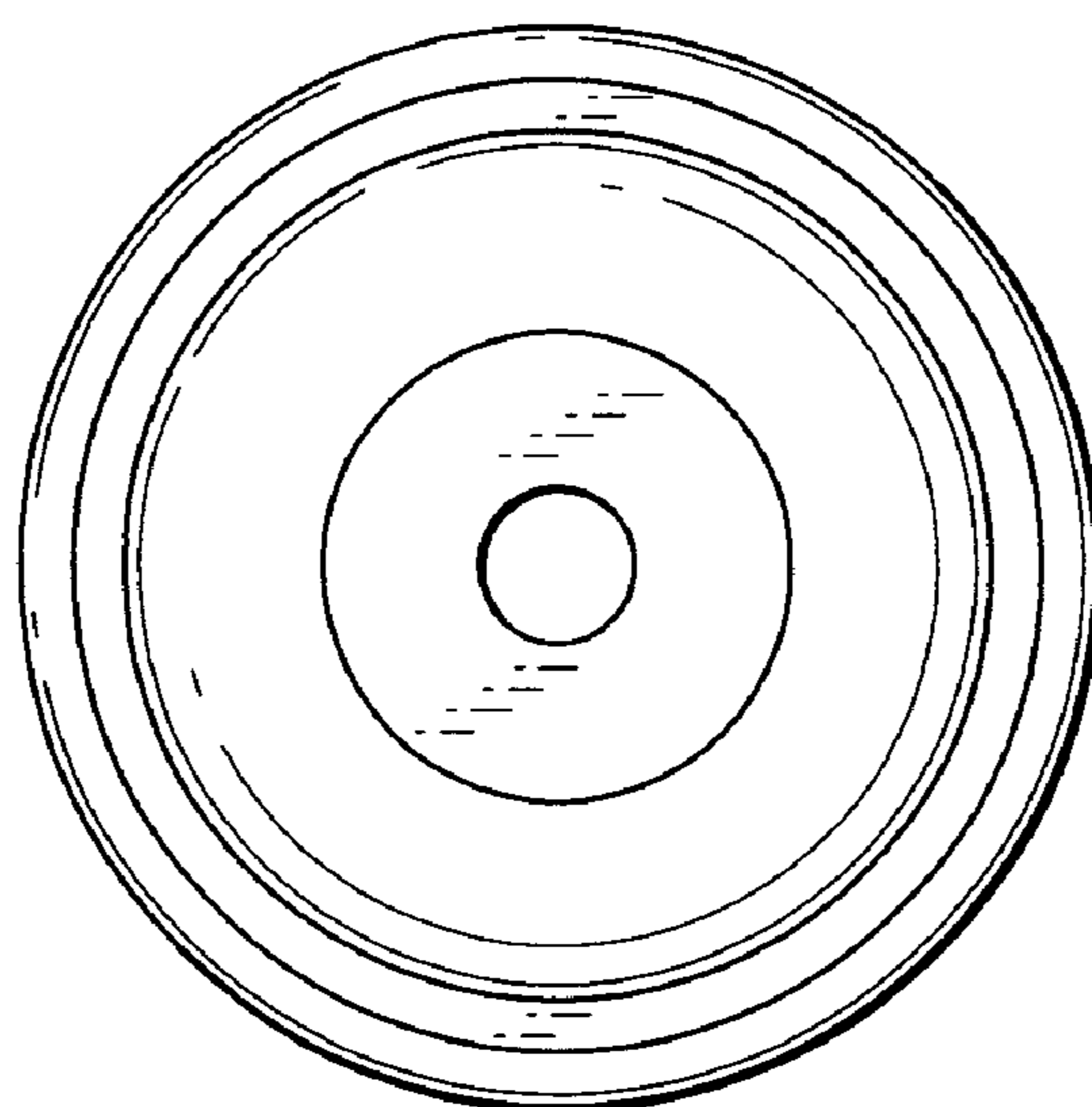
Seldomridge, et al., "Minimally Invasive Spine Surgery", The American Journal of Orthopedics, May 2005, pp. 224-232.

Stein, et al., "Percutaneous Facet Joint Fusion: Preliminary Experience", Journal of Vascular and Interventional Radiology, Jan.-Feb. 1993, pp. 69-74, vol. 4, No. 1.

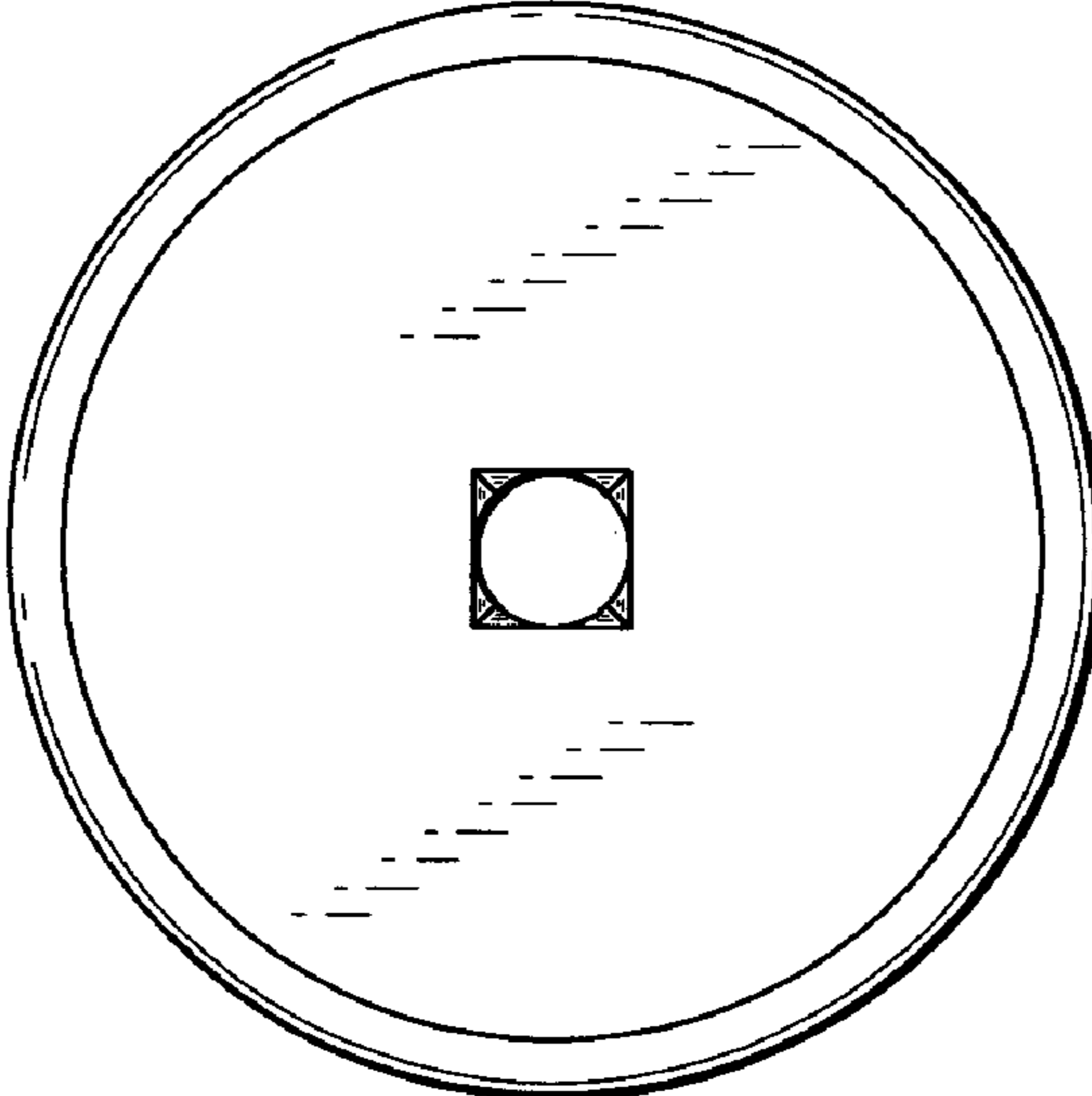
\* cited by examiner



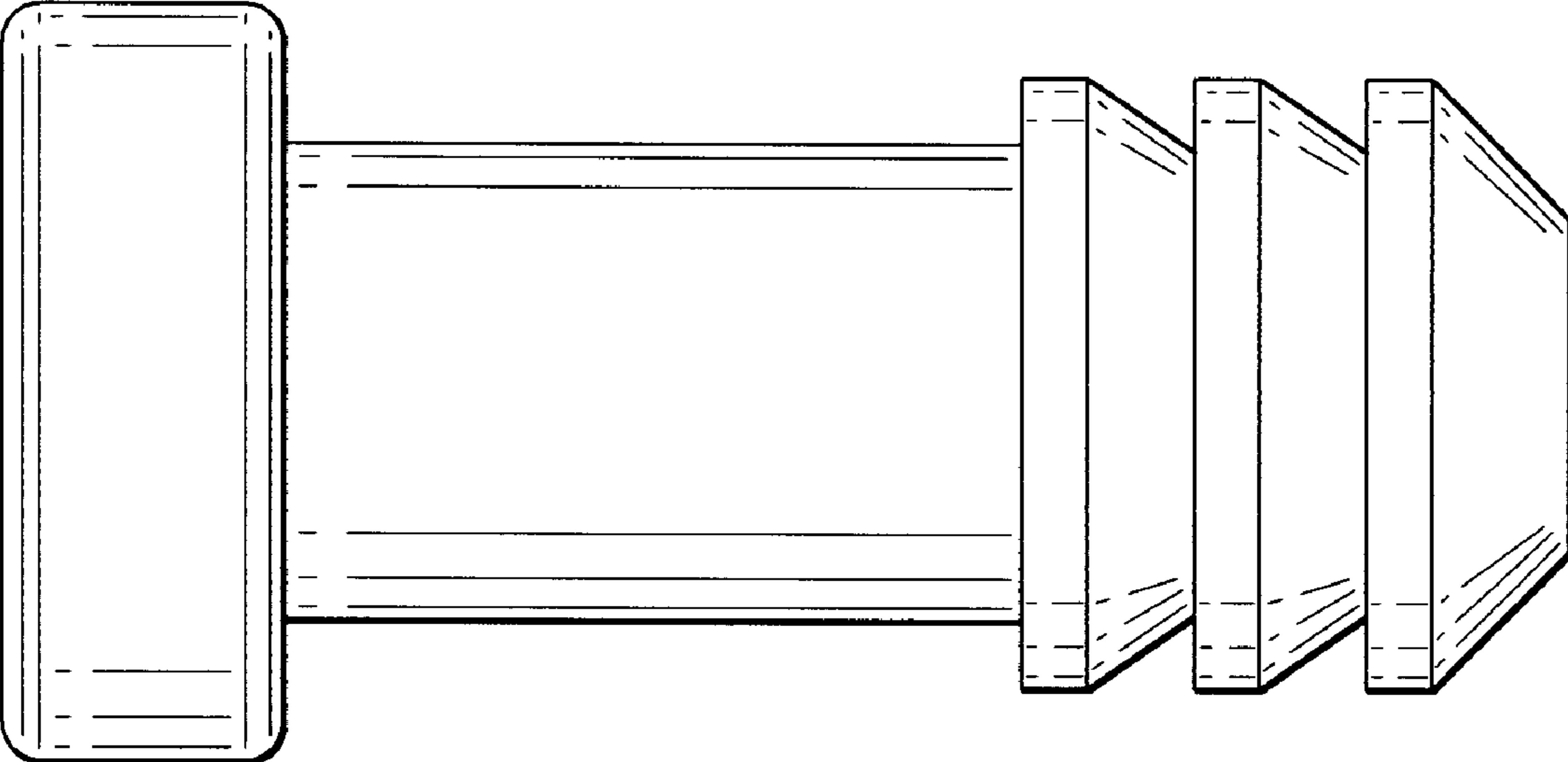
**Fig. 1**



**Fig. 2**



**Fig. 3**



**Fig. 4**