



US00D629102S

(12) **United States Design Patent**
Murias et al.

(10) **Patent No.:** **US D629,102 S**

(45) **Date of Patent:** **** Dec. 14, 2010**

(54) **DENTAL MANUAL DRIVER**

(75) Inventors: **German L. Murias**, 7000 W. 12th Ave., Suite 7, Hialeah, FL (US) 33014; **Andy Gurczak**, Schaumburg, IL (US); **Mohammad Ali Jamnia**, Chicago, IL (US); **Ravi P. Seeralan**, Buffalo Grove, IL (US); **David W. Tipton**, Rolling Meadows, IL (US)

(73) Assignee: **German L. Murias**, Hialeah, FL (US)

(**) Term: **14 Years**

(21) Appl. No.: **29/345,880**

(22) Filed: **Oct. 23, 2009**

(51) **LOC (9) Cl.** **24-02**

(52) **U.S. Cl.** **D24/152**

(58) **Field of Classification Search** D24/152;
D8/107, 83, 16, 88, 89, 397; D28/65; 606/80;
417/420, 11; 433/141, 102; 385/176

See application file for complete search history.

(56) **References Cited**

U.S. PATENT DOCUMENTS

D35,610 S *	1/1902	Vernon	D24/152
D42,321 S *	3/1912	Gilbert	D8/83
D88,859 S *	1/1933	Curtis	D8/83
D160,160 S *	9/1950	Friedman	D24/152
D235,131 S *	5/1975	Covey	D8/83
D241,520 S *	9/1976	Fujita et al.	D8/397
D285,835 S *	9/1986	Hanses	D24/152

D427,681 S *	7/2000	Maissami	D24/152
D587,369 S *	2/2009	Hickok	D24/152
2005/0186534 A1 *	8/2005	Roane	433/102

* cited by examiner

Primary Examiner—Charles A Rademaker

(74) *Attorney, Agent, or Firm*—Melvin K. Silverman; Yi Li

(57) **CLAIM**

The ornamental design for a dental manual driver, as shown and described.

DESCRIPTION

FIG. 1 is a perspective view of a dental manual driver, showing our new design;

FIG. 2 is a top elevational view thereof, the opposite side being a mirror image;

FIG. 3 is a right side elevational view thereof;

FIG. 4 is a left side elevational view thereof;

FIG. 5 is a front elevational view thereof;

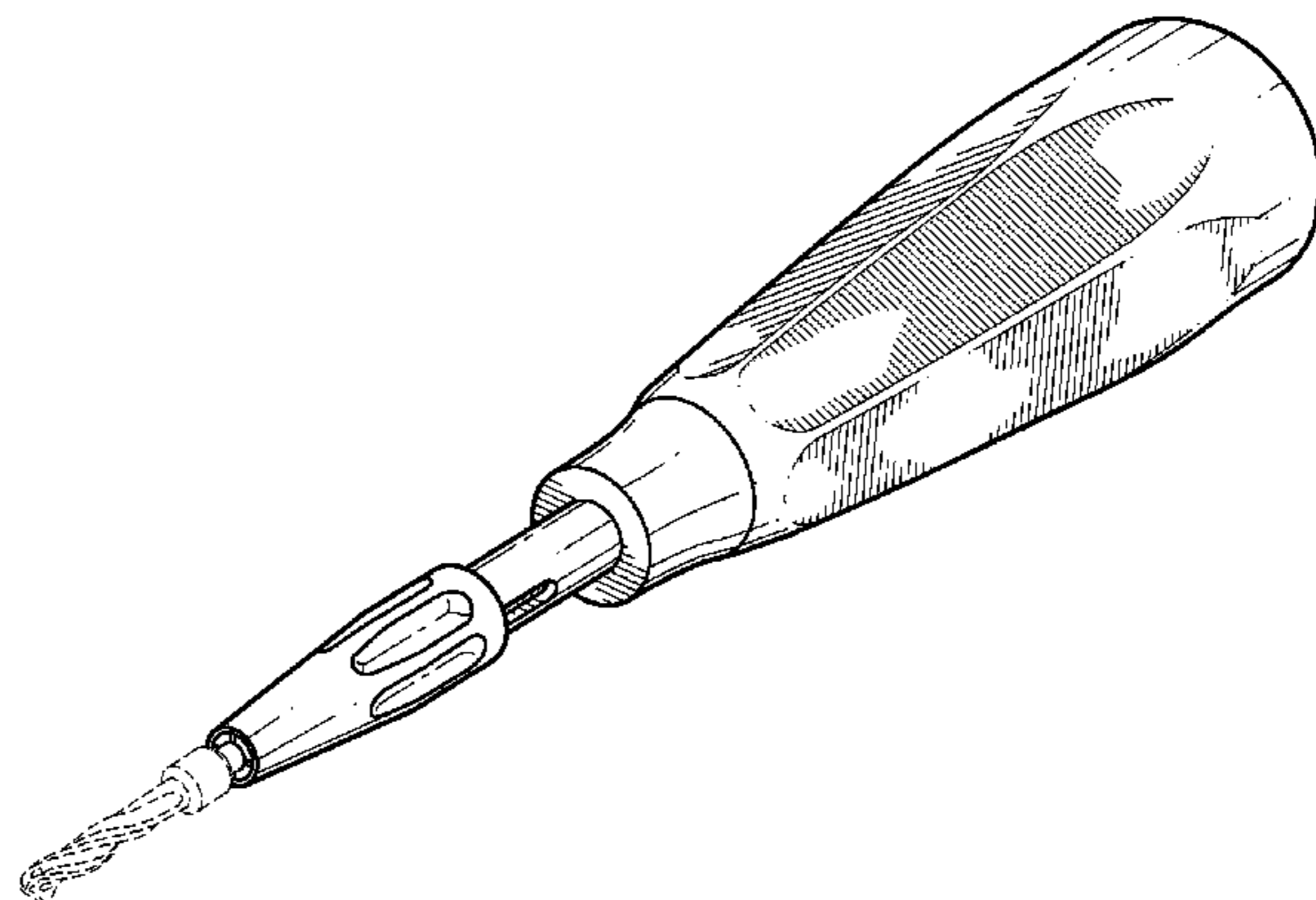
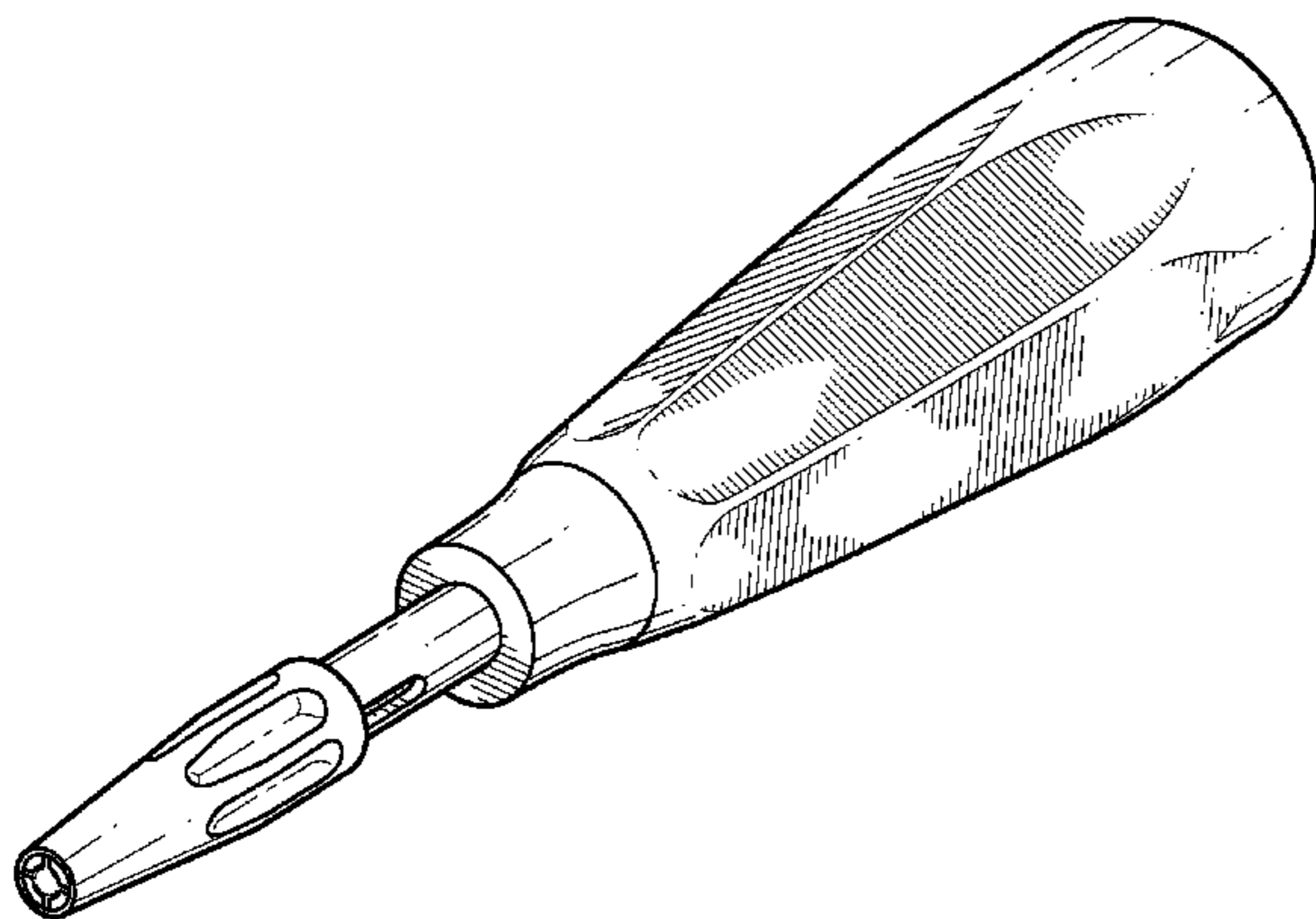
FIG. 6 is a rear elevational view thereof;

FIG. 7 is a partial cross-section along the plane of lines VII—VII of FIG. 3 with a sleeve removed and showing a dental drill in phantom; and,

FIG. 8 is a perspective view of the dental manual driver of FIG. 1, showing a dental drill in phantom.

The dental drill shown in broken lines in FIGS. 7 and 8 is only for the purpose of illustrating the environment in which this invention is used, and forms no part of the claimed design.

1 Claim, 4 Drawing Sheets



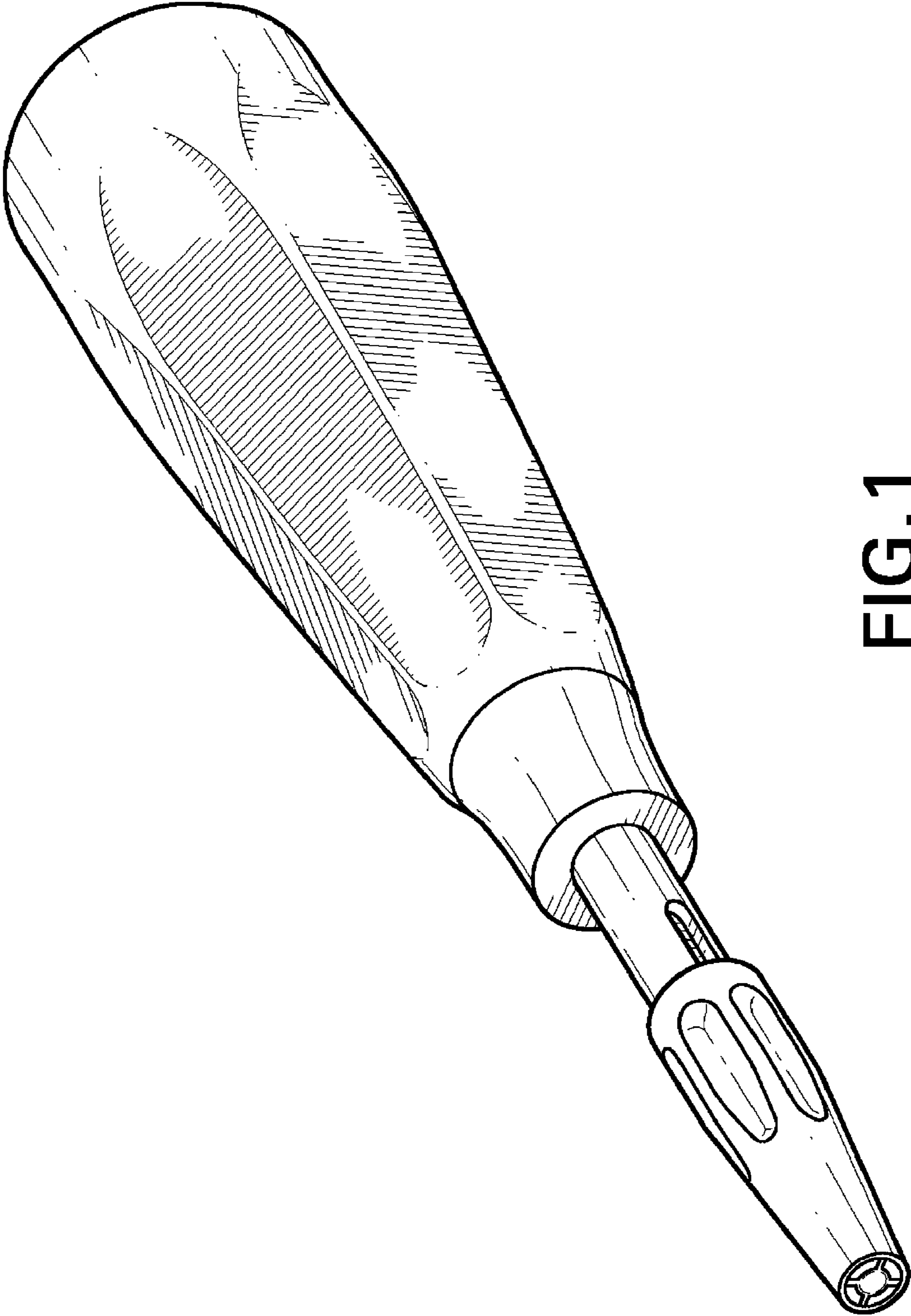


FIG. 1

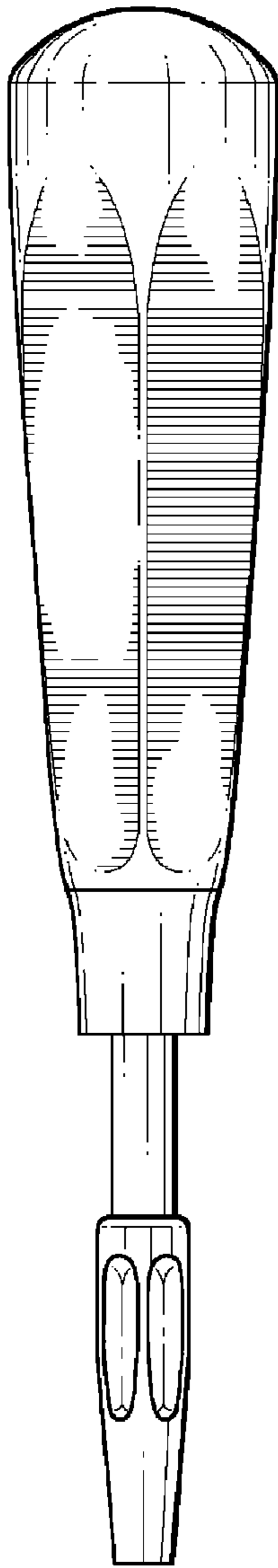


FIG. 2

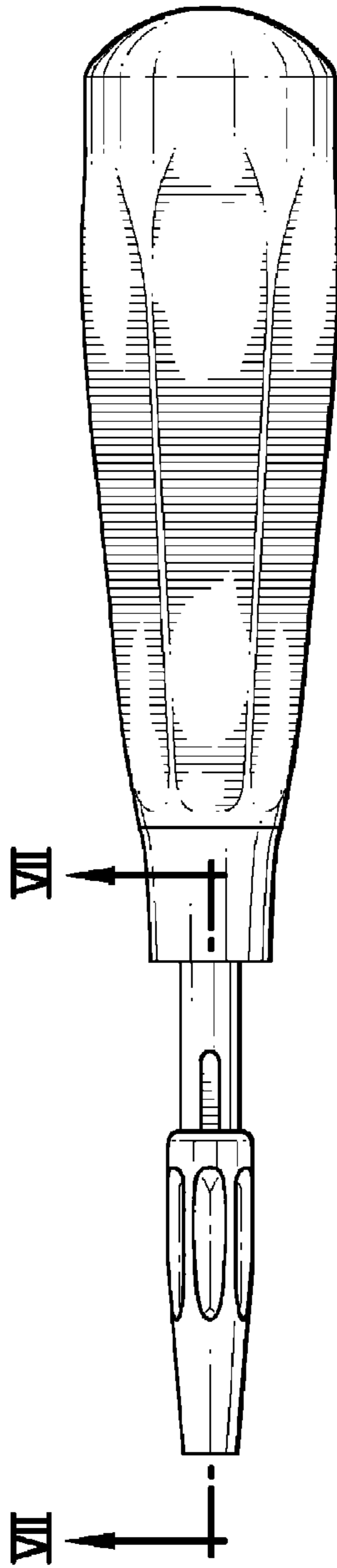


FIG. 3

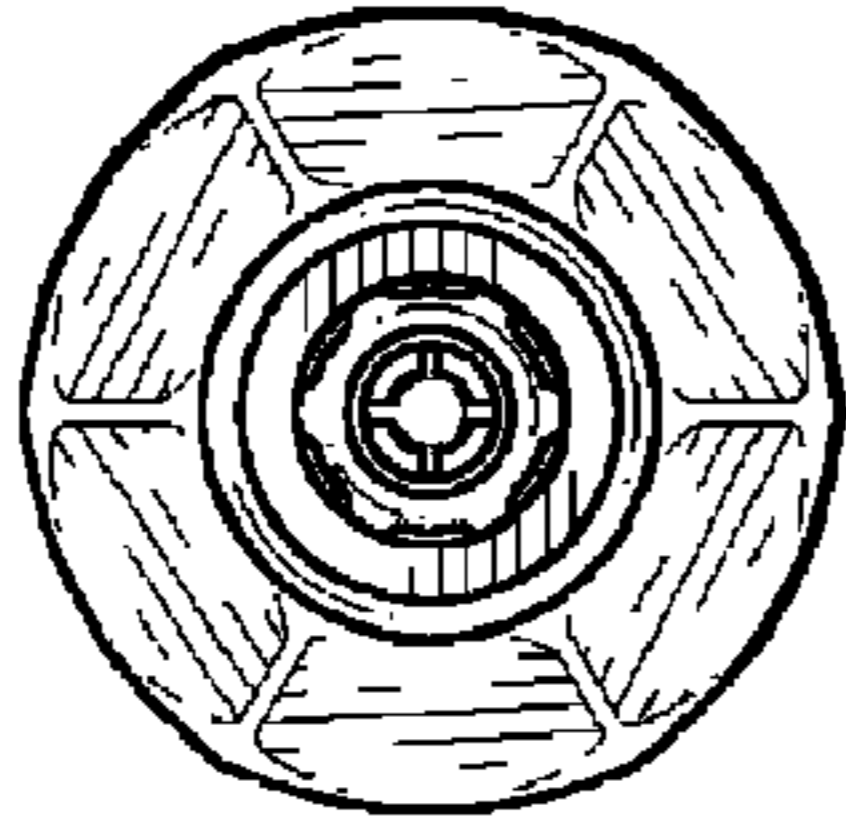


FIG. 5

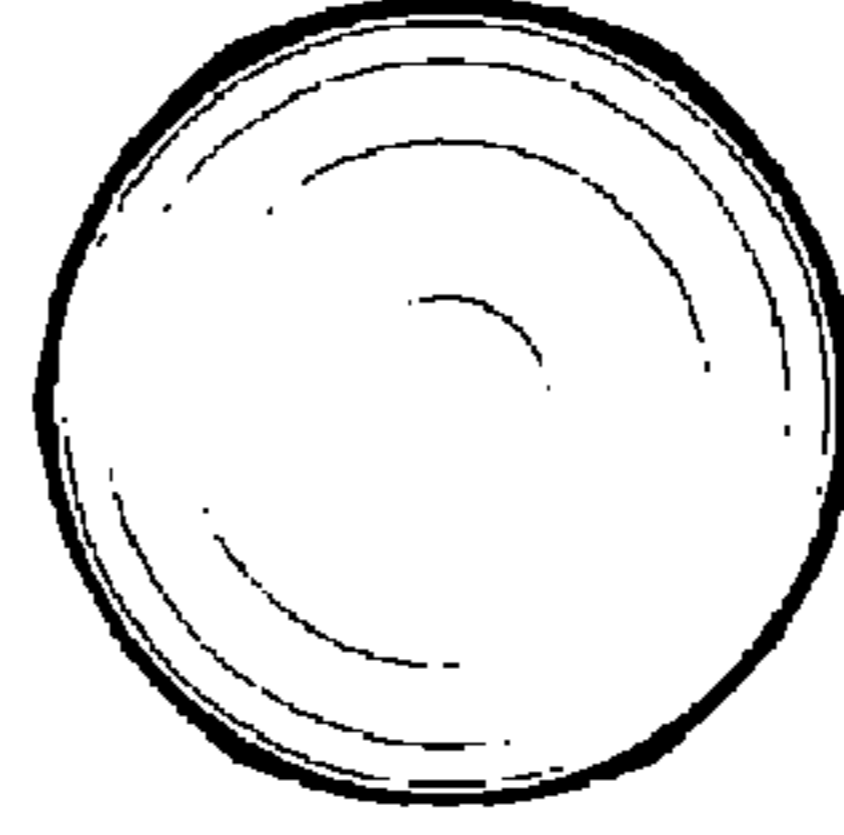


FIG. 6

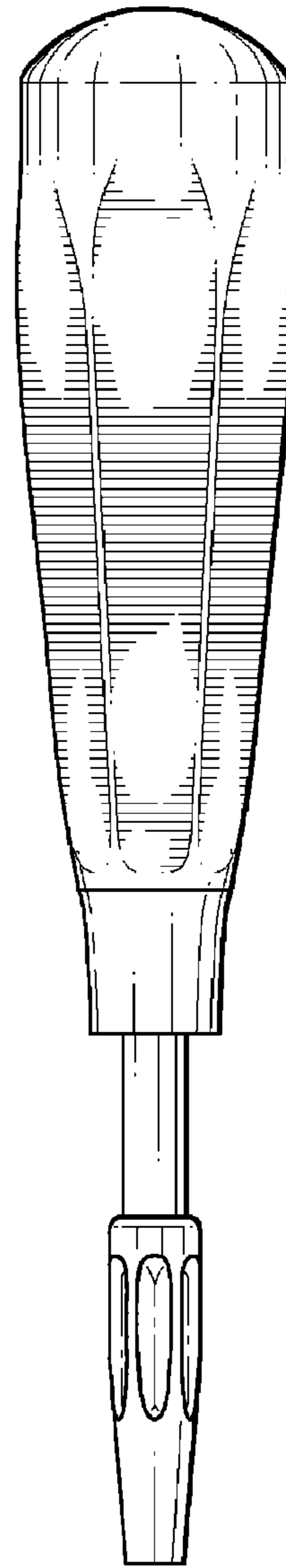


FIG. 4

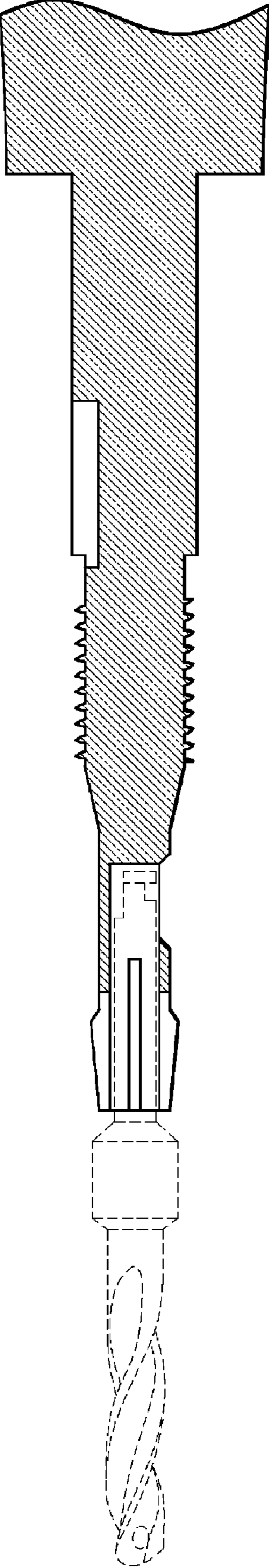


FIG.7

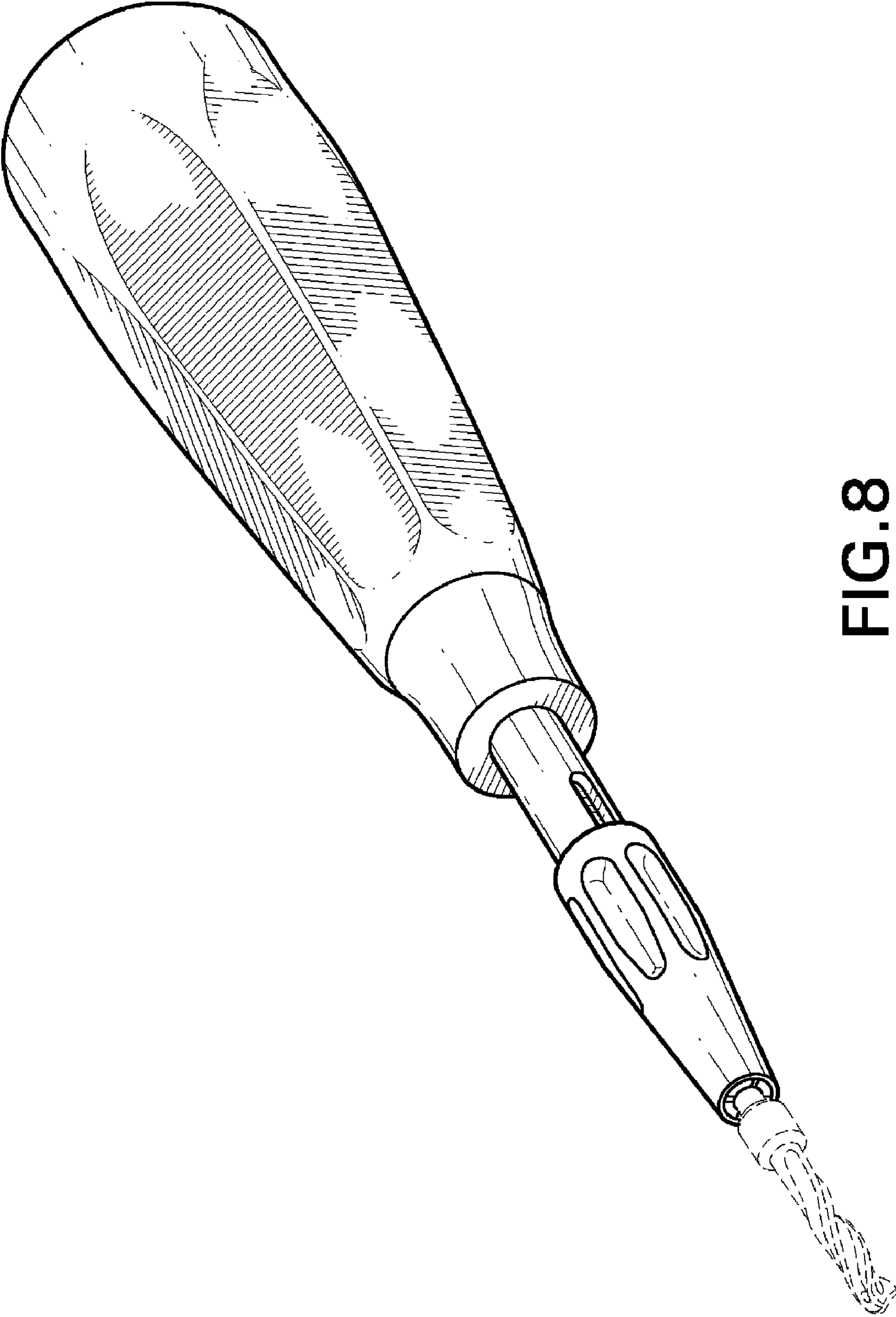


FIG. 8