



US00D629100S

(12) **United States Design Patent**
Doll et al.

(10) **Patent No.:** **US D629,100 S**
(45) **Date of Patent:** **** Dec. 14, 2010**

(54) **BIPOLAR ELECTRODE**

(75) Inventors: **Frank Doll**, Talheim (DE); **Alexander Kupferschmid**, Emmingen-Liptingen (DE)

(73) Assignee: **Karl Storz GmbH & Co. KG** (DE)

(**) Term: **14 Years**

(21) Appl. No.: **29/353,806**

(22) Filed: **Jan. 14, 2010**

(30) **Foreign Application Priority Data**

Jul. 14, 2009 (EM) 001581810-0013

(51) **LOC (9) Cl.** **24-02**

(52) **U.S. Cl.** **D24/144**

(58) **Field of Classification Search** D24/133,
D24/143-144, 147; D10/78, 80; 600/372;
606/48, 50, 32, 47, 49, 211

See application file for complete search history.

(56) **References Cited**

U.S. PATENT DOCUMENTS

4,686,980	A *	8/1987	Williams et al.	606/48
D344,903	S *	3/1994	Gampp et al.	D10/78
5,702,390	A *	12/1997	Austin et al.	606/48
5,733,283	A *	3/1998	Malis et al.	606/48
5,855,061	A *	1/1999	Malis et al.	606/48
D547,866	S *	7/2007	Malis	D24/144
D560,278	S *	1/2008	Malis	D24/144
2010/0191151	A1 *	7/2010	Kwak	600/585

OTHER PUBLICATIONS

Storz Advertising Literature—"The World of Endoscopy: Urology"; 8th Edition; Jan. 2008; 2 pages.

* cited by examiner

Primary Examiner—Ian Simmons

Assistant Examiner—Wan Laymon

(74) *Attorney, Agent, or Firm*—St. Onge Steward Johnston & Reens LLC

(57) **CLAIM**

The ornamental design for a bipolar electrode, as shown and described.

DESCRIPTION

FIG. 1 is a top perspective view of a bipolar electrode in accordance with the new design;

FIG. 2 is a top plan view thereof;

FIG. 3 is a bottom plan view thereof;

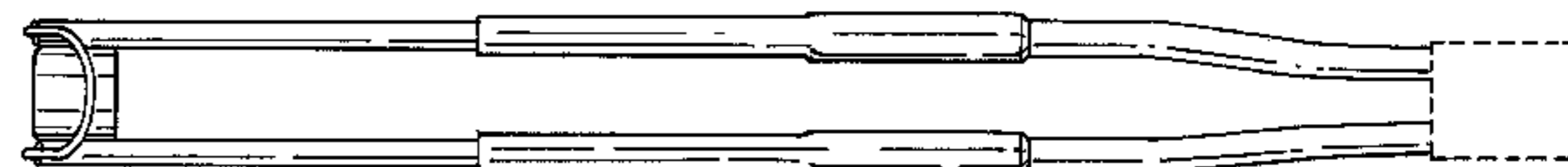
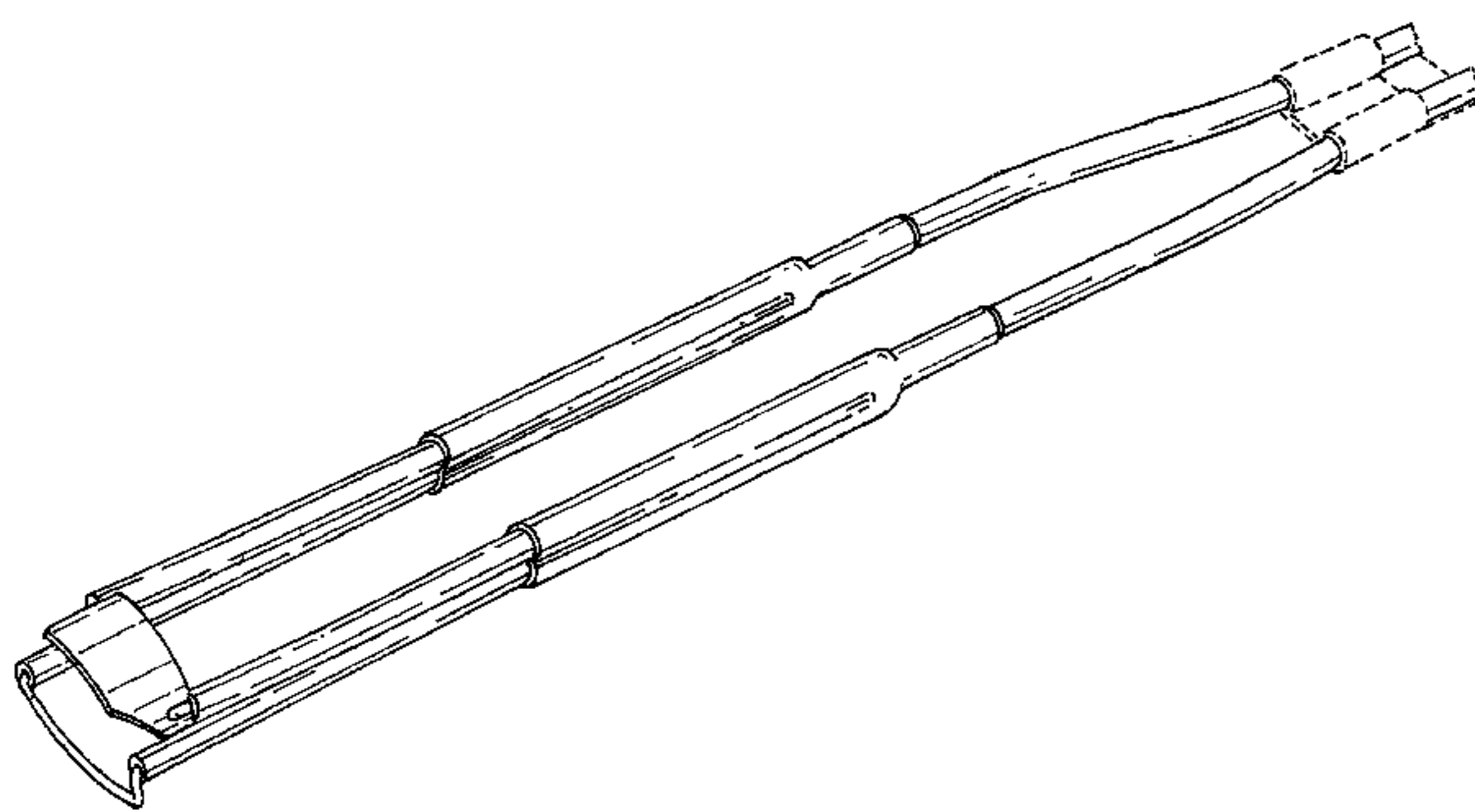
FIG. 4 is a right side perspective view thereof, the left side perspective view being a mirror image thereof;

FIG. 5 is a rear perspective view thereof; and,

FIG. 6 is a front perspective view thereof.

The broken lines immediately adjacent to the claimed areas in the views represent the boundaries of the design. The broken lines showing portions of a bipolar electrode are included for the purpose of illustrating environmental structure and form no part of the claimed design. None of the broken lines form any part of the claimed design.

1 Claim, 3 Drawing Sheets



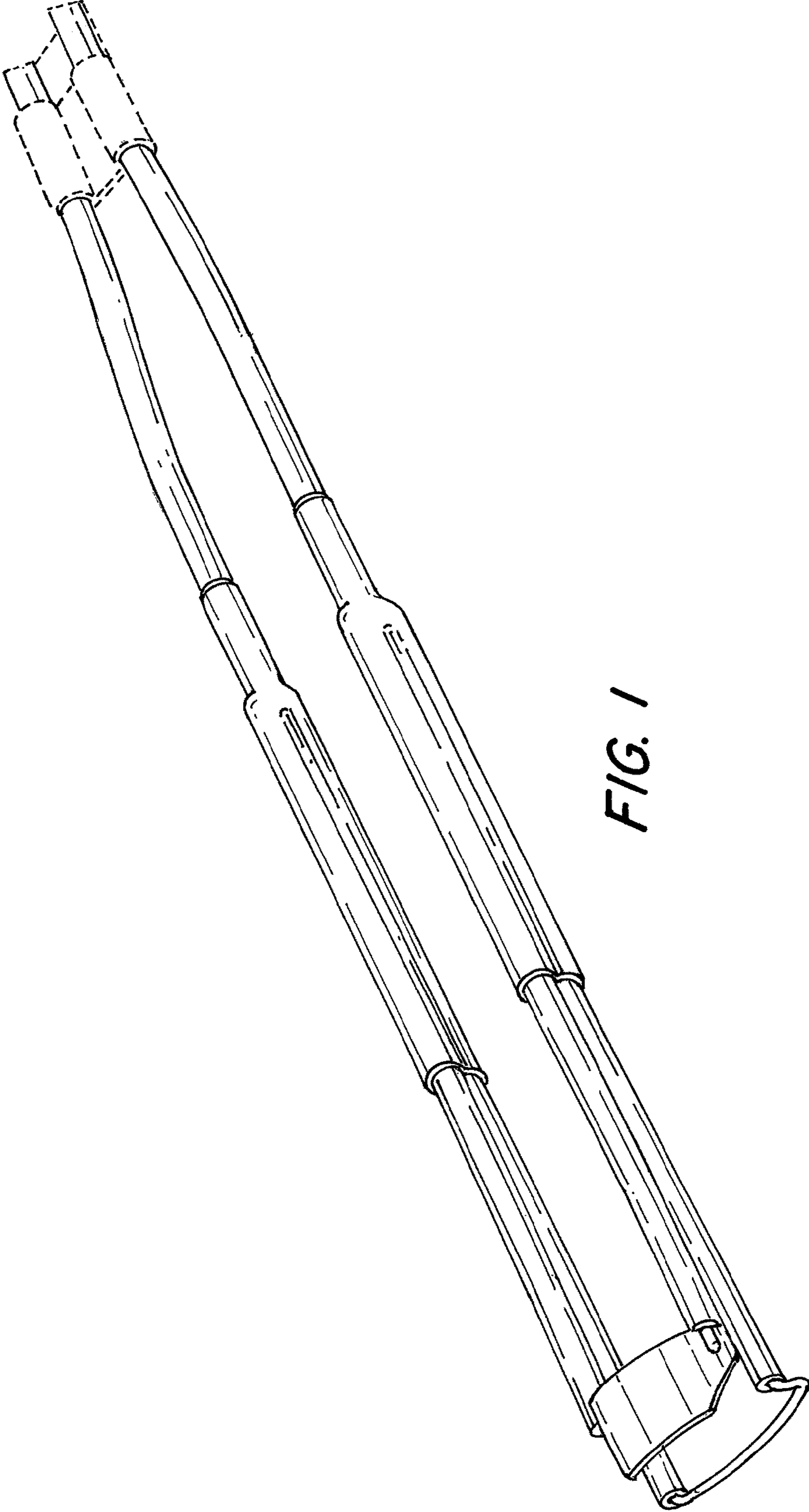


FIG. 1

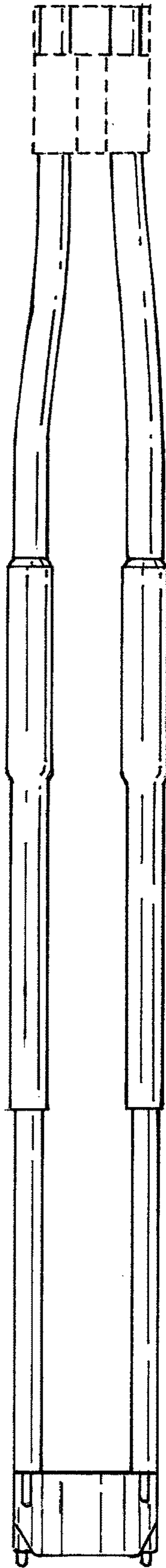


FIG. 2

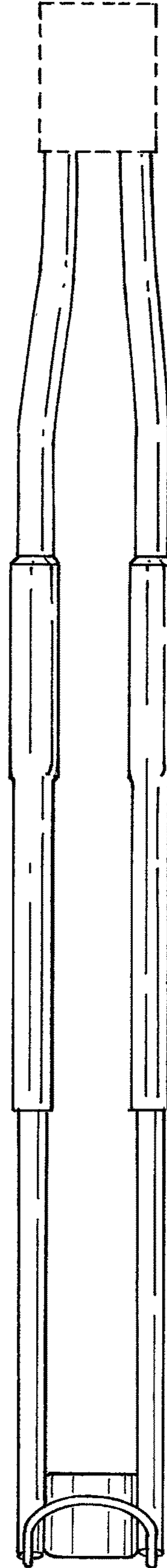


FIG. 3

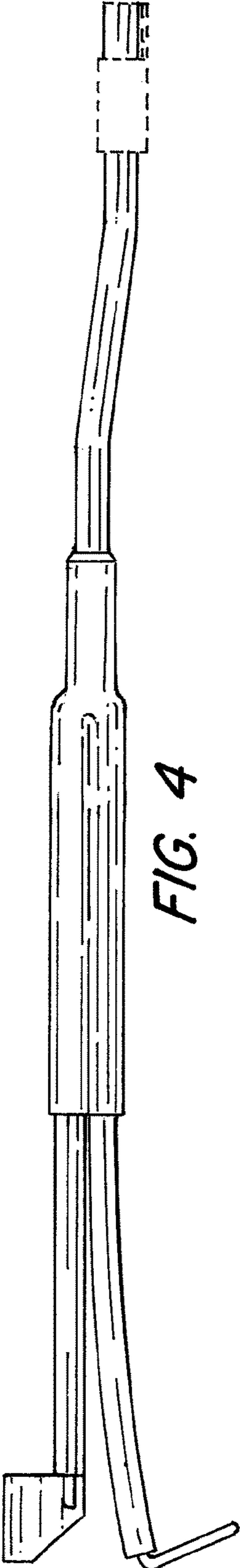


FIG. 4

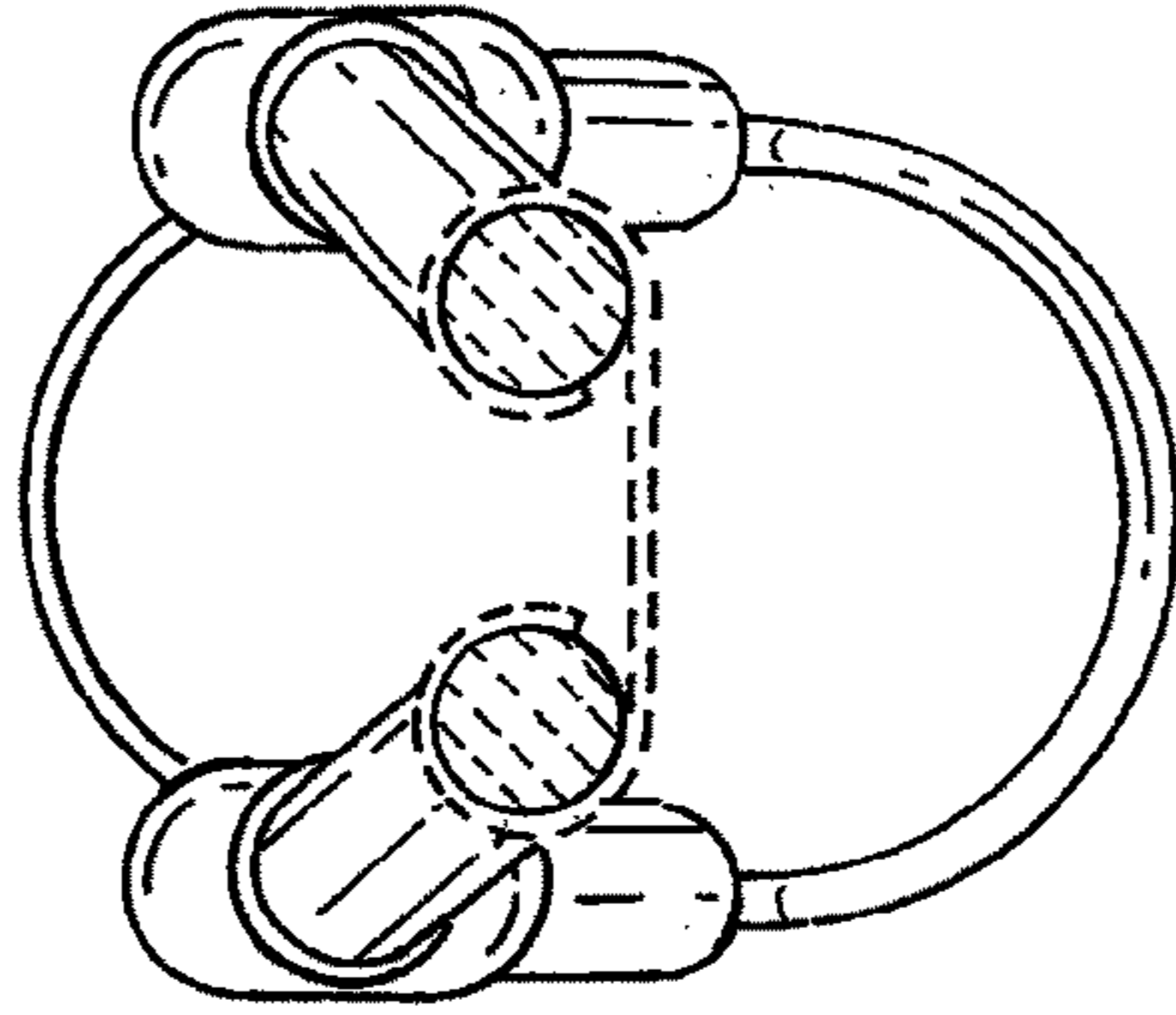


FIG. 6

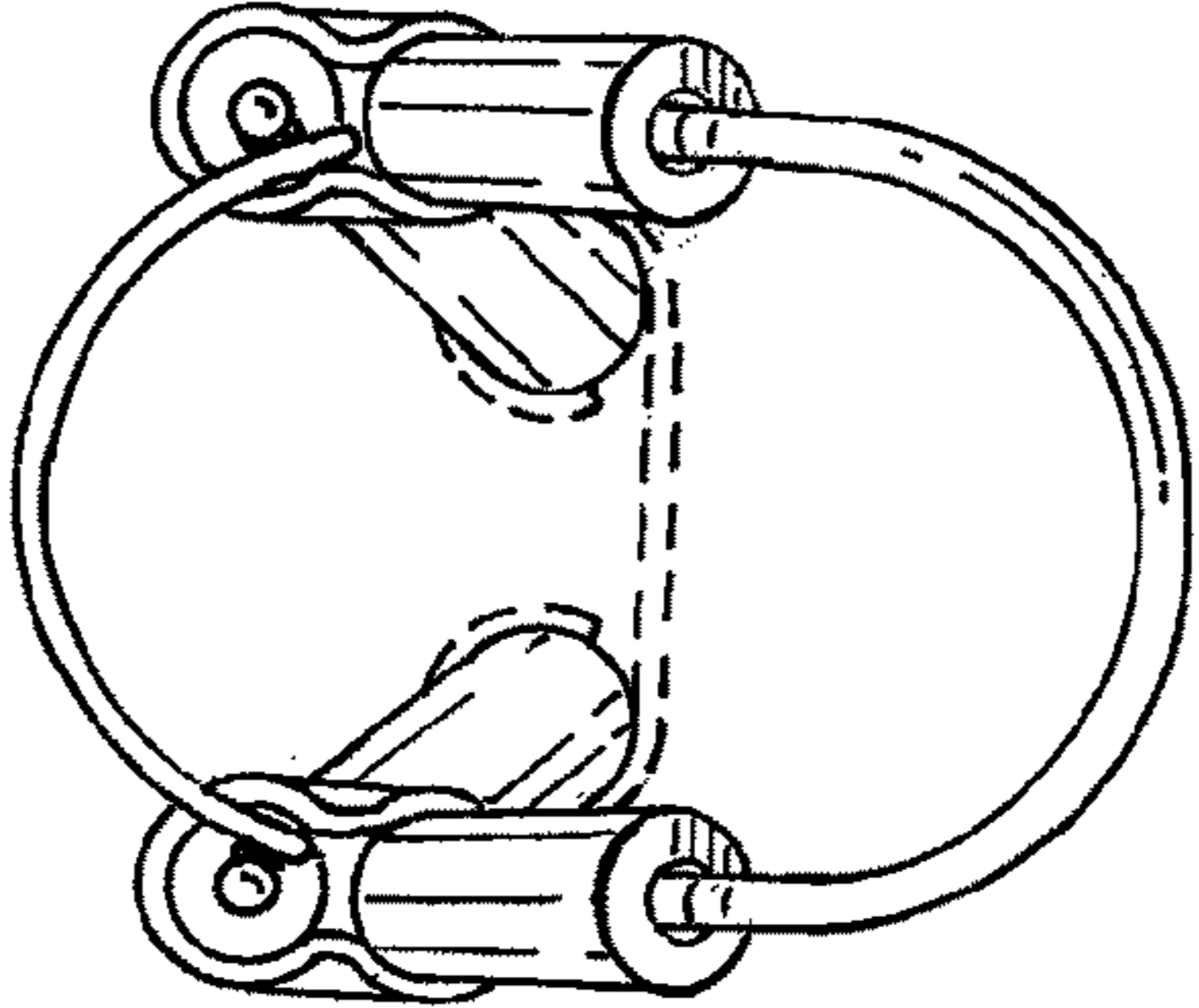


FIG. 5