



US00D629099S

(12) **United States Design Patent**
Kilani

(10) **Patent No.:** **US D629,099 S**

(45) **Date of Patent:** **** Dec. 14, 2010**

(54) **SHAFT FOR IN-VITRO-FERTILIZATION**

D615,200 S * 5/2010 Hahn et al. D24/138

(75) Inventor: **Zaid Kilani**, Amman (JO)

OTHER PUBLICATIONS

(73) Assignee: **Karl Storz GmbH & Co. KG** (DE)

Storz Advertising Literature—"The World of Endoscopy: Gynecology"; 5th Edition; Jan. 2008; 4 pages.

(**) Term: **14 Years**

* cited by examiner

(21) Appl. No.: **29/353,819**

Primary Examiner—Bridget L Eland

(22) Filed: **Jan. 14, 2010**

(74) *Attorney, Agent, or Firm*—St. Onge Steward Johnston & Reens LLC

(30) **Foreign Application Priority Data**

(57) **CLAIM**

Jul. 14, 2009 (EM) 001581810-0011

The ornamental design for a shaft for in-vitro-fertilization, as shown and described.

(51) **LOC (9) Cl.** **24-02**

DESCRIPTION

(52) **U.S. Cl.** **D24/133**

(58) **Field of Classification Search** D24/133,
D24/107, 108, 137, 138; 600/101-183
See application file for complete search history.

FIG. 1 is a left side perspective view of a shaft for in-vitro-fertilization in accordance with the new design;

FIG. 2 is a left side elevation view thereof;

FIG. 3 is a right side elevation view thereof;

FIG. 4 is a top plan view thereof;

FIG. 5 is a bottom plan view thereof;

FIG. 6 is a front elevation view thereof; and,

FIG. 7 is a rear elevation view thereof.

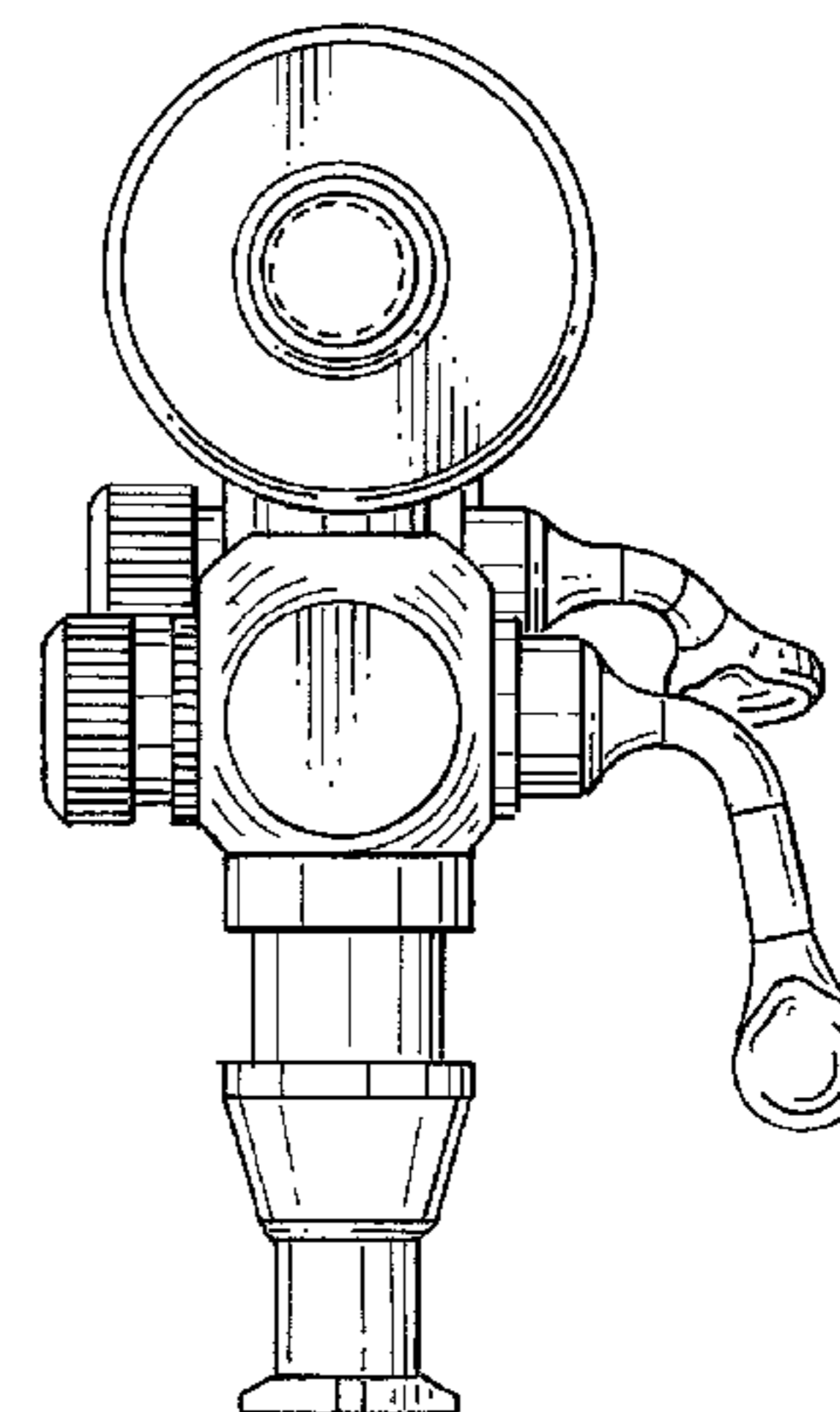
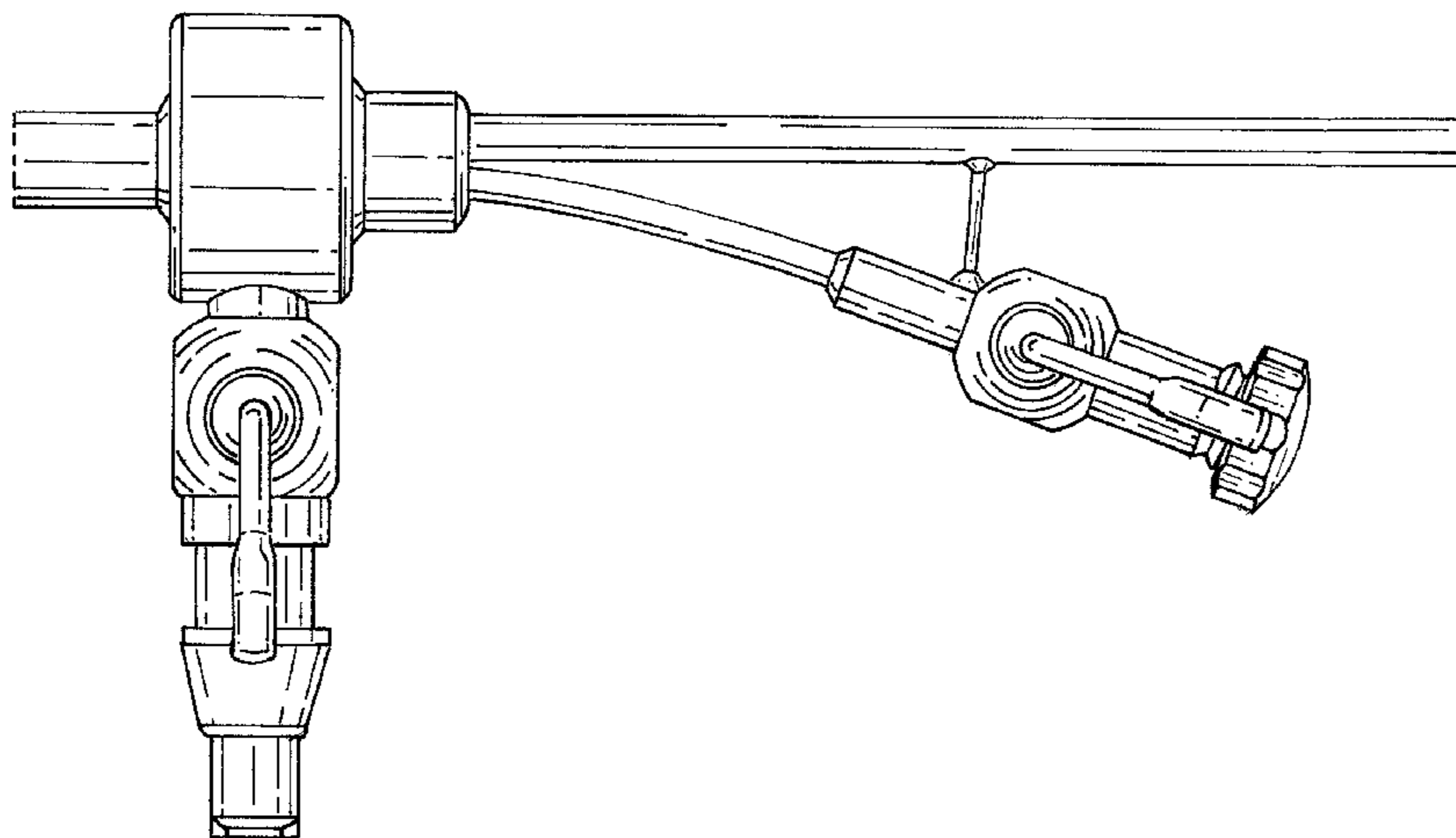
The broken lines immediately adjacent the claimed areas represent the bounds of the claimed design while all other broken lines are directed to environment and are for illustrative purposes only; the broken lines form no part of the claimed design.

(56) **References Cited**

U.S. PATENT DOCUMENTS

| | | | |
|--------------|---------|-------------------------|---------|
| D559,980 S * | 1/2008 | Rehbein et al. | D24/133 |
| D570,479 S * | 6/2008 | Rehbein et al. | D24/133 |
| D570,480 S * | 6/2008 | Rehbein et al. | D24/133 |
| D570,481 S * | 6/2008 | Rehbein et al. | D24/133 |
| D570,482 S * | 6/2008 | Bettocchi | D24/138 |
| D571,007 S * | 6/2008 | Rehbein et al. | D24/133 |
| D573,257 S * | 7/2008 | Rehbein et al. | D24/133 |
| D580,051 S * | 11/2008 | Rehbein et al. | D24/133 |
| D594,120 S * | 6/2009 | Berberich et al. | D24/133 |
| D594,121 S * | 6/2009 | Berberich et al. | D24/133 |
| D596,291 S * | 7/2009 | Berberich et al. | D24/133 |
| D606,193 S * | 12/2009 | Oberlaender et al. | D24/146 |

1 Claim, 7 Drawing Sheets



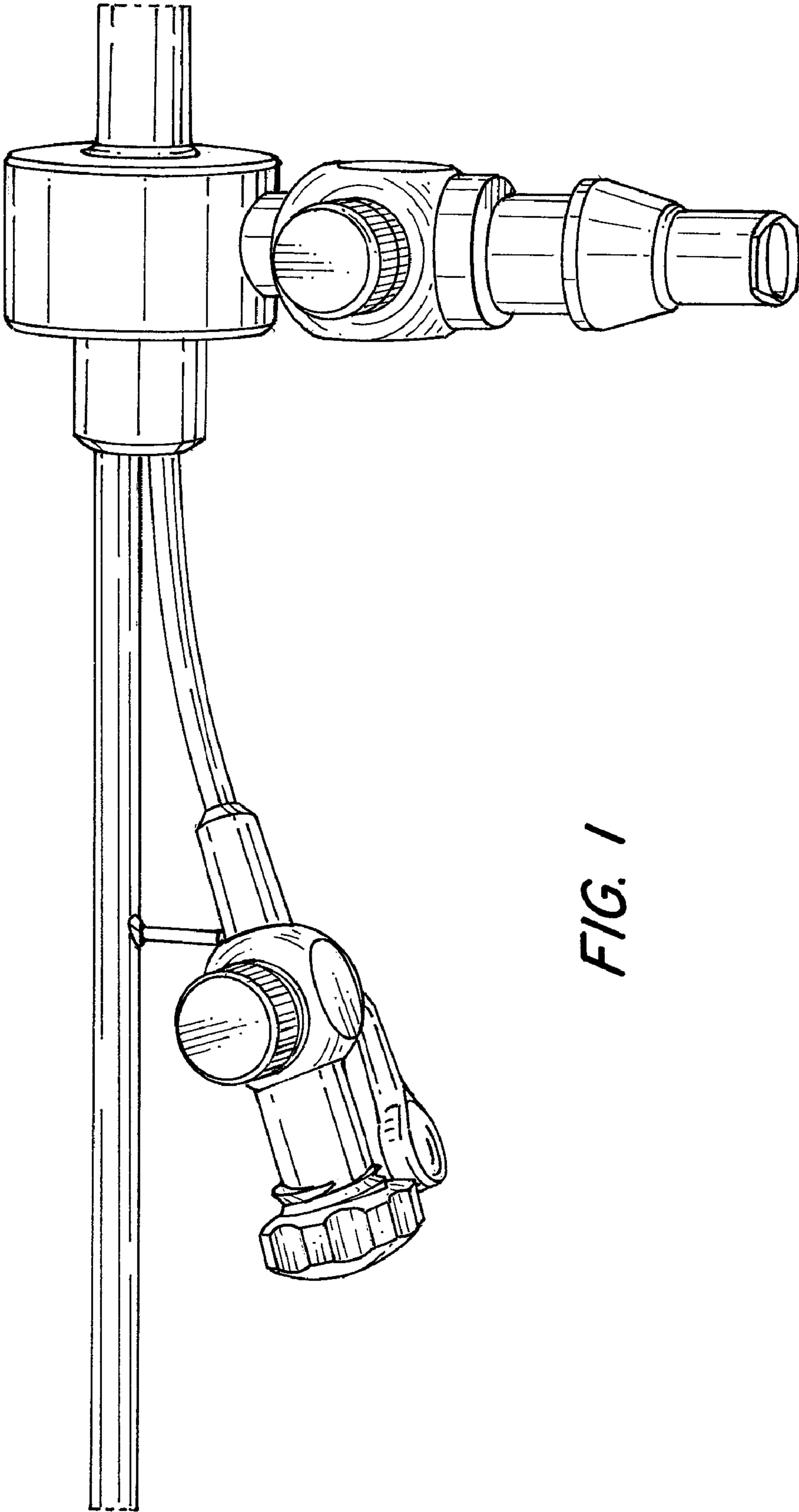


FIG. 1

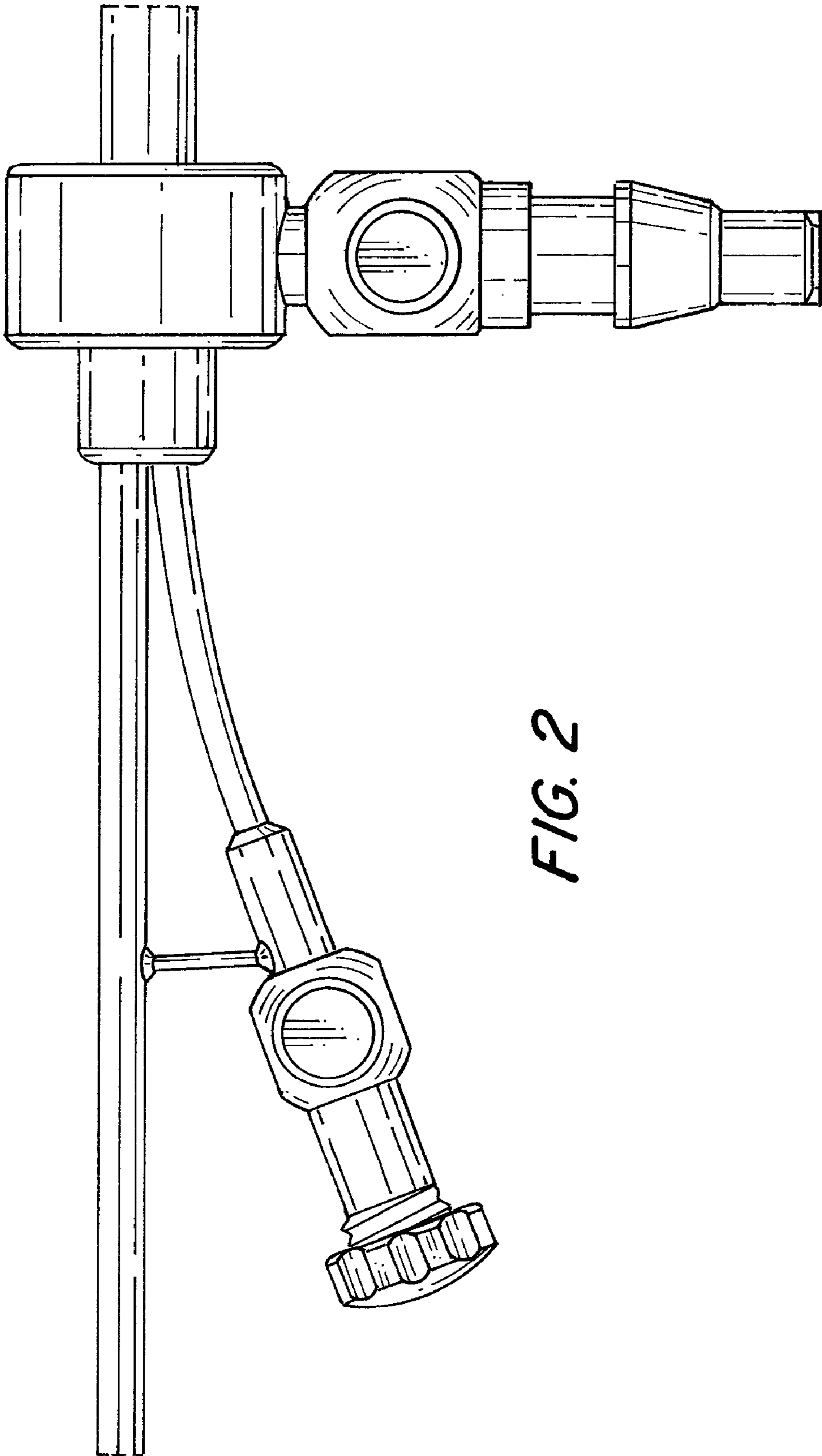


FIG. 2

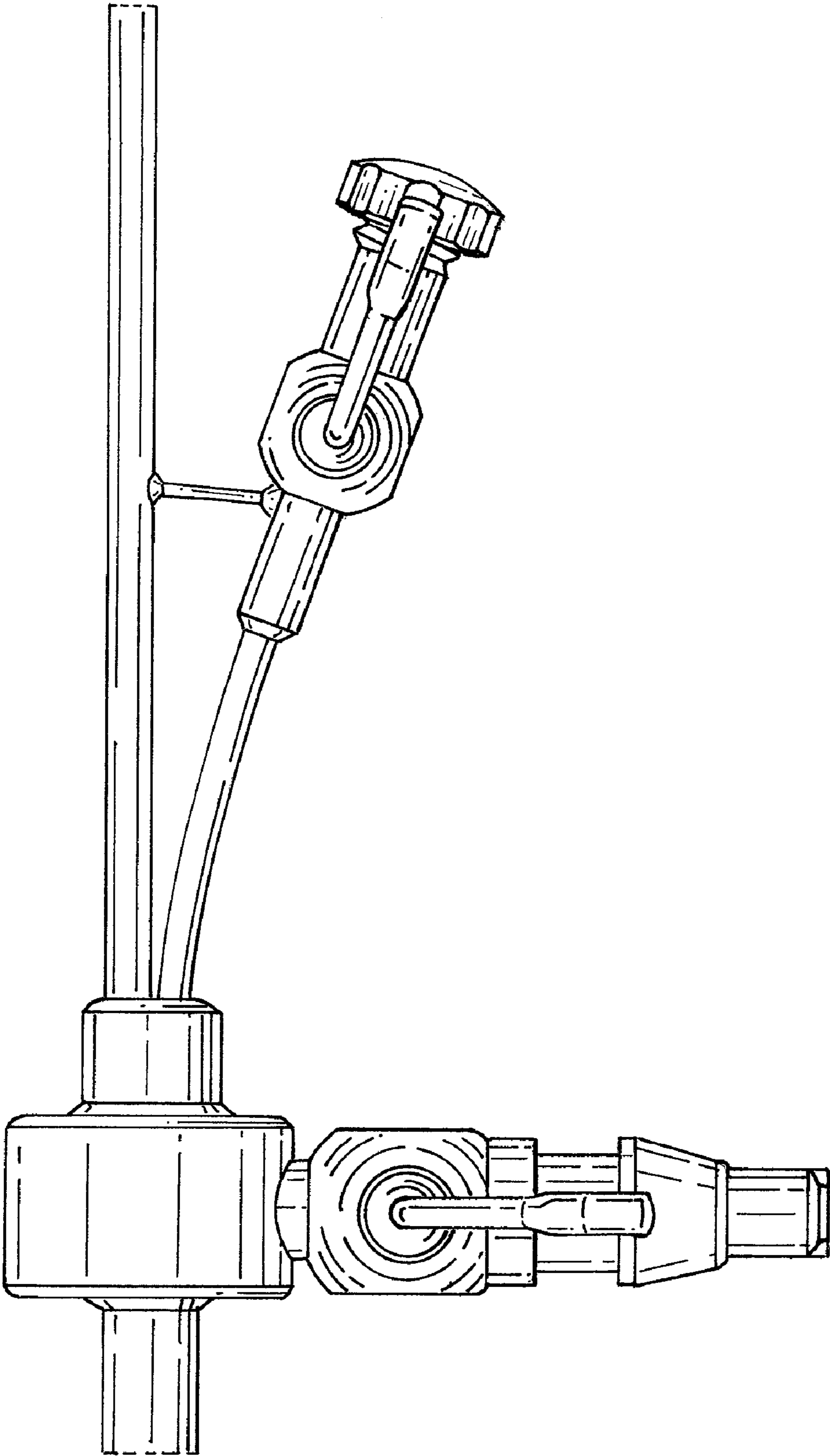


FIG. 3

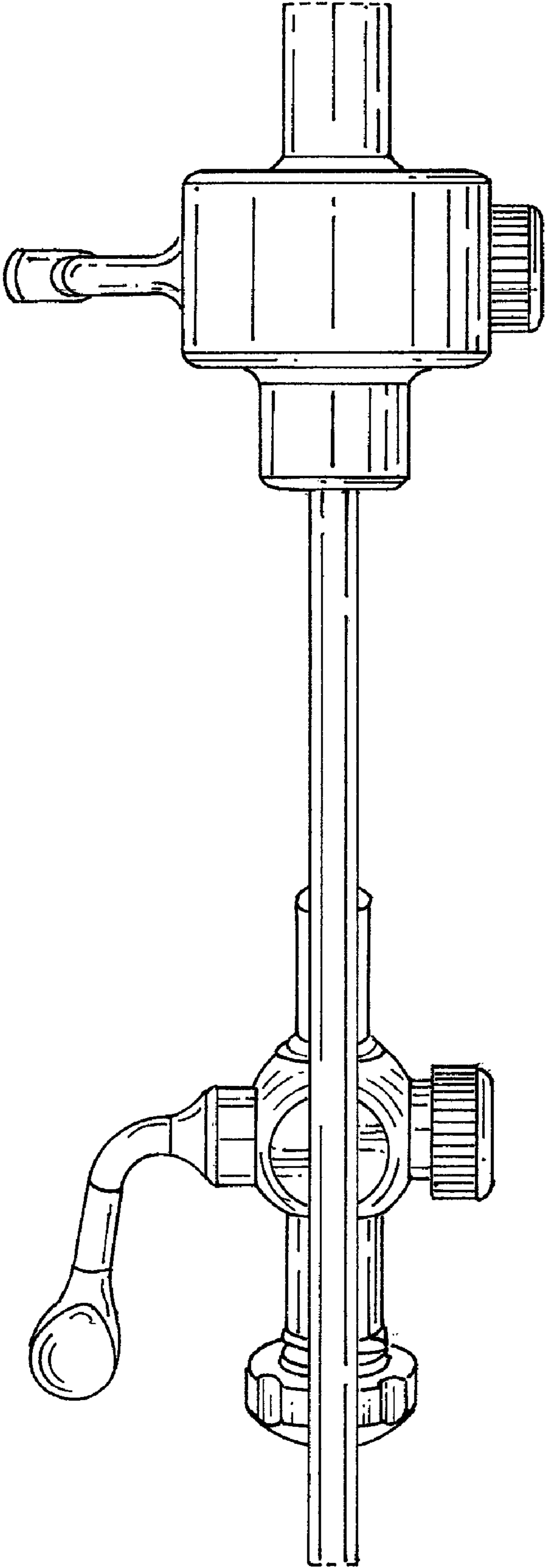


FIG. 4

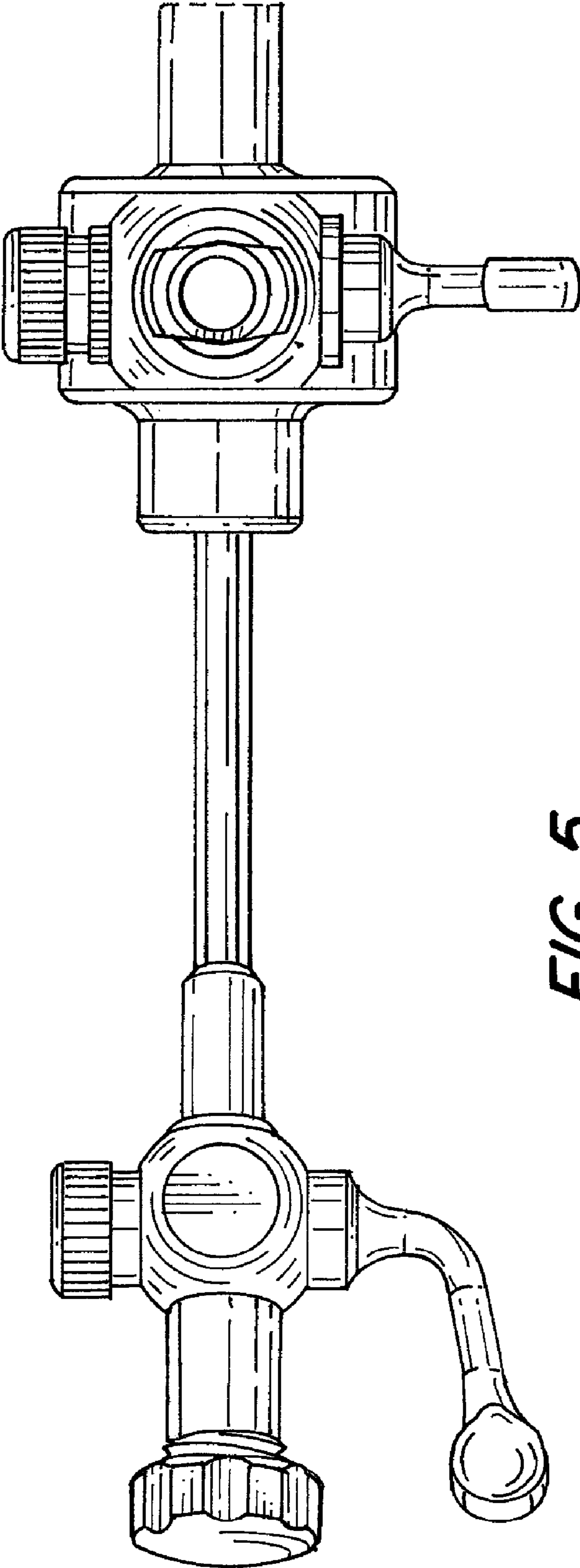


FIG. 5

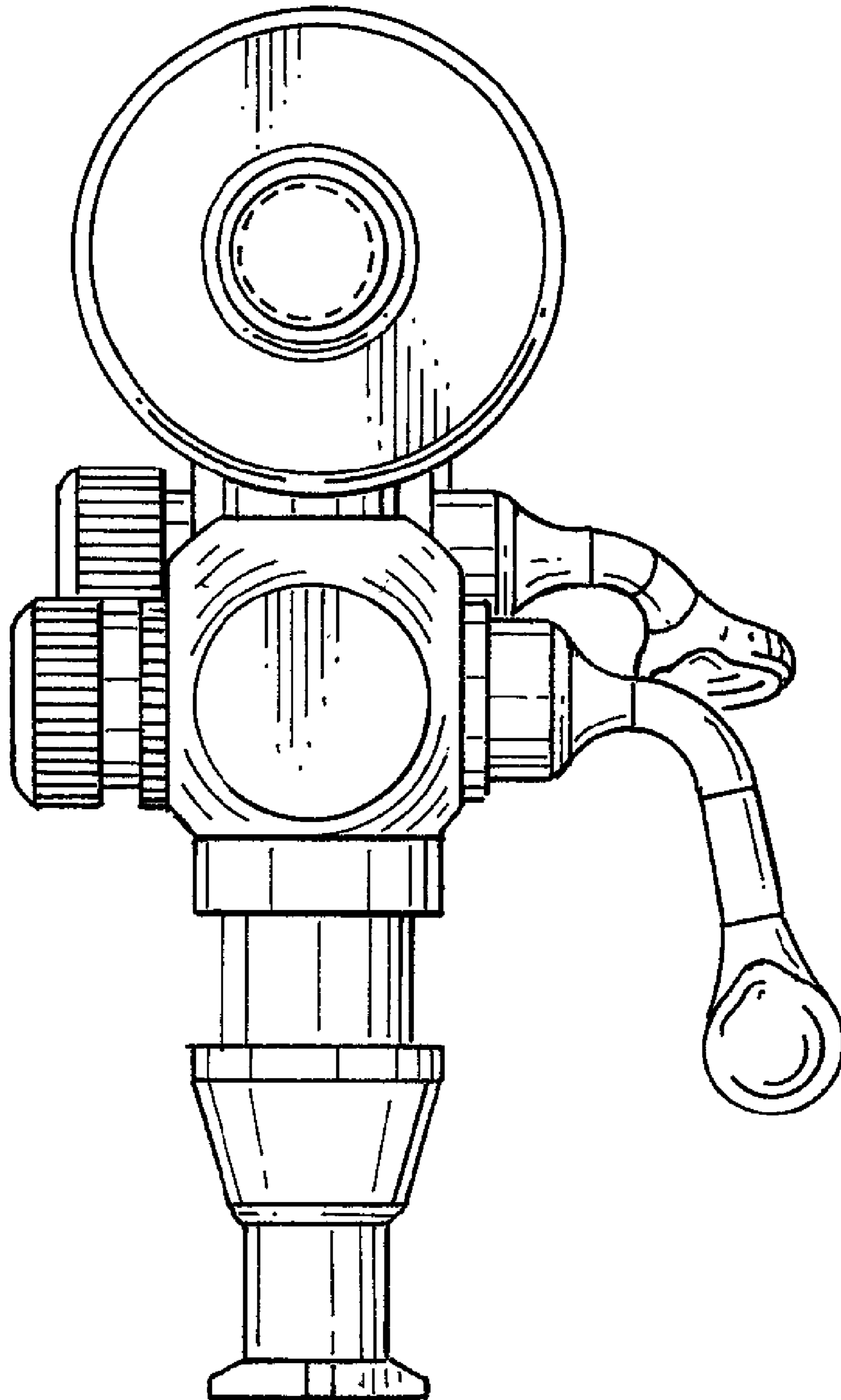


FIG. 6

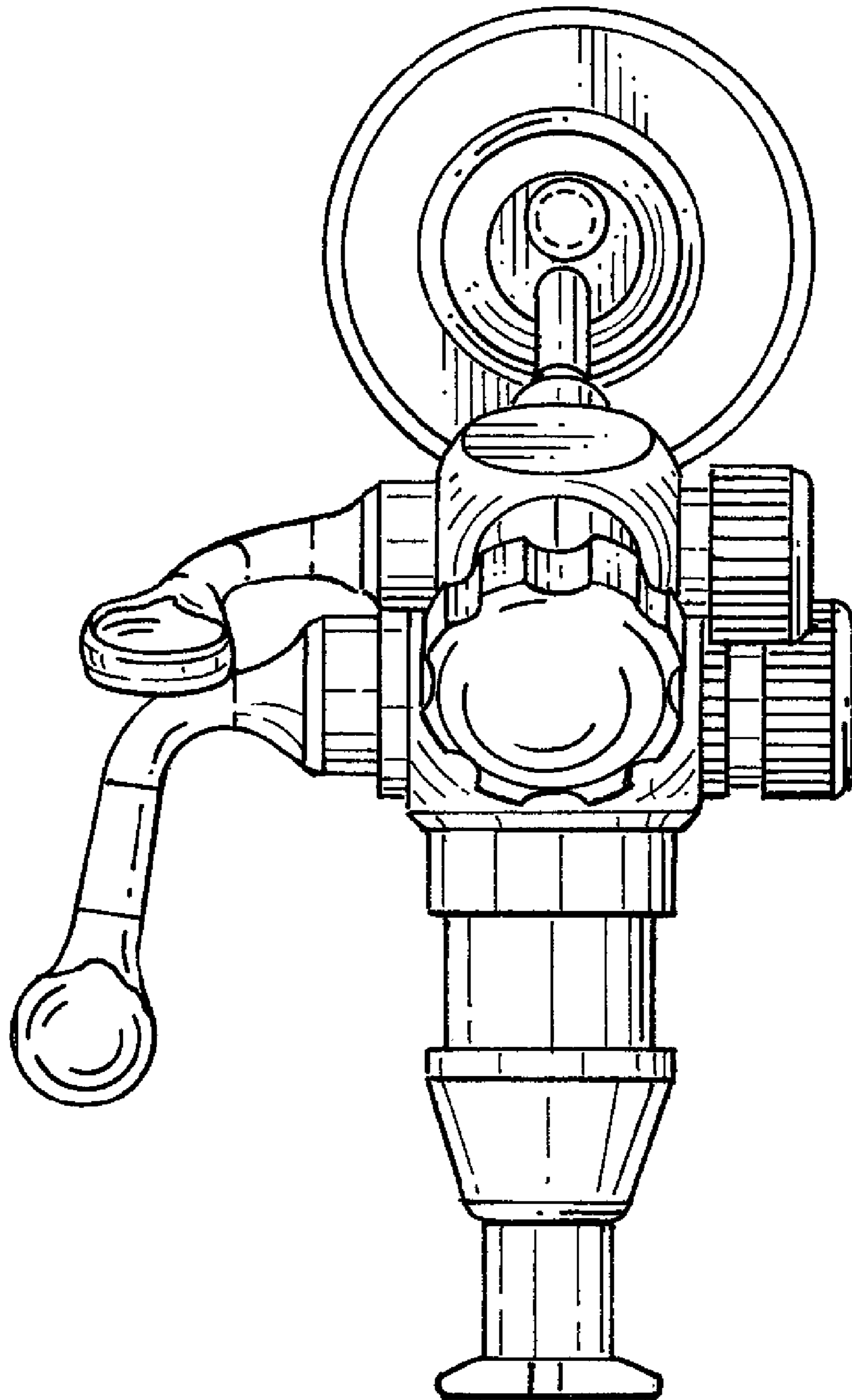


FIG. 7