



US00D629098S

(12) **United States Design Patent**  
**Sonleiter et al.**

(10) **Patent No.:** **US D629,098 S**  
(45) **Date of Patent:** **\*\* \*Dec. 14, 2010**

(54) **VIDEOLAPAROSCOPE**

(75) Inventors: **Hubert Sonleiter**, Immenstaad a.B.  
(DE); **Christian Graf**,  
Emmingen-Liptingen (DE)

(73) Assignee: **Karl Storz GmbH & Co. KG** (DE)

(\*) Notice: This patent is subject to a terminal disclaimer.

(\*\*) Term: **14 Years**

(21) Appl. No.: **29/344,093**

(22) Filed: **Sep. 23, 2009**

(30) **Foreign Application Priority Data**

Mar. 23, 2009 (EM) ..... 001110407

(51) **LOC (9) Cl.** ..... **24-02**

(52) **U.S. Cl.** ..... **D24/133; D24/137**

(58) **Field of Classification Search** ..... D24/133,  
D24/134, 135, 136, 137, 138, 139, 140, 141,  
D24/142, 143, 146, 150, 152, 144, 145, 147,  
D24/148, 149, 151, 153, 154, 127, 128, 129,  
D24/130, 107-108, 112, 111, 200; D23/233,  
D23/235; D8/40, 47, 57, 60, 67, 68, 69,  
D8/80, 82, 83, 84, 93, 94, 97, 107, 72, 73,  
D8/74, 52, 56; 600/101, 104, 105, 106, 109,  
600/112, 131, 135, 160, 162, 215, 431, 564,  
600/568, 184, 220-223, 224, 225-227, 201-203,  
600/210-218; 606/129, 186, 4, 5, 6, 7, 102,  
606/86 A, 86 B, 119, 151, 157, 191-200;  
81/9.22; 604/48

See application file for complete search history.

(56) **References Cited**

**U.S. PATENT DOCUMENTS**

4,674,502 A \* 6/1987 Imonti ..... 606/177  
4,696,298 A \* 9/1987 Higgins et al. .... 606/171  
5,269,794 A \* 12/1993 Rexroth ..... 606/180  
D376,204 S \* 12/1996 Huculak et al. .... D24/146  
D389,578 S \* 1/1998 Emerson et al. .... D24/144

5,882,295 A \* 3/1999 Kope ..... 600/122  
D429,526 S \* 8/2000 Sullivan et al. .... D24/133  
D434,149 S \* 11/2000 Mirhashemi et al. .... D24/150  
D474,276 S \* 5/2003 Greise et al. .... D16/219  
D501,864 S \* 2/2005 Greise et al. .... D16/219  
D538,936 S \* 3/2007 Bohmel et al. .... D24/152  
D560,803 S \* 1/2008 Tasse et al. .... D24/133  
D567,859 S \* 4/2008 Cetera ..... D19/55  
D572,995 S \* 7/2008 Lai ..... D8/107  
D583,868 S \* 12/2008 Peterson ..... D19/55  
D585,987 S \* 2/2009 Aparici et al. .... D24/133

(Continued)

**FOREIGN PATENT DOCUMENTS**

EM 001110407-0025 \* 3/2009

(Continued)

*Primary Examiner*—Bridget L Eland

(74) *Attorney, Agent, or Firm*—St. Onge Steward Johnston & Reens LLC

(57) **CLAIM**

The ornamental design for a videolaparoscope, as shown and described.

**DESCRIPTION**

FIG. 1 is a left side perspective view of a videolaparoscope in accordance with the new design;

FIG. 2 is a right side elevation view thereof;

FIG. 3 is a left side elevation view thereof;

FIG. 4 is a top elevation view thereof;

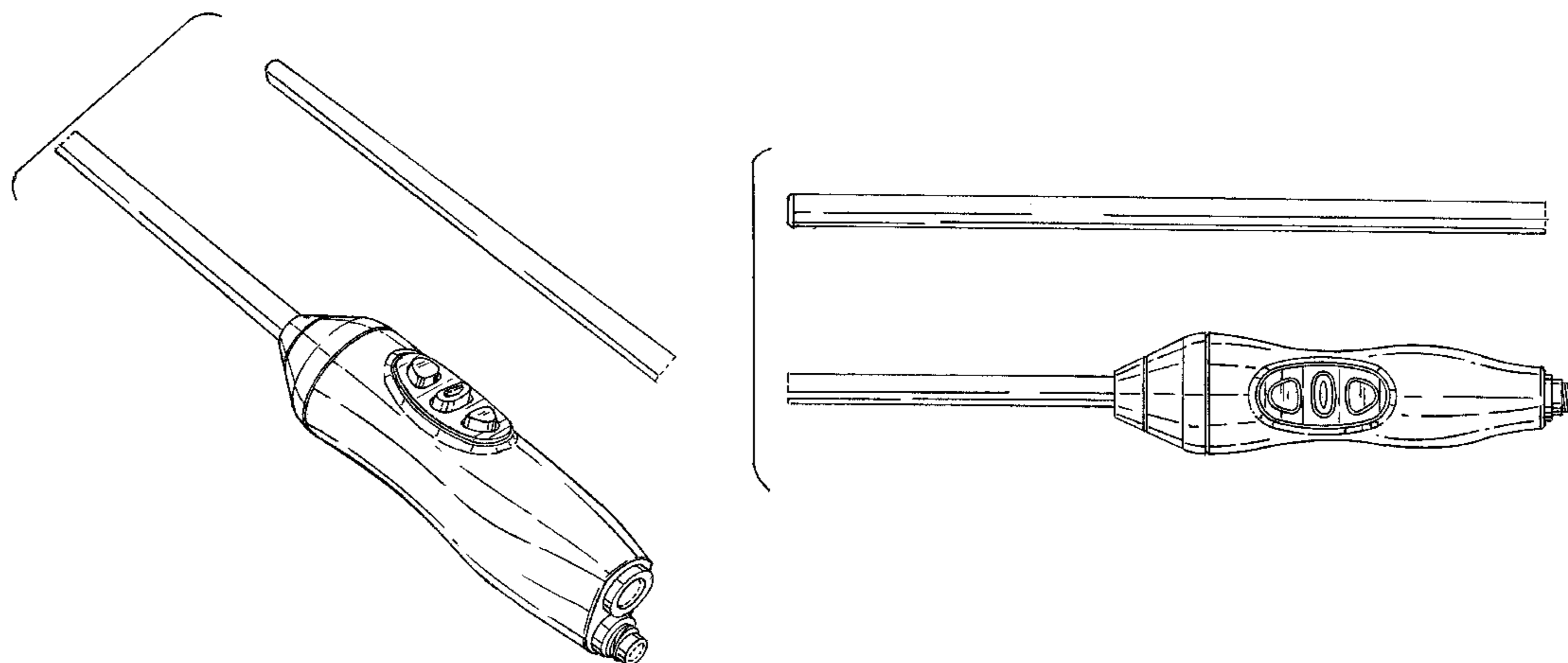
FIG. 5 is a bottom elevation view thereof;

FIG. 6 is a front elevation view thereof; and,

FIG. 7 is a rear elevation view thereof.

FIGS. 1-5 show a break indicating no particular length. The broken line showing in FIGS. 1 and 5-7 is included for the purpose of illustrating portions of the videolaparoscope that form no part of the claimed design.

**1 Claim, 6 Drawing Sheets**



# US D629,098 S

Page 2

---

## U.S. PATENT DOCUMENTS

7,503,893 B2 \* 3/2009 Kucklick ..... 600/114  
D590,502 S 4/2009 Geisser et al.  
D594,556 S \* 6/2009 Kagawa ..... D24/152  
D597,668 S \* 8/2009 Woodruff et al. .... D24/133  
D598,543 S \* 8/2009 Vogel et al. .... D24/133  
D612,044 S \* 3/2010 Scheibe ..... D24/130  
2004/0242968 A1 \* 12/2004 Hill et al. .... 600/210

2006/0015075 A1 \* 1/2006 Blanco et al. .... 604/264  
2009/0124859 A1 \* 5/2009 Assell et al. .... 600/184  
2010/0022824 A1 \* 1/2010 Cybulski et al. .... 600/104

## FOREIGN PATENT DOCUMENTS

EM 001110407-0026 \* 3/2009

\* cited by examiner

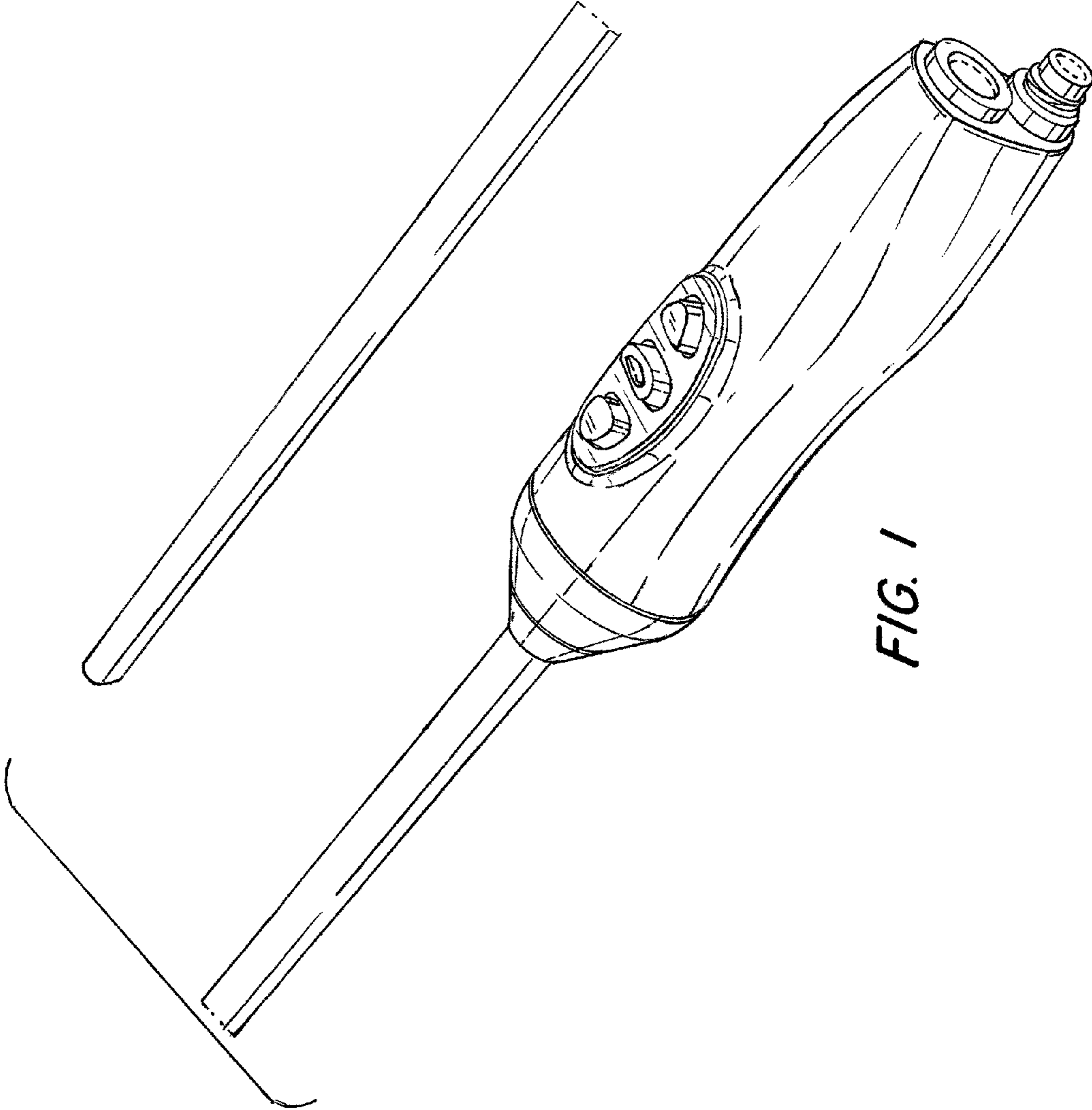


FIG. 1

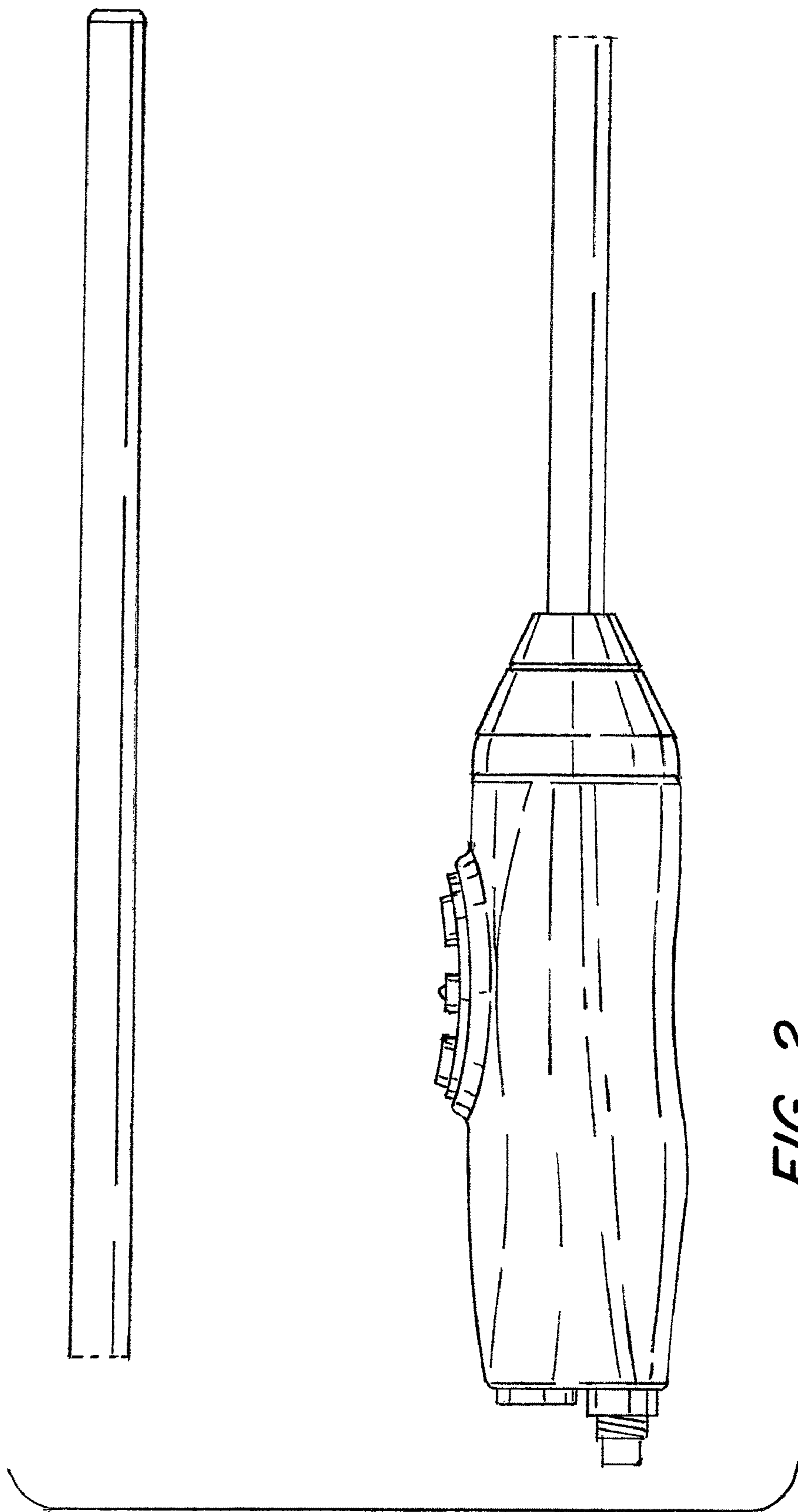
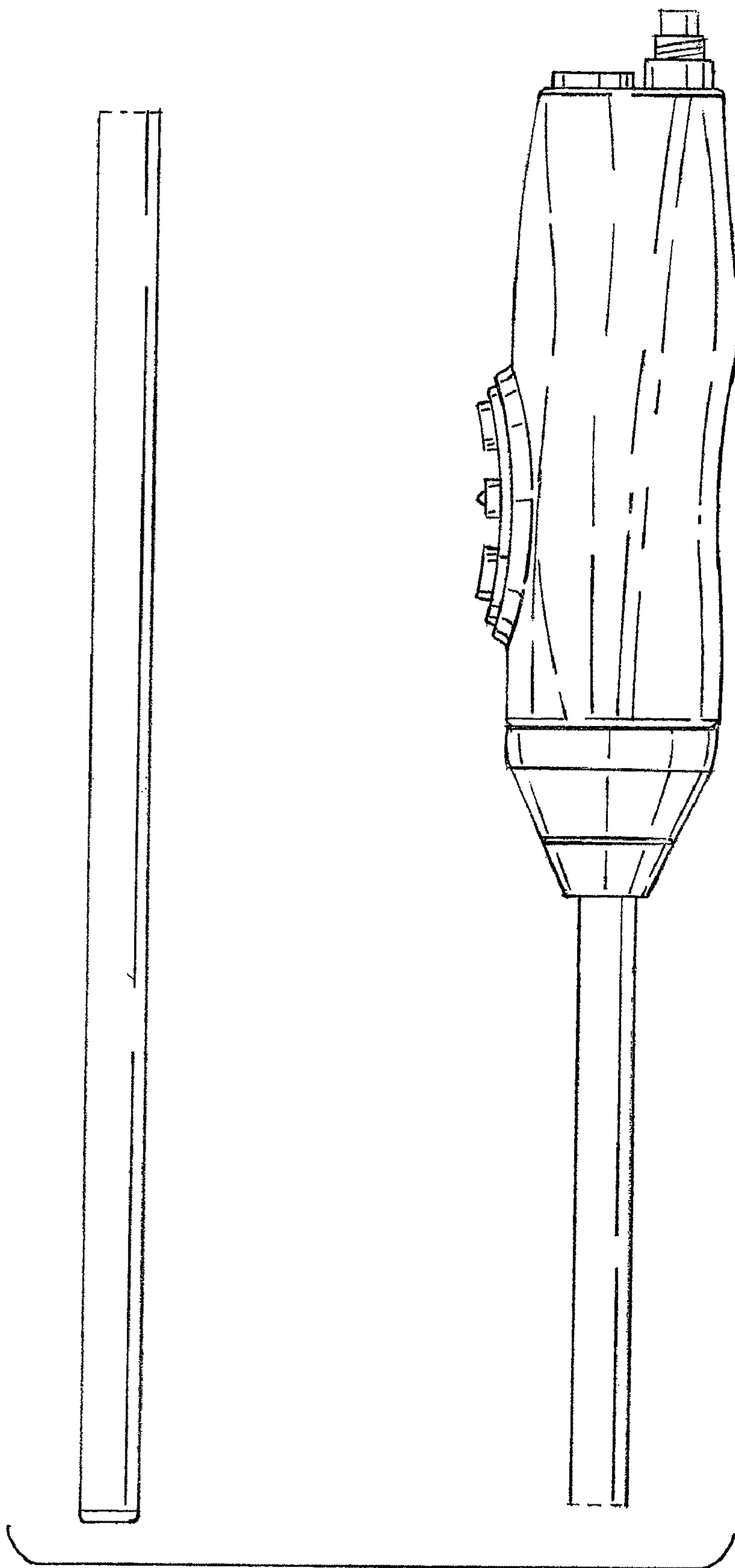
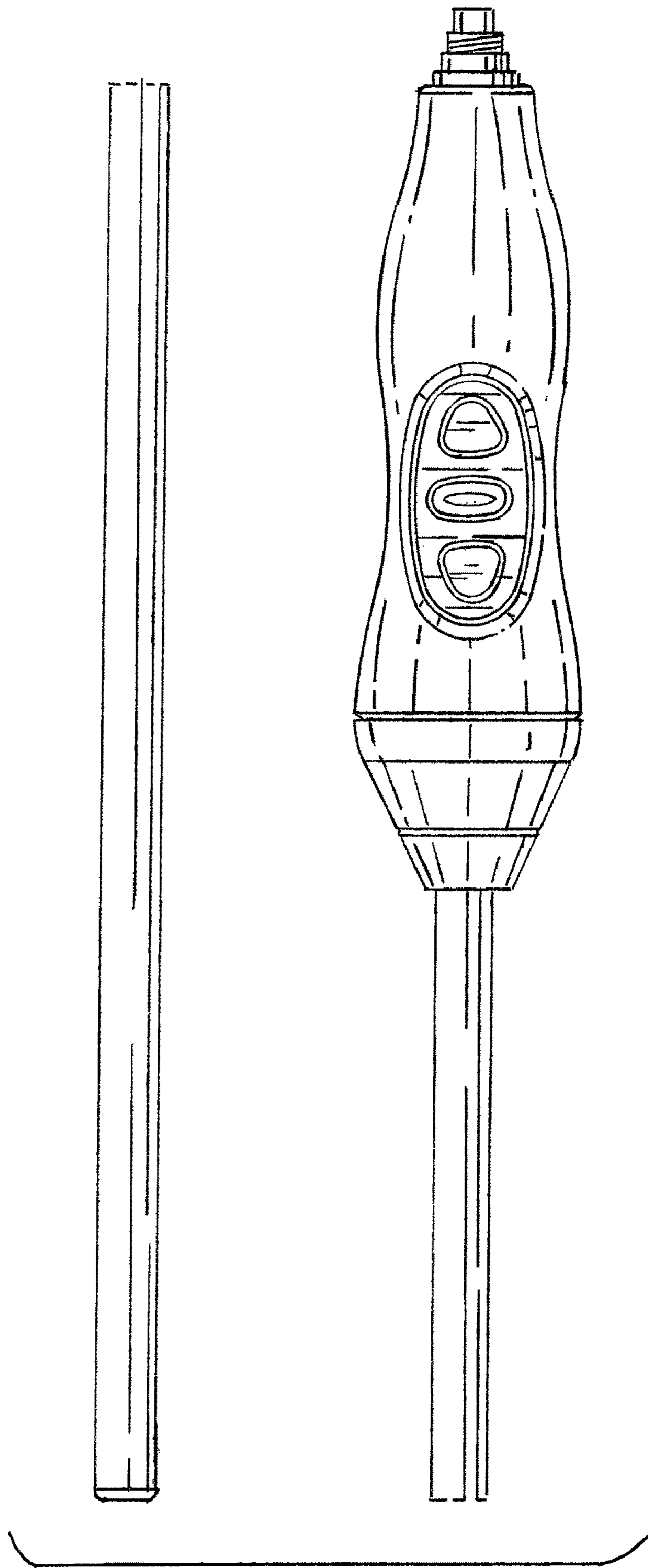


FIG. 2

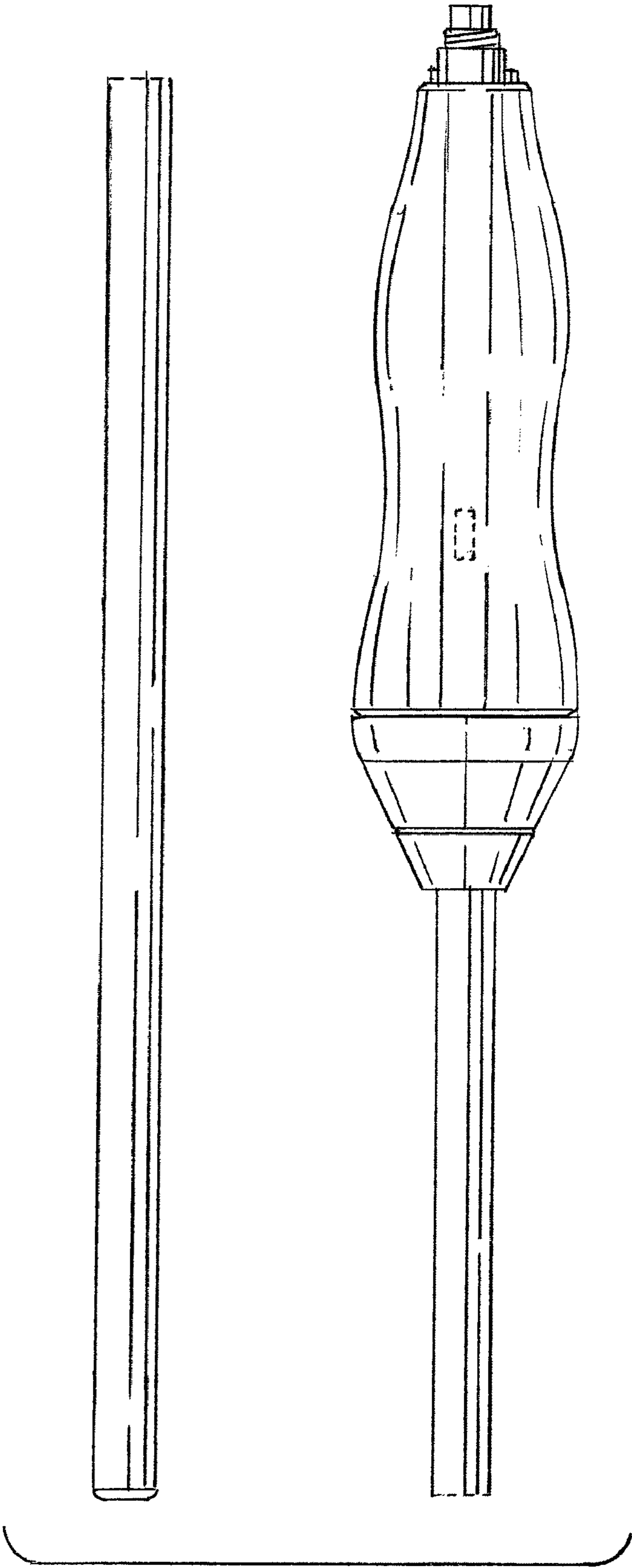


*FIG. 3*

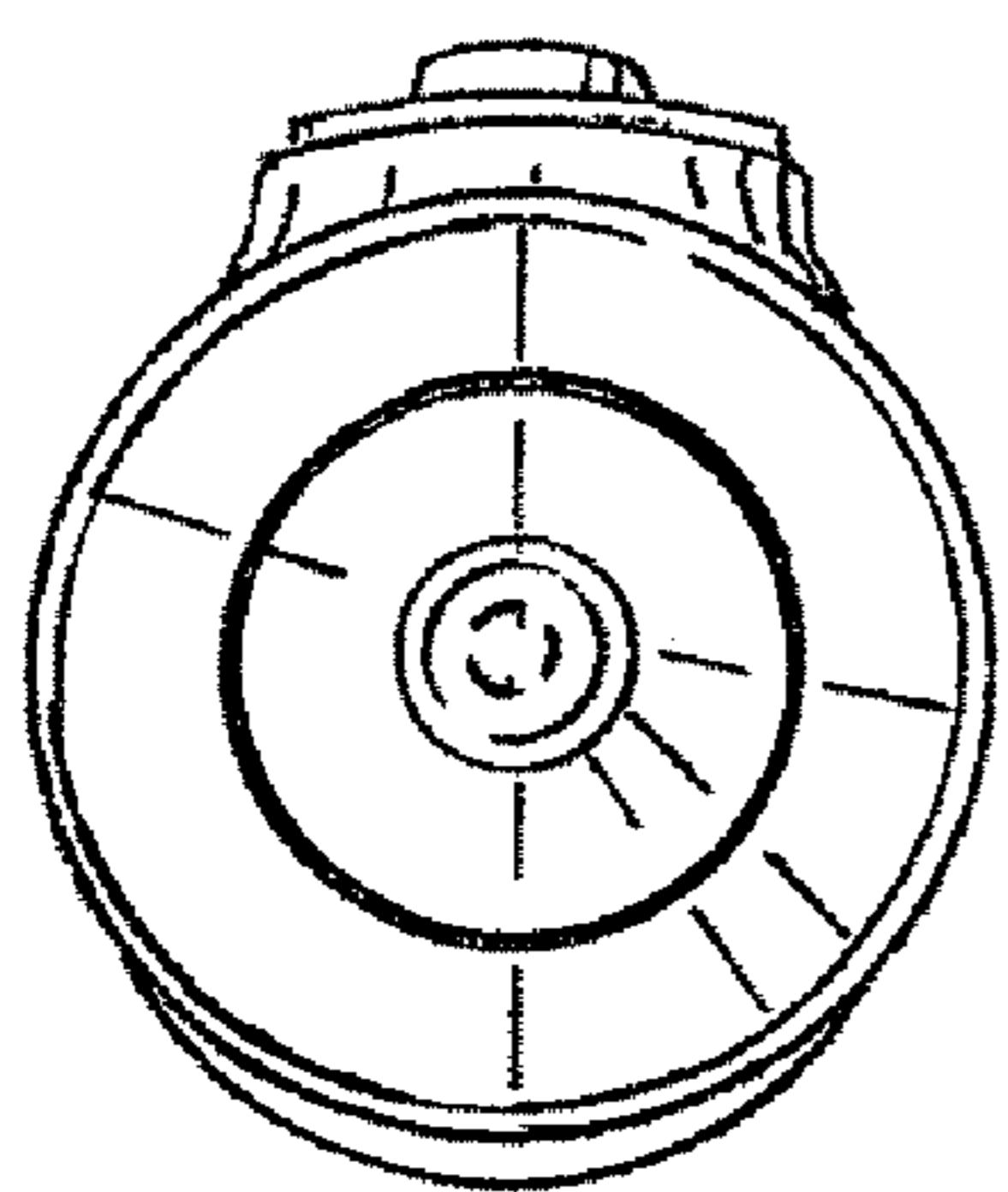




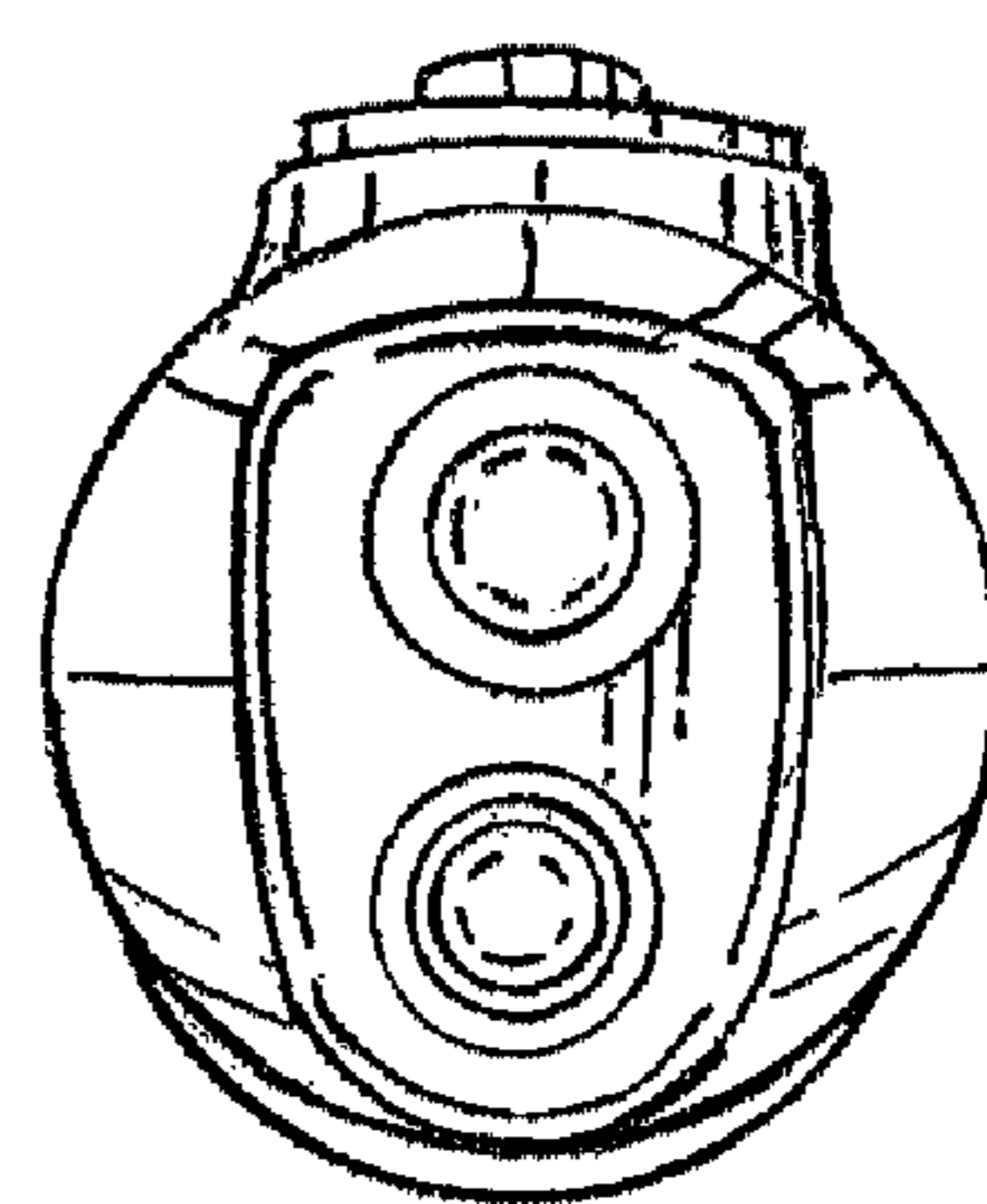
*FIG. 4*



*FIG. 5*



***FIG. 6***



***FIG. 7***