

US00D629096S

(12) **United States Design Patent**
Borovicka et al.

(10) **Patent No.:** **US D629,096 S**
(45) **Date of Patent:** **** Dec. 14, 2010**

(54) **FAN MOTOR HOUSING FOR BARBEQUE
BLOWER ATTACHMENT**

D596,284 S * 7/2009 Ediger et al. D23/411

* cited by examiner

(75) Inventors: **Cory Thomas Borovicka**, San Francisco, CA (US); **Charles Adams**, Berkeley, CA (US)

Primary Examiner—Melody N Brown
(74) *Attorney, Agent, or Firm*—Donald L. Beeson

(73) Assignee: **Charcoal Companion Incorporated**, Emeryville, CA (US)

(57) **CLAIM**

The ornamental design for a fan motor housing for barbeque blower attachment, as shown and described.

(**) Term: **14 Years**

DESCRIPTION

(21) Appl. No.: **29/328,534**

FIG. 1 is a top perspective view of a fan motor housing for barbeque blower attachment showing our new design;

(22) Filed: **Nov. 25, 2008**

FIG. 2 is another top perspective view thereof;

(51) **LOC (9) Cl.** **23-04**

(52) **U.S. Cl.** **D23/411**

FIG. 3 is a rear elevational view thereof;

(58) **Field of Classification Search** D23/411,
D23/370, 381, 380, 332, 413; 416/208.2,
416/203, 244 R, 247 R

FIG. 4 is a right side elevational view thereof, the left side being a mirror image;

See application file for complete search history.

FIG. 5 is a front elevational view thereof;

FIG. 6 is a top plan view thereof; and,

FIG. 7 is a bottom plan view thereof.

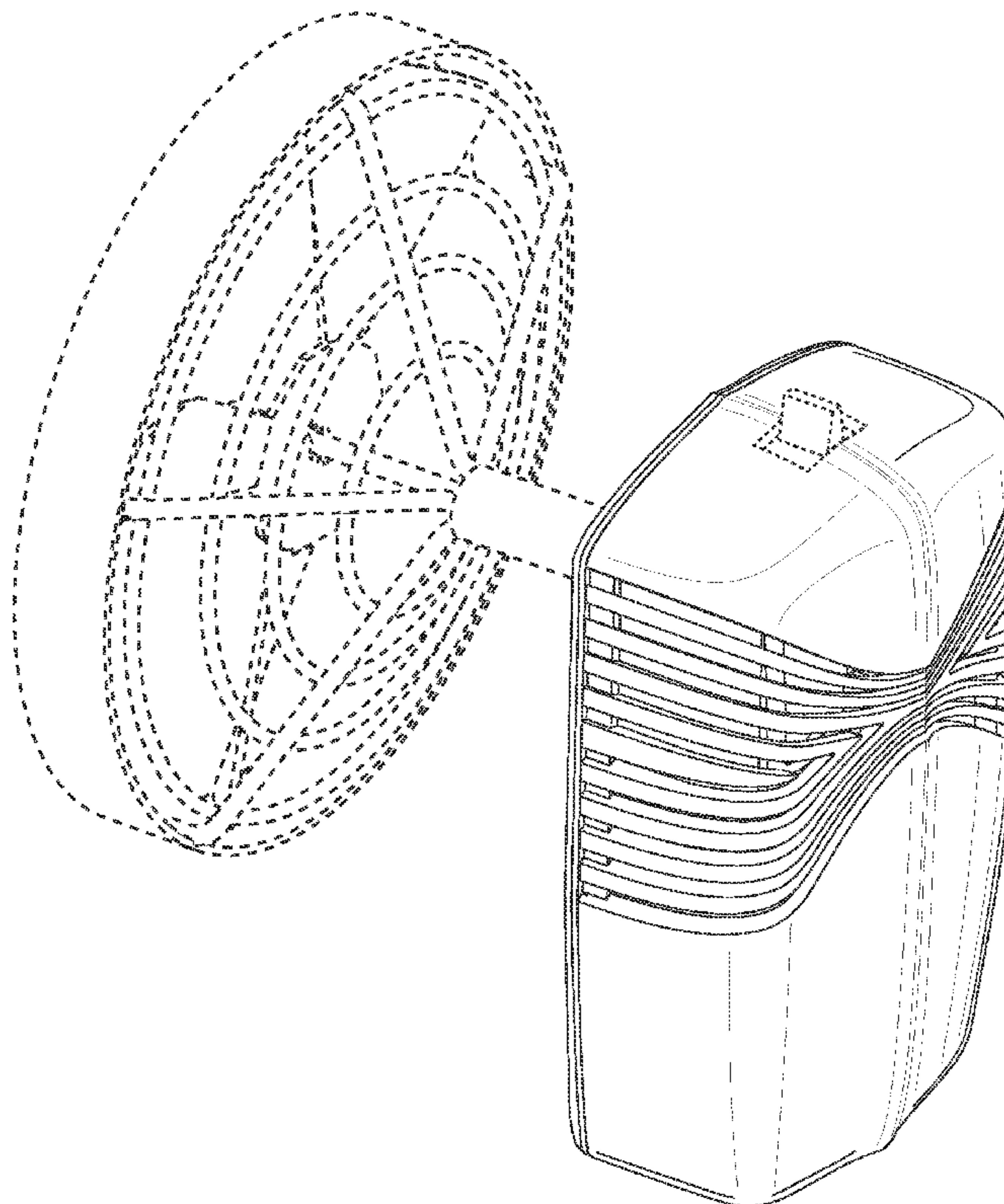
(56) **References Cited**

U.S. PATENT DOCUMENTS

2,017,431 A	10/1935	Anderson et al.	
4,799,858 A	1/1989	Shin-Chin	
D309,944 S	8/1990	Chiu	
D391,357 S	2/1998	Chi	
D569,495 S *	5/2008	Reiser D23/411
D577,115 S *	9/2008	Lui D23/411
D595,836 S *	7/2009	Ediger et al. D23/411

The broken lines showing a fan, fan cage and neck of the blower attachment and a switch on the fan housing are for the purpose of illustrating environmental structure and form no part of the claimed design. The broken lines on the rear of the fan housing as seen in FIGS. 2 and 3 define the boundaries of the claimed design.

1 Claim, 4 Drawing Sheets



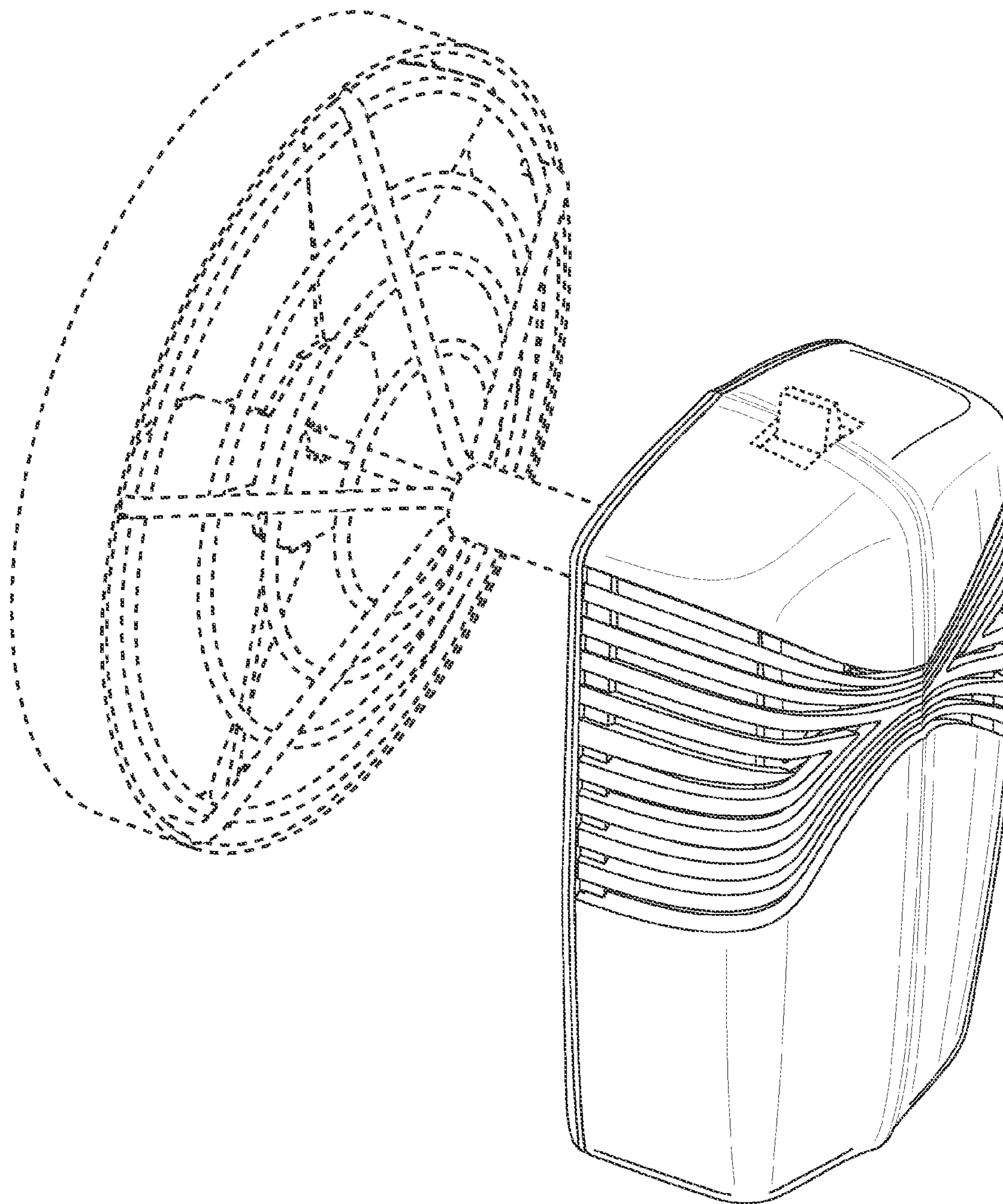


FIG. 1

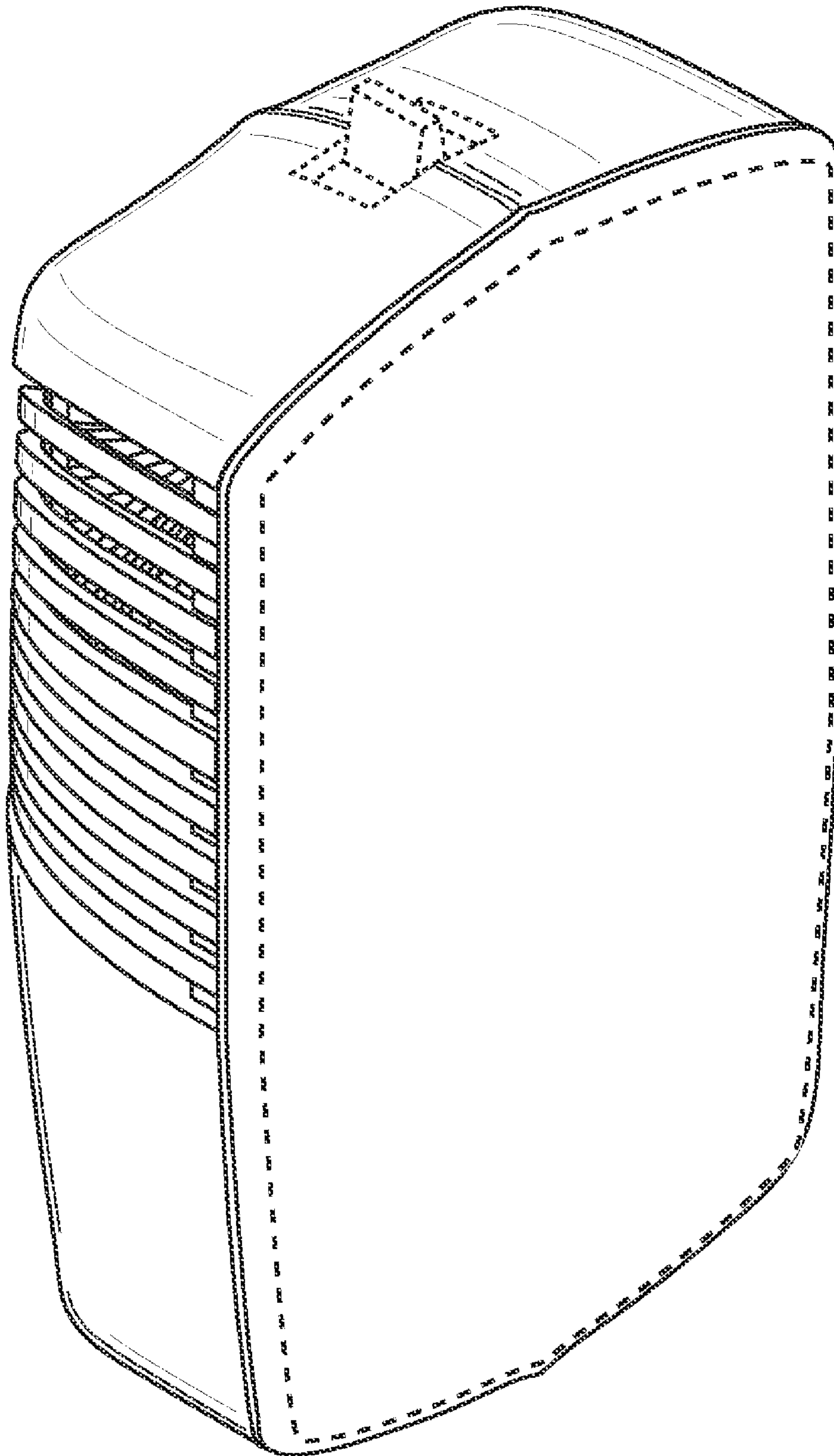


FIG. 2

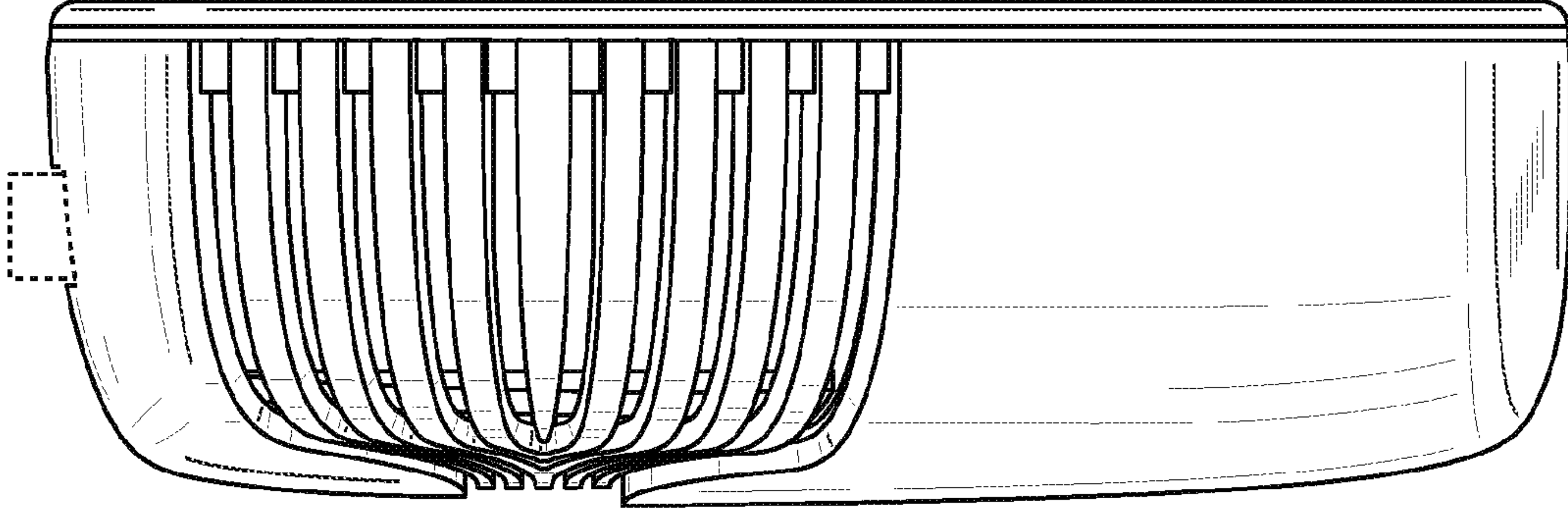


FIG. 4

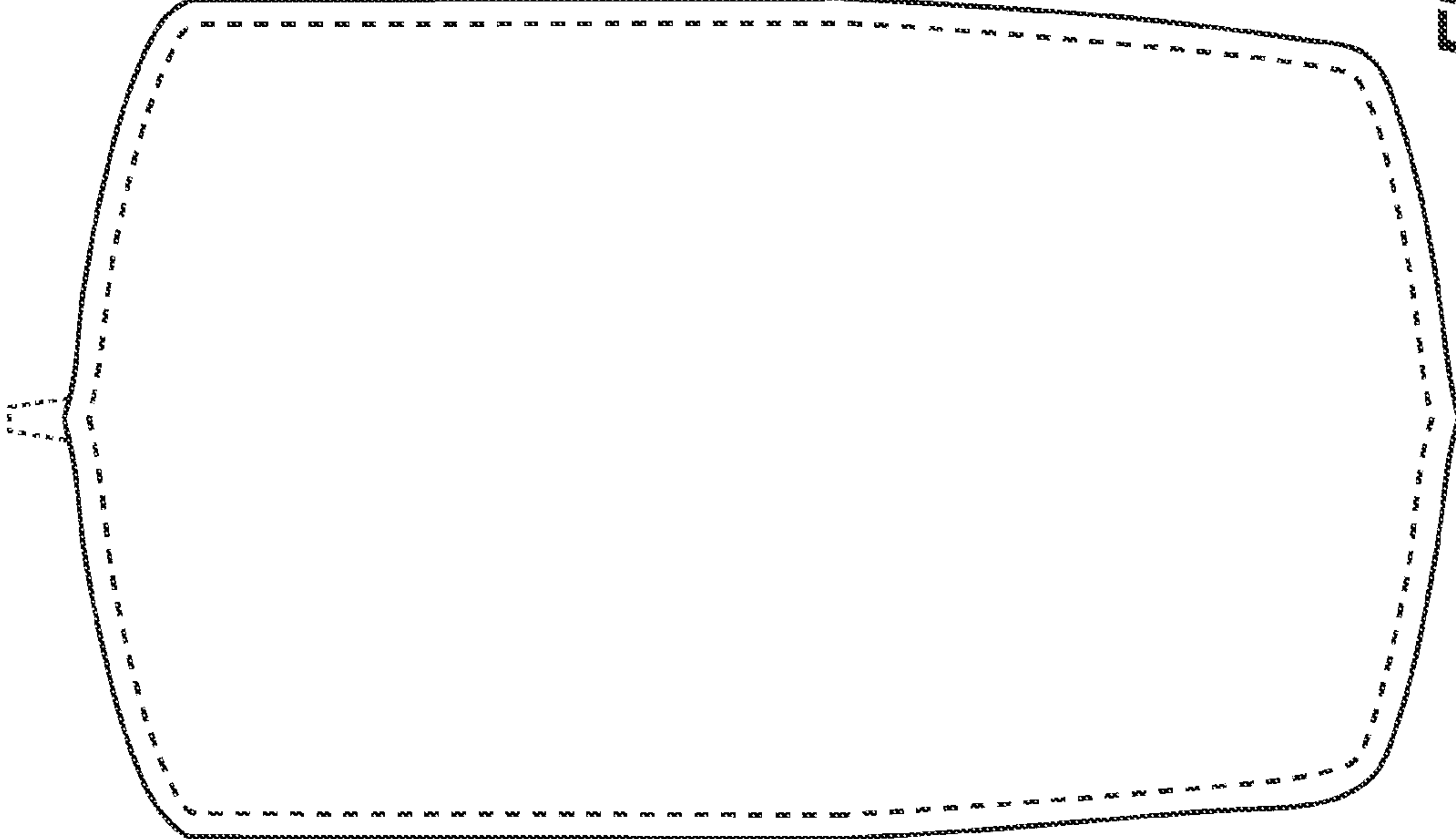


FIG. 3

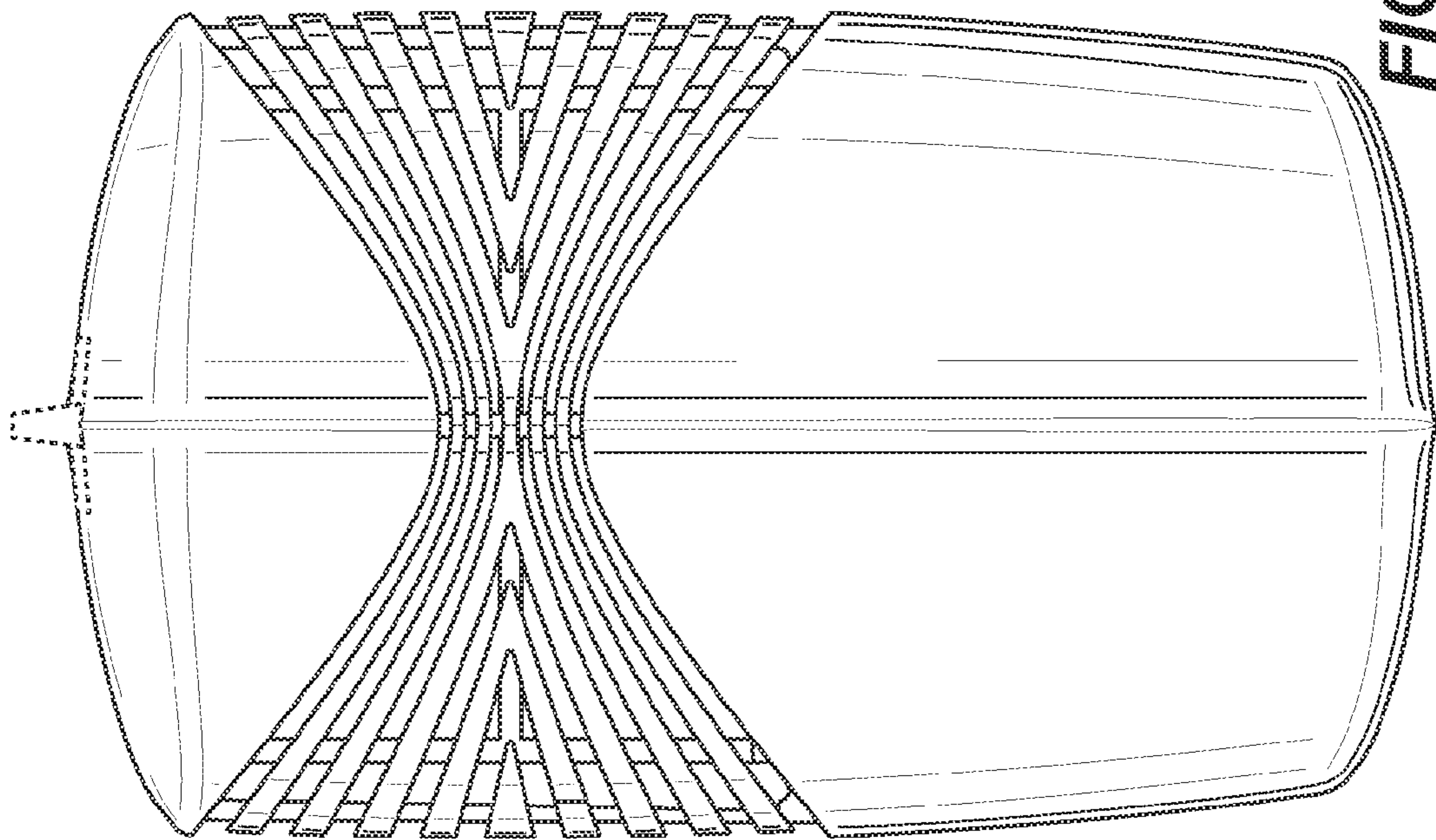


FIG. 5

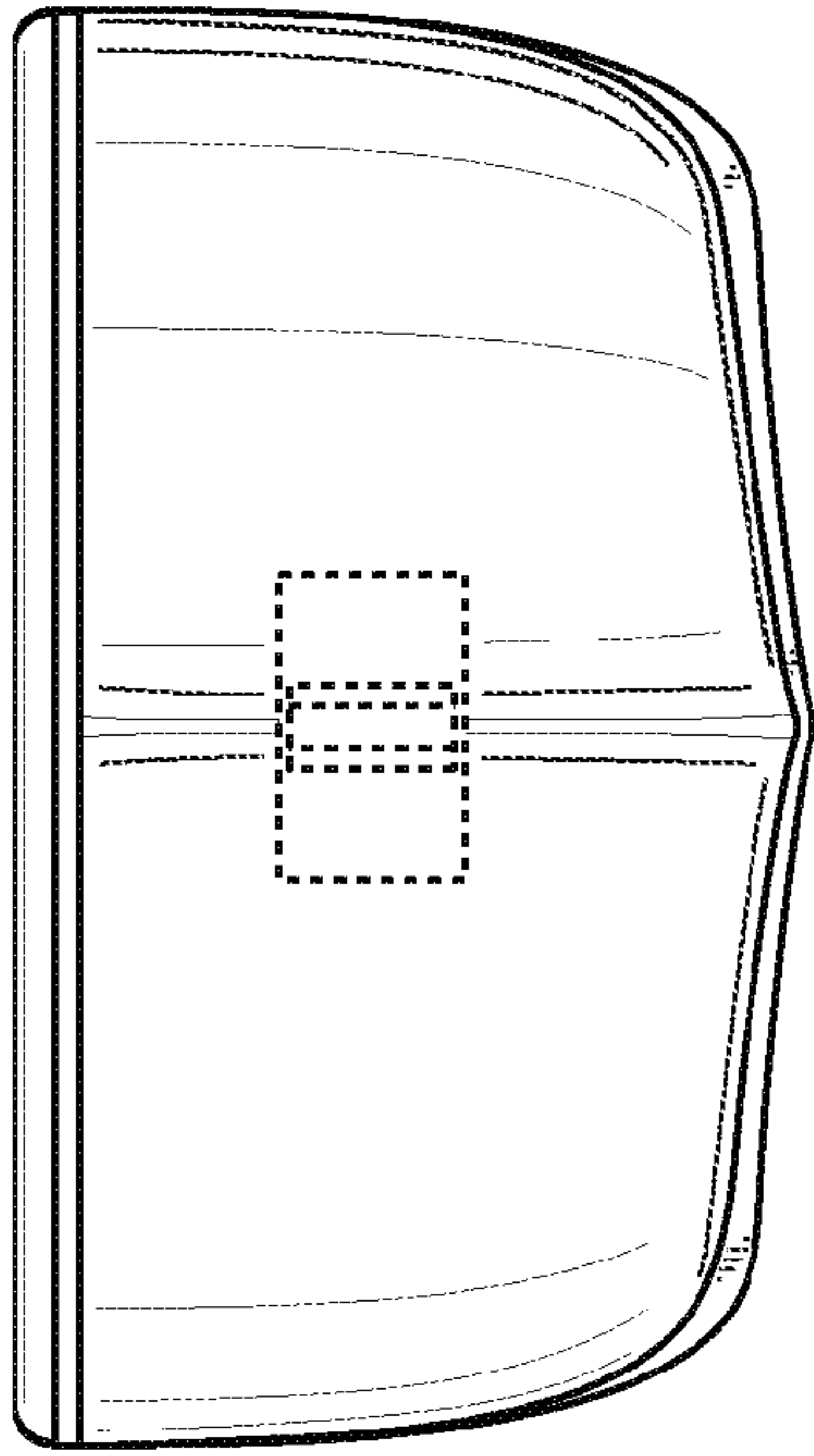


FIG. 6

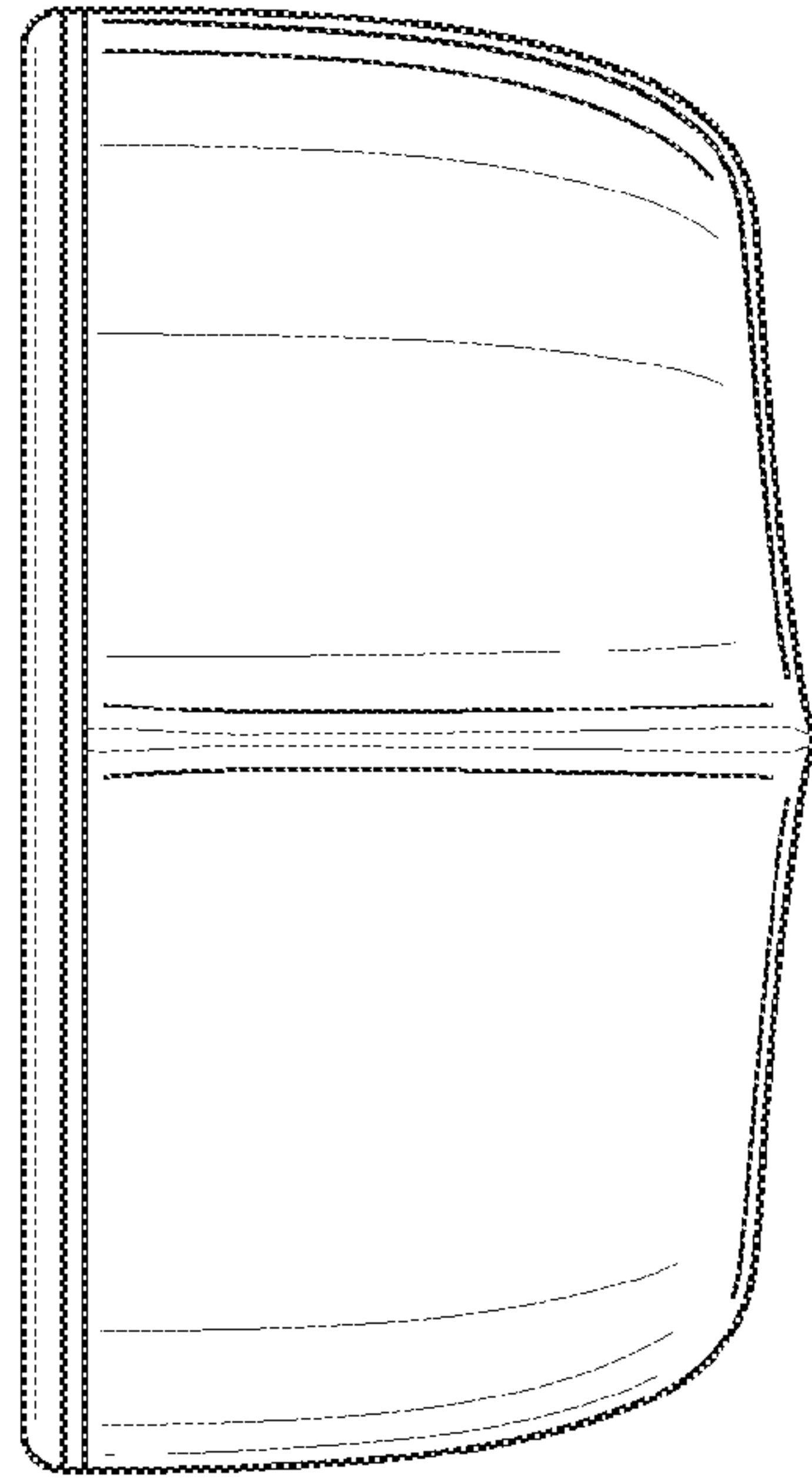


FIG. 7