



US00D629095S

(12) **United States Design Patent**
Liu et al.

(10) **Patent No.:** **US D629,095 S**
(45) **Date of Patent:** **** Dec. 14, 2010**

(54) **IMPELLER**

(75) Inventors: **Wen Jie Liu**, Eastwood (AU); **Garry Bruce Graves**, Marsfield (AU)

(73) Assignee: **Weir Minerals Australia, Ltd.** (AU)

(**) Term: **14 Years**

(21) Appl. No.: **29/313,844**

(22) Filed: **Feb. 13, 2009**

(30) **Foreign Application Priority Data**

Aug. 14, 2008 (AU) 13910/2008

(51) **LOC (9) Cl.** **23-04**

(52) **U.S. Cl.** **D23/411**

(58) **Field of Classification Search** D23/411,
D23/370, 381, 380, 332, 413, 379; 416/208.2,
416/203, 244 R, 247 R

See application file for complete search history.

(56) **References Cited**

U.S. PATENT DOCUMENTS

D297,761 S * 9/1988 Shiraki D23/379
D565,172 S * 3/2008 Chen D23/413
D567,934 S * 4/2008 Shapiro D23/411
D570,472 S * 6/2008 Otsuki et al. D23/413
D570,996 S * 6/2008 Harman et al. D23/413

D570,999 S * 6/2008 Harman et al. D23/413
D571,000 S * 6/2008 Bei et al. D23/413
D619,697 S * 7/2010 Uchikawa D23/370
D621,027 S * 8/2010 Peia D23/411

FOREIGN PATENT DOCUMENTS

AU 102206 S 12/1988
AU 319039 S 4/2008
AU 100298 S 5/2008

* cited by examiner

Primary Examiner—Melody N Brown

(74) *Attorney, Agent, or Firm*—Morris O’Bryant Compagni

(57) **CLAIM**

The ornamental design for an impeller, as shown and described.

DESCRIPTION

FIG. 1 is a front and side perspective view of an impeller showing our new design;

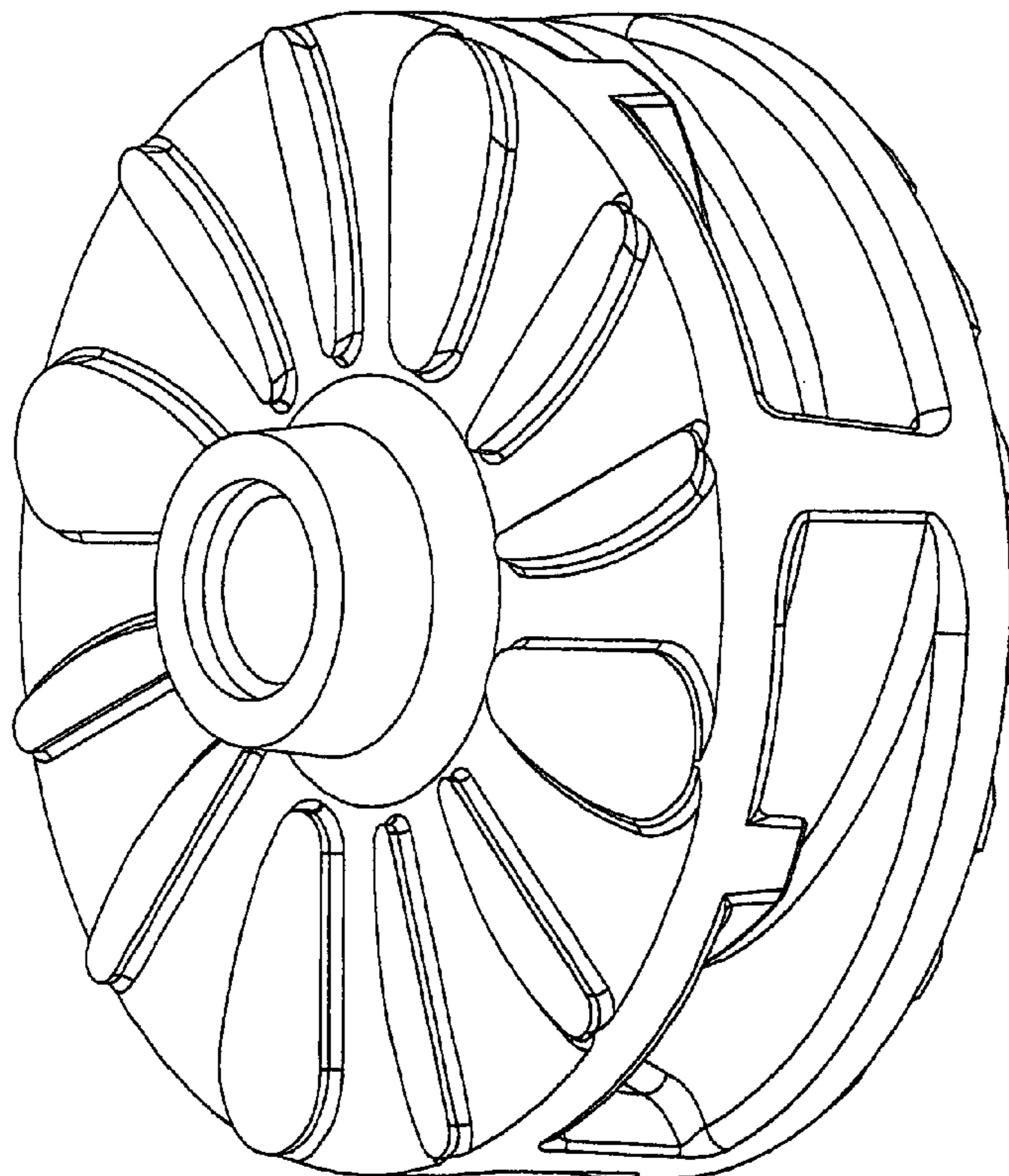
FIG. 2 is a rear and opposite side perspective view thereof;

FIG. 3 is a rear elevation view thereof;

FIG. 4 is a front elevation view thereof; and,

FIG. 5 is a side elevation view thereof, all other sides are substantially mirror images of that side shown.

1 Claim, 5 Drawing Sheets



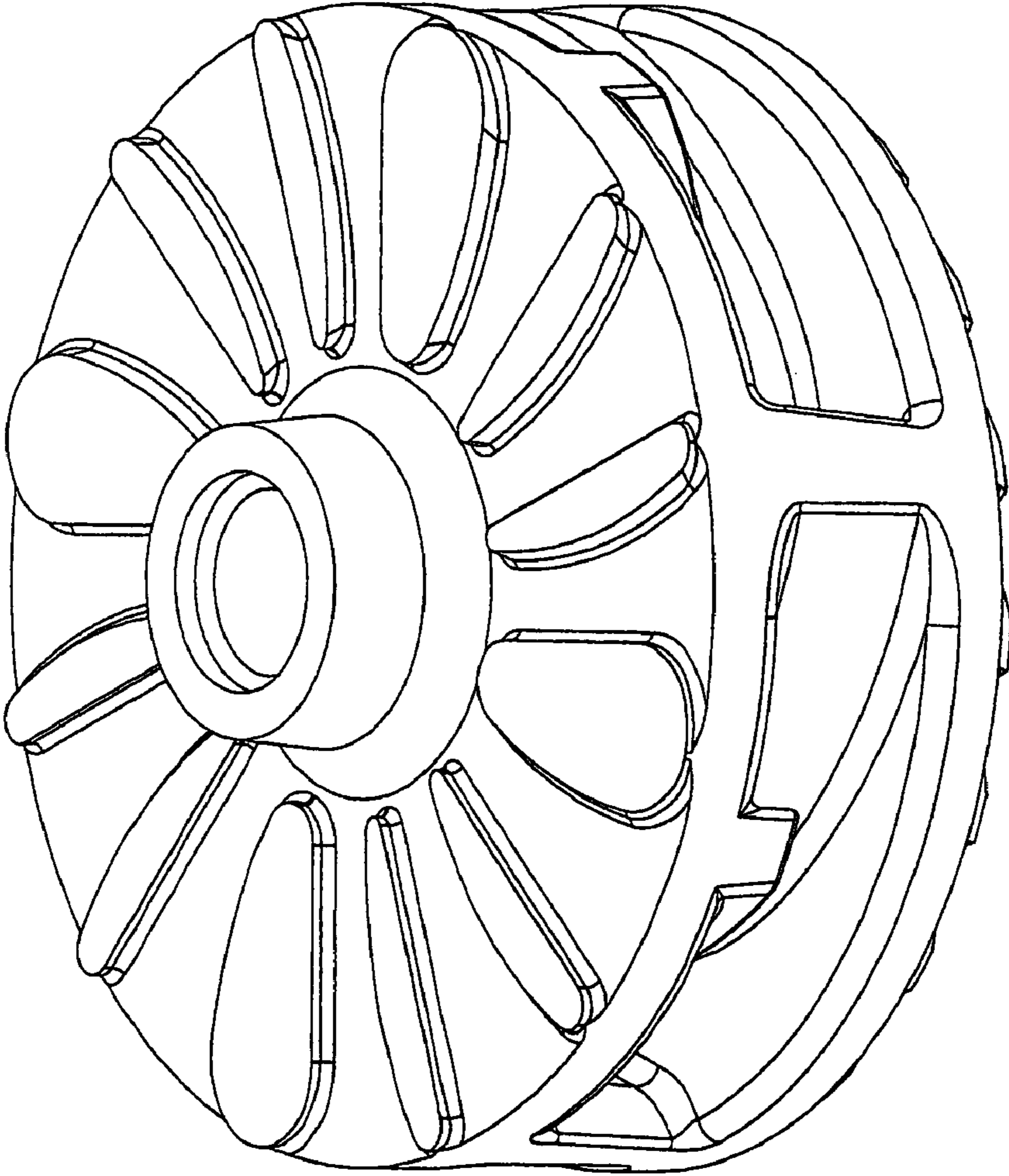


FIG. 1

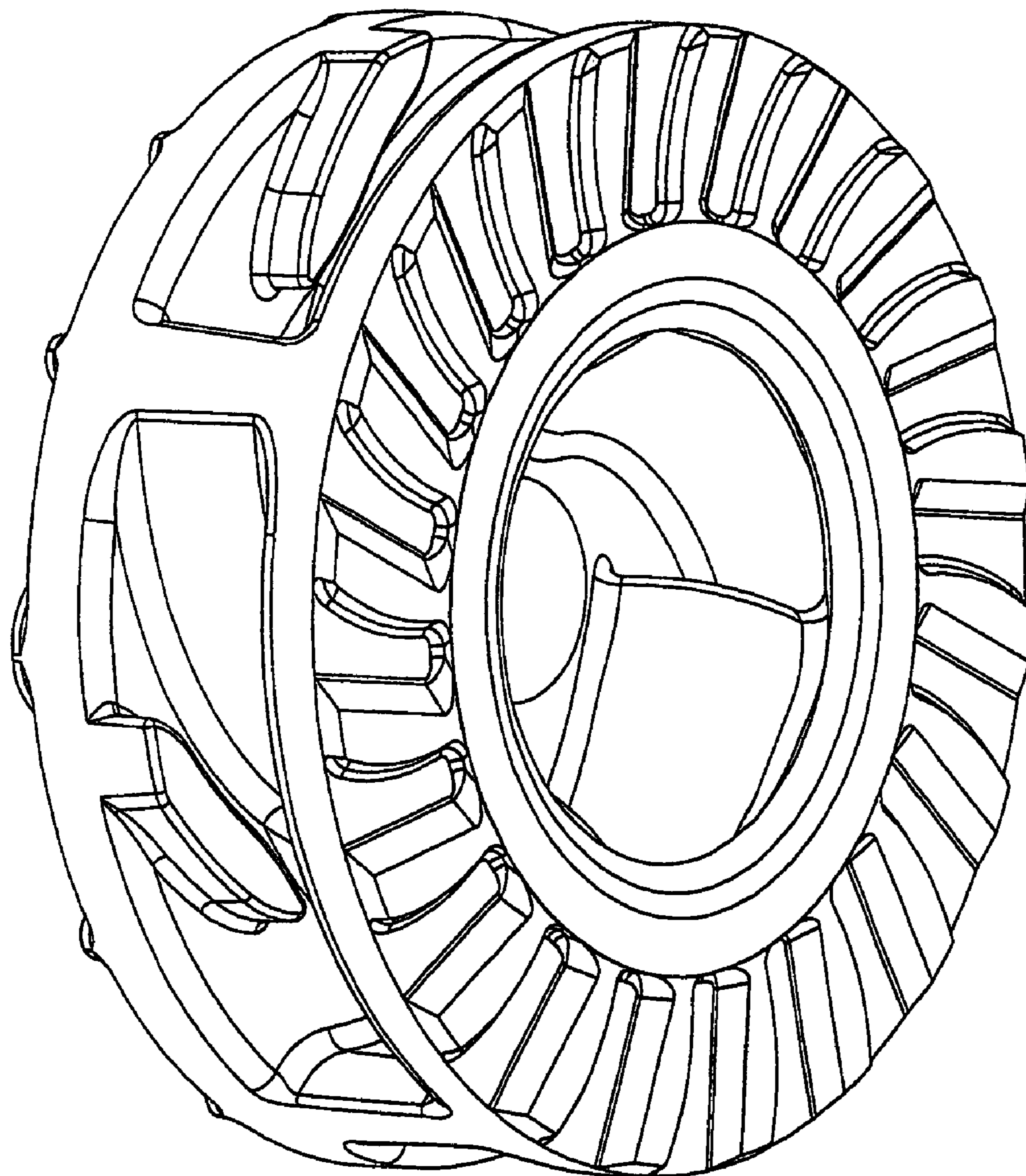


FIG. 2

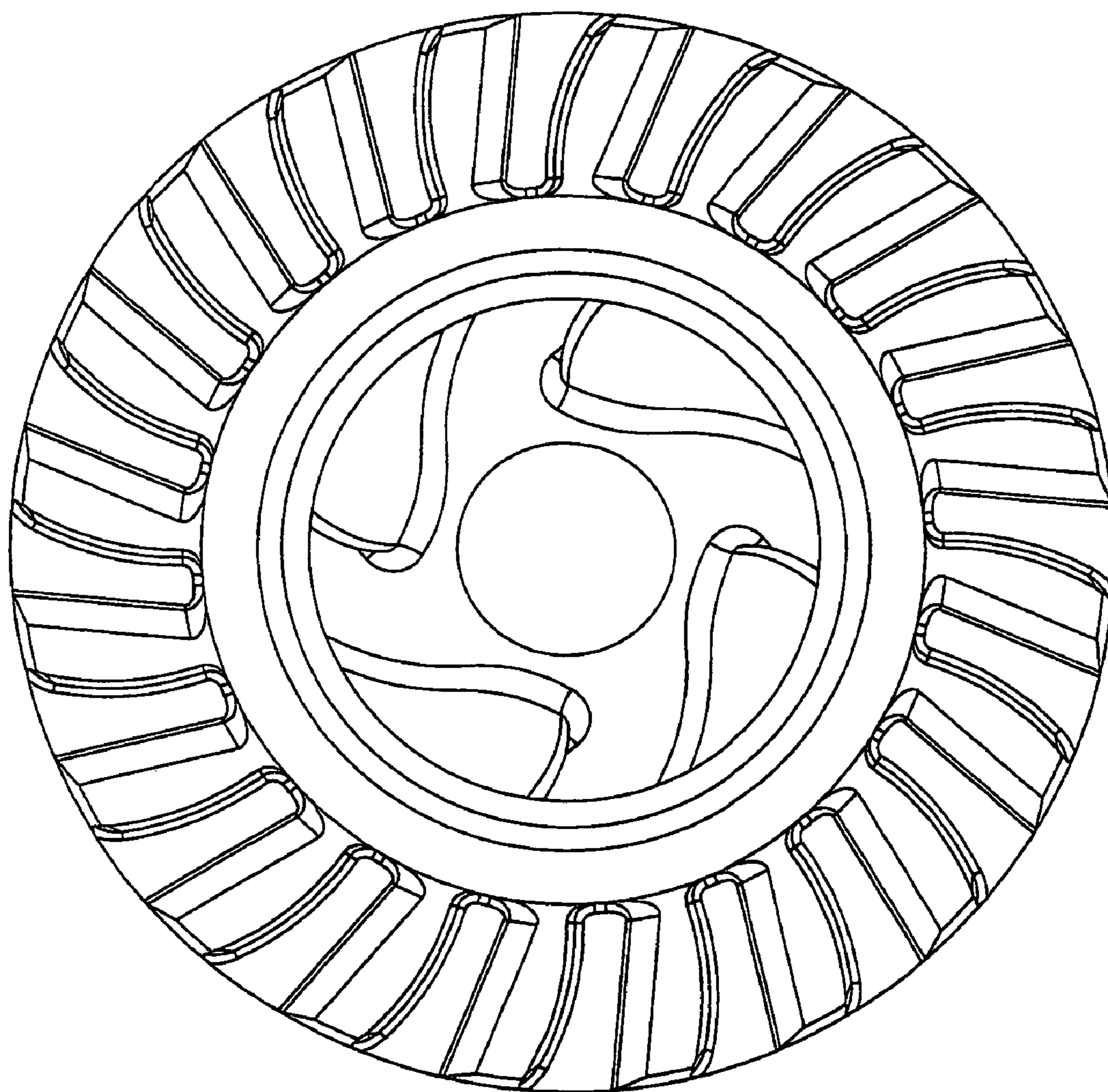


FIG. 3

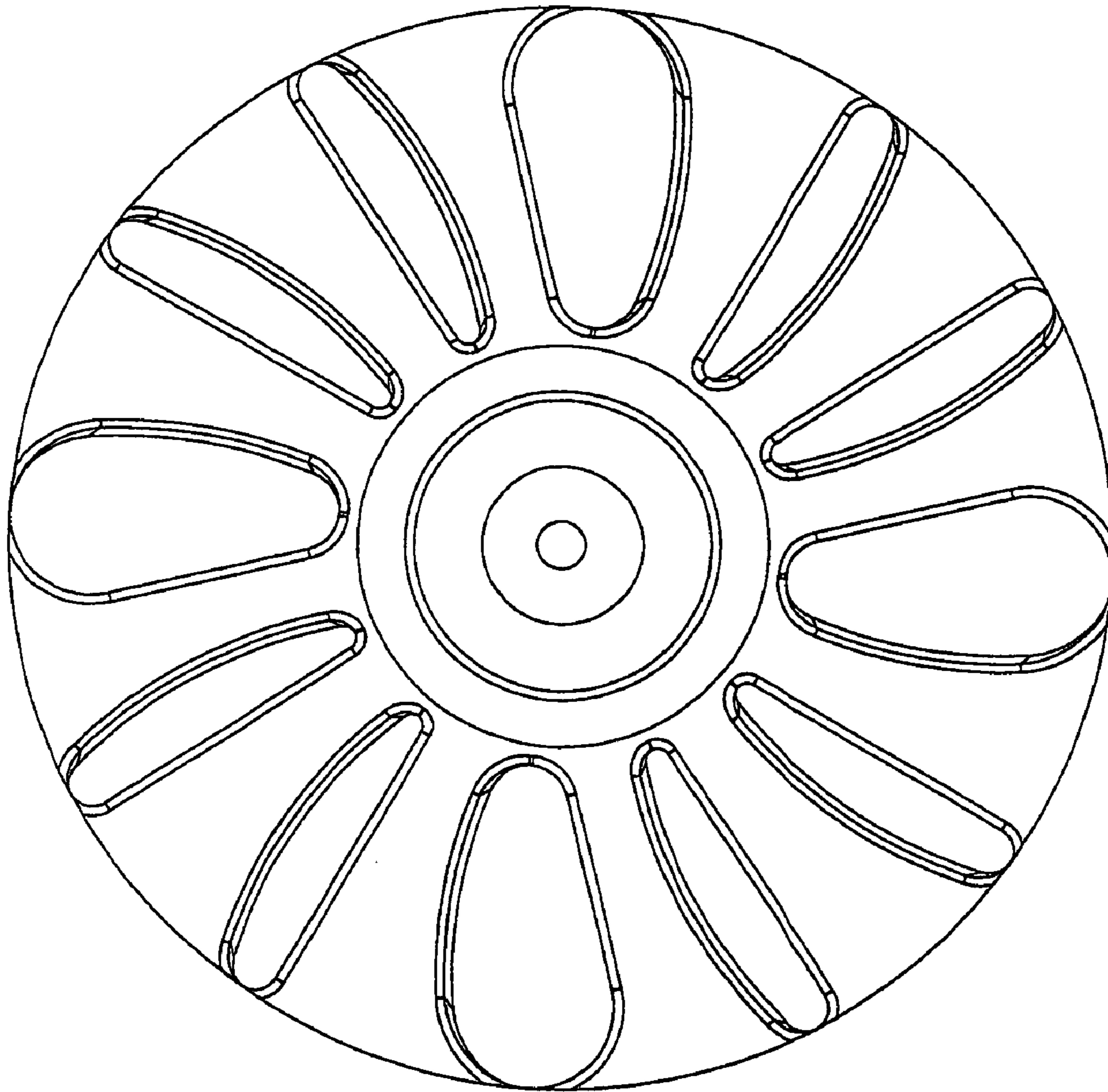


FIG. 4

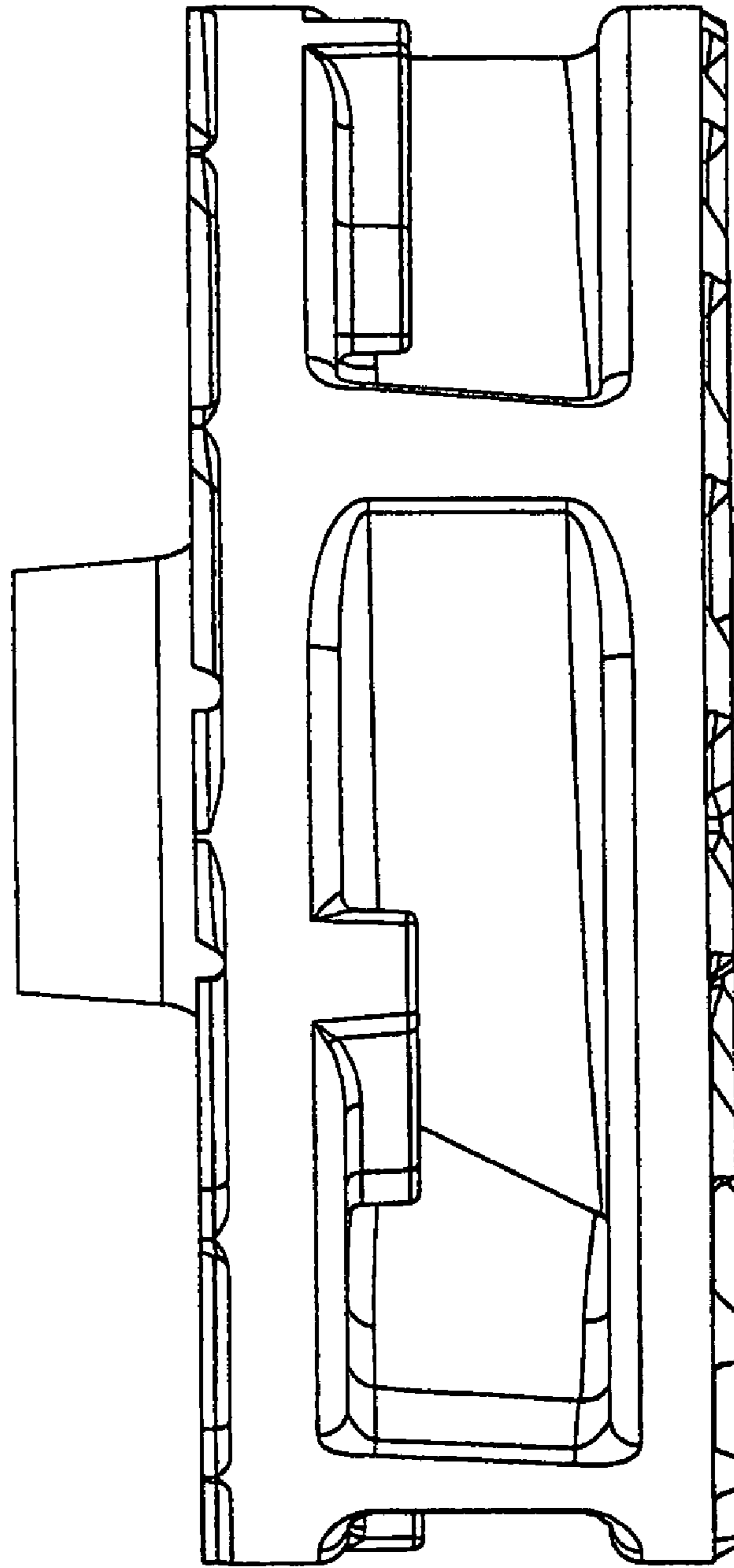


FIG. 5