



US00D629092S

(12) **United States Design Patent**
Tanno et al.

(10) **Patent No.:** **US D629,092 S**

(45) **Date of Patent:** **** Dec. 14, 2010**

(54) **HEAT EXCHANGER FOR AIR
CONDITIONER**

(75) Inventors: **Hideki Tanno**, Kikugawa (JP);
Masahiro Okada, Kikugawa (JP);
Kenjiro Matsumoto, Kikugawa (JP);
Takamitsu Ishiguro, Kikugawa (JP)

(73) Assignee: **Toshiba Carrier Corporation**, Tokyo
(JP)

(**) Term: **14 Years**

(21) Appl. No.: **29/354,601**

(22) Filed: **Jan. 26, 2010**

(30) **Foreign Application Priority Data**

Jul. 27, 2009 (JP) 2009-017006

(51) **LOC (9) Cl.** **23-04**

(52) **U.S. Cl.** **D23/351**

(58) **Field of Classification Search** D6/314,
D6/317, 332-333, 351; 312/236; 62/259.1,
62/259.3, 259.4, 262-263, 304, 401, 515-516;
454/330-331, 349-350, 354

See application file for complete search history.

(56) **References Cited**

U.S. PATENT DOCUMENTS

D283,911 S * 5/1986 Miyamoto et al. D23/351
D283,912 S * 5/1986 Miyamoto et al. D23/351
D562,954 S * 2/2008 Brenneke et al. D23/351
D597,642 S * 8/2009 Kaiser et al. D23/351

* cited by examiner

Primary Examiner—Brian N Vinson

(74) *Attorney, Agent, or Firm*—Ditthavong Mori & Steiner,
P.C.

(57) **CLAIM**

The ornamental design for a heat exchanger for air condi-
tioner, as shown and described.

DESCRIPTION

FIG. 1 is a front and right side perspective view of a heat
exchanger for air conditioner, showing our new design;

FIG. 2 is a front view thereof;

FIG. 3 is a right side view thereof;

FIG. 4 is a left side view thereof;

FIG. 5 is a top plan view thereof;

FIG. 6 is a rear view thereof;

FIG. 7 is a bottom view thereof;

FIG. 8 is a front and right side perspective view showing the
heat exchanger for air conditioner, shown with additional
units side-by-side with piping as environmental structure
shown in broken lines for illustrative purposes only; and,

FIG. 9 is a front and right side perspective view showing the
heat exchanger for air conditioner, shown with additional
units in line with piping as environmental structure shown in
broken lines for illustrative purposes only.

Portions of the disclosure shown in broken lines in FIGS. 1, 5,
8, and 9 form no part of the claimed design.

1 Claim, 3 Drawing Sheets

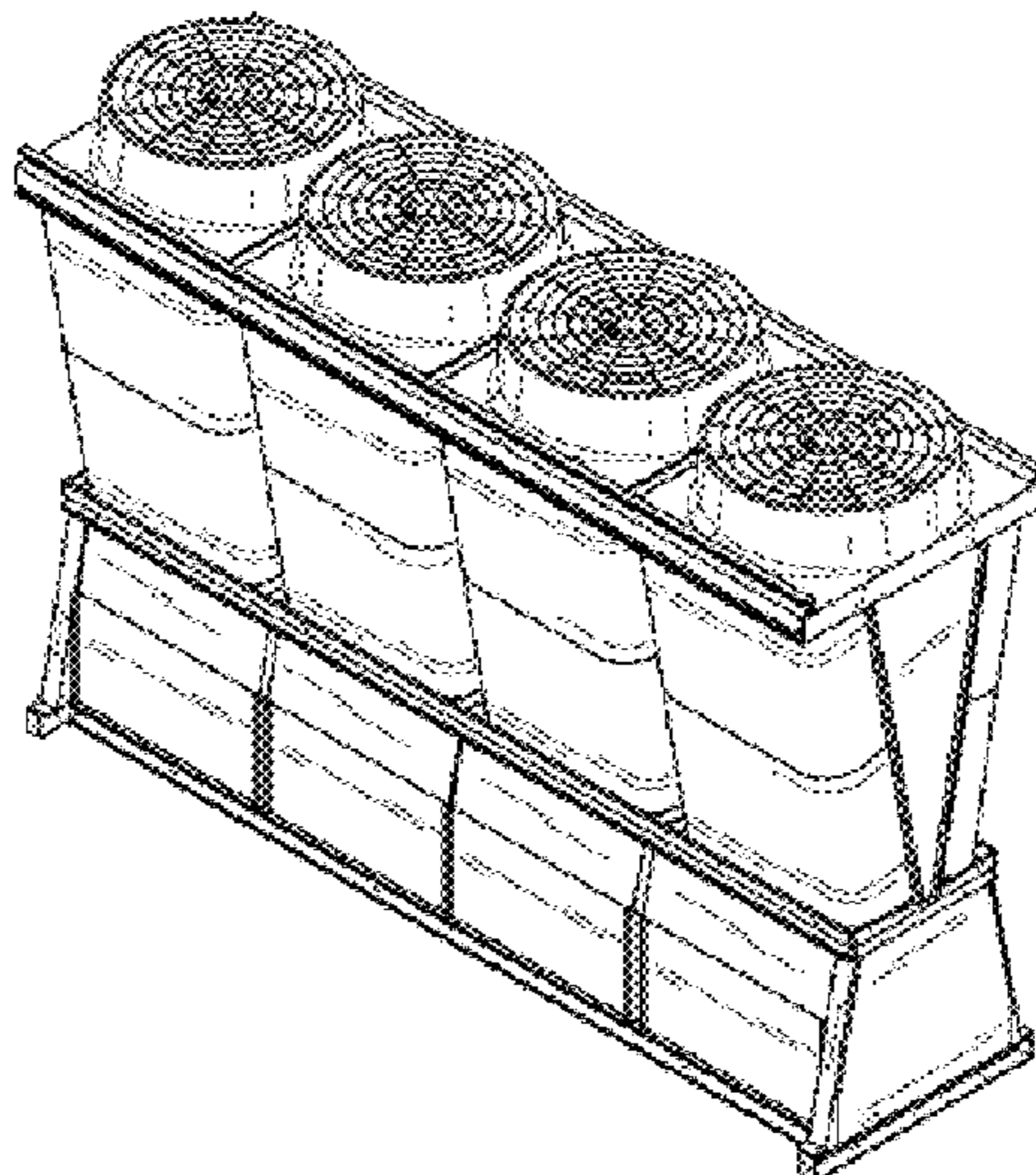


Fig. 1

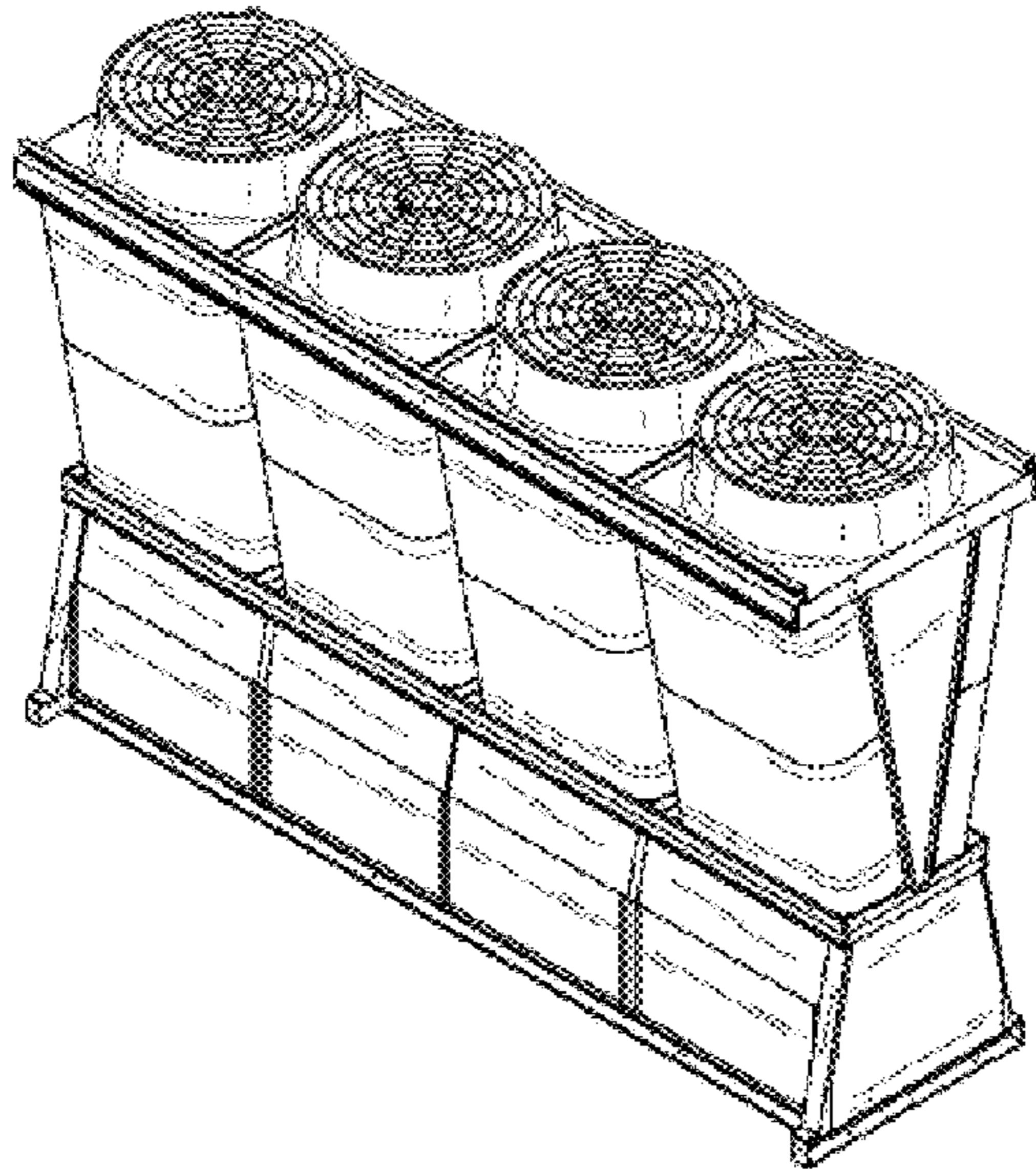


Fig. 3

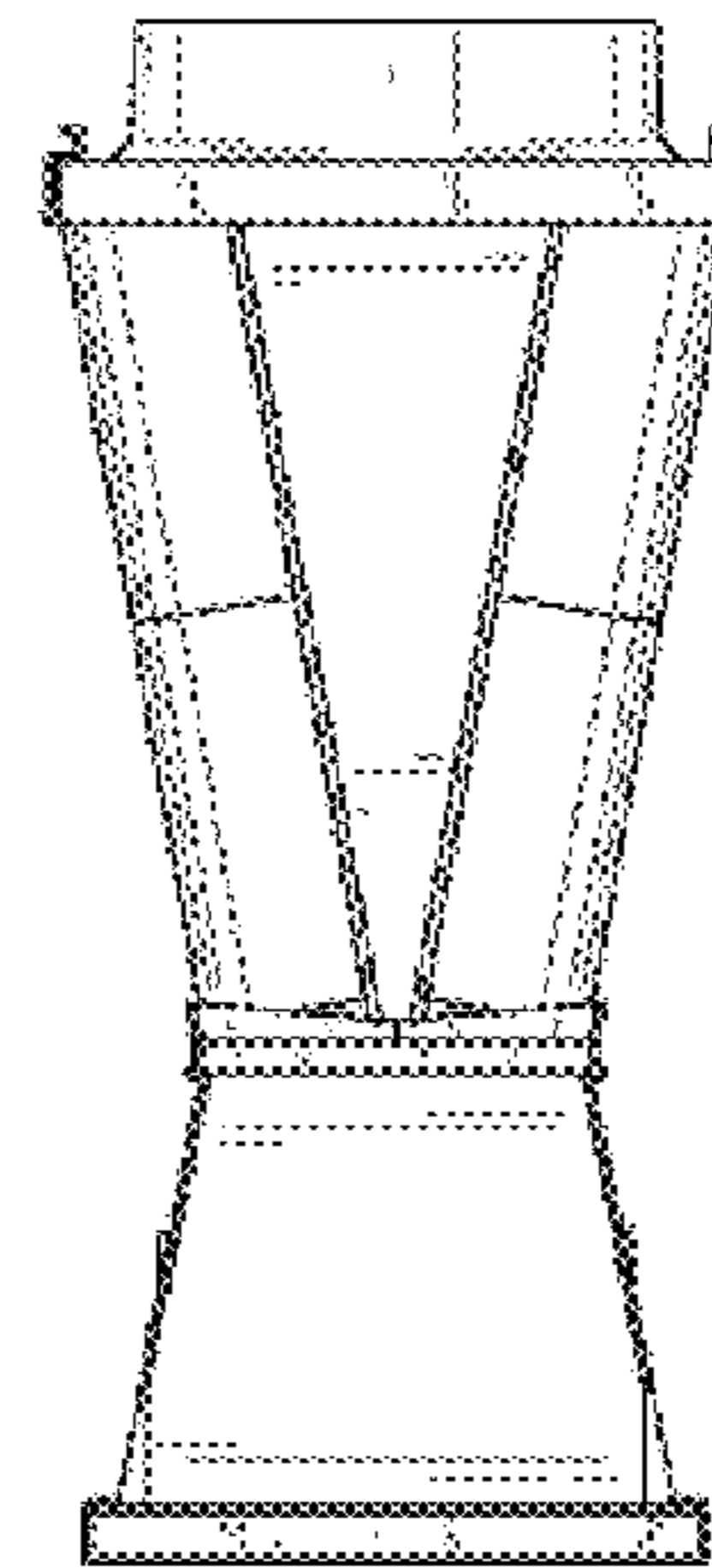


Fig. 4

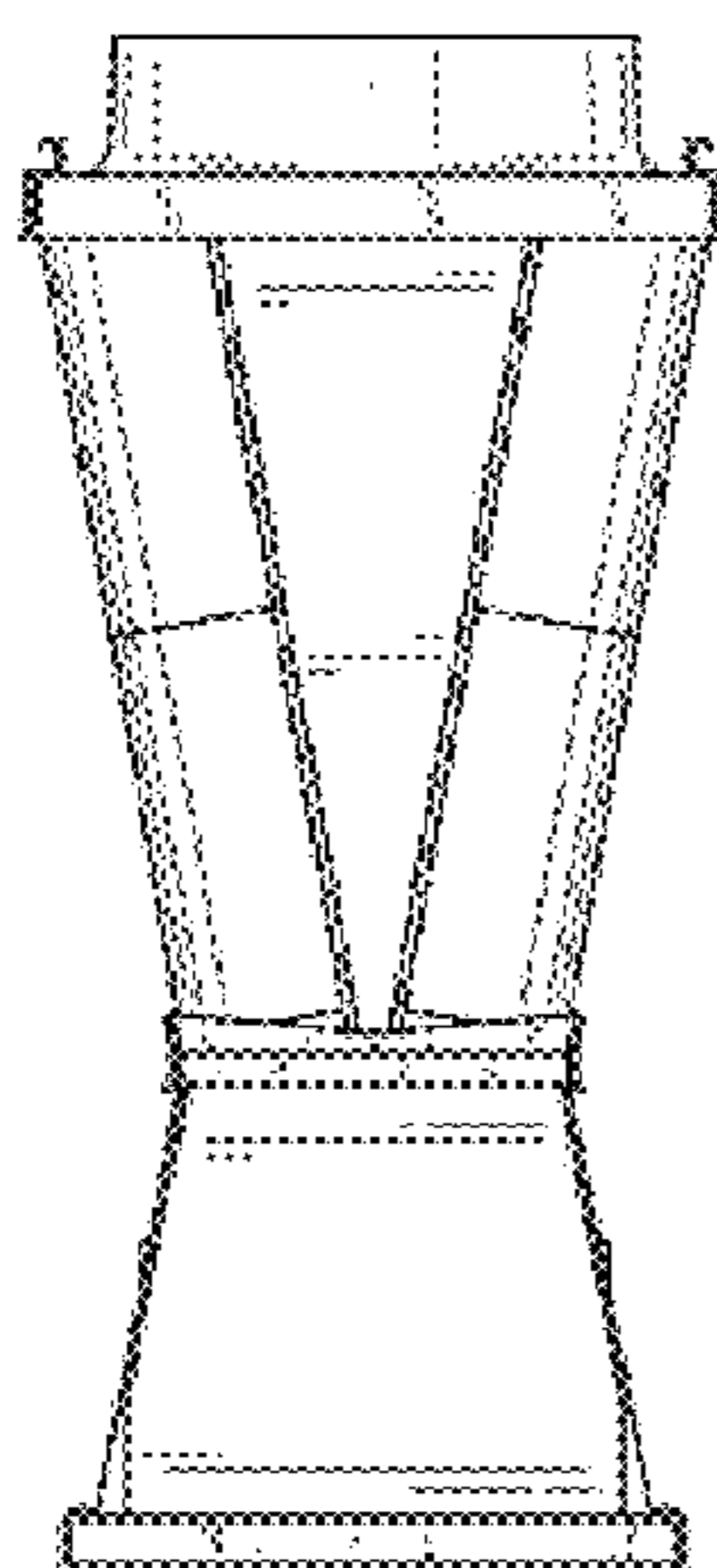


Fig. 2

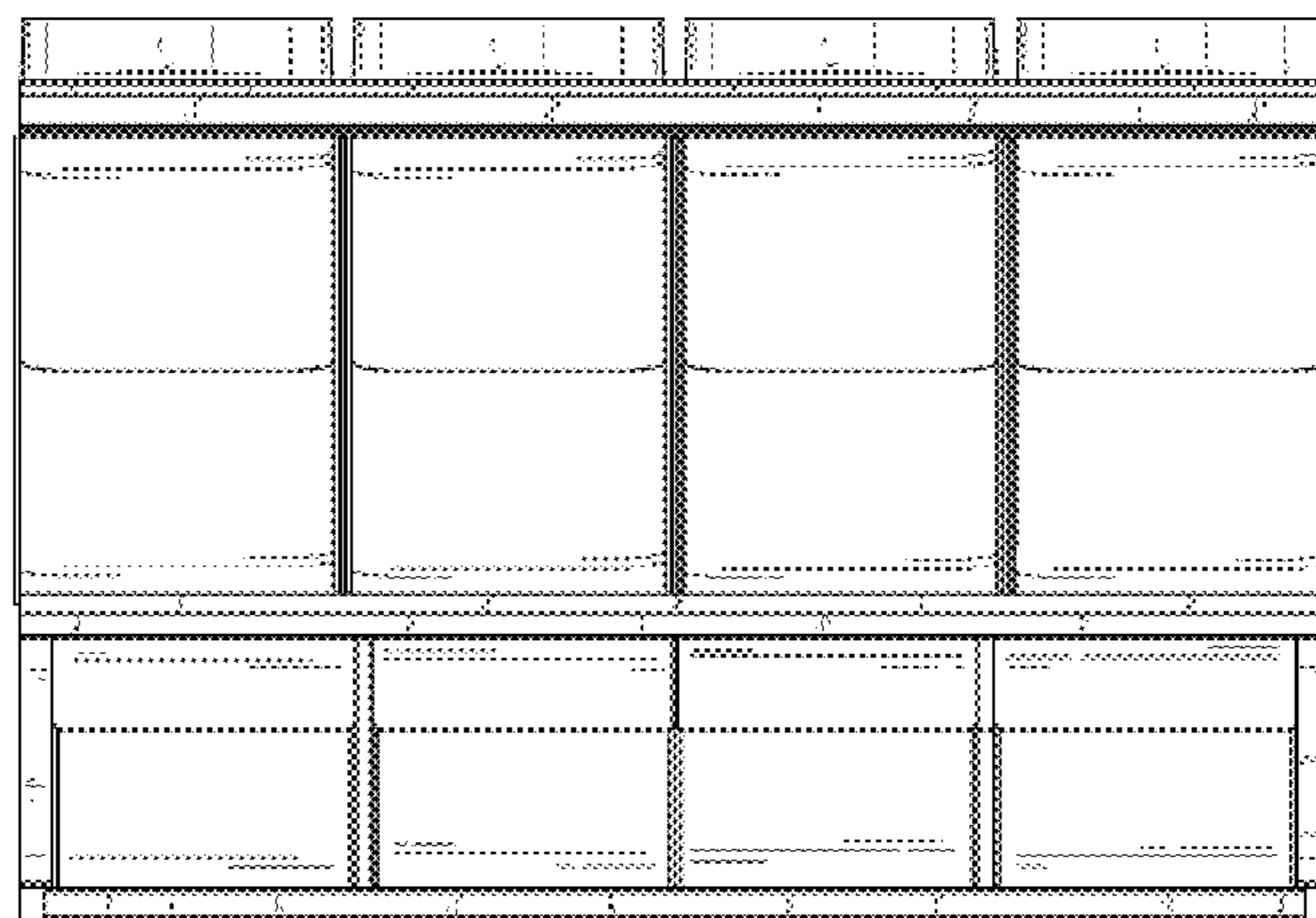


Fig. 5

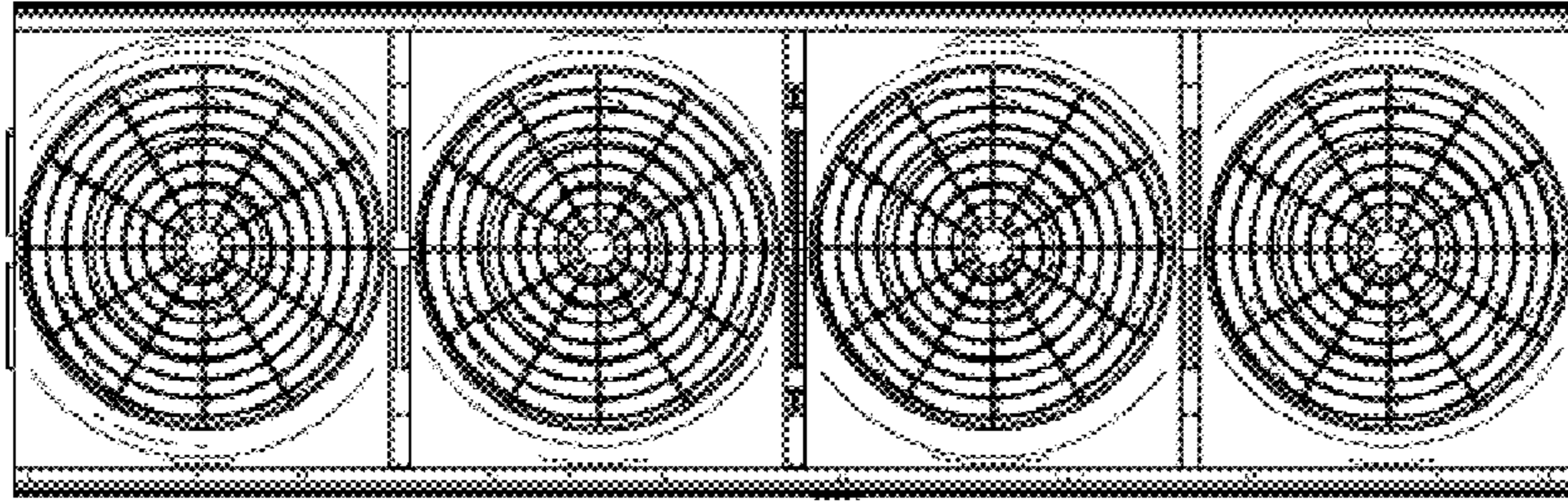


Fig. 6

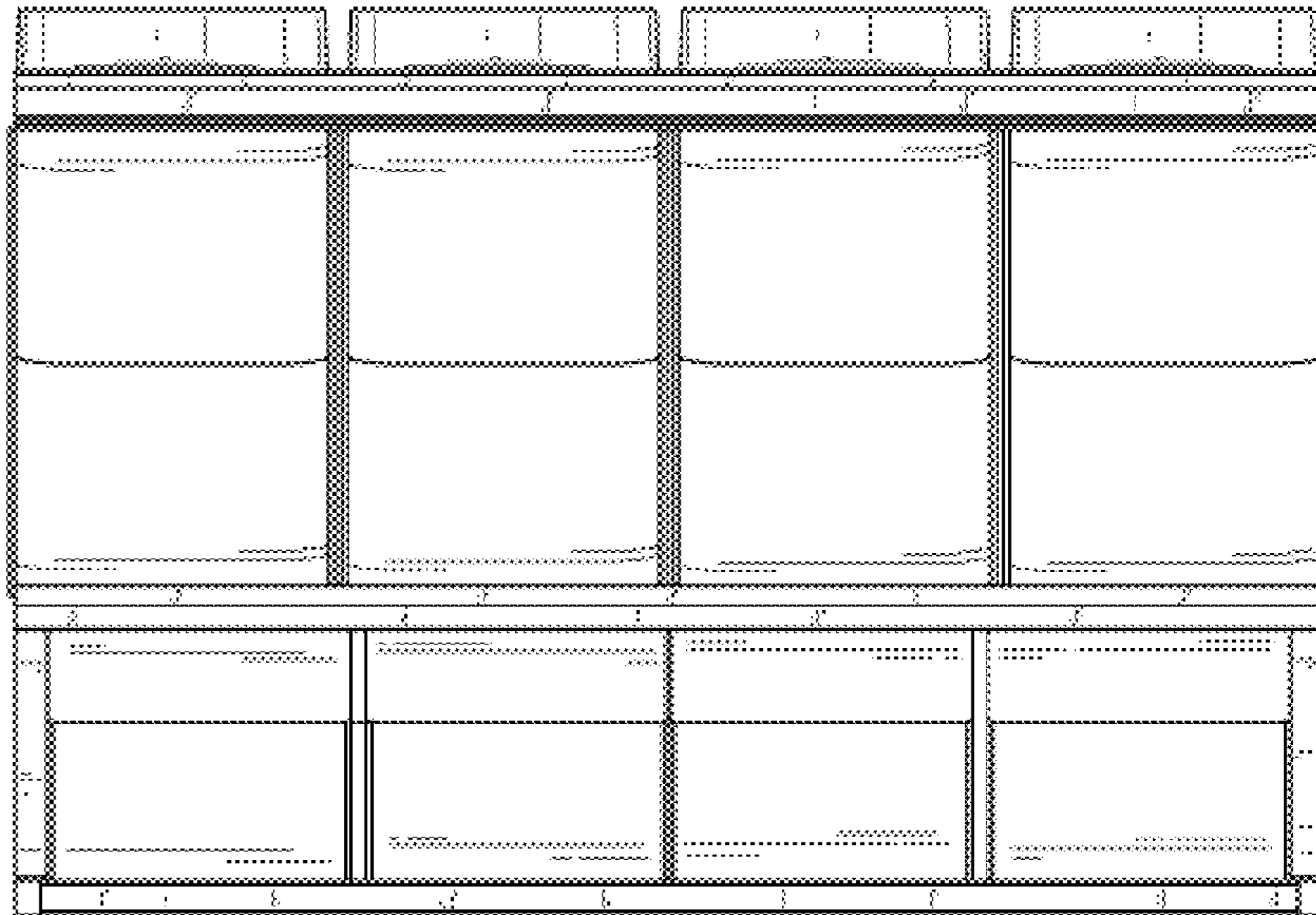


Fig. 7

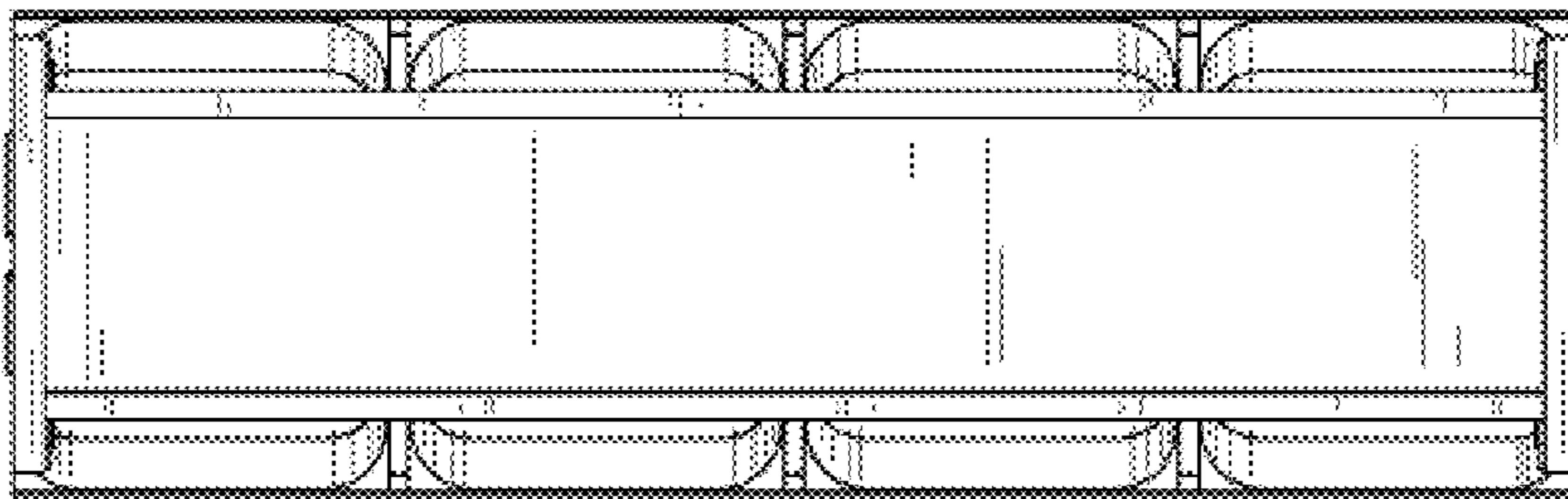


FIG. 8

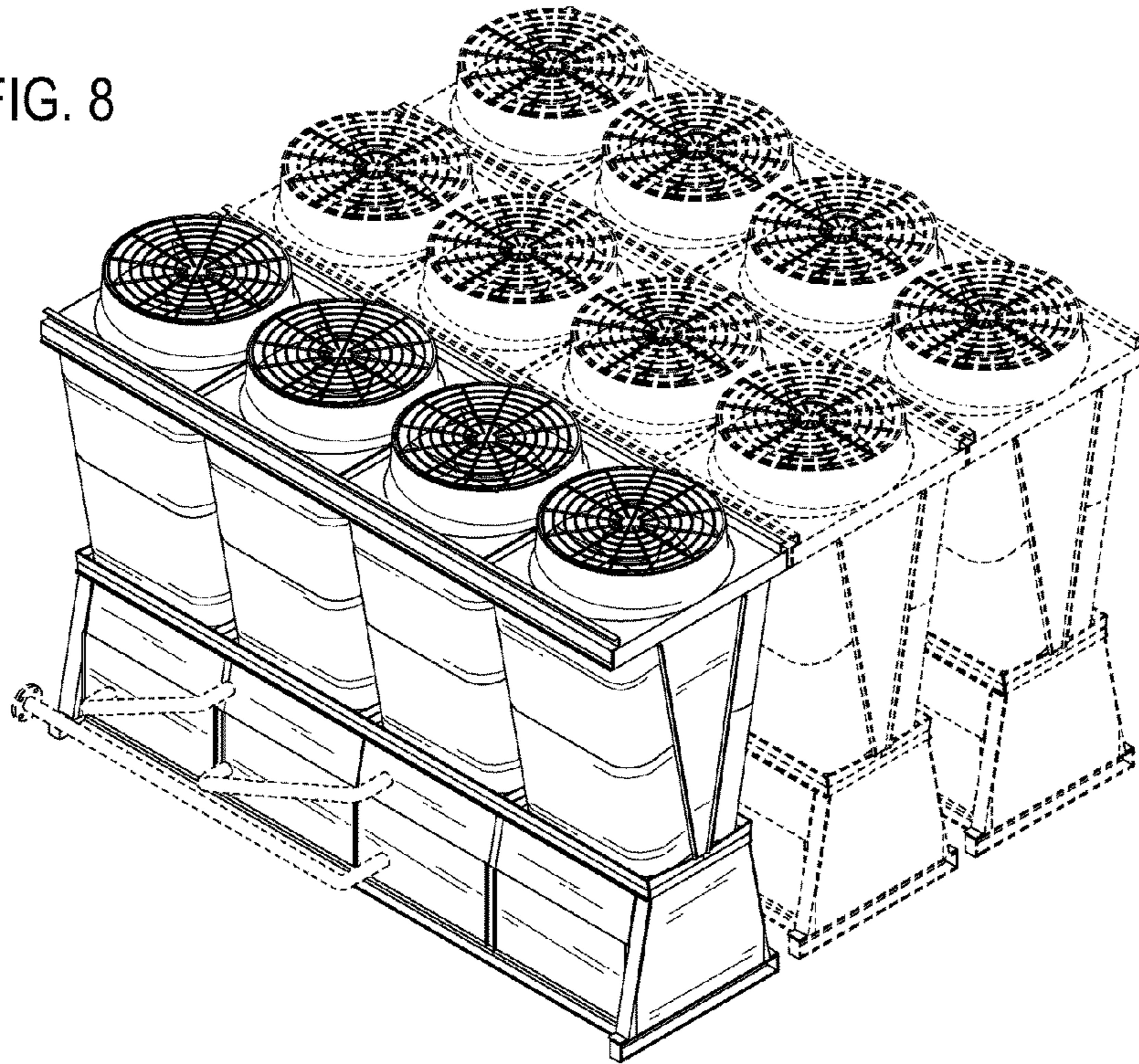


FIG. 9

