

US00D629091S

(12) **United States Design Patent**  
**Maezawa et al.**

(10) **Patent No.:** **US D629,091 S**

(45) **Date of Patent:** **\*\* Dec. 14, 2010**

(54) **HEAT EXCHANGER FOR AIR  
CONDITIONER**

(75) Inventors: **Mitsunobu Maezawa**, Fuji (JP);  
**Tomiaki Ishihara**, Tokyo (JP)

(73) Assignee: **Toshiba Carrier Corporation**, Tokyo  
(JP)

(\*\*) Term: **14 Years**

(21) Appl. No.: **29/354,600**

(22) Filed: **Jan. 26, 2010**

(30) **Foreign Application Priority Data**

Jul. 27, 2009 (JP) ..... 2009-017009

(51) **LOC (9) Cl.** ..... **23-04**

(52) **U.S. Cl.** ..... **D23/351**

(58) **Field of Classification Search** ..... D6/314,  
D6/317, 332-333, 351; 312/236; 62/259.1,  
62/259.3, 259.4, 262-263, 304, 401, 515-516;  
454/330-331, 349-350, 354

See application file for complete search history.

(56) **References Cited**

**U.S. PATENT DOCUMENTS**

D435,095 S \* 12/2000 Nanjo ..... D23/351  
D540,452 S \* 4/2007 Narayanamurthy et al. D23/351  
D603,495 S \* 11/2009 Sata et al. .... D23/351  
D603,948 S \* 11/2009 Ishihara ..... D23/351

D604,400 S \* 11/2009 Sata et al. .... D23/351  
D604,822 S \* 11/2009 Lee ..... D23/351  
D605,271 S \* 12/2009 Sata et al. .... D23/351  
D607,981 S \* 1/2010 Yamaguchi et al. .... D23/351  
D617,886 S \* 6/2010 Sata et al. .... D23/351  
D617,887 S \* 6/2010 Sata et al. .... D23/351

\* cited by examiner

*Primary Examiner*—Brian N Vinson

(74) *Attorney, Agent, or Firm*—Ditthavong Mori & Steiner,  
P.C.

(57) **CLAIM**

The ornamental design for a heat exchanger for air condi-  
tioner, as shown and described.

**DESCRIPTION**

FIG. 1 is a front and right side perspective view of a heat  
exchanger for air conditioner, showing our new design;

FIG. 2 is a front view thereof;

FIG. 3 is a right side view thereof;

FIG. 4 is a left side view thereof;

FIG. 5 is a top plan view thereof, the broken-line disclosure  
being understood to represent a portion of the article in which  
the claimed design is embodied, but which forms no part of  
the claimed design;

FIG. 6 is a rear view thereof; and,

FIG. 7 is a bottom view thereof.

**1 Claim, 2 Drawing Sheets**

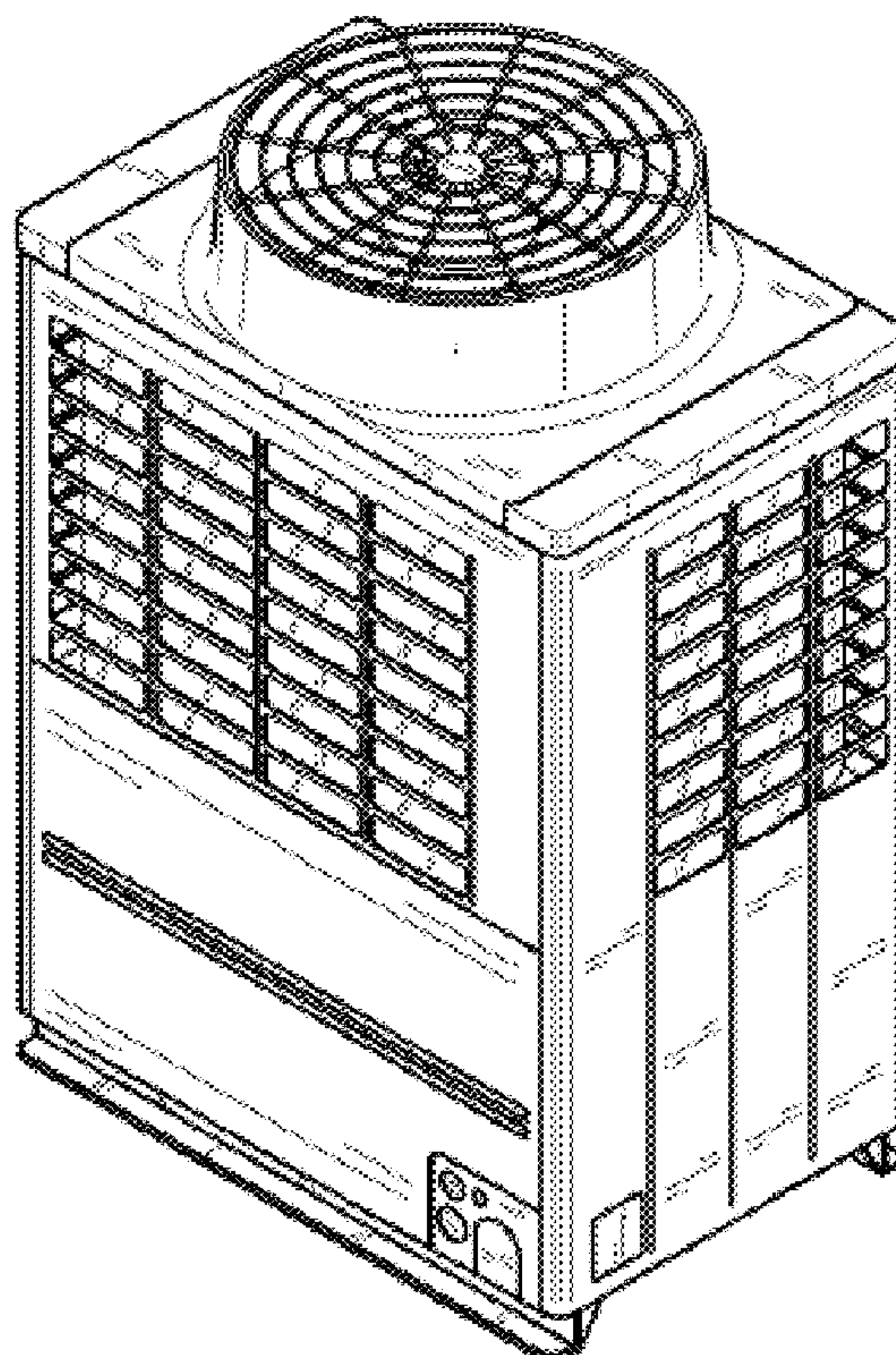




Fig. 1

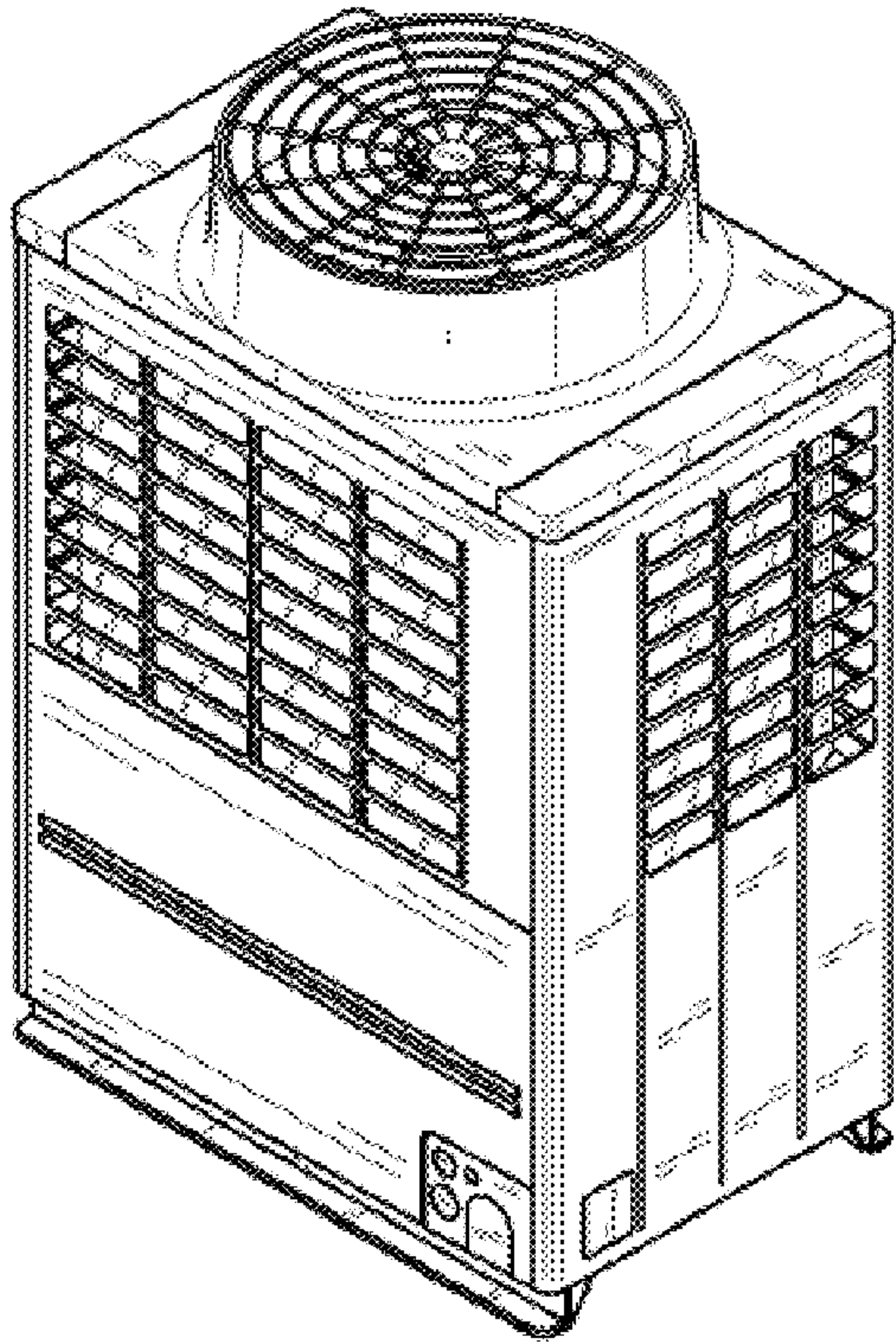


Fig. 2

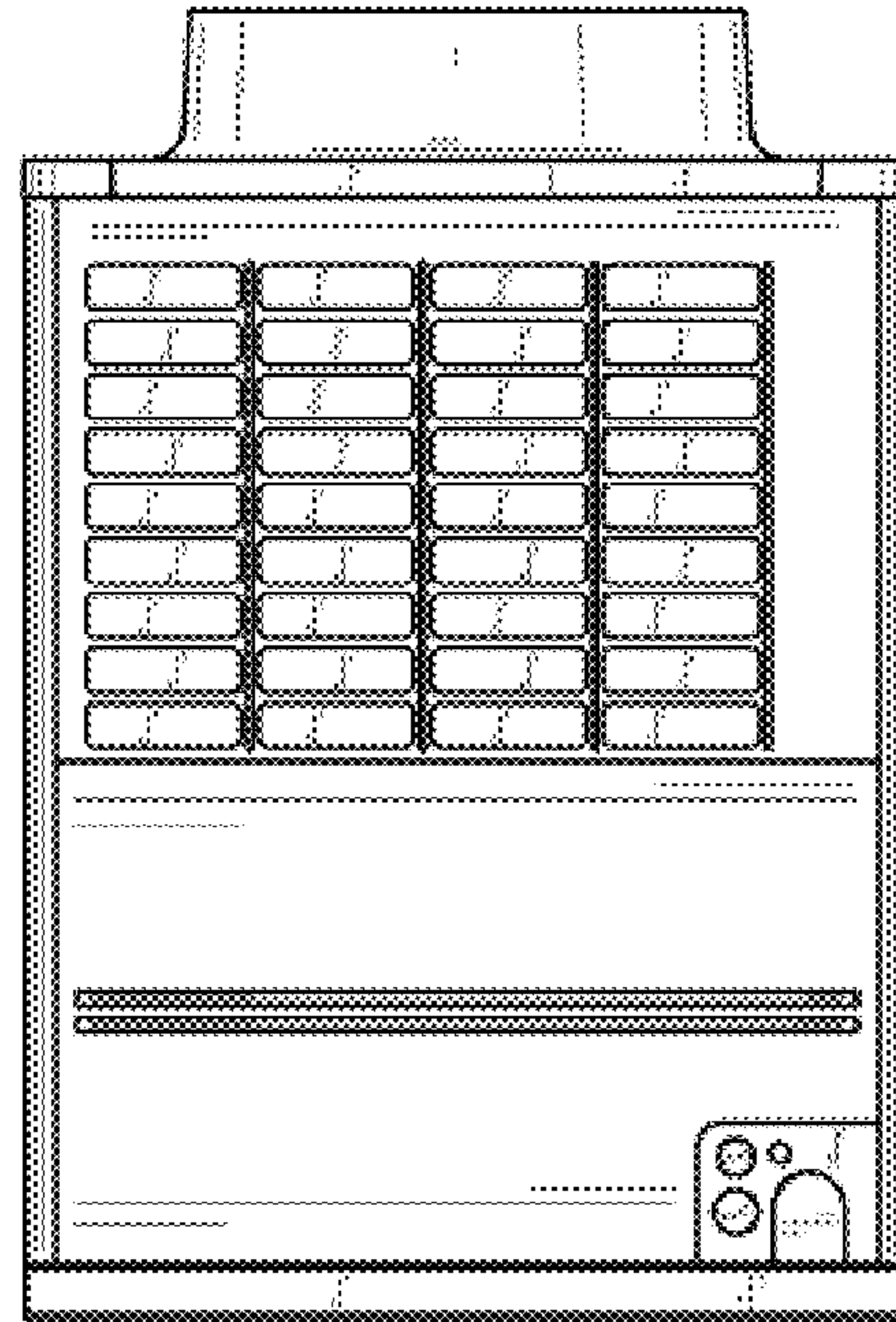


Fig. 3

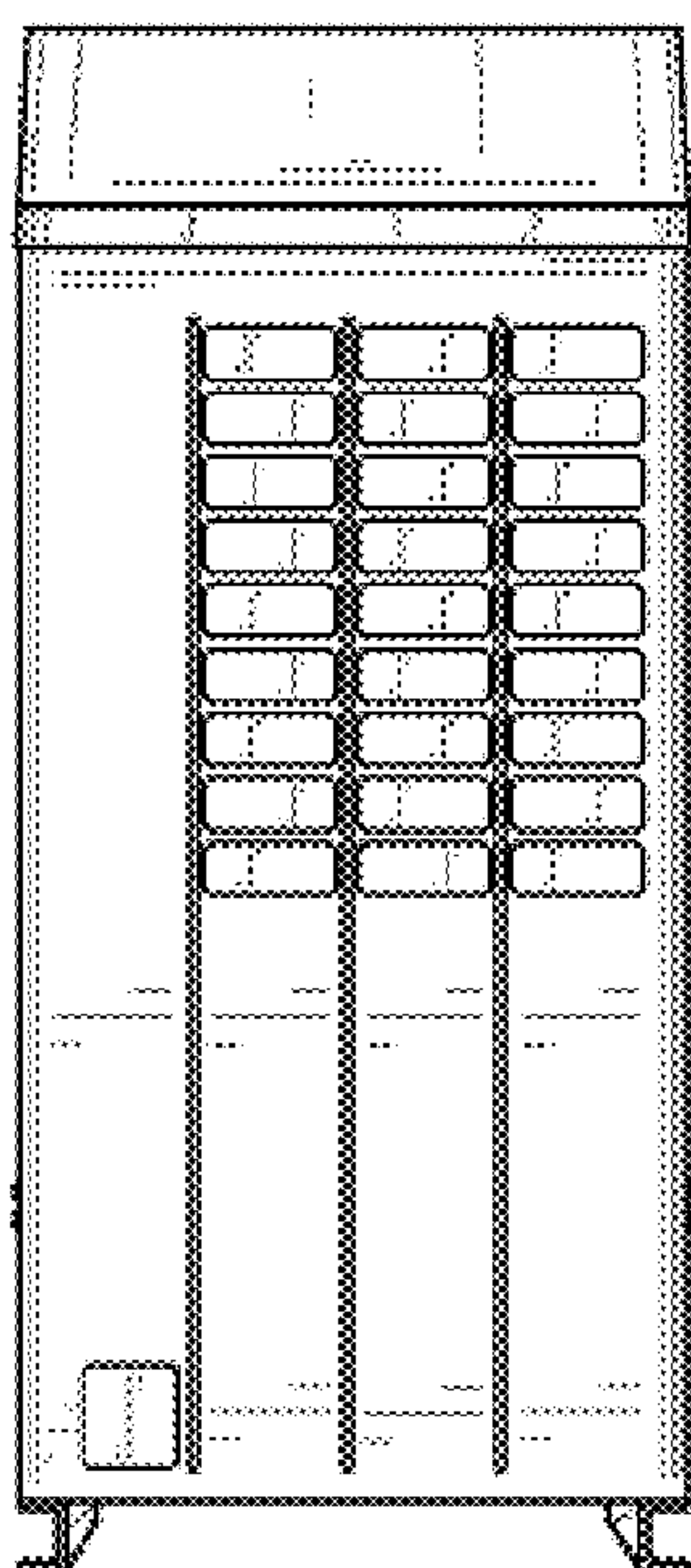


Fig. 4

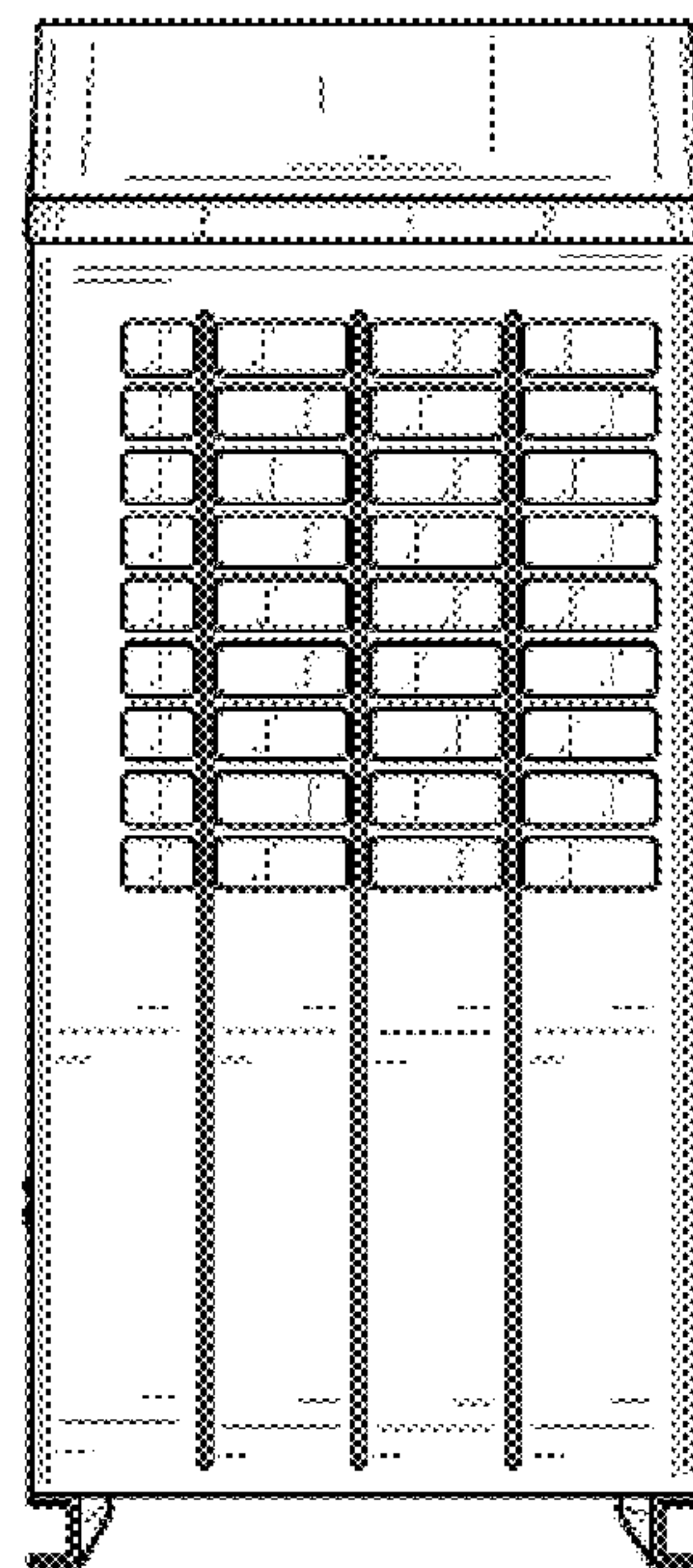


Fig. 5

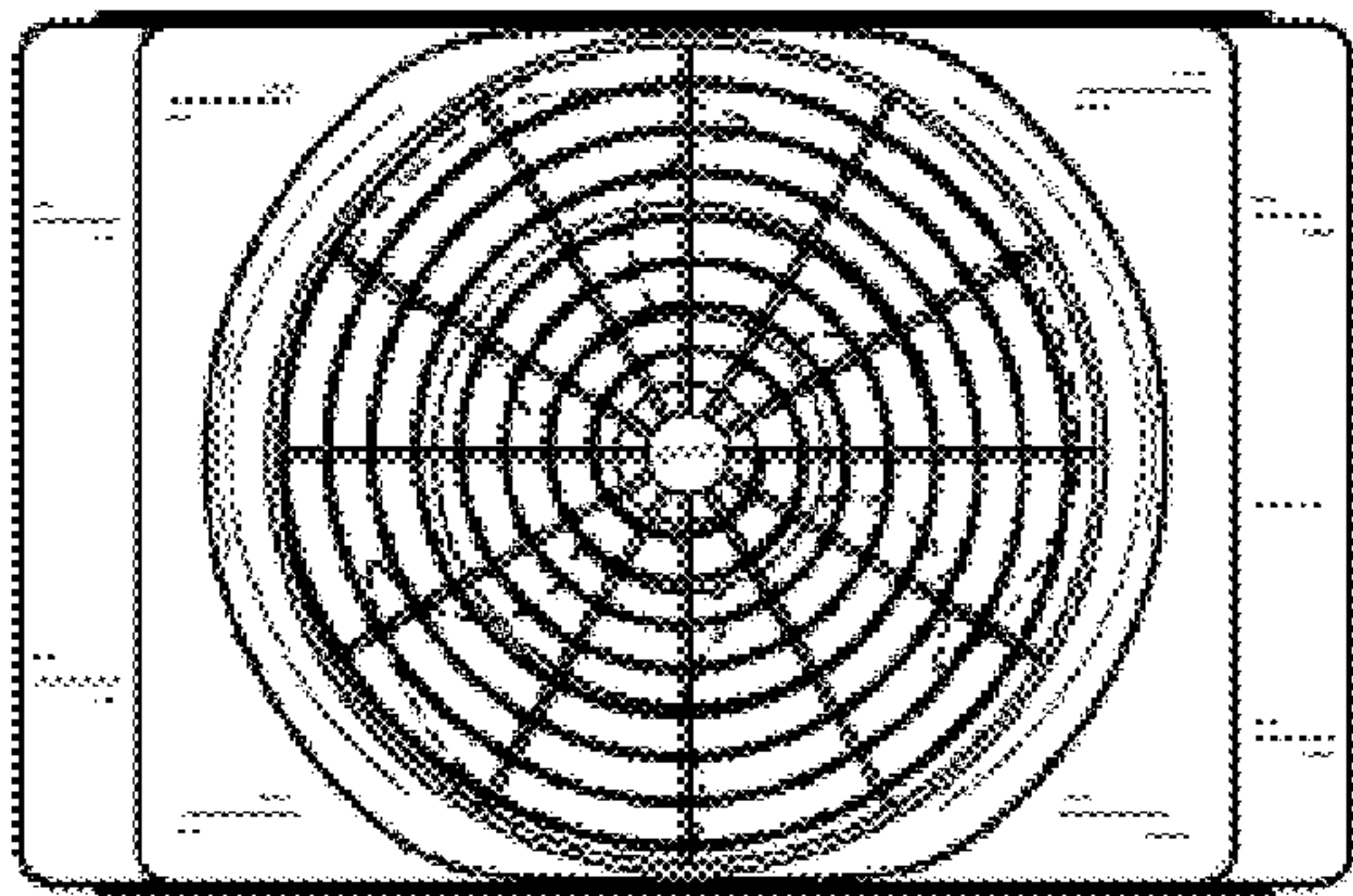


Fig. 6

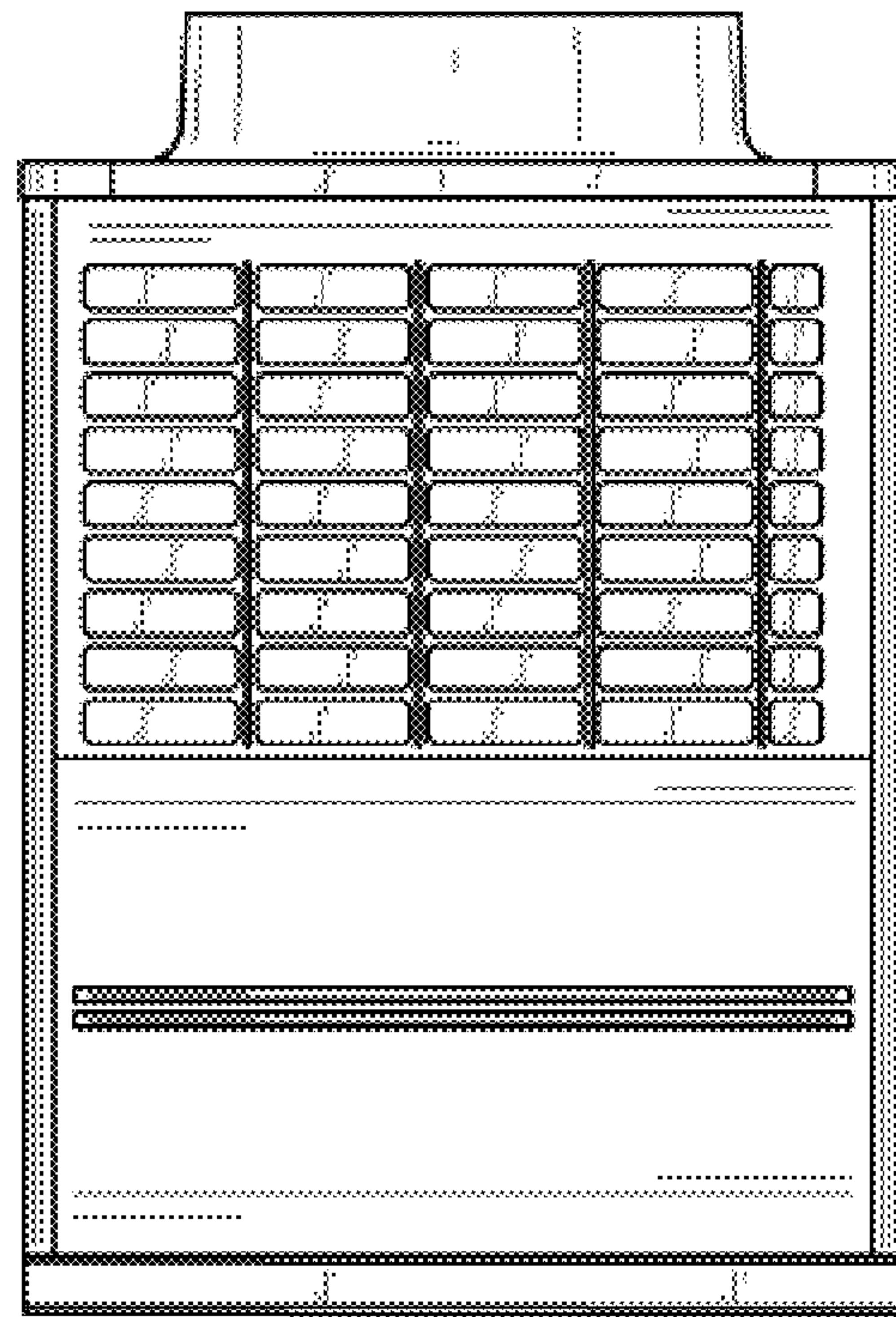


Fig. 7

