



US00D629090S

(12) **United States Design Patent**
Quinn et al.

(10) **Patent No.:** **US D629,090 S**
(45) **Date of Patent:** **** Dec. 14, 2010**

(54) **AIR DRYER**

FOREIGN PATENT DOCUMENTS

(75) Inventors: **Leonard A. Quinn**, Lagrange, OH (US);
Gregory Ashley, Amherst, OH (US)

EP 214373 A1 3/1987

(Continued)

(73) Assignee: **Bendix Commercial Vehicle Systems LLC**, Elyria, OH (US)

OTHER PUBLICATIONS

(**) Term: **14 Years**

Bendix Service Data SD-03-824, Bendix TC-7 Trailer Control Brake Valve, 4 pages, Mar. 2004, printed USA.

(21) Appl. No.: **29/366,036**

(Continued)

(22) Filed: **Jul. 19, 2010**

Primary Examiner—T. Chase Nelson
Assistant Examiner—Eric L Goodman

Related U.S. Application Data

(60) Continuation of application No. 29/345,914, filed on Oct. 23, 2009, now Pat. No. Des. 621,017, which is a division of application No. 29/257,655, filed on Apr. 7, 2006, now Pat. No. Des. 604,821.

(74) *Attorney, Agent, or Firm*—Calfee, Halter & Griswold LLP

(51) **LOC (9) Cl.** **23-03**

(52) **U.S. Cl.** **D23/347**

(58) **Field of Classification Search** D23/332–350,
D23/355, 359, 365, 202, 205; 34/351, 80;
96/147; 55/385.3; 285/62, 913; 95/118
See application file for complete search history.

(57) **CLAIM**

We claim the ornamental design for an air dryer, as shown and described.

(56) **References Cited**

U.S. PATENT DOCUMENTS

D297,256 S	8/1988	Schwarz
D360,459 S	7/1995	Tschaeppler
5,622,544 A	4/1997	Shamine et al.
5,853,024 A	12/1998	Life
6,094,836 A	8/2000	Mahoney et al.
D430,647 S	9/2000	Bergum et al.
6,581,297 B1	6/2003	Ginder

DESCRIPTION

FIG. 1 is a perspective view of an air dryer in one embodiment of the new design;

FIG. 2 is a first side view of the air dryer of FIG. 1;

FIG. 3 is a second side view of the air dryer of FIG. 1;

FIG. 4 is a third side view of the air dryer of FIG. 1;

FIG. 5 is a fourth view of the air dryer of FIG. 1;

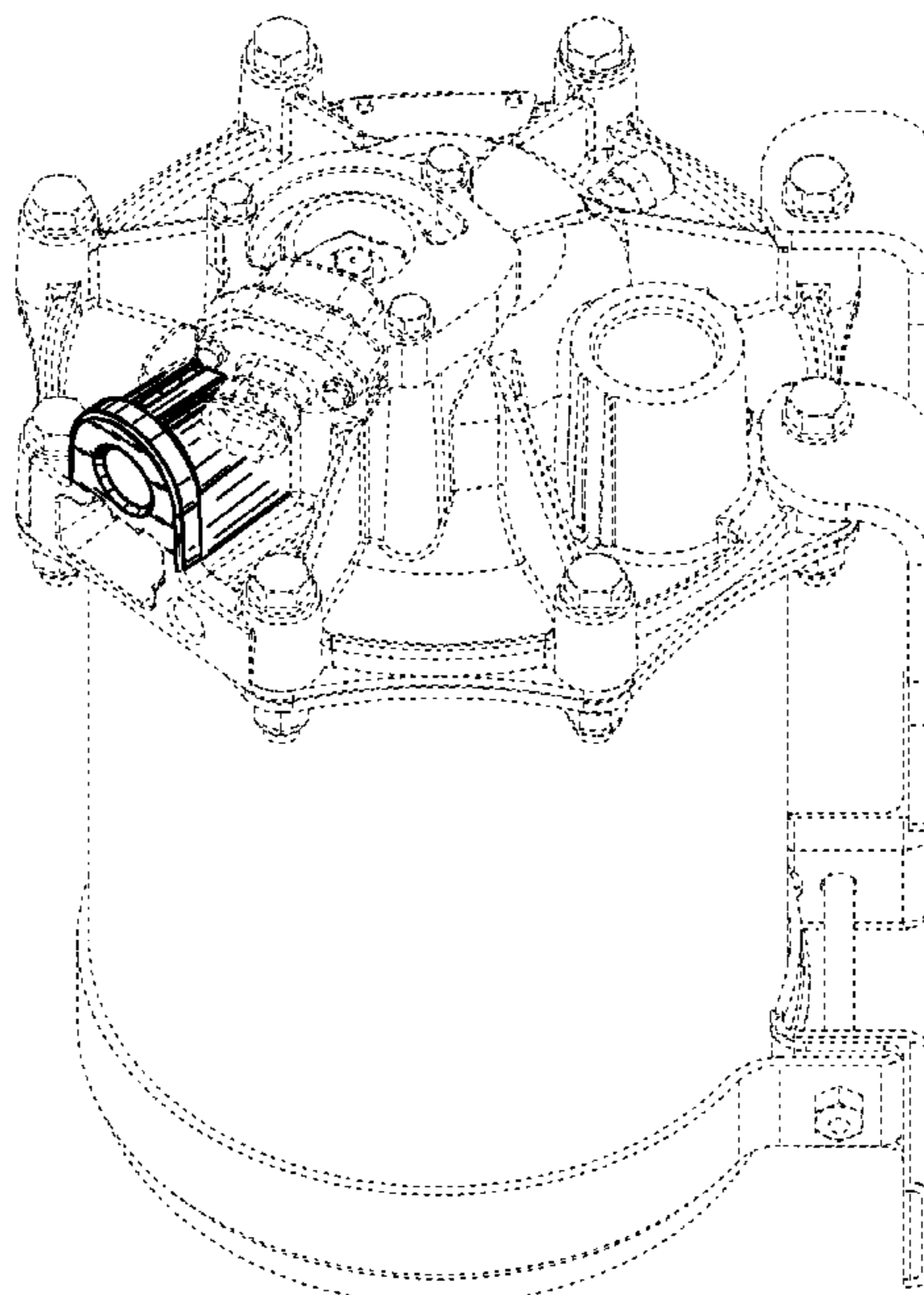
FIG. 6 is a top view of the air dryer of FIG. 1; and,

FIG. 7 is a bottom view of the air dryer of FIG. 1.

The portions of the Figures shown in phantom lines are not part of the claimed design and are for illustration only.

(Continued)

1 Claim, 7 Drawing Sheets



US D629,090 S

Page 2

U.S. PATENT DOCUMENTS

6,585,806 B2 7/2003 Quinn et al.
D482,435 S 11/2003 Kawakami et al.
6,701,709 B2 3/2004 Issac, Jr. et al.
6,730,143 B1 5/2004 Nichols et al.
D495,036 S 8/2004 Fukai
D498,820 S 11/2004 Fukai
D499,172 S 11/2004 Tripp et al.
6,824,594 B2 11/2004 Larsson
6,878,194 B2 4/2005 Hoffman et al.
D513,786 S 1/2006 Montano et al.
D518,874 S 4/2006 Takeda et al.
D519,188 S 4/2006 Hay
7,100,305 B2 9/2006 Hoffman et al.
D542,888 S 5/2007 Ye et al.
D546,419 S 7/2007 Steinberg
D546,920 S 7/2007 Fulkerson
7,273,072 B2 9/2007 Muller
D570,880 S 6/2008 Miller et al.
D574,940 S 8/2008 Quinn et al.
D578,549 S 10/2008 Nimberger
7,469,708 B2 12/2008 Koester
7,544,234 B2 6/2009 Fornof

D597,630 S 8/2009 Easton
7,568,496 B2 8/2009 Kraenzle
D604,821 S 11/2009 Quinn et al.
D606,163 S 12/2009 Bobby et al.
D607,087 S 12/2009 Bobby et al.
7,637,977 B2 * 12/2009 Lucidera 55/418
D621,017 S * 8/2010 Quinn et al. D23/347
2002/0017283 A1 2/2002 Furuya
2004/0083893 A1 5/2004 Larsson
2007/0084348 A1 4/2007 Hoffman et al.
2008/0307965 A1 12/2008 Hoffman et al.
2009/0199523 A1 8/2009 Hilberer

FOREIGN PATENT DOCUMENTS

WO 8911054 A1 11/1989

OTHER PUBLICATIONS

Bendix Service Data SD-03-821, Bendix TC-6 Trailer Control Brake Valve, 4 pages, Mar. 2004, printed USA.
Bendix Air System Components 03, Brake Valves, 5 pages, Mar. 2004, printed USA.

* cited by examiner

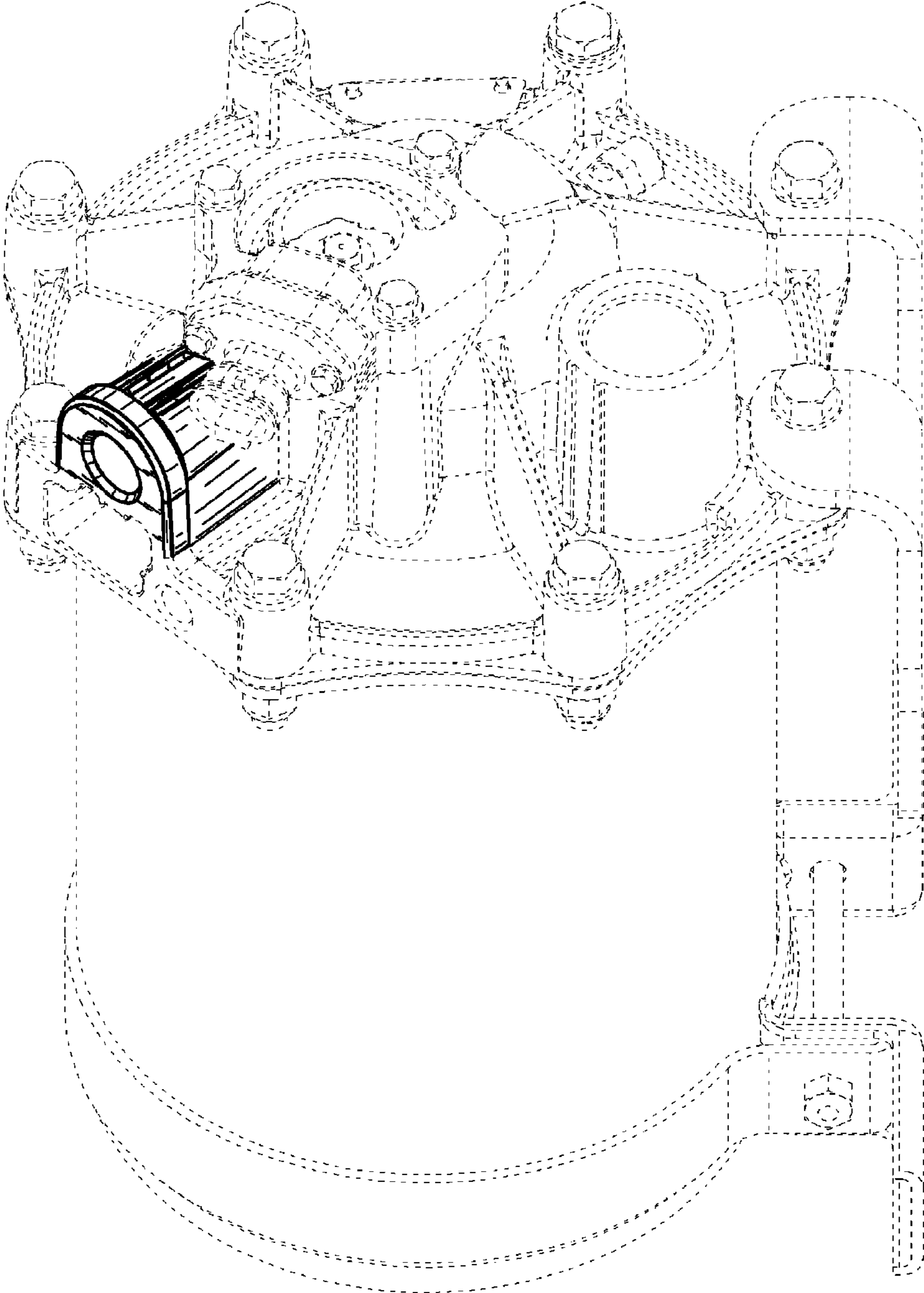


Fig.1

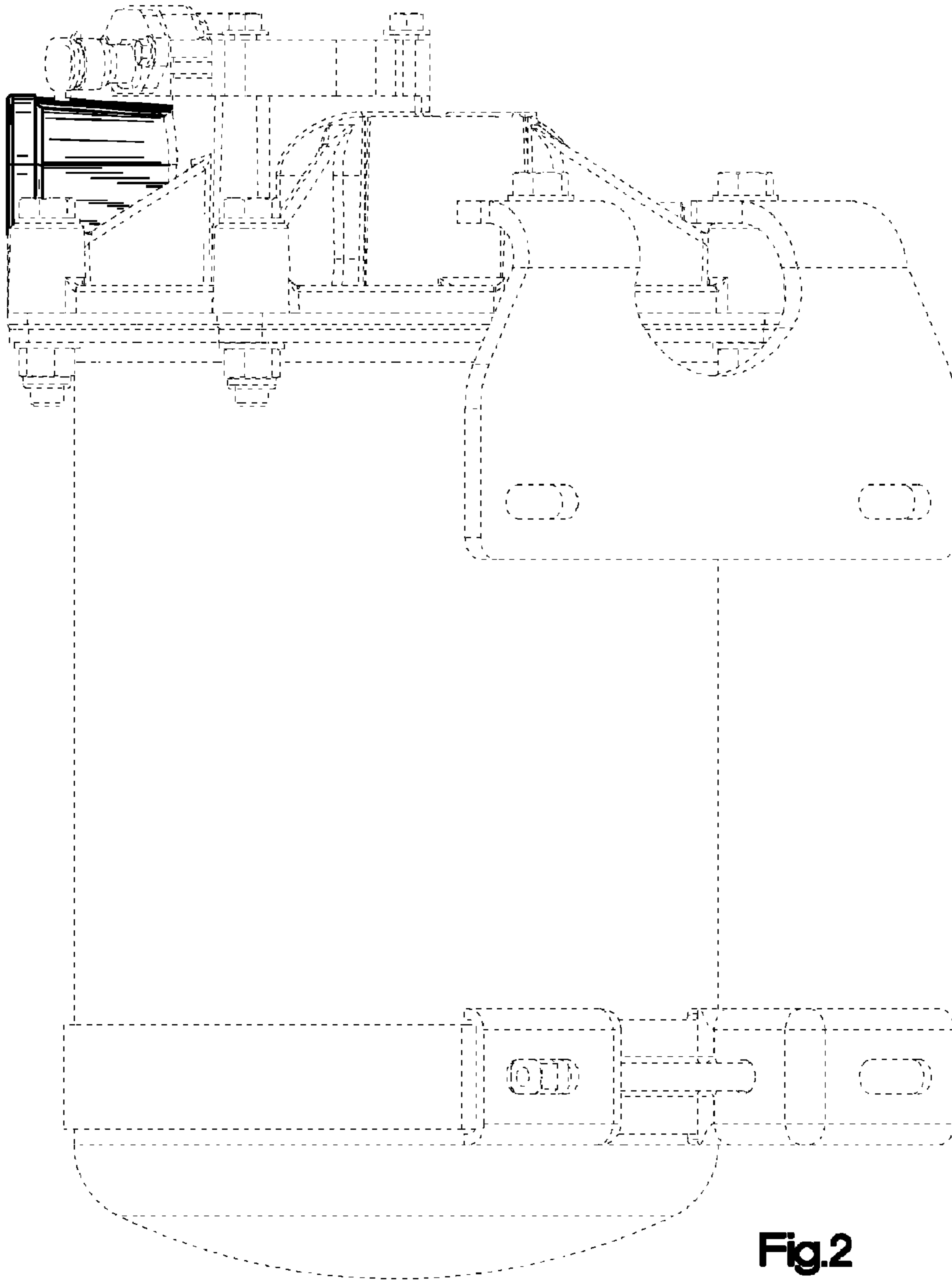


Fig.2

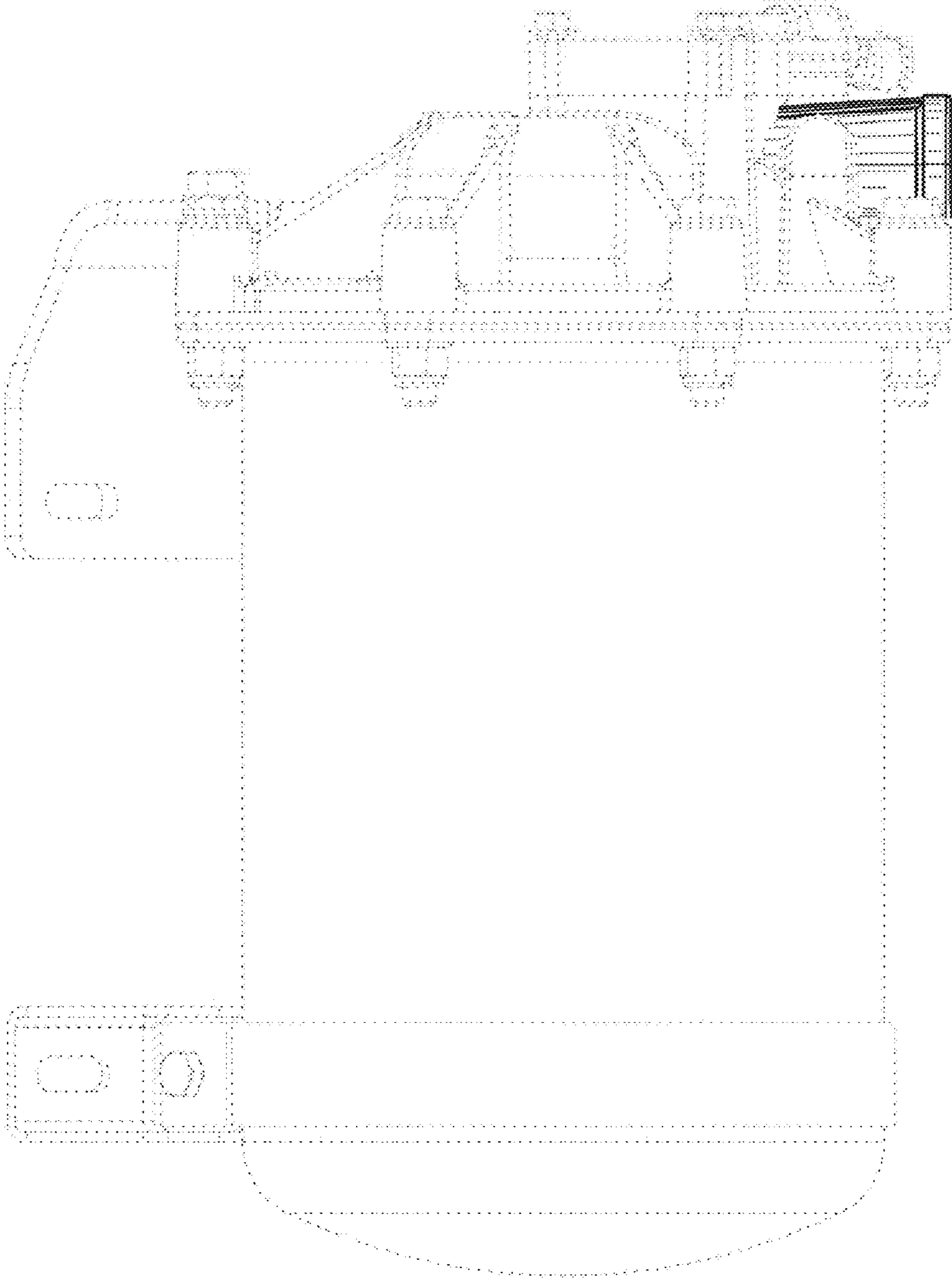


Fig.3

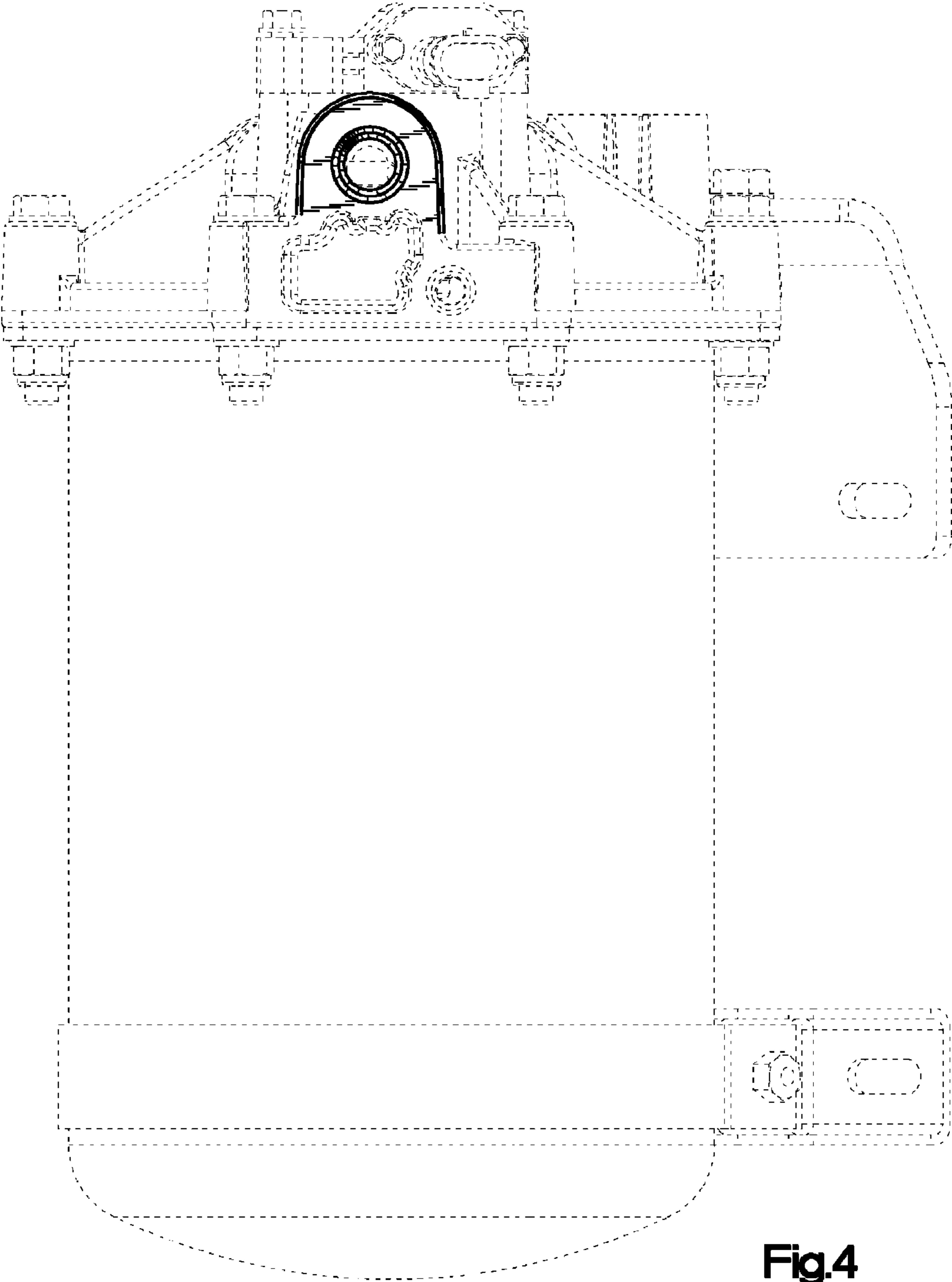


Fig.4

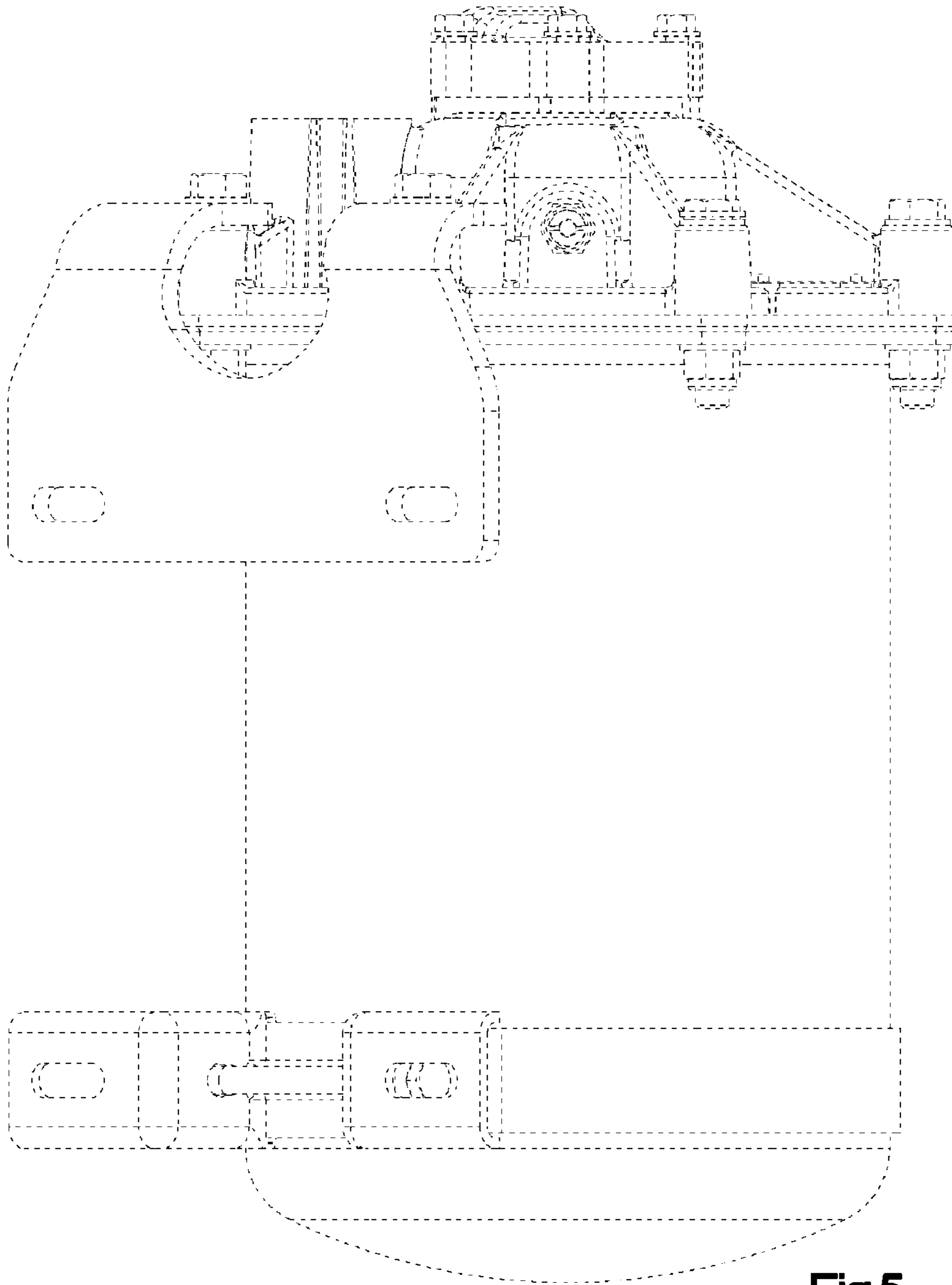


Fig.5

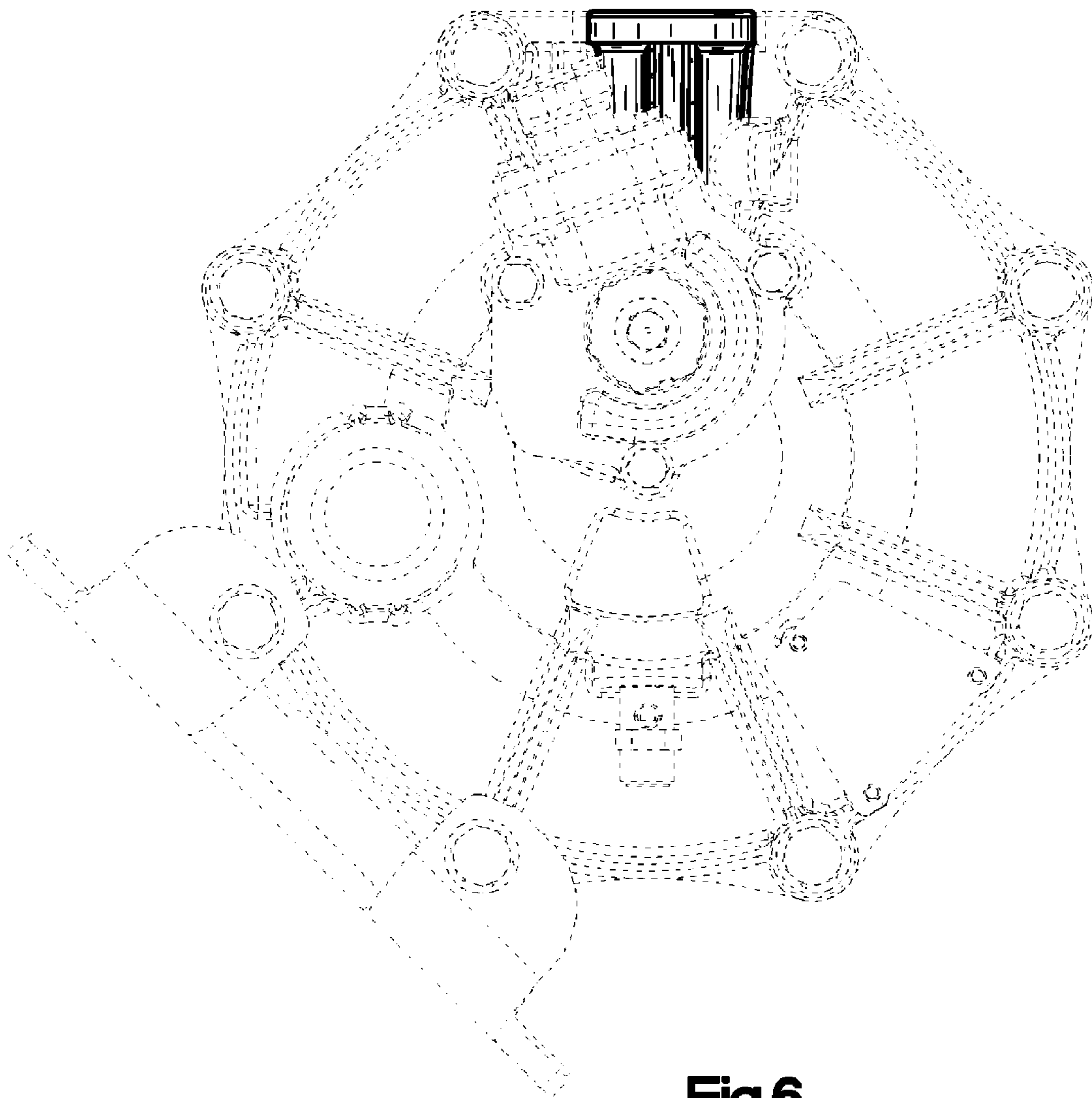


Fig.6

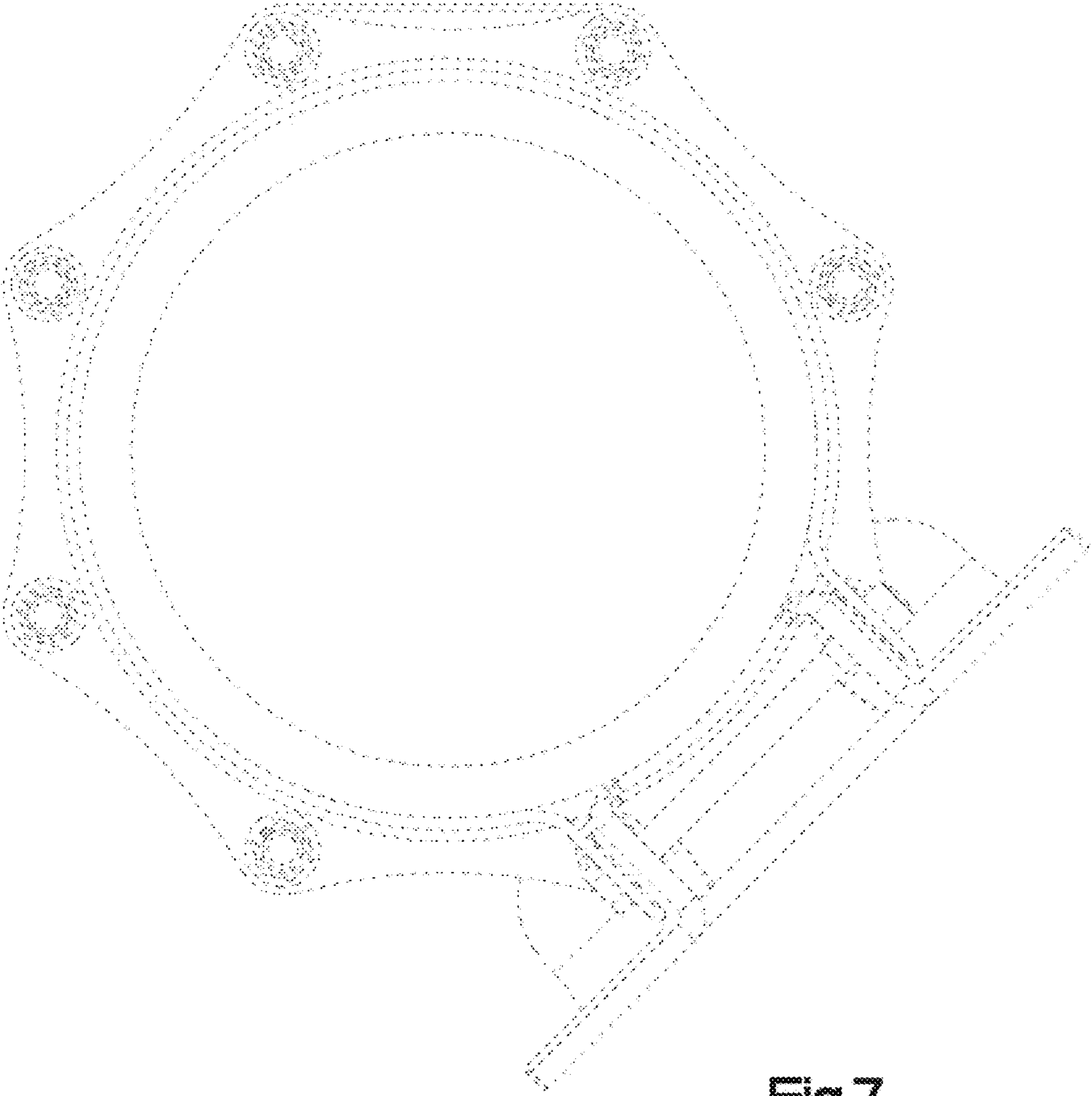


Fig.7