

US00D629088S

(12) **United States Design Patent**
Yoo et al.

(10) **Patent No.:** **US D629,088 S**

(45) **Date of Patent:** **** Dec. 14, 2010**

(54) **SHOWER ENCLOSURE**

D539,876 S * 4/2007 DeBoer et al. D23/275
D560,769 S * 1/2008 Breymaier et al. D23/283

(75) Inventors: **Man Ki Yoo**, Skokie, IL (US); **Victor Hoernig**, Lowell, IN (US); **Michael Reedy**, Chicago, IL (US)

* cited by examiner

Primary Examiner—Robert A Delehanty

(73) Assignee: **Masco Bath Corporation**, Moorestown, NJ (US)

(74) *Attorney, Agent, or Firm*—Nirav D. Parikh; Edgar A. Zarins; Lora J. Graentzdoerffer

(**) Term: **14 Years**

(57) **CLAIM**

(21) Appl. No.: **29/359,275**

The ornamental design for a shower enclosure, as shown and described.

(22) Filed: **Apr. 8, 2010**

DESCRIPTION

(51) **LOC (9) Cl.** **23-02**

FIG. 1 is a front/right side perspective view of a shower enclosure showing our new design;

(52) **U.S. Cl.** **D23/305**

FIG. 2 is a front elevational view thereof;

(58) **Field of Classification Search** D23/279,
D23/283, 275, 304–305; 4/552, 595
See application file for complete search history.

FIG. 3 is a cross-sectional view taken along line 3—3 of FIG. 2 thereof; and,

(56) **References Cited**

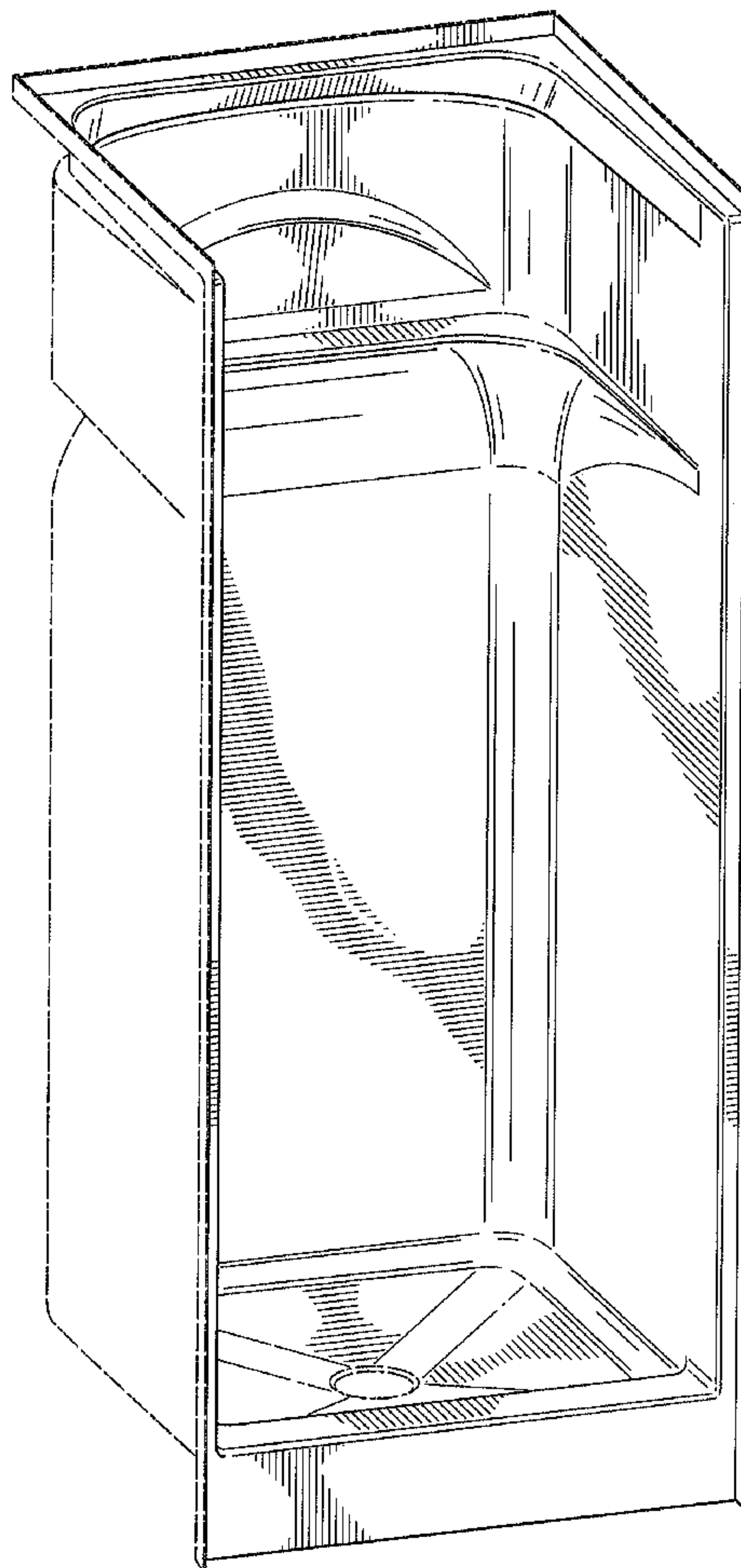
FIG. 4 is a top plan view thereof.

U.S. PATENT DOCUMENTS

The broken lines are for illustrative purposes only and form no part of the claimed design.

D274,458 S * 6/1984 Doman D23/305
D345,783 S * 4/1994 Kohler, Jr. D23/275

1 Claim, 4 Drawing Sheets



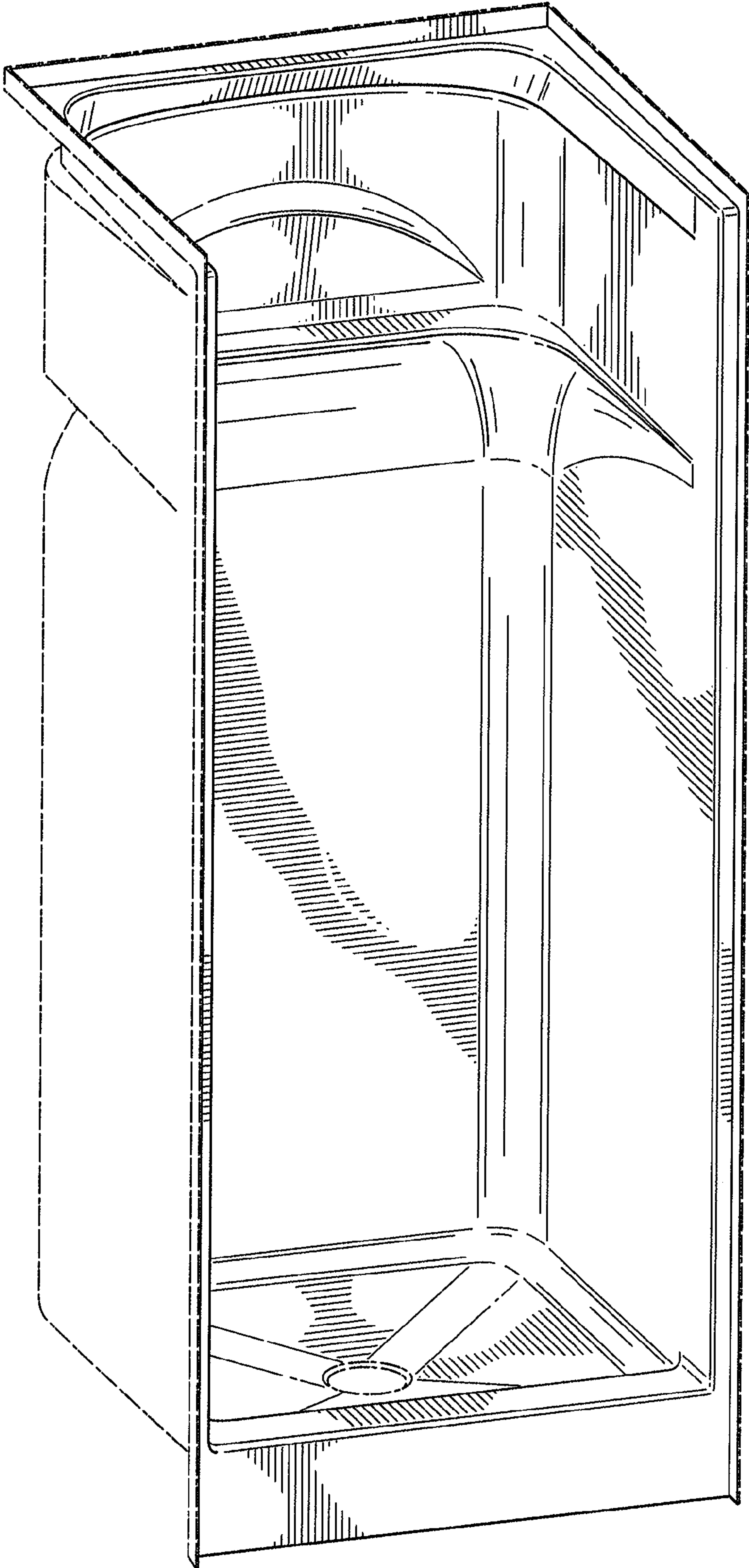


FIG. 1

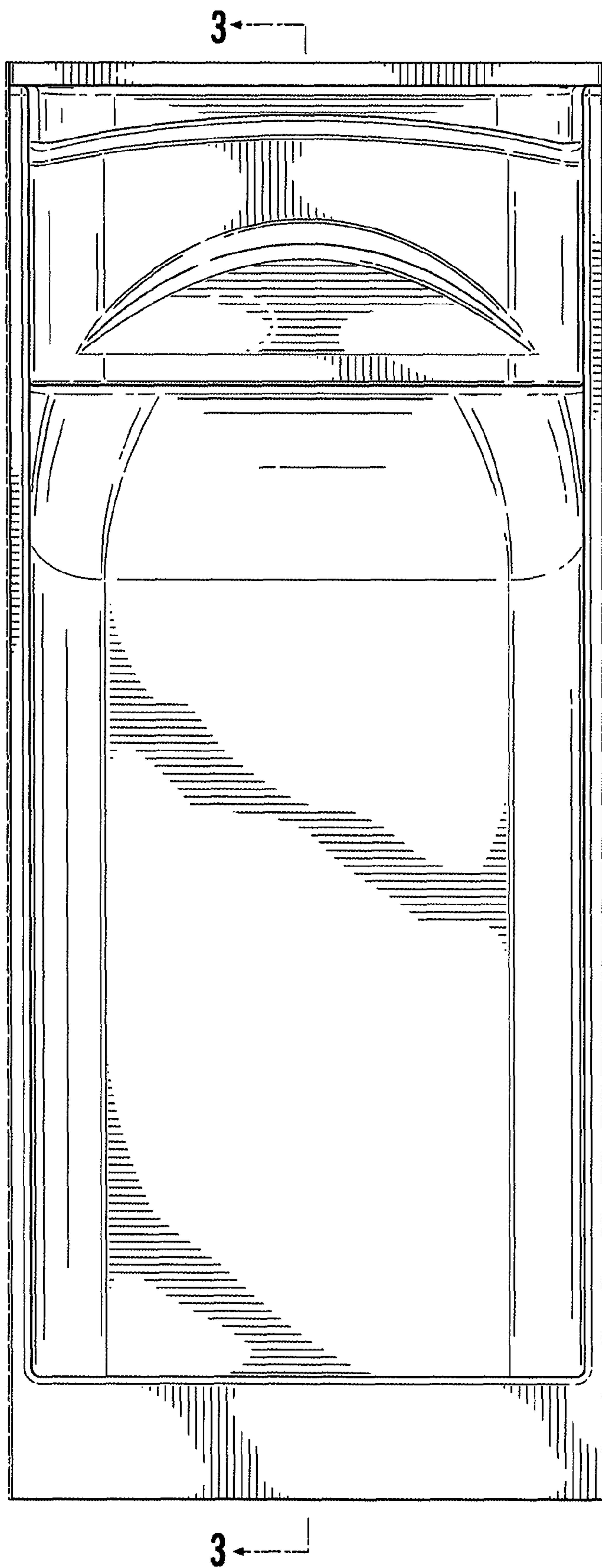


FIG. 2

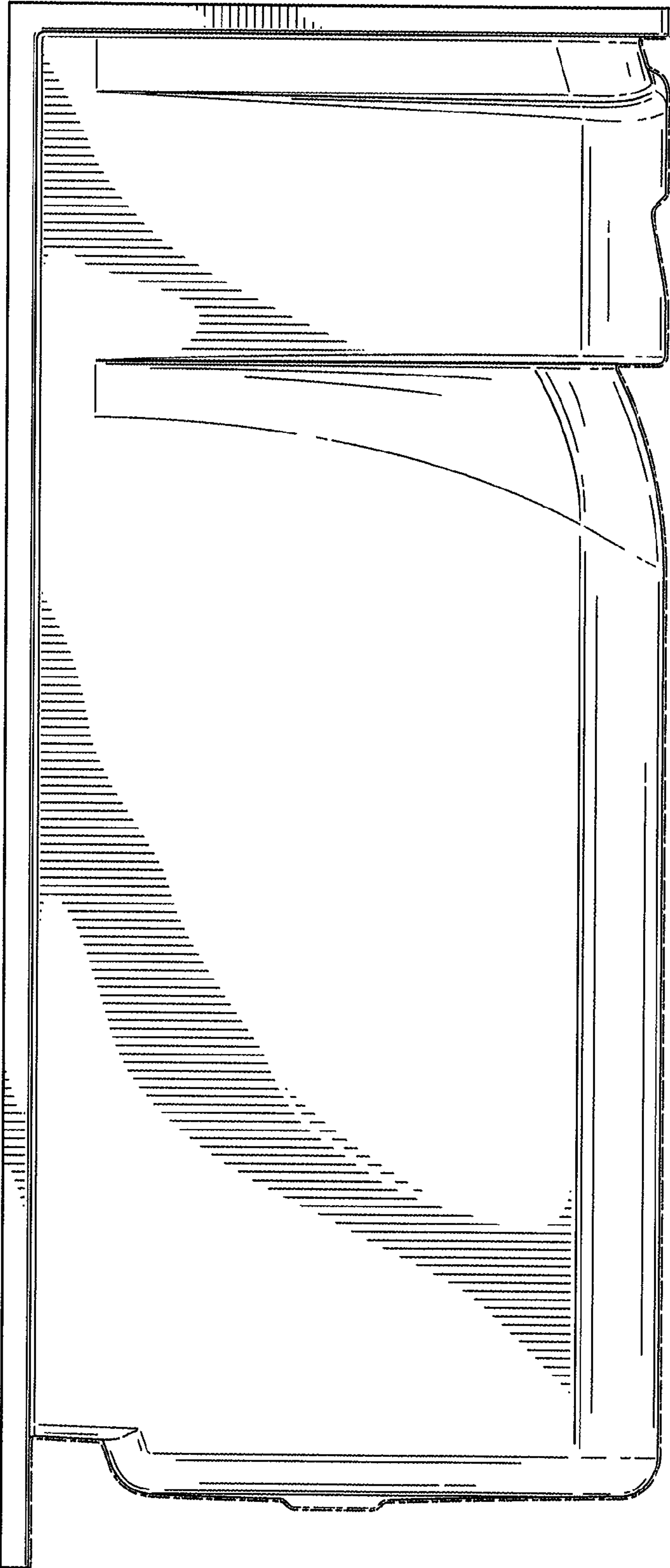


FIG. 3

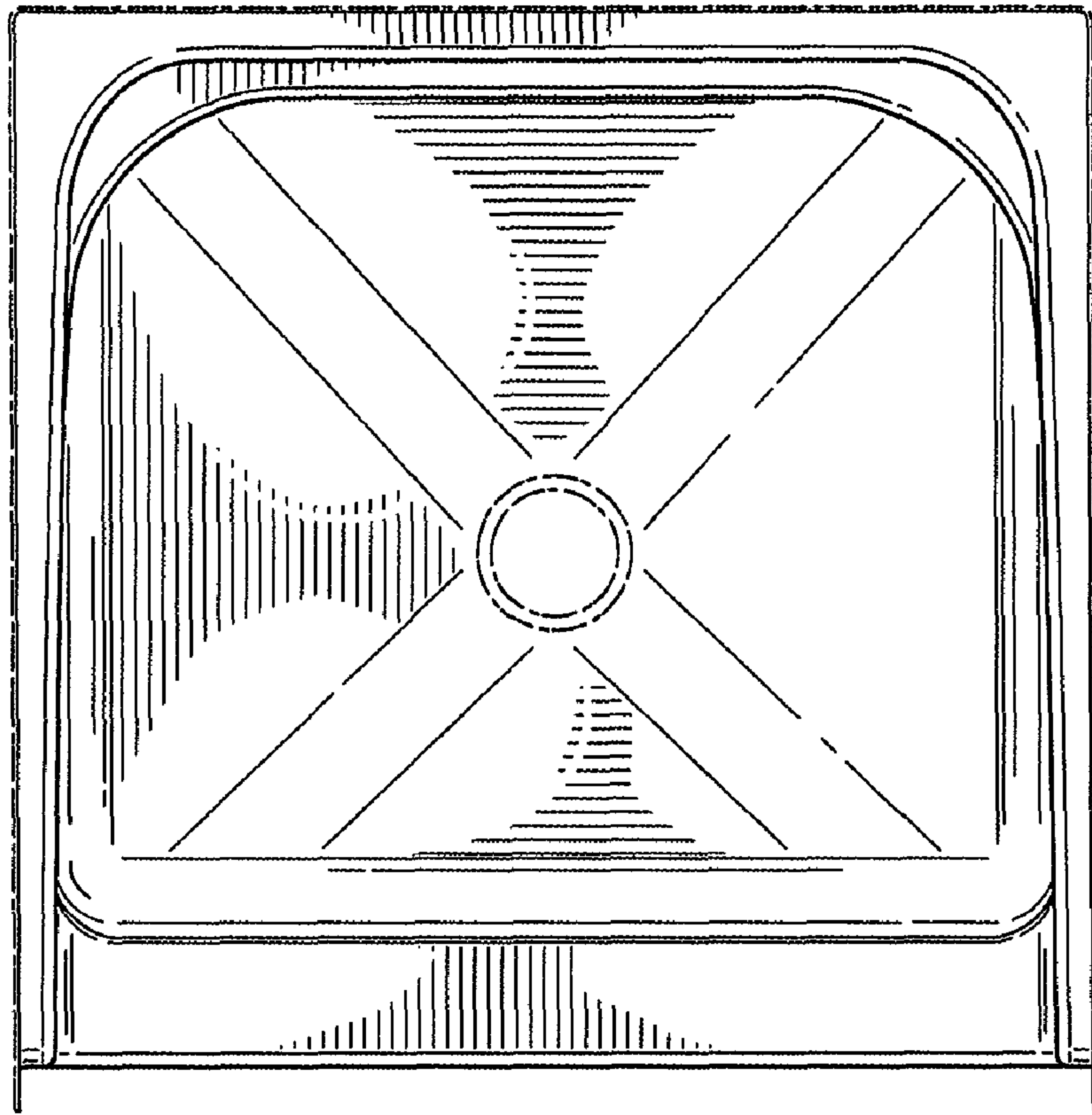


FIG. 4