



US00D629086S

(12) **United States Design Patent**  
**Hoernig et al.**

(10) **Patent No.:** **US D629,086 S**

(45) **Date of Patent:** **\*\* Dec. 14, 2010**

(54) **TUB ENCLOSURE**

D616,076 S \* 5/2010 Patterson et al. .... D23/283  
D618,772 S \* 6/2010 Hoernig et al. .... D23/283

(75) Inventors: **Victor Hoernig**, Lowell, IN (US); **Man Ki Yoo**, Skokie, IL (US); **Michael Reedy**, Chicago, IL (US)

\* cited by examiner

*Primary Examiner*—Robert A Delehanty

(73) Assignee: **Masco Bath Corporation**, Moorestown, NJ (US)

(74) *Attorney, Agent, or Firm*—Nirav D. Parikh; Edgar A. Zarins; Lora J. Graentzdoerffer

(\*\*) Term: **14 Years**

(57) **CLAIM**

(21) Appl. No.: **29/359,269**

The ornamental design for a tub enclosure, as shown and described.

(22) Filed: **Apr. 8, 2010**

**DESCRIPTION**

(51) **LOC (9) Cl.** ..... **23-02**

FIG. 1 is a front/right side perspective view of a tub enclosure showing our new design;

(52) **U.S. Cl.** ..... **D23/305**

FIG. 2 is a front elevational view thereof;

(58) **Field of Classification Search** ..... D23/279,  
D23/283, 275, 304–305; 4/552, 595  
See application file for complete search history.

FIG. 3 is a cross-sectional view taken along line 3—3 of FIG. 2 thereof;

(56) **References Cited**

FIG. 4 is a cross-sectional view taken along line 4—4 of FIG. 2 thereof; and,

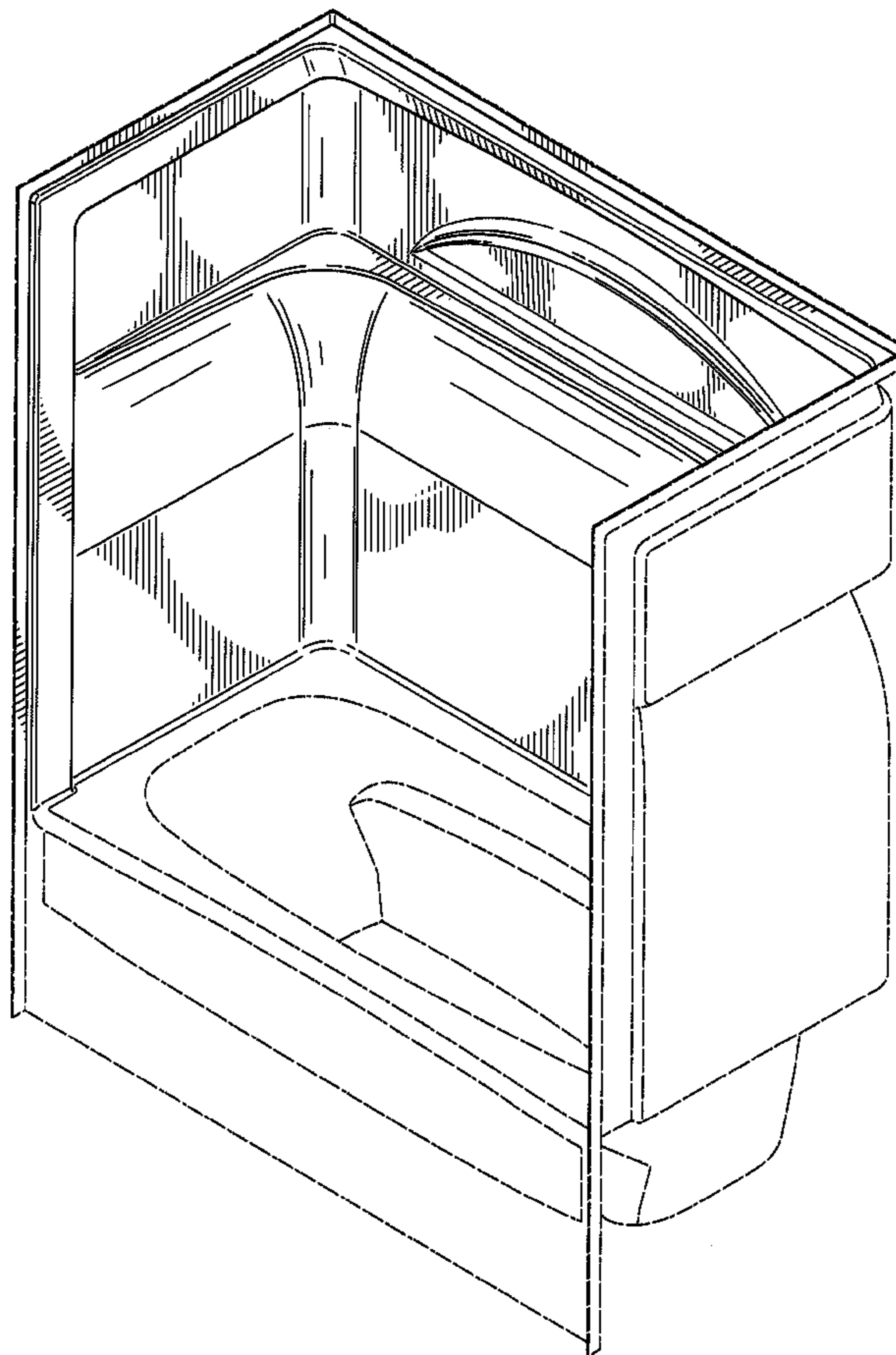
**U.S. PATENT DOCUMENTS**

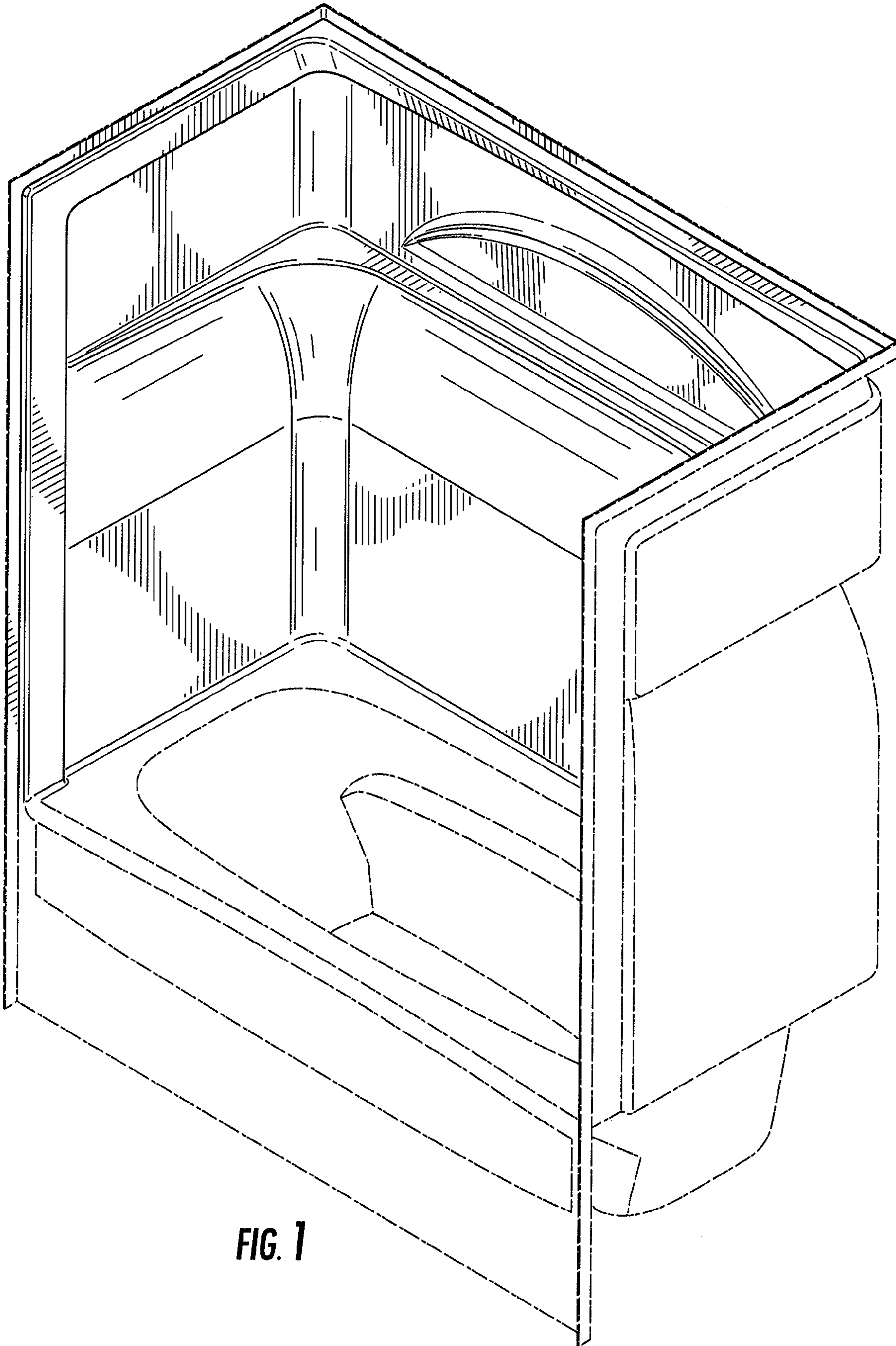
FIG. 5 is a top plan view thereof.

D221,760 S *	9/1971	van Skyhawk	.....	D23/305
D233,932 S *	12/1974	Seymour	.....	D23/275
D274,458 S *	6/1984	Doman	.....	D23/305
D345,783 S *	4/1994	Kohler, Jr.	.....	D23/275
D539,876 S *	4/2007	DeBoer et al.	.....	D23/275

The broken lines are for illustrative purposes only and form no part of the claimed design.

**1 Claim, 5 Drawing Sheets**





**FIG. 1**

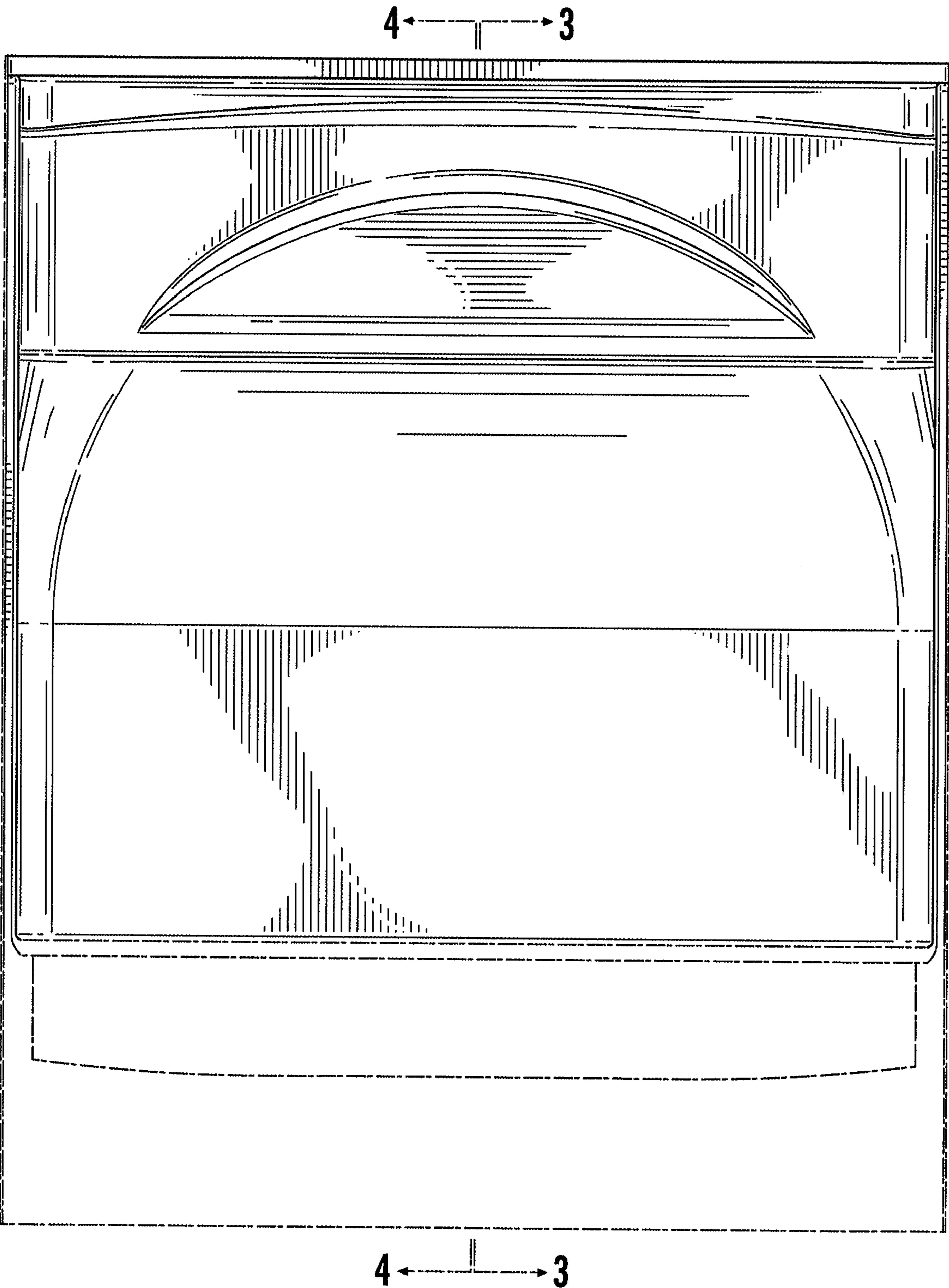
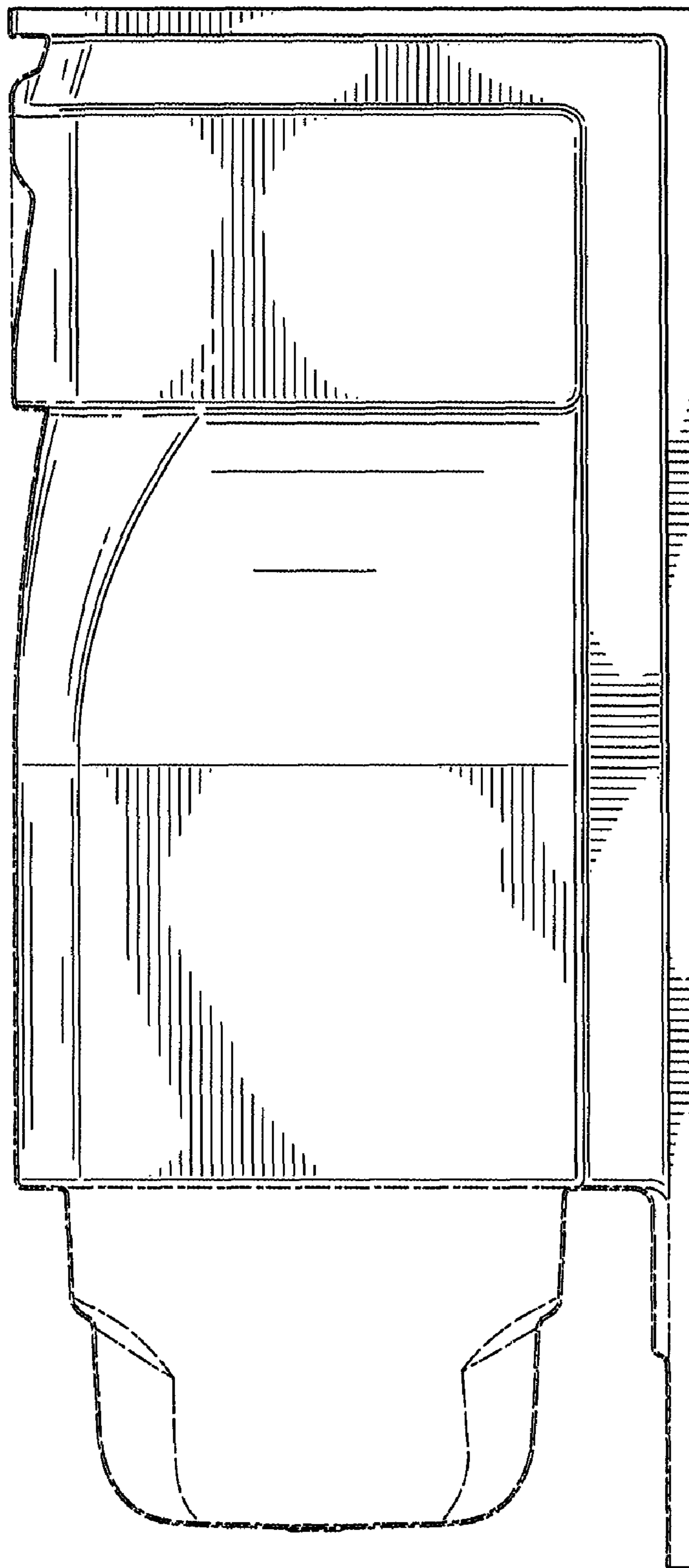
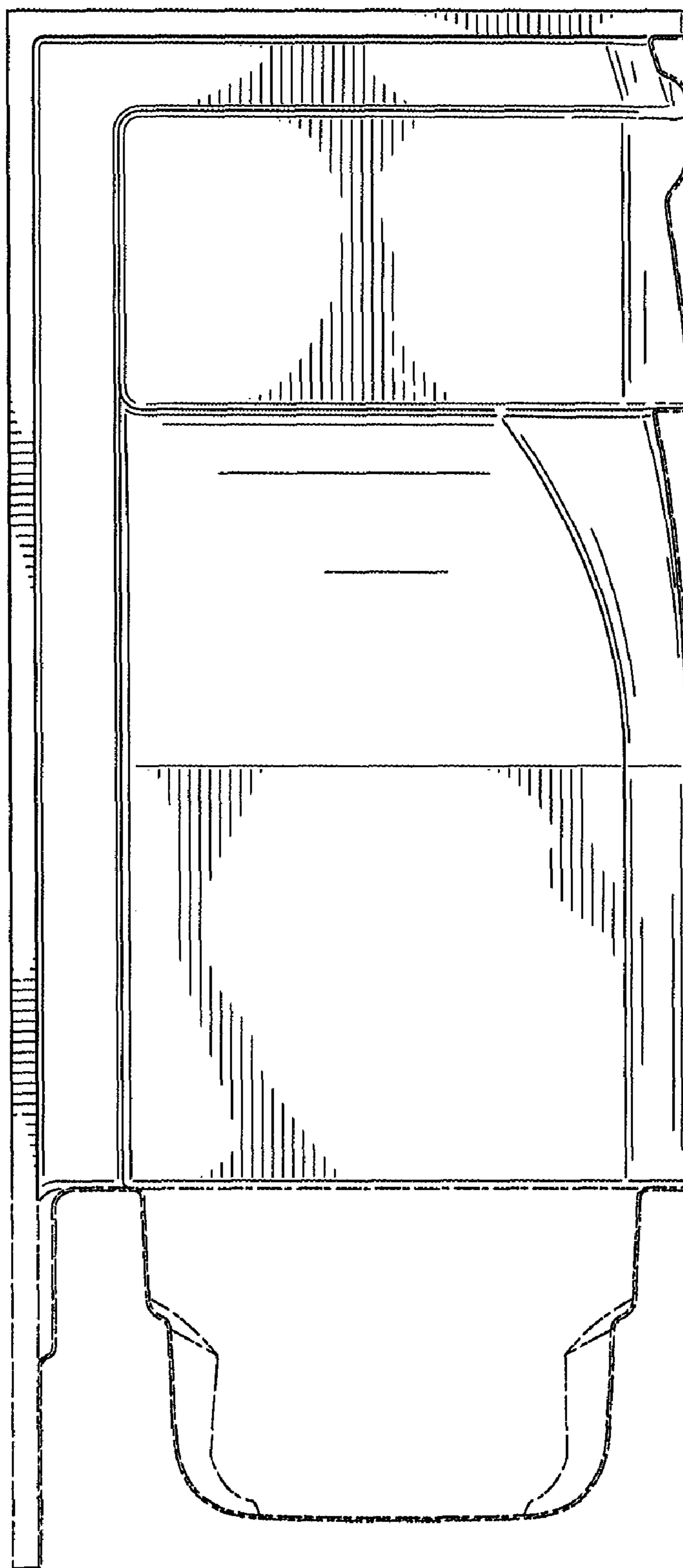


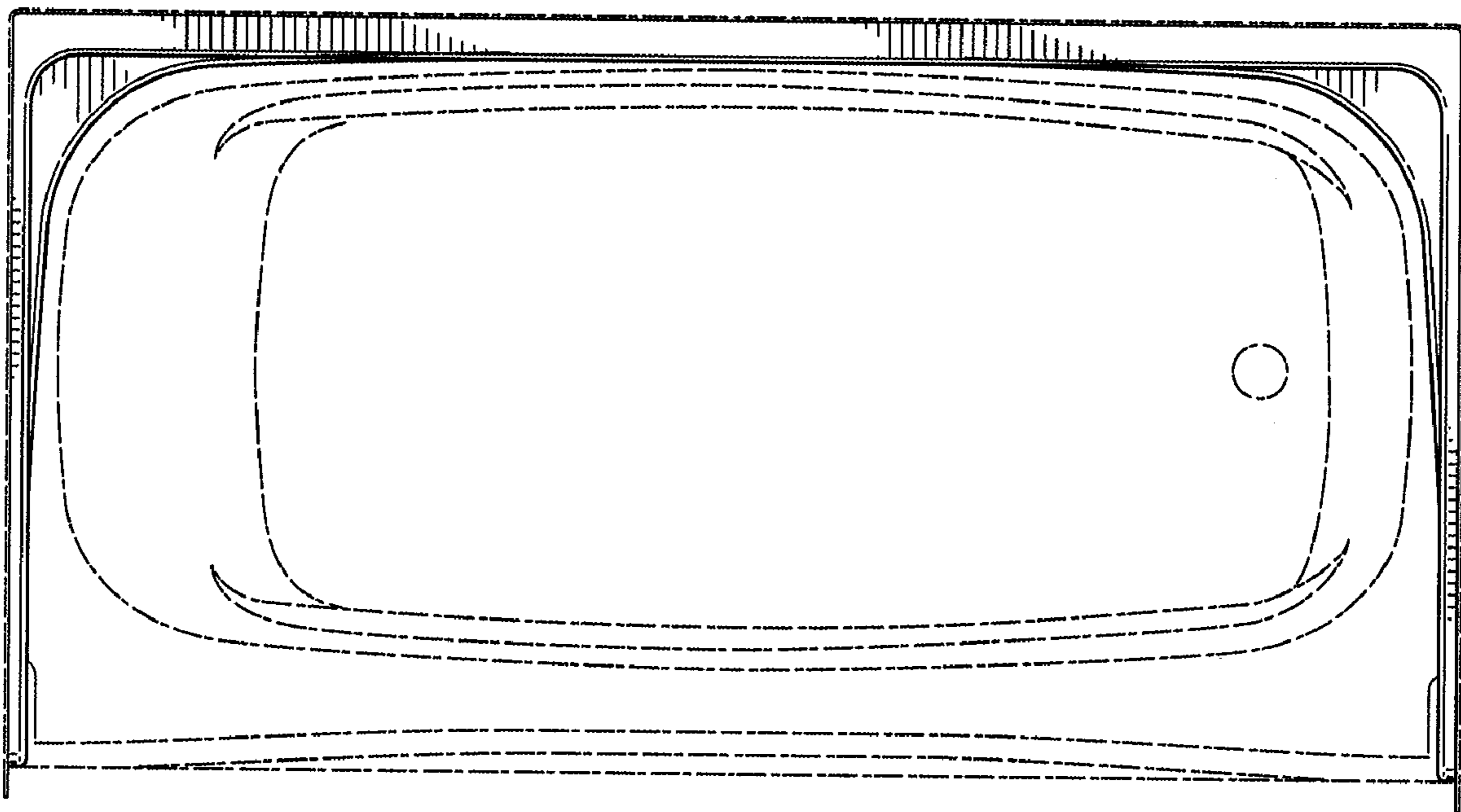
FIG. 2



**FIG. 3**



**FIG. 4**



**FIG. 5**