



US00D629085S

(12) **United States Design Patent**  
**Messier**

(10) **Patent No.:** **US D629,085 S**  
(45) **Date of Patent:** **\*\* Dec. 14, 2010**

(54) **BATHROOM FIXTURE**

(75) Inventor: **Patrick Messier**, Montreal (CA)  
(73) Assignee: **Manufacturier Wet Inc. / Wet Manufacturing Inc.**, Montreal, Quebec (CA)  
(\*\*) Term: **14 Years**  
(21) Appl. No.: **29/316,844**  
(22) Filed: **Nov. 6, 2009**

(30) **Foreign Application Priority Data**  
Jun. 25, 2009 (CA) ..... 131205  
(51) **LOC (9) Cl.** ..... **23-02**  
(52) **U.S. Cl.** ..... **D23/293.1**  
(58) **Field of Classification Search** ..... D23/284,  
D23/292, 308, 293.1; 4/619, 646  
See application file for complete search history.

(56) **References Cited**  
U.S. PATENT DOCUMENTS  
D360,934 S \* 8/1995 Bertoli ..... D23/292  
D487,501 S \* 3/2004 Ruxchaivan ..... D23/293.1  
D506,814 S \* 6/2005 Alger ..... D23/293.1  
D544,074 S \* 6/2007 Douglass et al. .... D23/284  
D598,993 S \* 8/2009 Kakihana et al. .... D23/293.1

\* cited by examiner  
*Primary Examiner*—Robert A Delehanty  
(74) *Attorney, Agent, or Firm*—Hodgson Russ LLP

(57) **CLAIM**

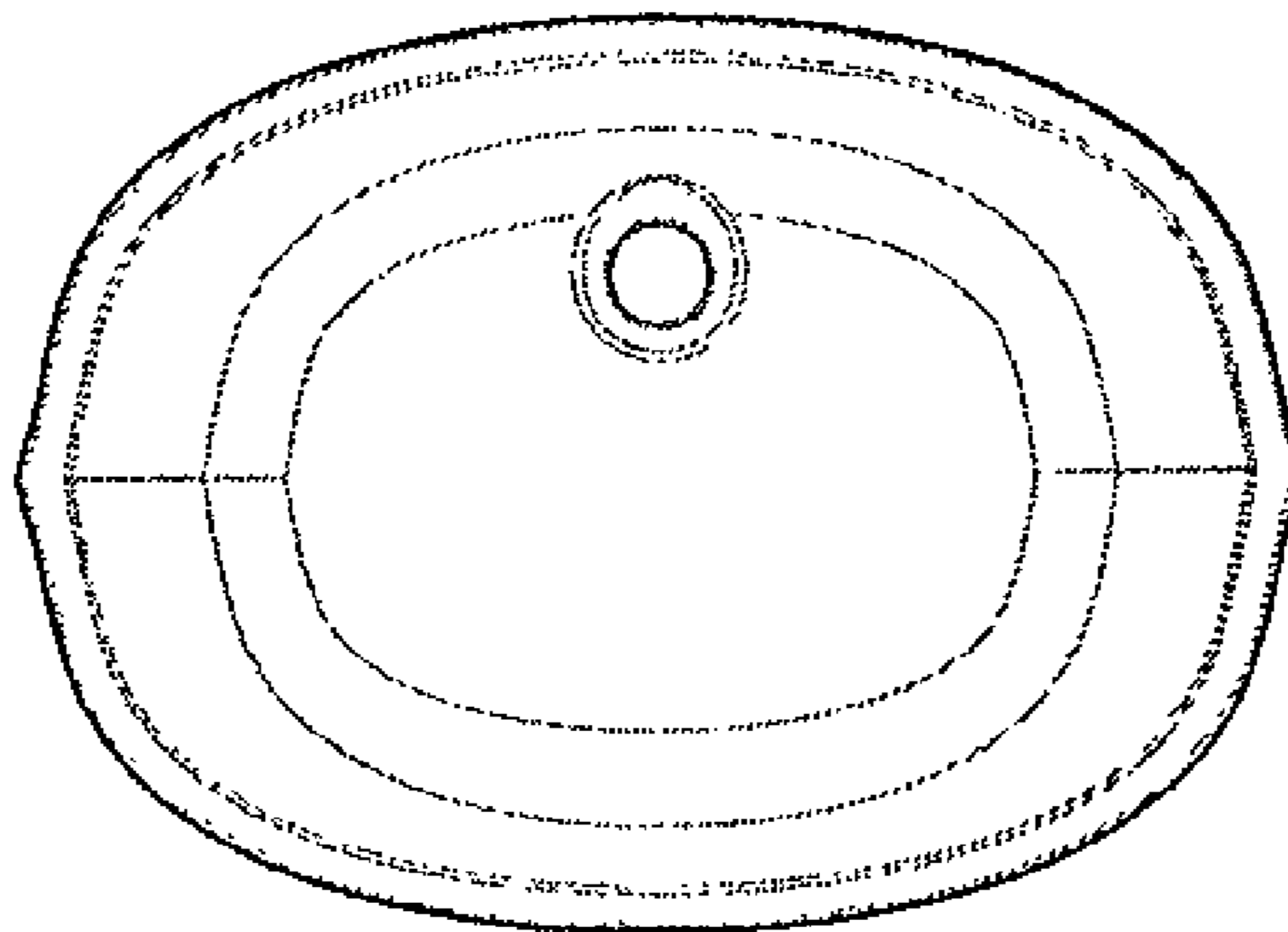
The ornamental design for a bathroom fixture, as shown and described.

**DESCRIPTION**

FIG. 1 is a top plan view of a bathroom fixture of the claimed design, a sink;  
FIG. 2 is a left side elevational view of the sink of FIG. 1;  
FIG. 3 is a front elevational view of the sink of FIG. 1, the rear elevational view being a mirror image thereof;  
FIG. 4 is a right side elevational view of the sink of FIG. 1;

FIG. 5 is a perspective view of the sink of FIG. 1, shown above and to the left of center;  
FIG. 6 is a perspective view of the sink of FIG. 1, shown center and showing the front and top;  
FIG. 7 is top plan view of a bathroom fixture of the claimed design, a sink, that is a variant of the sink of FIG. 1, having a drain at the center;  
FIG. 8 is a left side elevational view of the sink of FIG. 7;  
FIG. 9 is a front elevational view of the sink of FIG. 7, the rear elevational view being a mirror image thereof;  
FIG. 10 is a right side elevational view of the sink of FIG. 7;  
FIG. 11 is a perspective view of the sink of FIG. 7, shown above and to the left of center;  
FIG. 12 is a perspective view of the sink of FIG. 7, shown above and center;  
FIG. 13 is a top plan view of a bathroom fixture of the claimed design, a sink that is a further variant of the sink of FIG. 1, having a more elongated shape;  
FIG. 14 is a left side elevational view of the sink of FIG. 13;  
FIG. 15 is a front elevational view of the sink of FIG. 13, with the rear elevational view being a mirror image thereof;  
FIG. 16 is a right side elevational view of the sink of FIG. 13;  
FIG. 17 is a perspective view of the sink of FIG. 13, shown above and to the left of center;  
FIG. 18 is a perspective view of the sink of FIG. 13, shown above and center;  
FIG. 19 is a top plan view of a bathroom fixture of the claimed design, a sink that is a further variant of the sink of FIG. 13, having a drain at the center;  
FIG. 20 is a left side elevational view of the sink of FIG. 18;  
FIG. 21 is a front elevational view of the sink of FIG. 18, the rear elevational view being a mirror image thereof;  
FIG. 22 is a right side elevational view of the sink of FIG. 18;  
FIG. 23 is a perspective view of the sink of FIG. 18, shown above and to the left of center; and,  
FIG. 24 is a perspective view of the sink of FIG. 18, shown above and center.

**1 Claim, 8 Drawing Sheets**



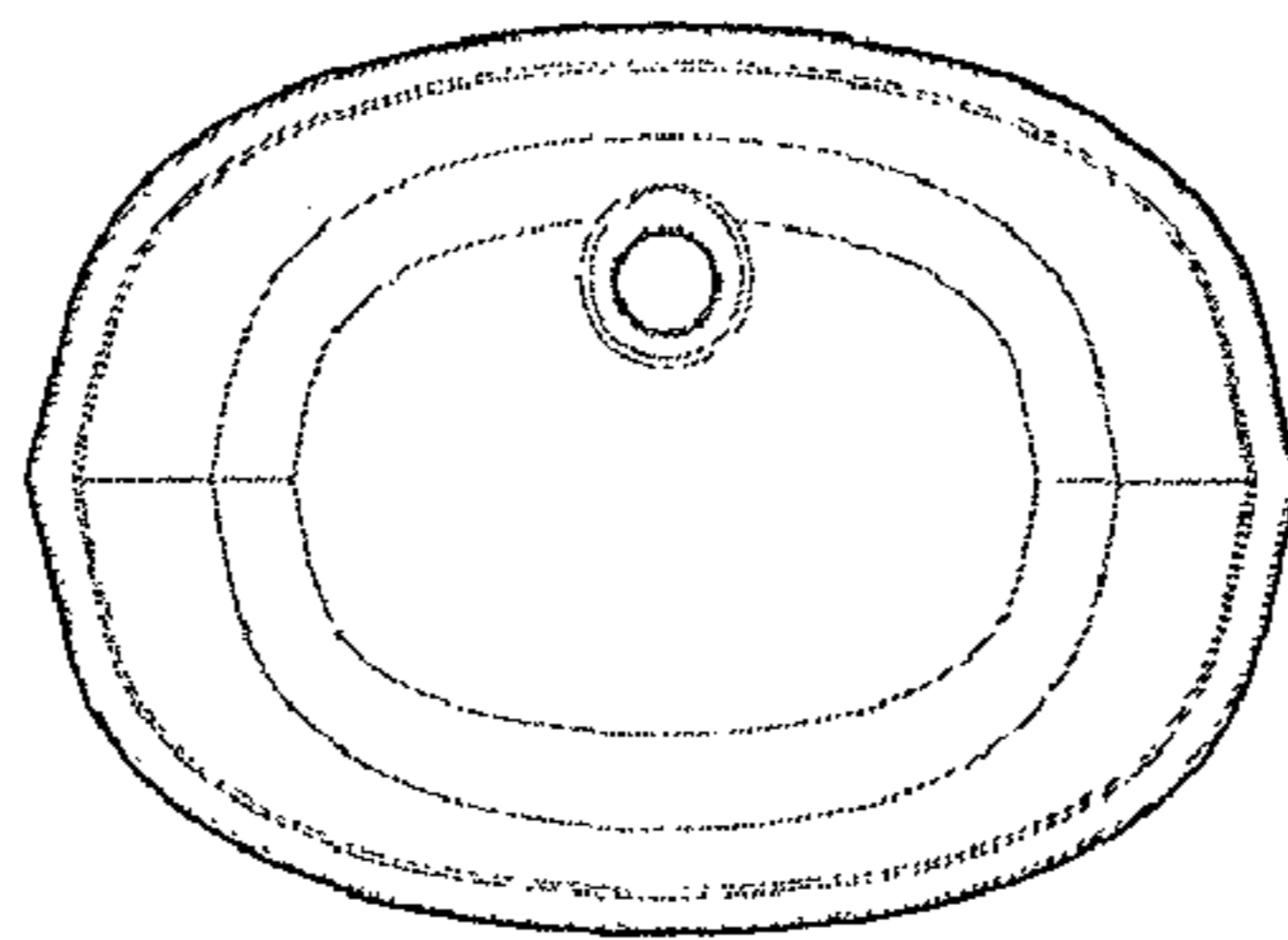


FIG. 1

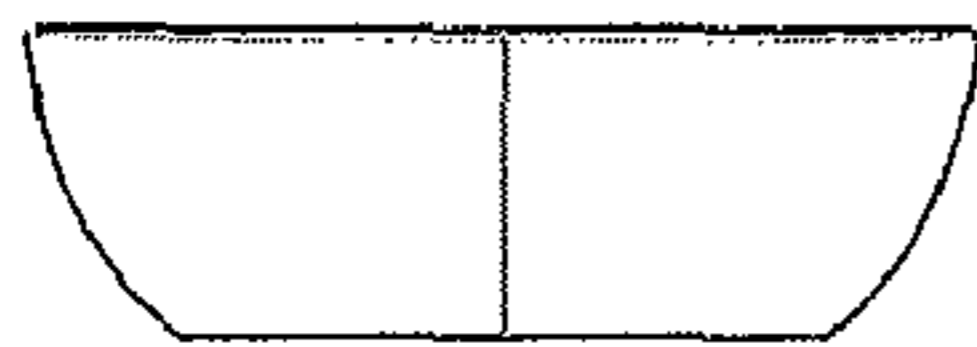


FIG. 2

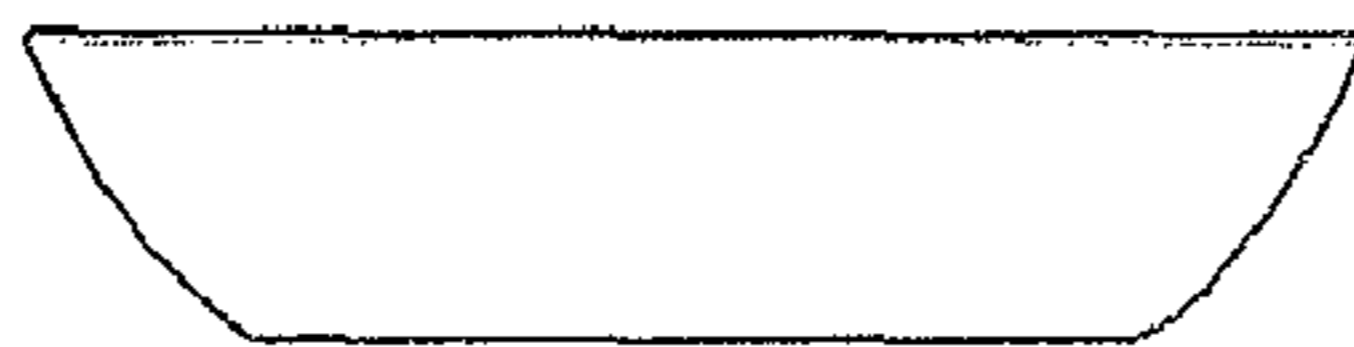


FIG. 3



FIG. 4

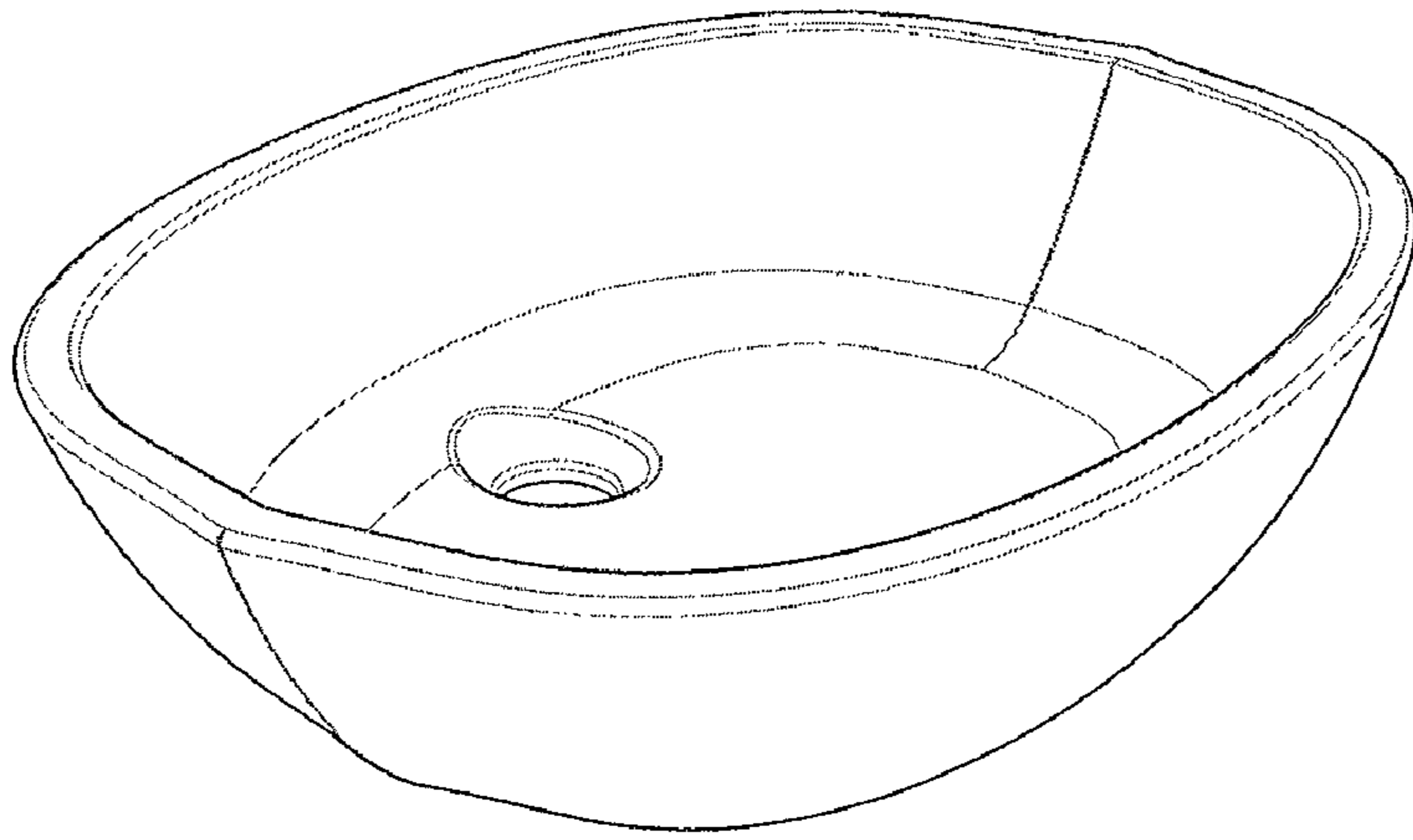


FIG. 5

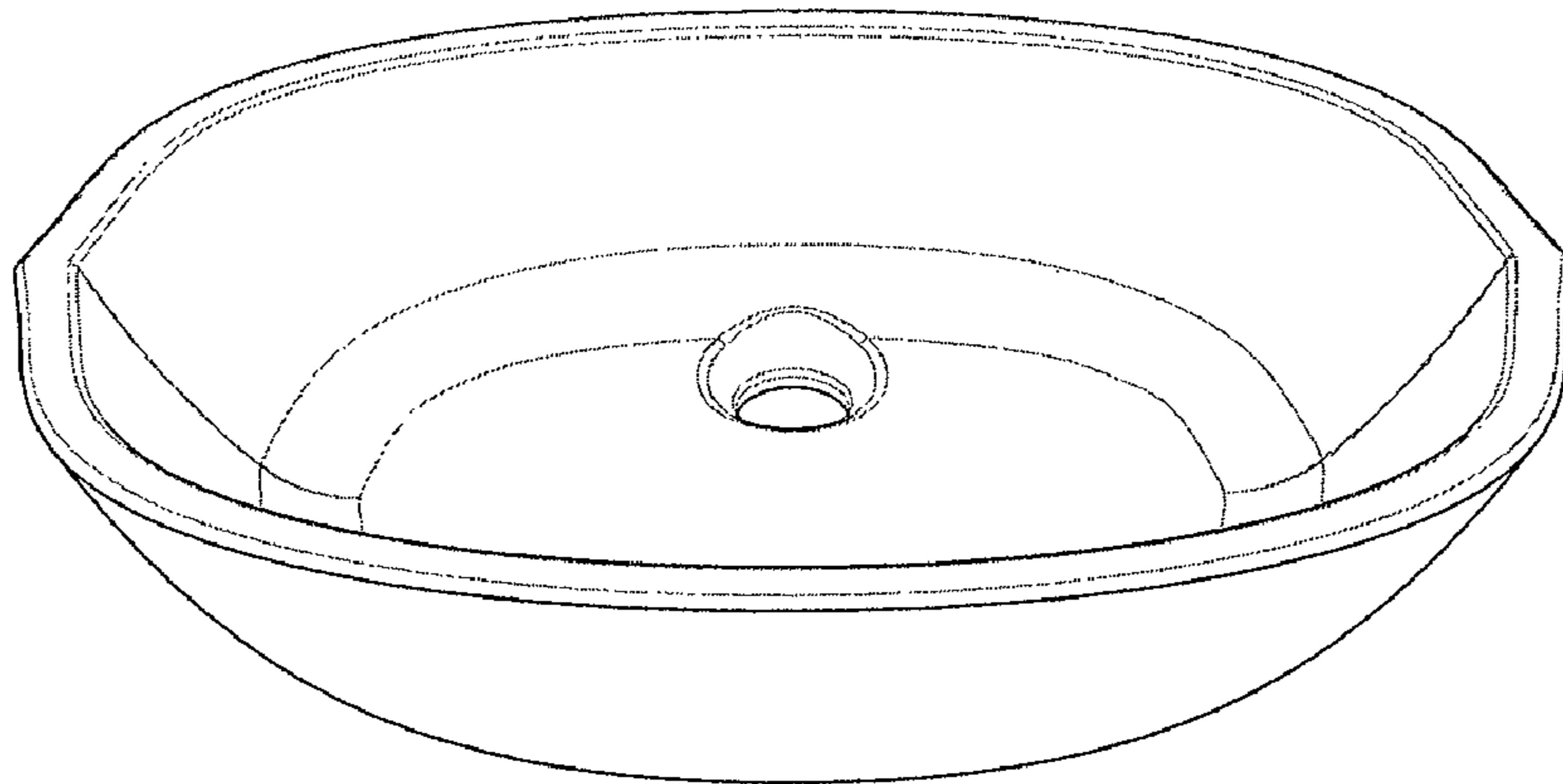


FIG. 6

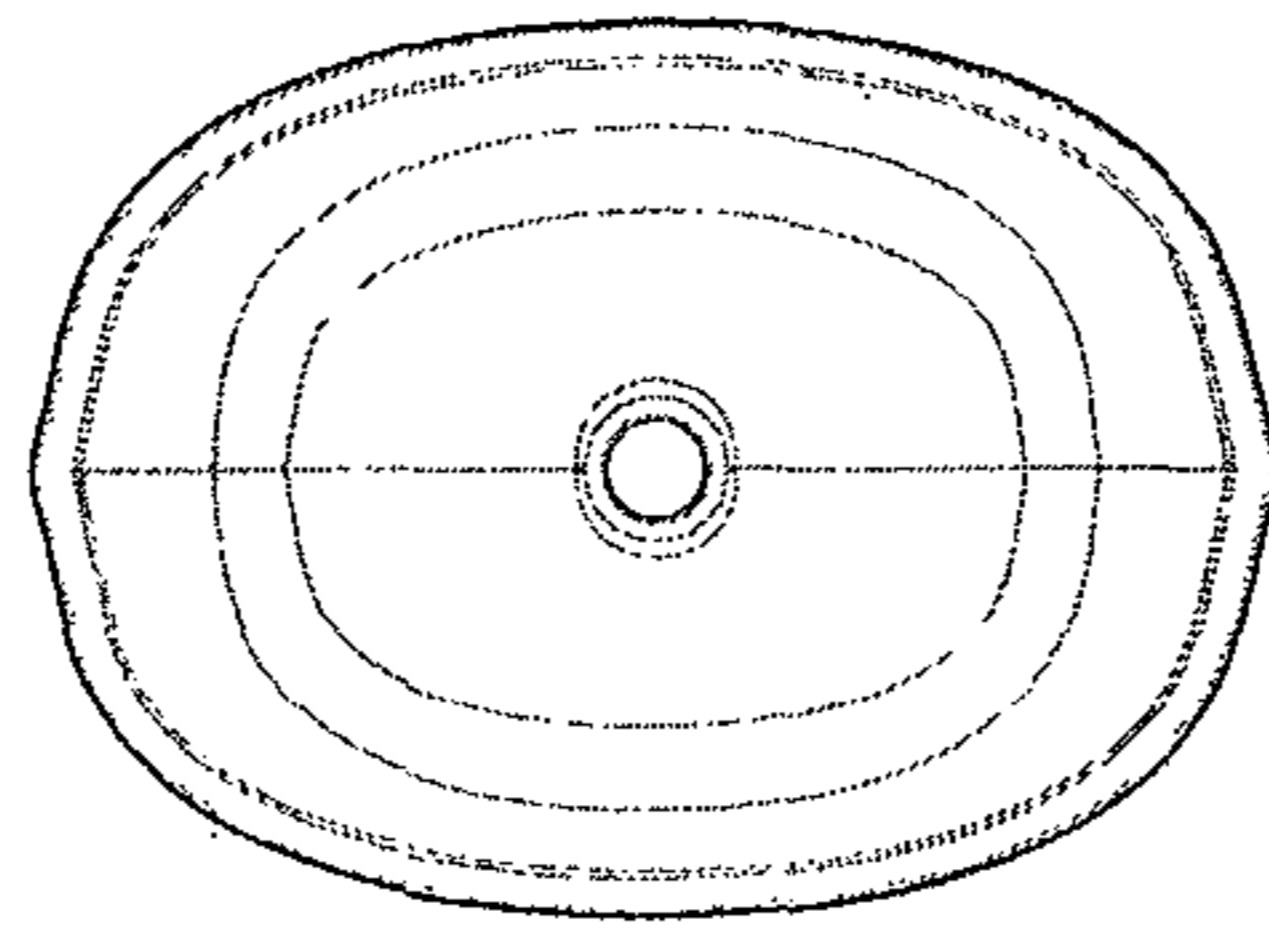


FIG. 7



FIG. 8



FIG. 9



FIG. 10

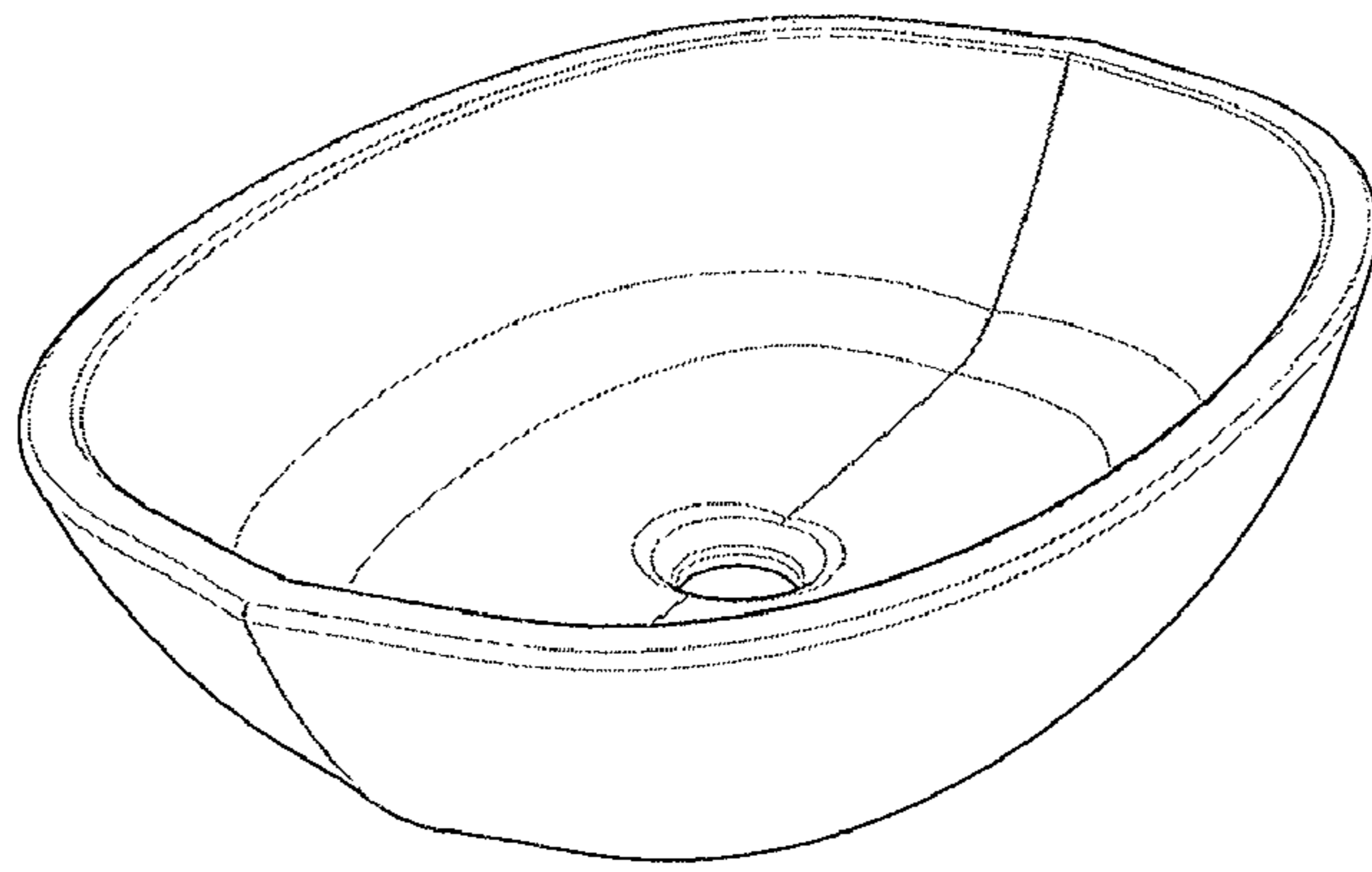


FIG. 11

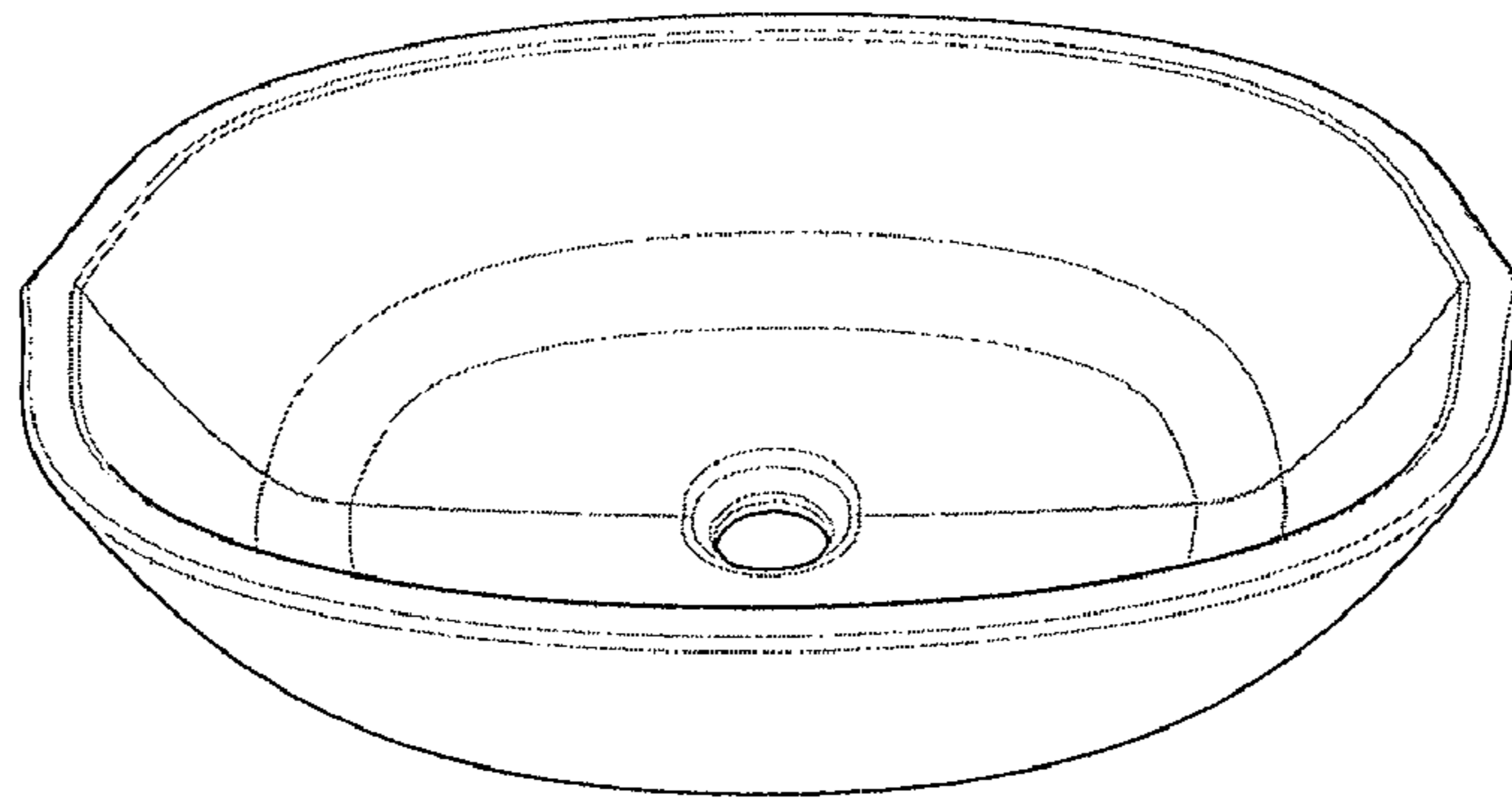


FIG. 12

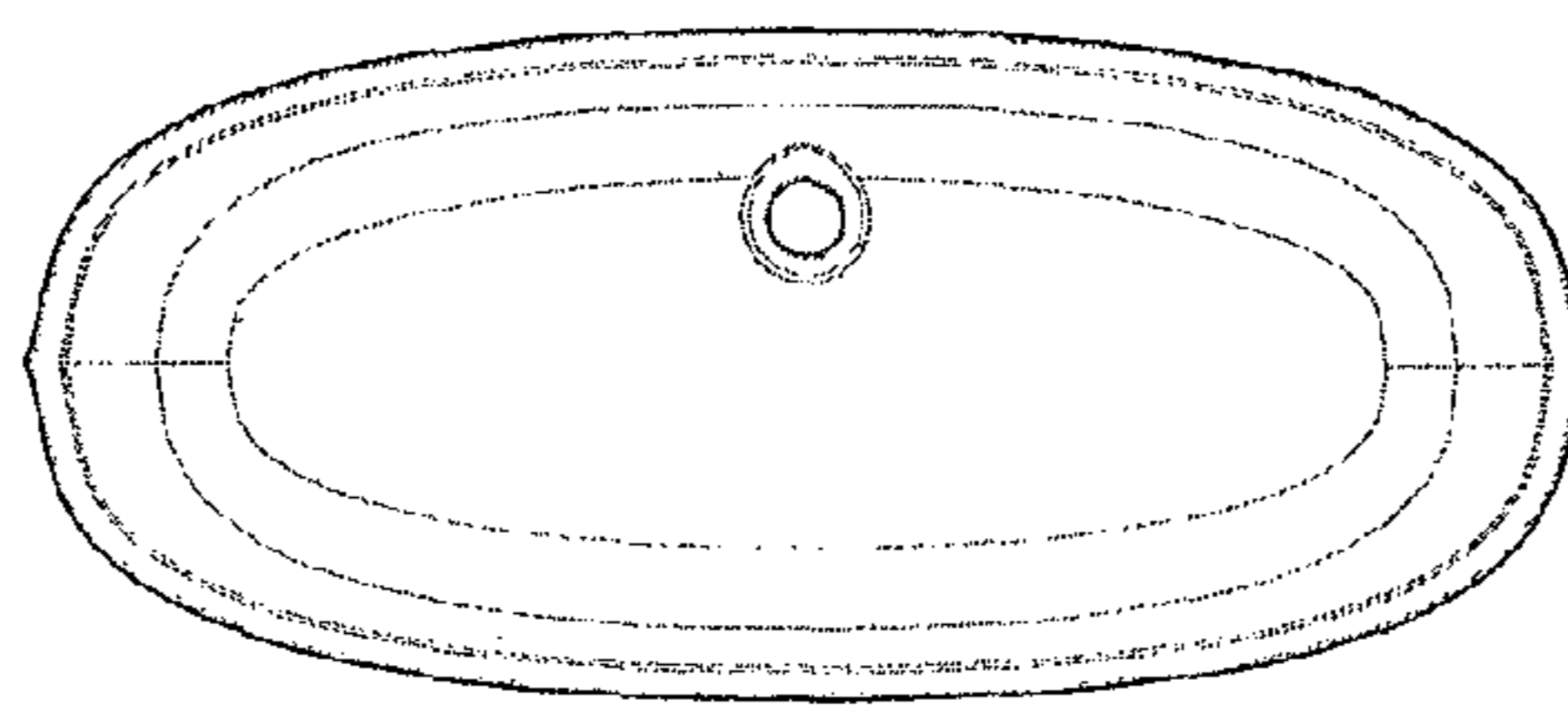


FIG. 13



FIG. 14

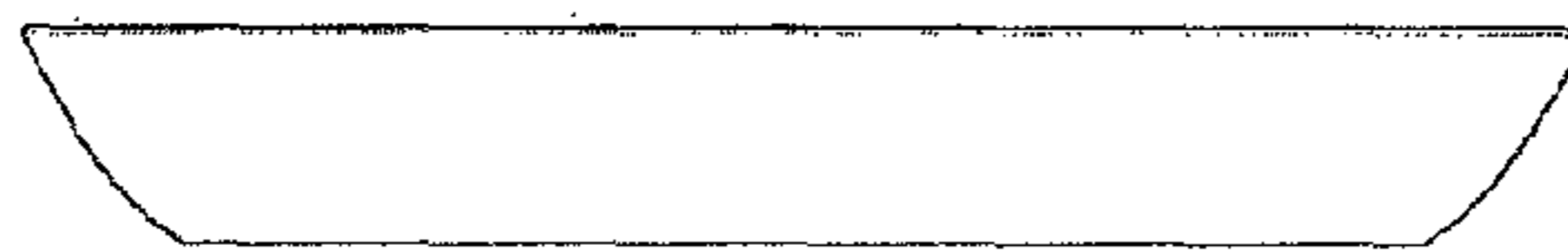


FIG. 15



FIG. 16



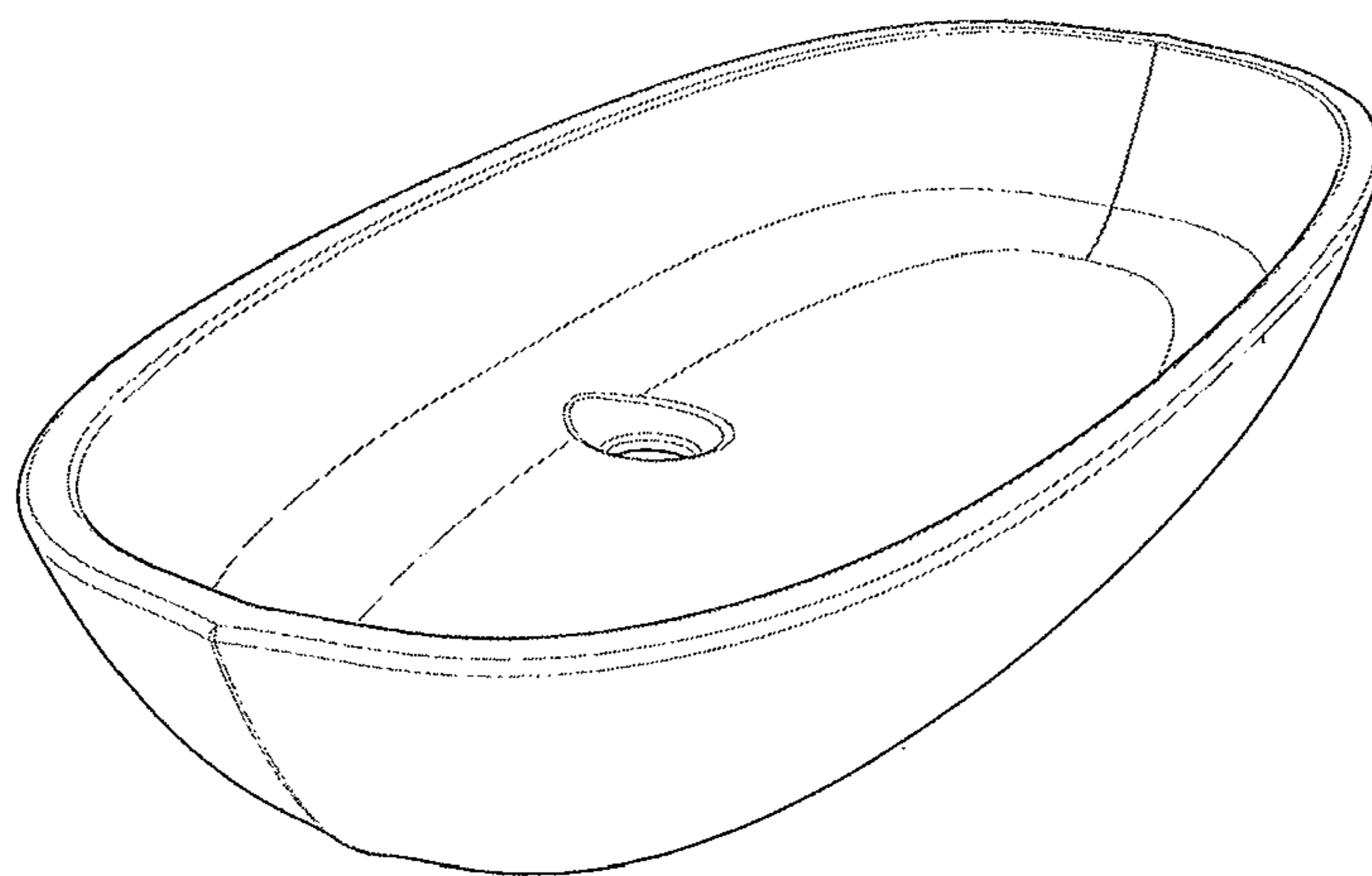


FIG. 17

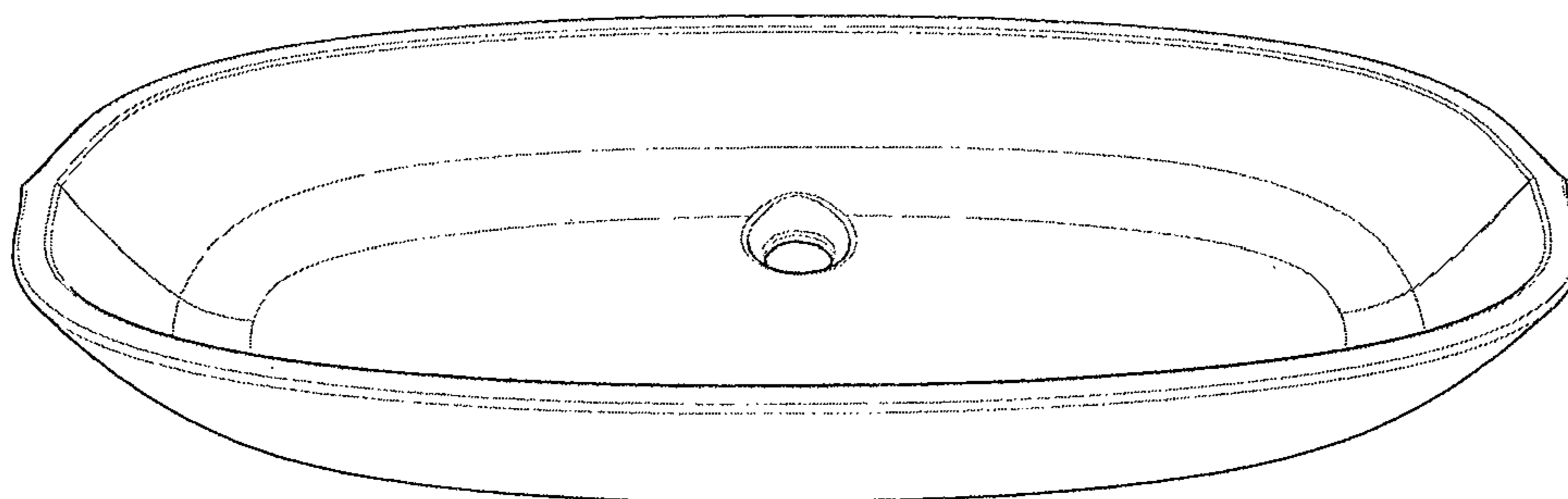


FIG. 18

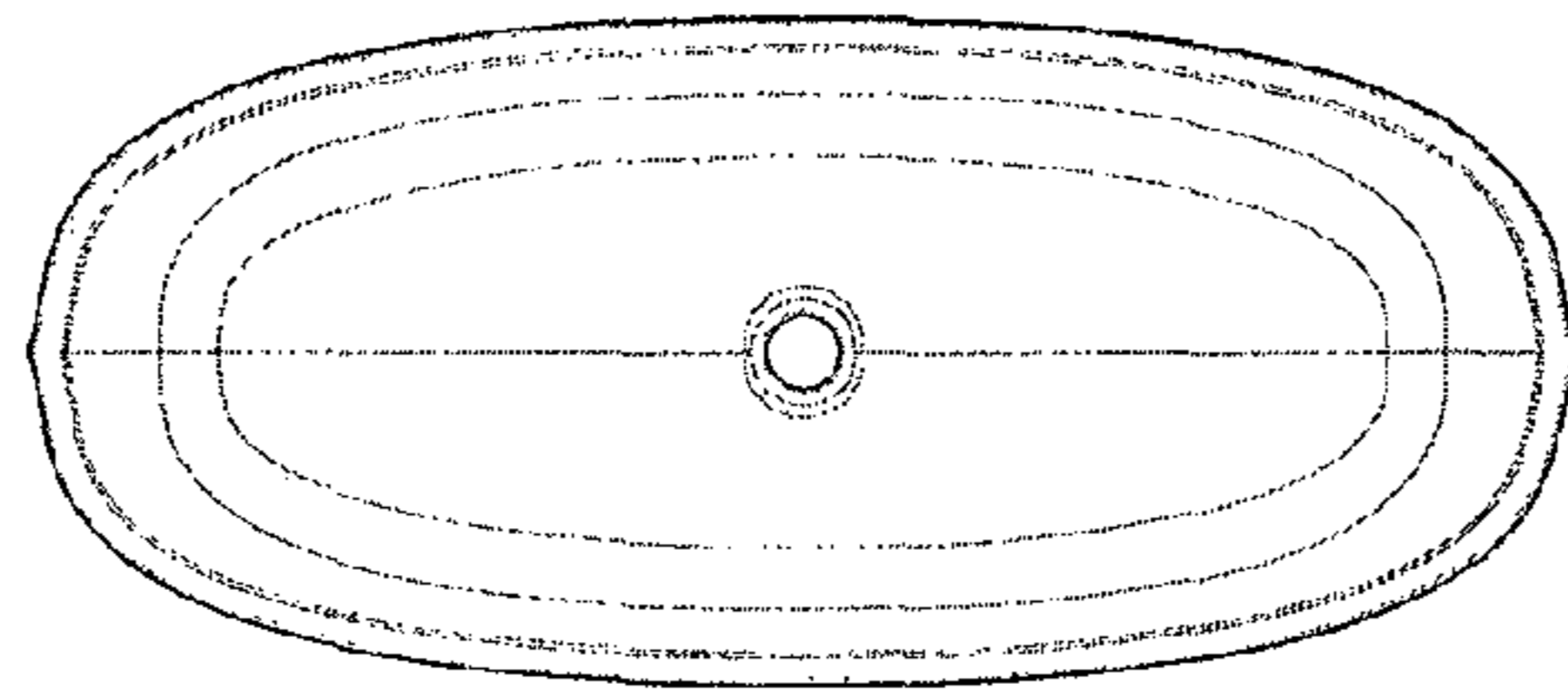


FIG. 19



FIG. 20

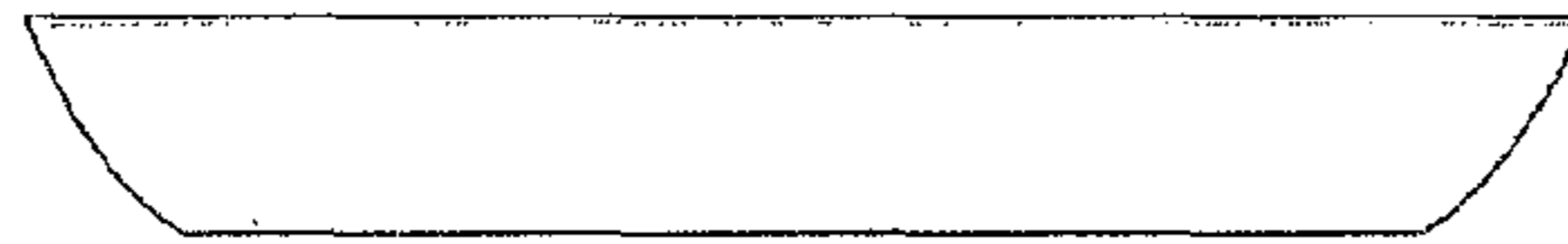


FIG. 21

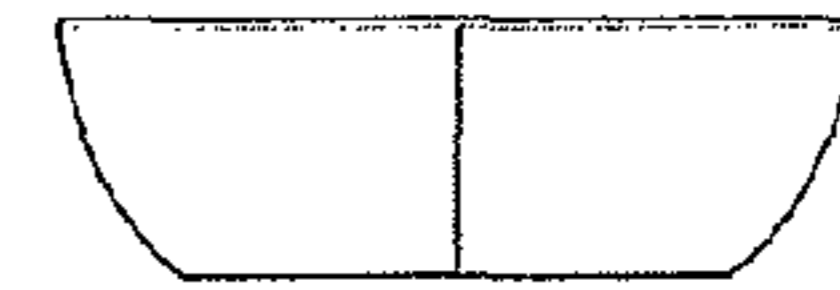


FIG. 22



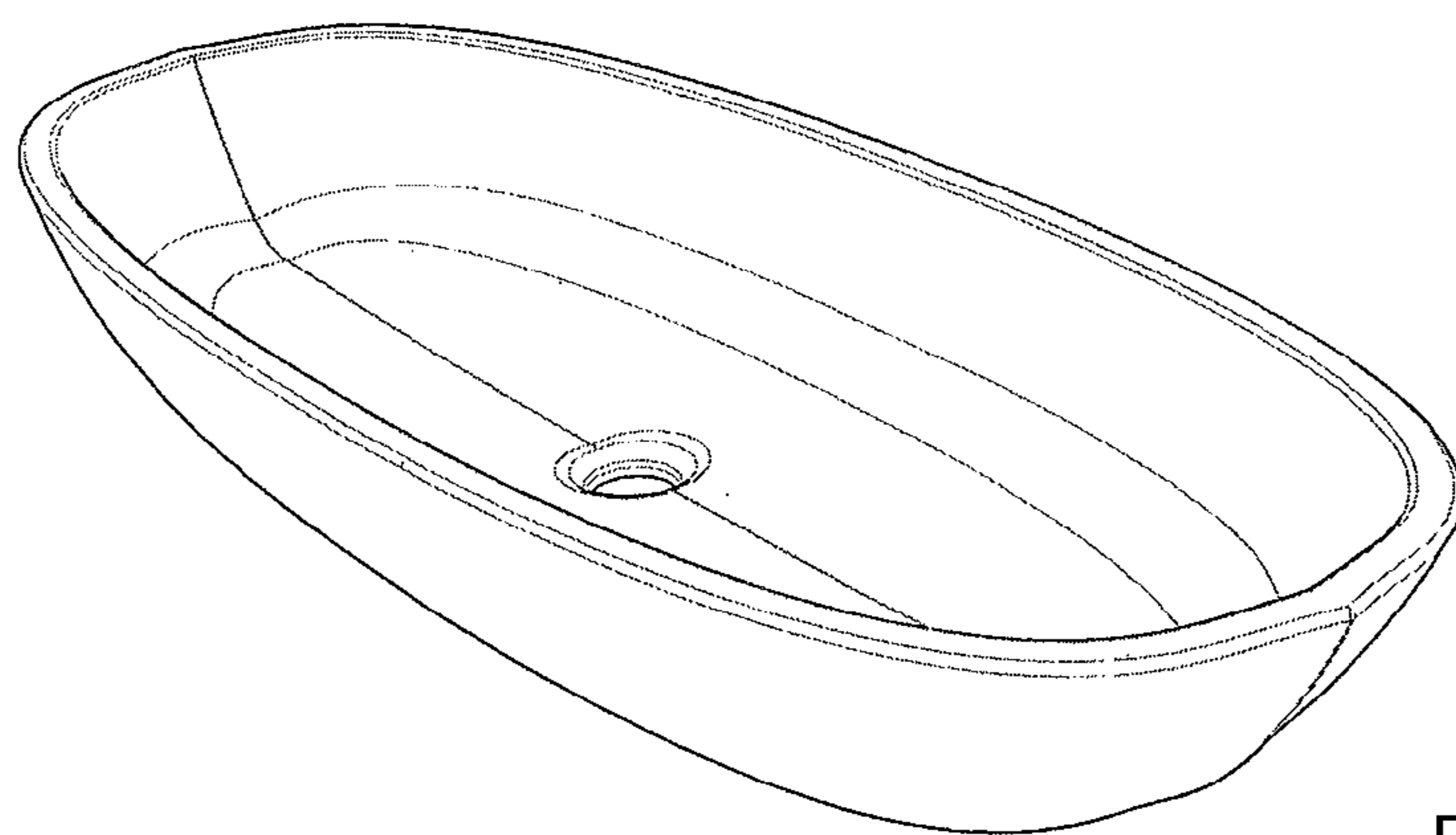


FIG. 23

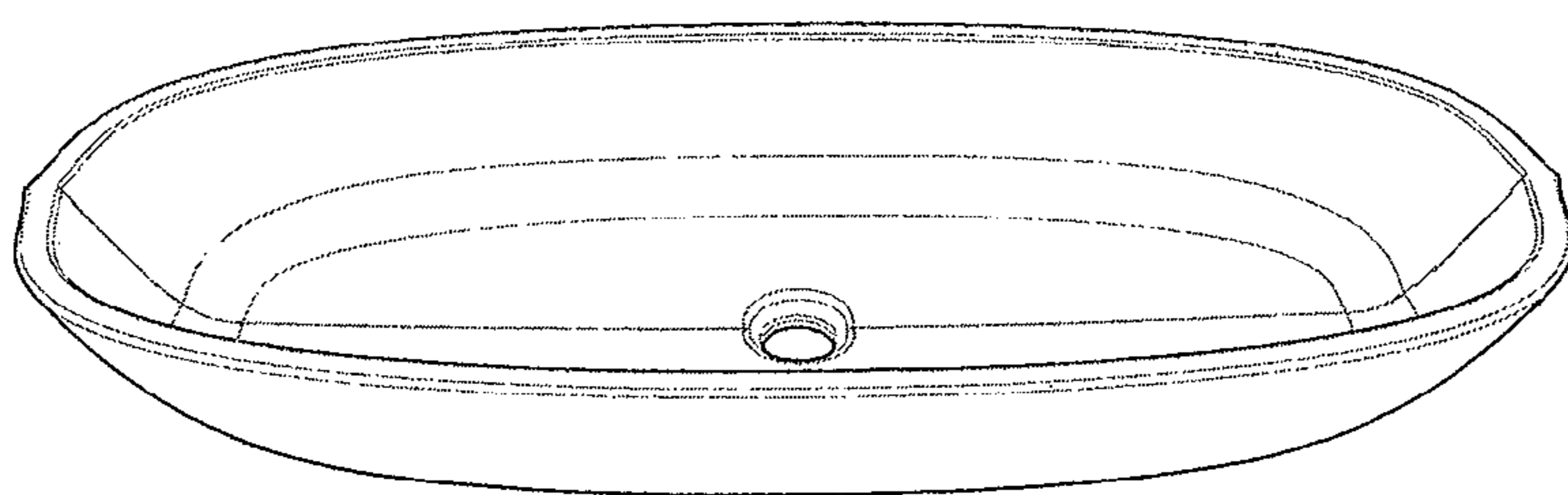


FIG. 24