



US00D629081S

(12) **United States Design Patent**
Dole et al.

(10) **Patent No.:** **US D629,081 S**

(45) **Date of Patent:** **** Dec. 14, 2010**

(54) **PIPE COUPLING SEGMENT**

(75) Inventors: **Douglas R. Dole**, Whitehouse Station,
NJ (US); **Alan M. Yesavage**,
Lenhartsville, PA (US)

(73) Assignee: **Victaulic Company**, Easton, PA (US)

(**) Term: **14 Years**

(21) Appl. No.: **29/363,555**

(22) Filed: **Jun. 11, 2010**

(51) **LOC (9) Cl.** **23-01**

(52) **U.S. Cl.** **D23/262**

(58) **Field of Classification Search** D23/259–262;
239/428.5; 261/DIG. 22; D8/396; 285/1,
285/112, 179, 340, 367, 373, 404, 53, 915;
403/291, 300; 411/5, 10; 137/801

See application file for complete search history.

(56) **References Cited**

U.S. PATENT DOCUMENTS

1,851,574	A *	3/1932	Fiederlein	285/332
1,905,324	A *	4/1933	Waters	285/104
D142,057	S *	8/1945	Baxter	D23/265
2,752,173	A *	6/1956	Krooss	285/232
4,408,788	A *	10/1983	Beukema	285/419
6,626,466	B1 *	9/2003	Dole	285/112
7,090,259	B2 *	8/2006	Dole	285/367
7,401,819	B2 *	7/2008	Gibb et al.	285/373

7,591,055	B2 *	9/2009	Gibb et al.	29/282
D616,967	S *	6/2010	Madara et al.	D23/262
D616,968	S *	6/2010	Bowman et al.	D23/262
D618,313	S *	6/2010	Madara et al.	D23/262
D618,315	S *	6/2010	Bowman et al.	D23/262
2008/0048444	A1 *	2/2008	Porter et al.	285/367

* cited by examiner

Primary Examiner—T. Chase Nelson

Assistant Examiner—Eric L Goodman

(74) *Attorney, Agent, or Firm*—Ballard Spahr LLP

(57) **CLAIM**

We claim the ornamental design for a pipe coupling segment,
as shown and described.

DESCRIPTION

FIG. 1 is an isometric view of our design for a pipe coupling segment;

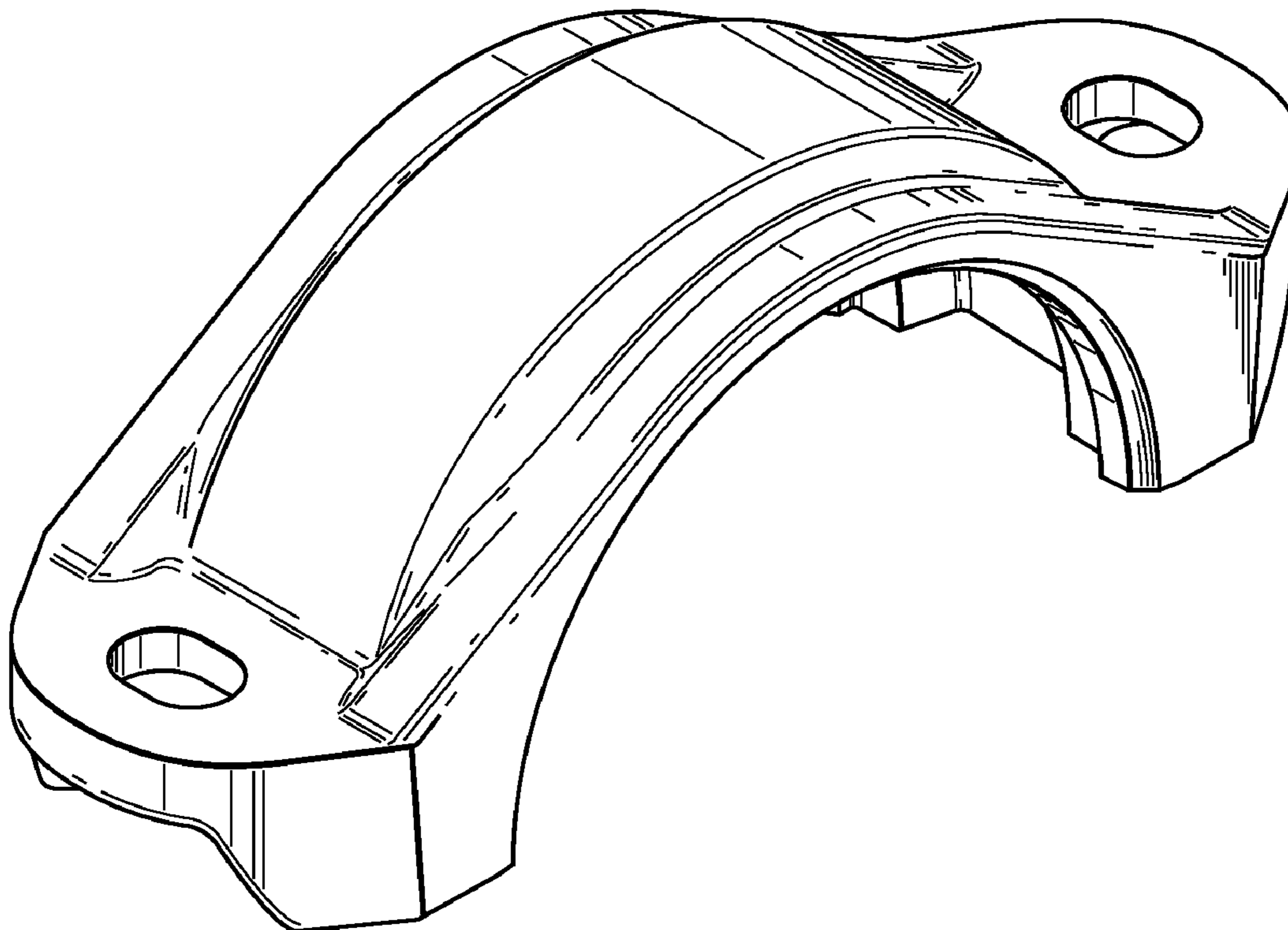
FIG. 2 is a front view of the design for a pipe coupling segment shown in FIG. 1, the rear view being identical;

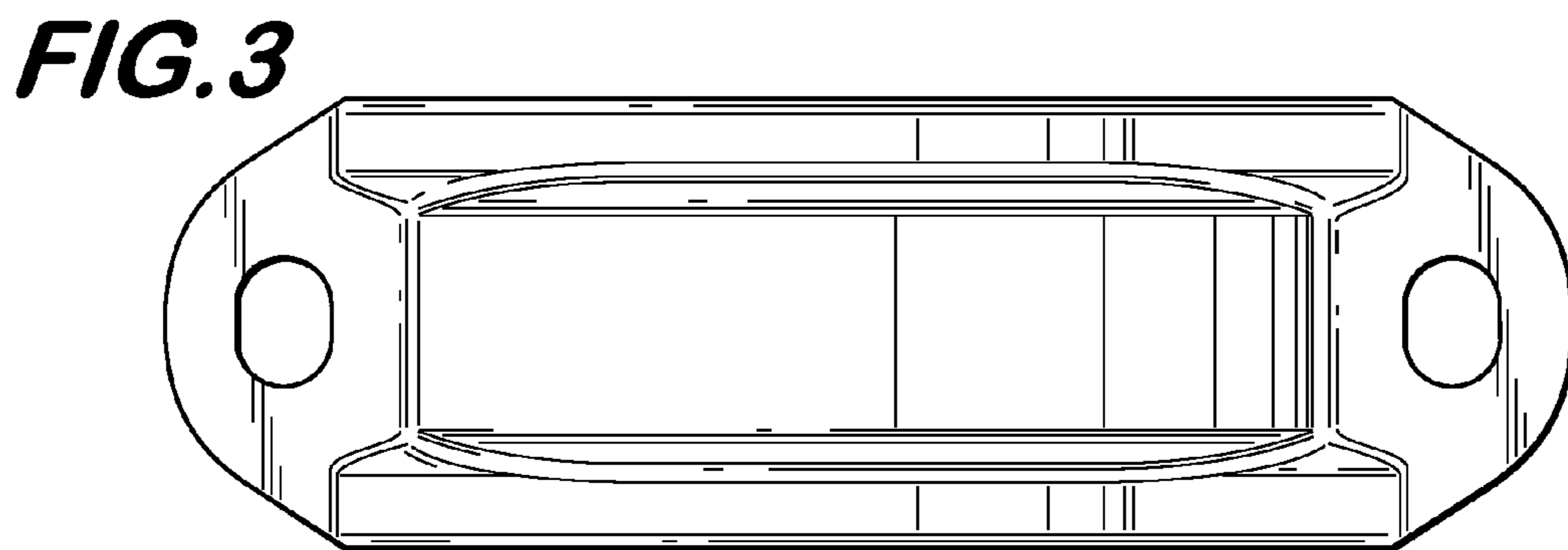
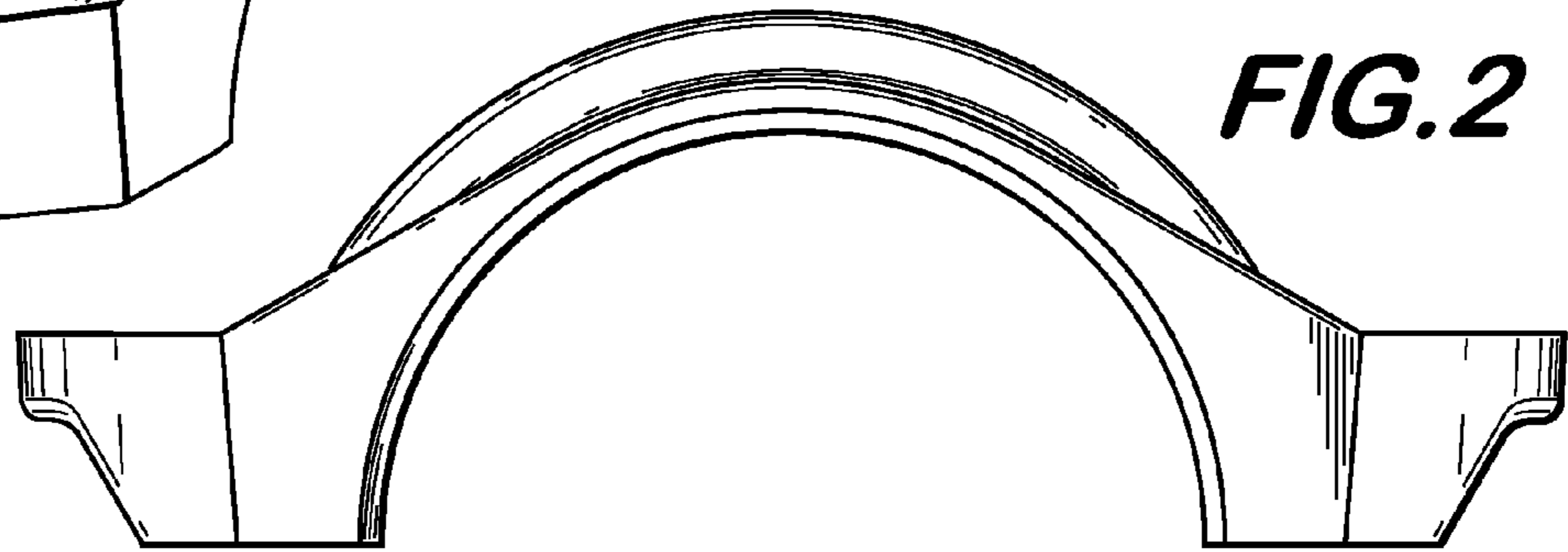
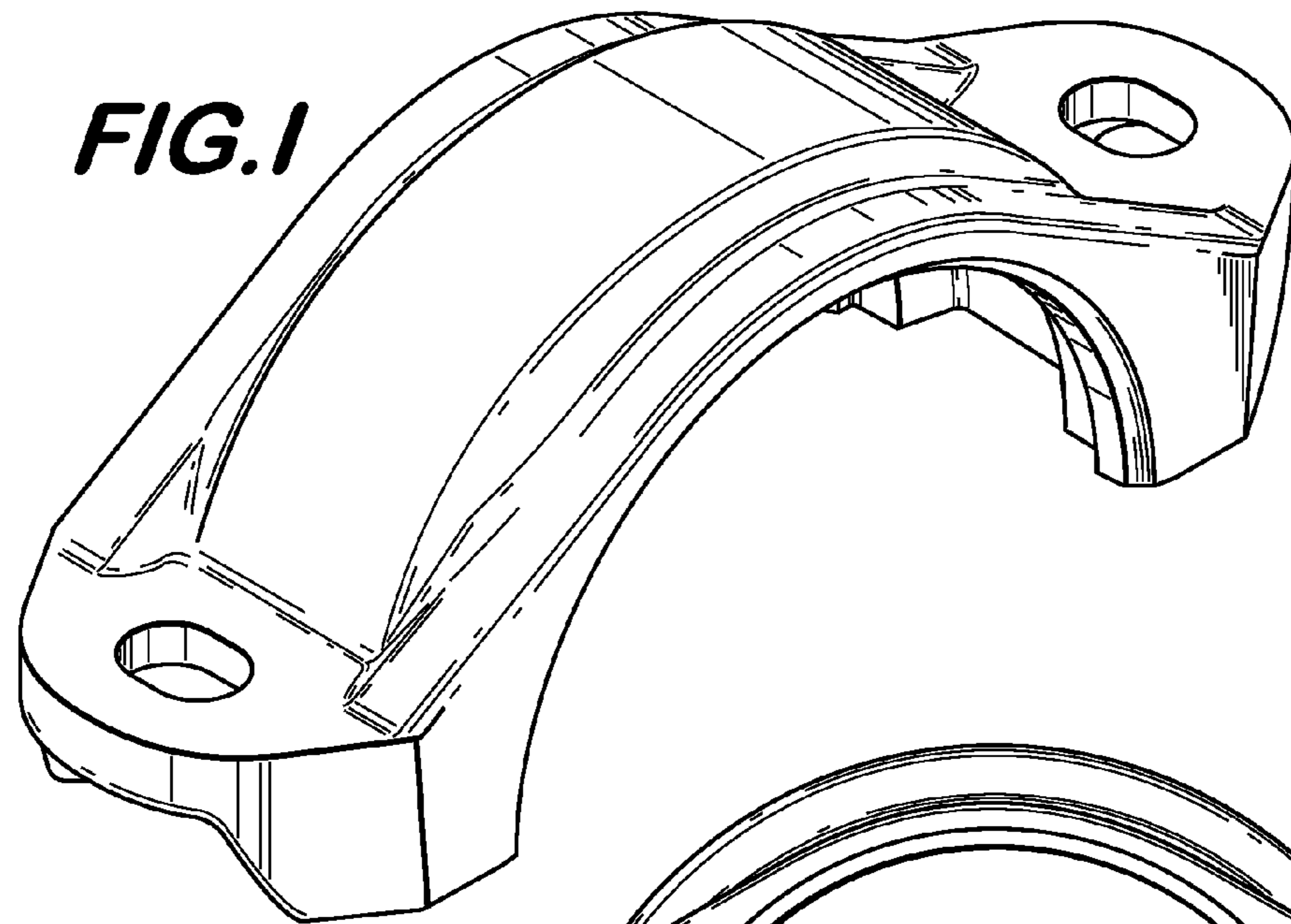
FIG. 3 is a top view of the design for a pipe coupling segment shown in FIG. 1;

FIG. 4 is a bottom view of the design for a pipe coupling segment shown in FIG. 1; and,

FIG. 5 is a left side view of for the design for a pipe coupling segment shown in FIG. 1, the right side view being identical.

1 Claim, 2 Drawing Sheets





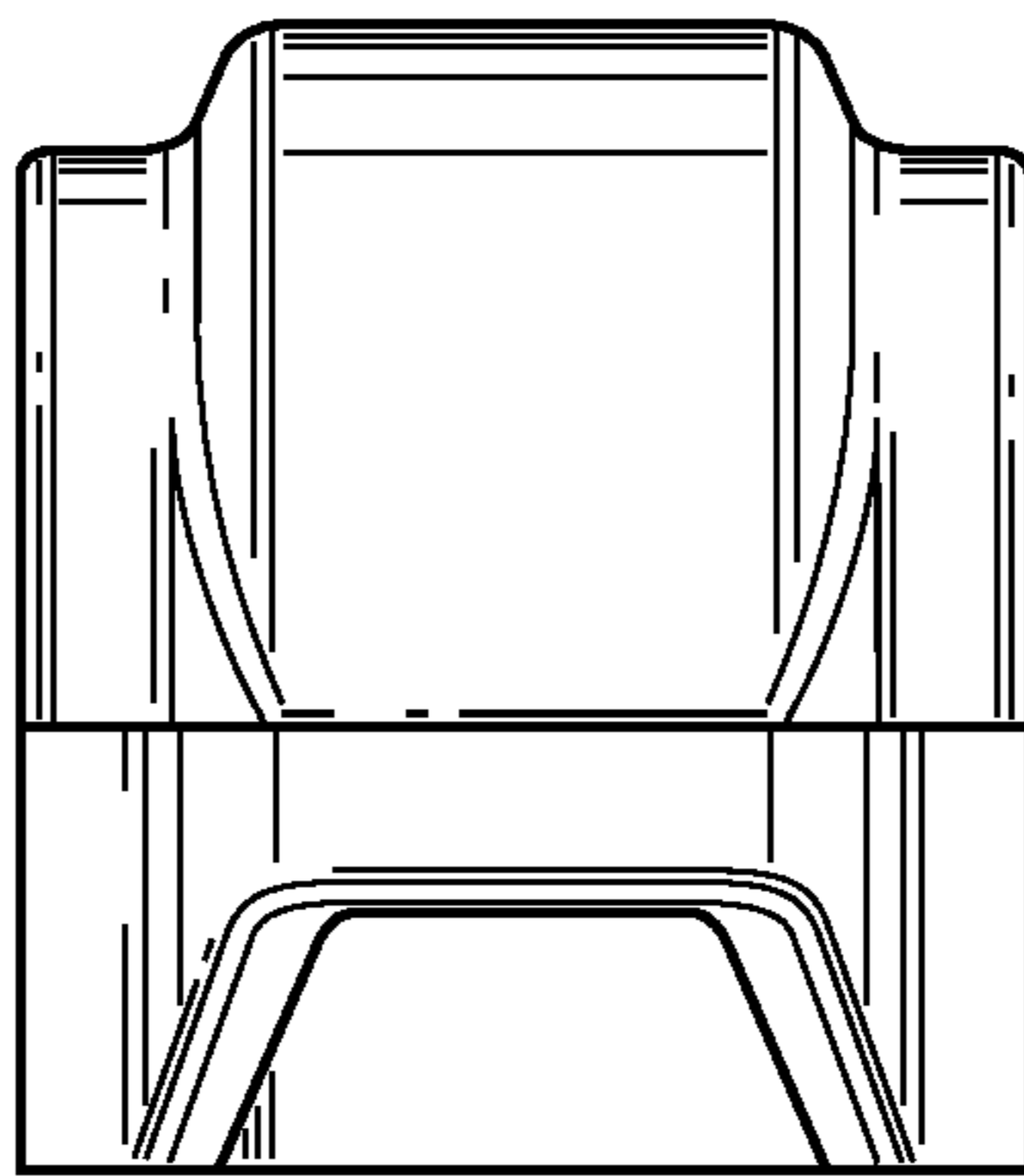


FIG. 5