

US00D629080S

(12) **United States Design Patent**
Dole et al.

(10) **Patent No.:** **US D629,080 S**
(45) **Date of Patent:** **** Dec. 14, 2010**

(54) **PIPE COUPLING**

(75) Inventors: **Douglas R. Dole**, Whitehouse Station,
NJ (US); **Alan M. Yesavage**,
Lenhartsville, PA (US)

(73) Assignee: **Victaulic Company**, Easton, PA (US)

(**) Term: **14 Years**

(21) Appl. No.: **29/363,554**

(22) Filed: **Jun. 11, 2010**

(51) **LOC (9) Cl.** **23-01**

(52) **U.S. Cl.** **D23/262**

(58) **Field of Classification Search** D23/259-262;
239/428.5; 261/DIG. 22; D8/396; 285/1,
285/112, 179, 340, 367, 373, 404, 53, 915;
403/291, 300; 411/5, 10; 137/801

See application file for complete search history.

(56) **References Cited**

U.S. PATENT DOCUMENTS

2,278,997	A *	4/1942	Knight	464/10
4,026,586	A *	5/1977	Kennedy et al.	285/236
4,408,788	A *	10/1983	Beukema	285/419
4,522,434	A *	6/1985	Webb	285/112
4,561,678	A *	12/1985	Kunsman	285/39
4,601,495	A *	7/1986	Webb	285/112
4,611,839	A *	9/1986	Rung et al.	285/367

6,533,333	B1 *	3/2003	Radzik	285/367
D616,532	S *	5/2010	Madara et al.	D23/262
D616,533	S *	5/2010	Bowman et al.	D23/262
D618,312	S *	6/2010	Madara et al.	D23/262
D618,314	S *	6/2010	Bowman et al.	D23/262
2005/0104369	A1 *	5/2005	Webb et al.	285/104
2007/0296213	A1 *	12/2007	Jones et al.	285/421

* cited by examiner

Primary Examiner—T. Chase Nelson

Assistant Examiner—Eric L Goodman

(74) *Attorney, Agent, or Firm*—Ballard Spahr LLP

(57) **CLAIM**

We claim the ornamental design for a pipe coupling, as shown and described.

DESCRIPTION

FIG. 1 is an isometric view of our design for a pipe coupling;
FIG. 2 is a front view of the design for a pipe coupling shown
in FIG. 1, the rear view being identical;

FIG. 3 is a top view of the design for a pipe coupling shown in
FIG. 1;

FIG. 4 is a bottom view of the design for a pipe coupling
shown in FIG. 1; and,

FIG. 5 is a left side view of for the design for a pipe coupling
shown in FIG. 1, the right side view being identical.

1 Claim, 2 Drawing Sheets

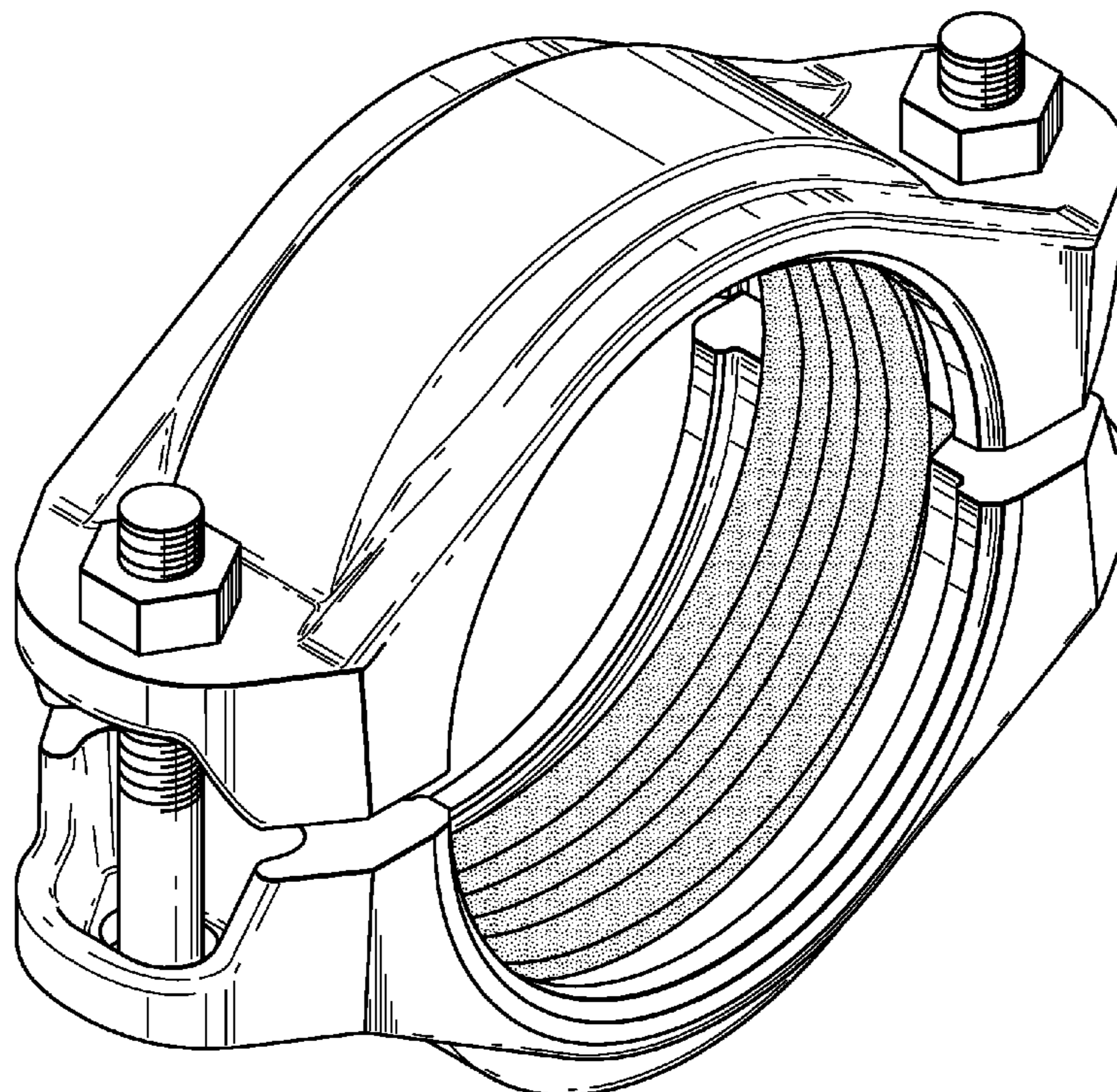


FIG.1

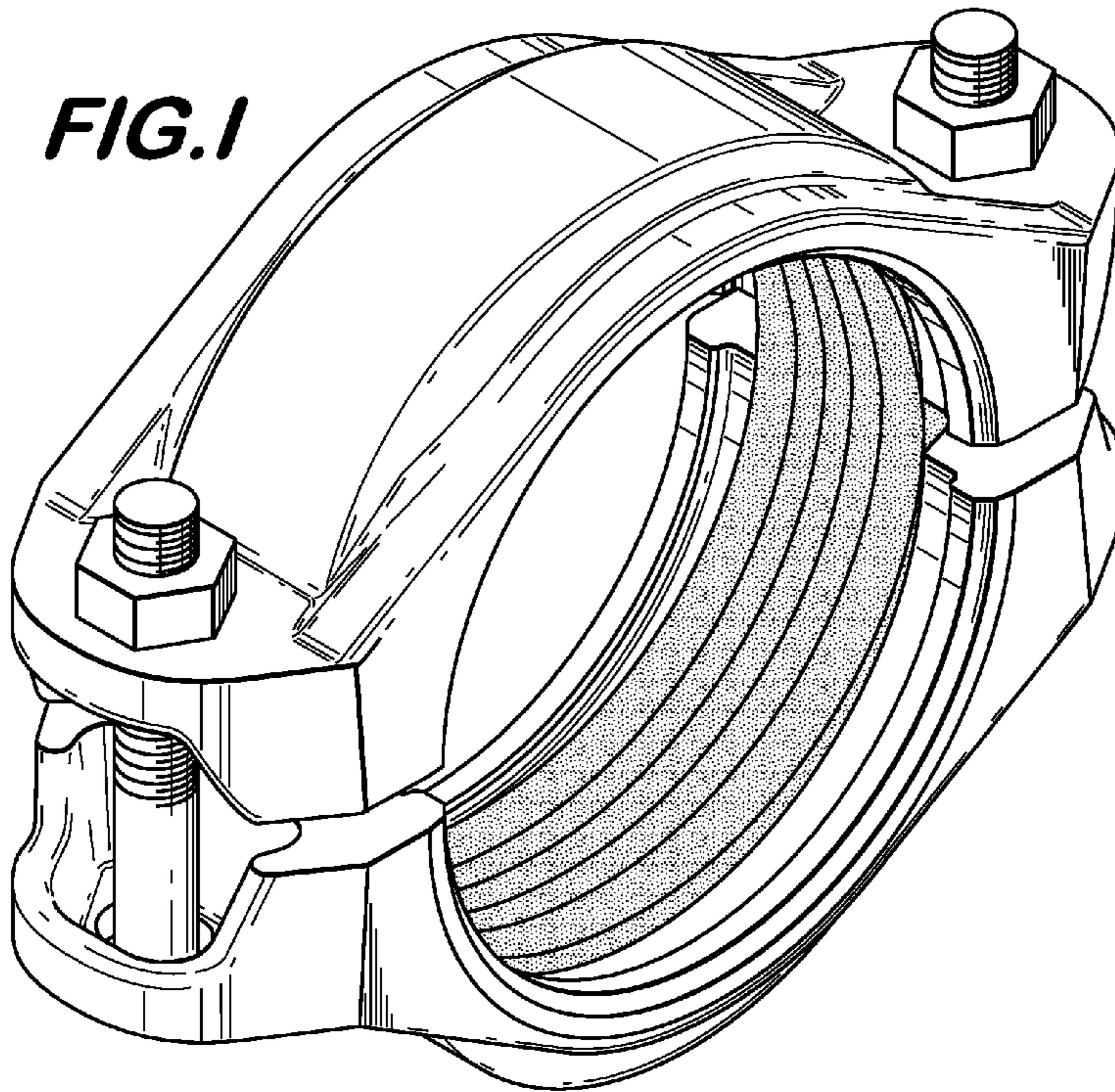


FIG.2

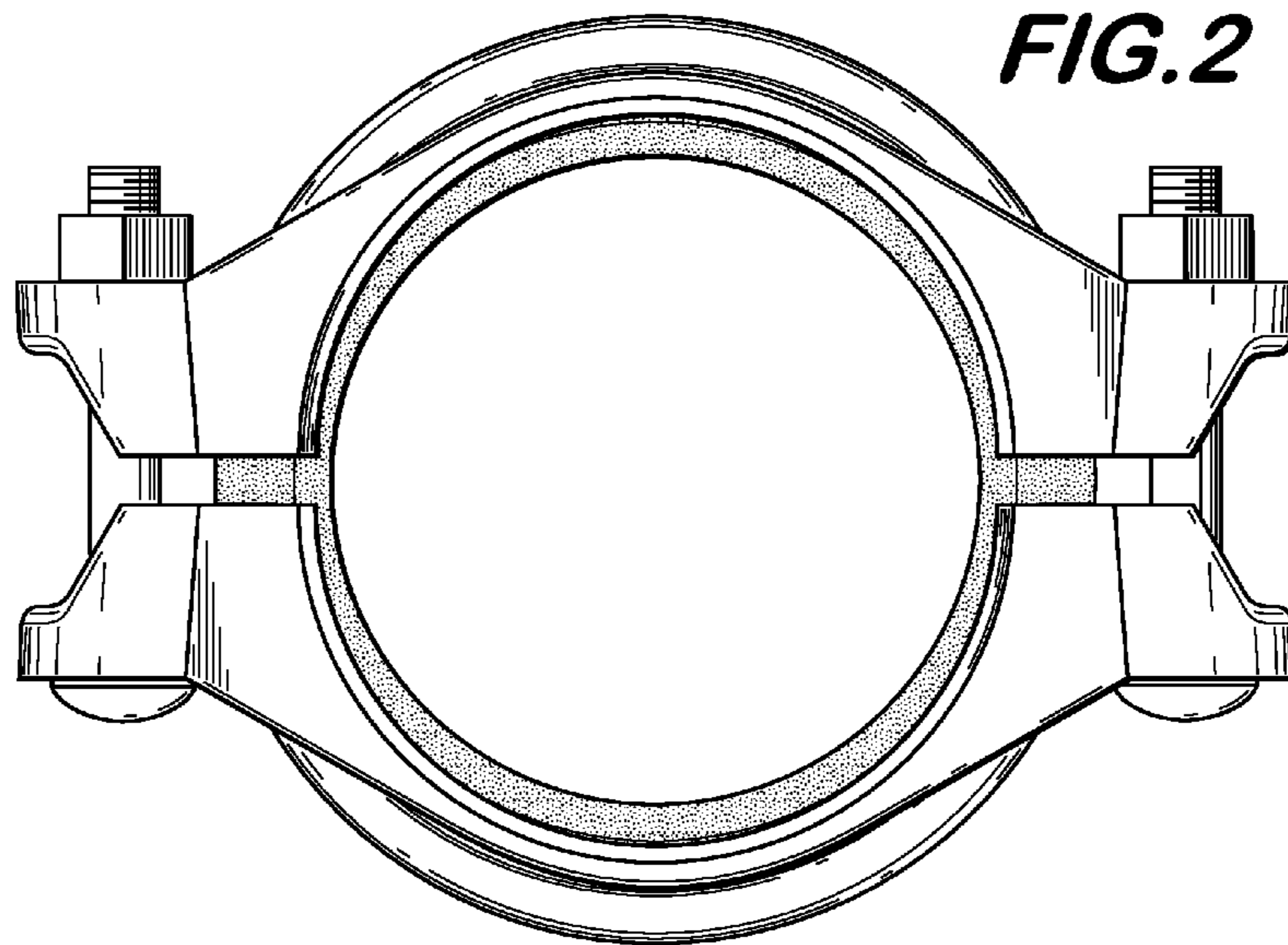


FIG. 3

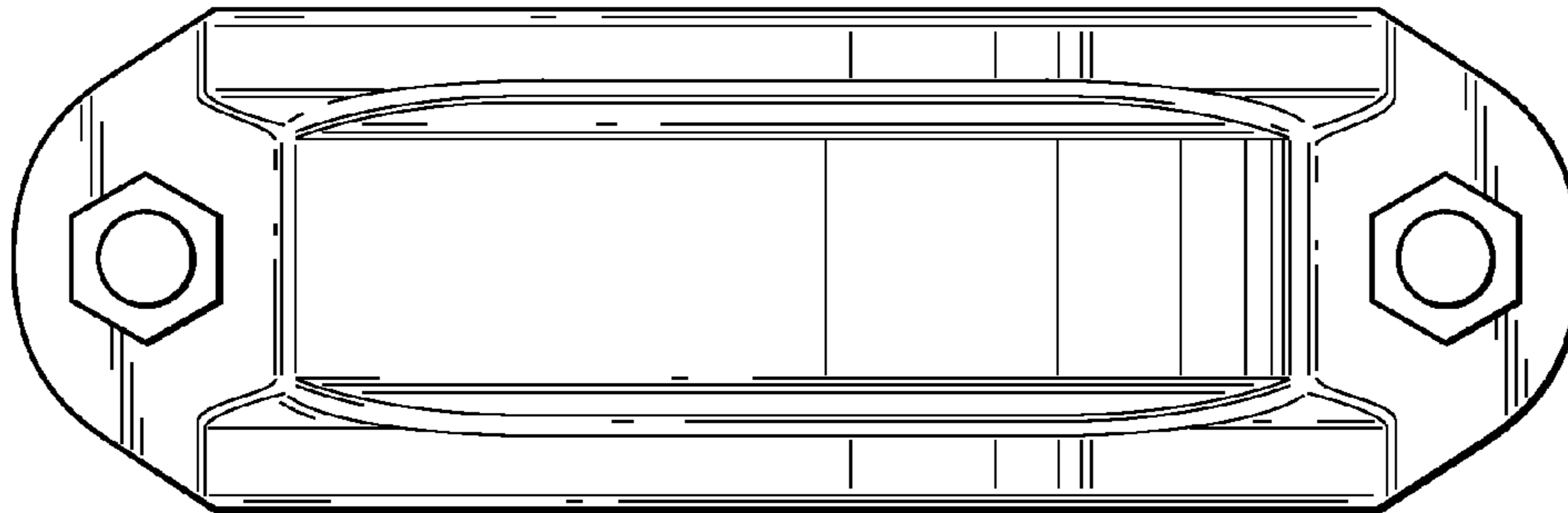


FIG. 4

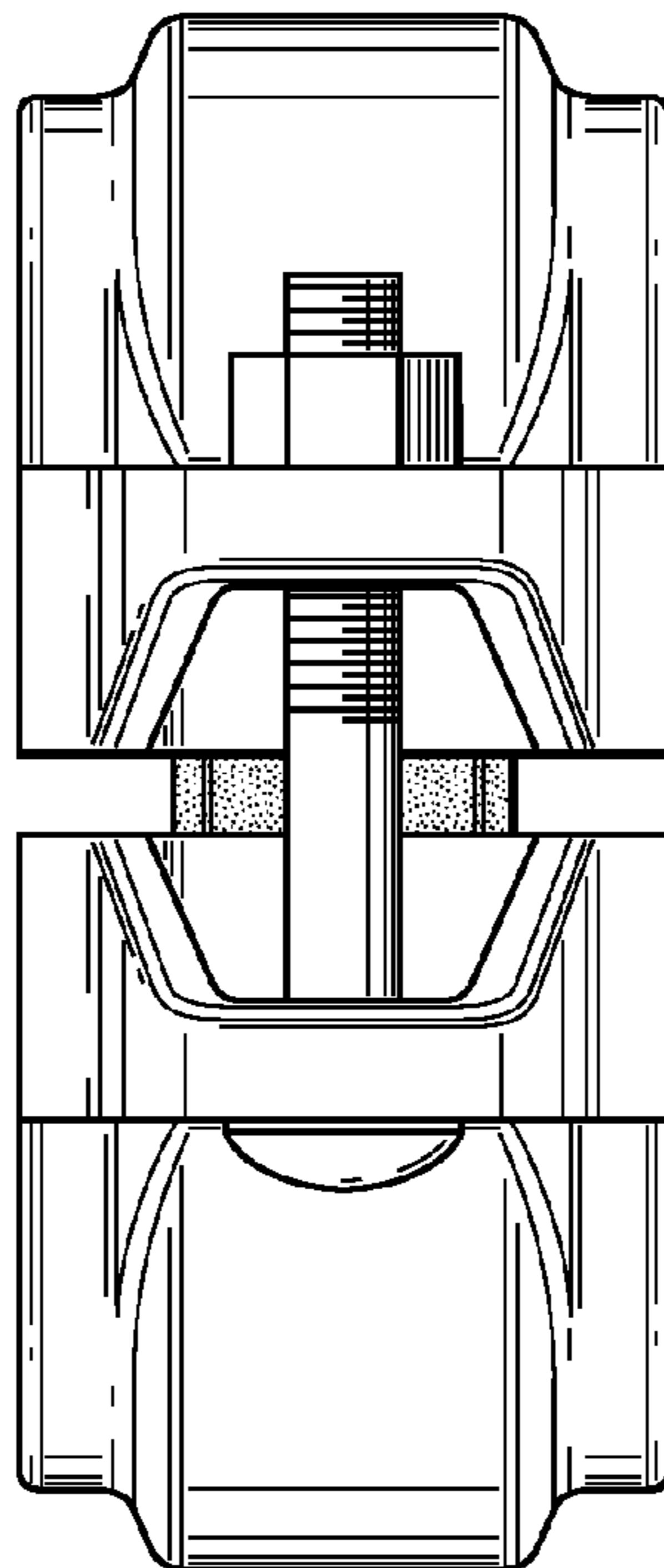
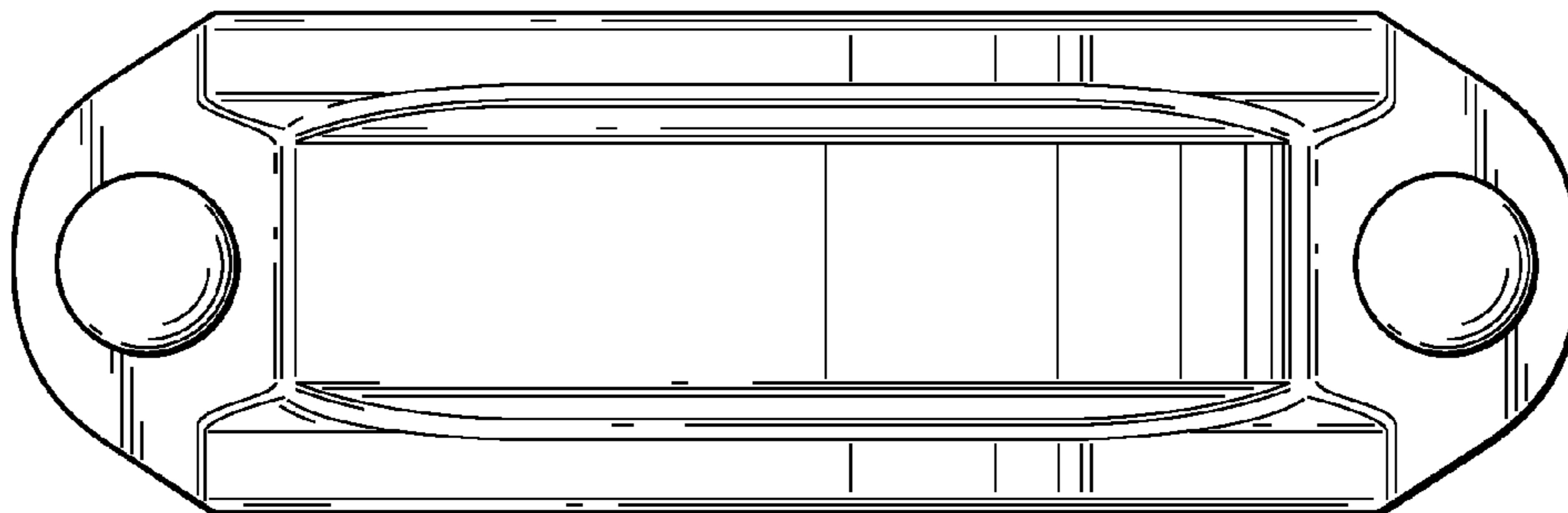


FIG. 5