



US00D629077S

(12) **United States Design Patent**
Porter et al.

(10) **Patent No.:** **US D629,077 S**

(45) **Date of Patent:** **** *Dec. 14, 2010**

(54) **PIPE COUPLING SEGMENT**

(75) Inventors: **Michael V. Porter**, Easton, PA (US);
Scott D. Madara, Nazareth, PA (US);
Amit R. Shah, Quakertown, PA (US)

(73) Assignee: **Victaulic Company**, Easton, PA (US)

(*) Notice: This patent is subject to a terminal disclaimer.

(**) Term: **14 Years**

(21) Appl. No.: **29/363,104**

(22) Filed: **Jun. 4, 2010**

Related U.S. Application Data

(62) Division of application No. 29/345,578, filed on Oct. 19, 2009, now Pat. No. Des. 621,482.

(51) **LOC (9) Cl.** **23-01**

(52) **U.S. Cl.** **D23/262**

(58) **Field of Classification Search** D23/259-269;
285/340, 367, 373, 404, 53, 915; D8/396;
403/291, 300; 411/5, 10; 137/801

See application file for complete search history.

(56) **References Cited**

U.S. PATENT DOCUMENTS

1,851,574 A	3/1932	Fiederlein
D142,057 S	8/1945	Baxter
D142,834 S	11/1945	Campbell
D168,928 S	3/1953	English
2,752,173 A	6/1956	Kroos
3,695,638 A	10/1972	Blakeley
4,218,080 A	8/1980	Kendrick
4,408,788 A	10/1983	Beukema
D287,532 S	12/1986	Jones et al.
4,896,902 A	1/1990	Weston
4,966,395 A	10/1990	Hendrickson
5,058,931 A	10/1991	Bowsher
D334,050 S	3/1993	Foxlee

D339,975 S	10/1993	Bird et al.
5,911,446 A	6/1999	McLennan et al.
6,076,861 A	6/2000	Ikeda
6,170,884 B1	1/2001	McLennan et al.
6,626,466 B1	9/2003	Dole

(Continued)

OTHER PUBLICATIONS

Asian Sources Hardware (Apr. 2006), p. 187.

Primary Examiner—T. Chase Nelson
Assistant Examiner—Eric L Goodman

(74) *Attorney, Agent, or Firm*—Ballard Spahr LLP

(57) **CLAIM**

We claim the ornamental design for a pipe coupling segment, as shown and described.

DESCRIPTION

FIG. 1 is an isometric view of our design for a pipe coupling segment;

FIG. 2 is a front view of the design for a pipe coupling segment shown in FIG. 1, the rear view being identical;

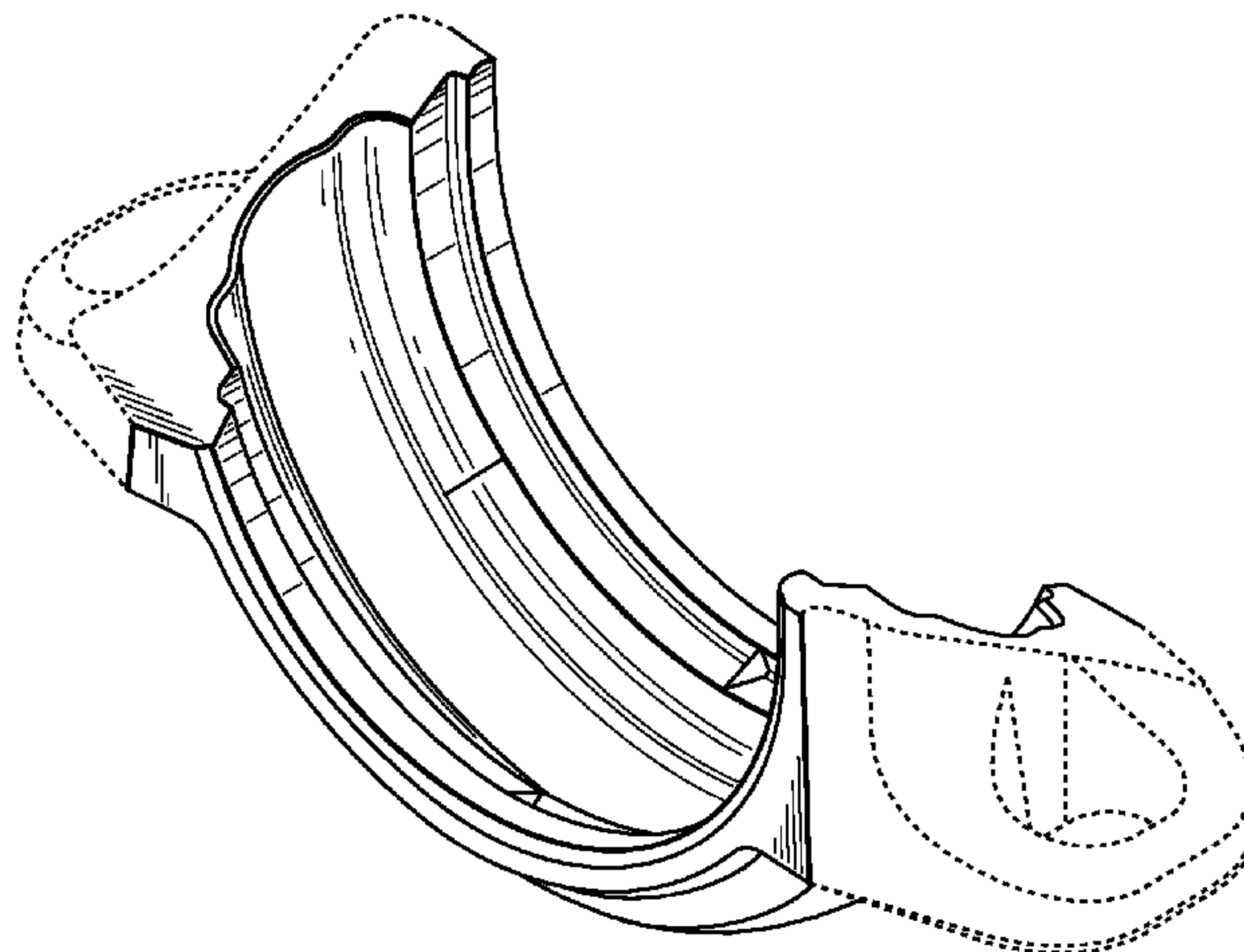
FIG. 3 is a top view of the design for a pipe coupling segment shown in FIG. 1;

FIG. 4 is a bottom view of the design for a pipe coupling segment shown in FIG. 1; and,

FIG. 5 is a left side view of the design for a pipe coupling segment shown in FIG. 1, the right side view being identical.

The broken lines in FIGS. 1-5 are for illustrative purposes only and form no part of the claimed design.

1 Claim, 2 Drawing Sheets



US D629,077 S

Page 2

U.S. PATENT DOCUMENTS

7,086,131 B2	8/2006	Gibb et al.	D590,924 S	4/2009	Nagle et al.	
7,090,259 B2	8/2006	Dole	D590,925 S	4/2009	Nagle et al.	
D558,307 S	12/2007	Gibb et al.	7,524,308 B2 *	4/2009	Conway	604/192
D560,764 S	1/2008	Gibb et al.	D595,815 S	7/2009	Pierce et al.	
D568,451 S	5/2008	Gibb et al.	7,670,318 B2 *	3/2010	Alesi et al.	604/181
D570,458 S	6/2008	Gibb et al.	7,722,572 B2 *	5/2010	Sprinkle et al.	604/192
D583,444 S	12/2008	Nagle et al.	D616,985 S *	6/2010	Ade et al.	D24/130
D583,914 S	12/2008	Pierce et al.	7,762,987 B2 *	7/2010	Wu	604/110
D583,916 S	12/2008	Madara et al.	2005/0242585 A1	11/2005	Dole et al.	
D587,349 S	2/2009	Madara et al.	2008/0284161 A1	11/2008	Dole et al.	
D590,923 S	4/2009	Nagle et al.	2009/0093760 A1 *	4/2009	Kiehne	604/110
			2009/0118676 A1 *	5/2009	Emmott et al.	604/195

* cited by examiner

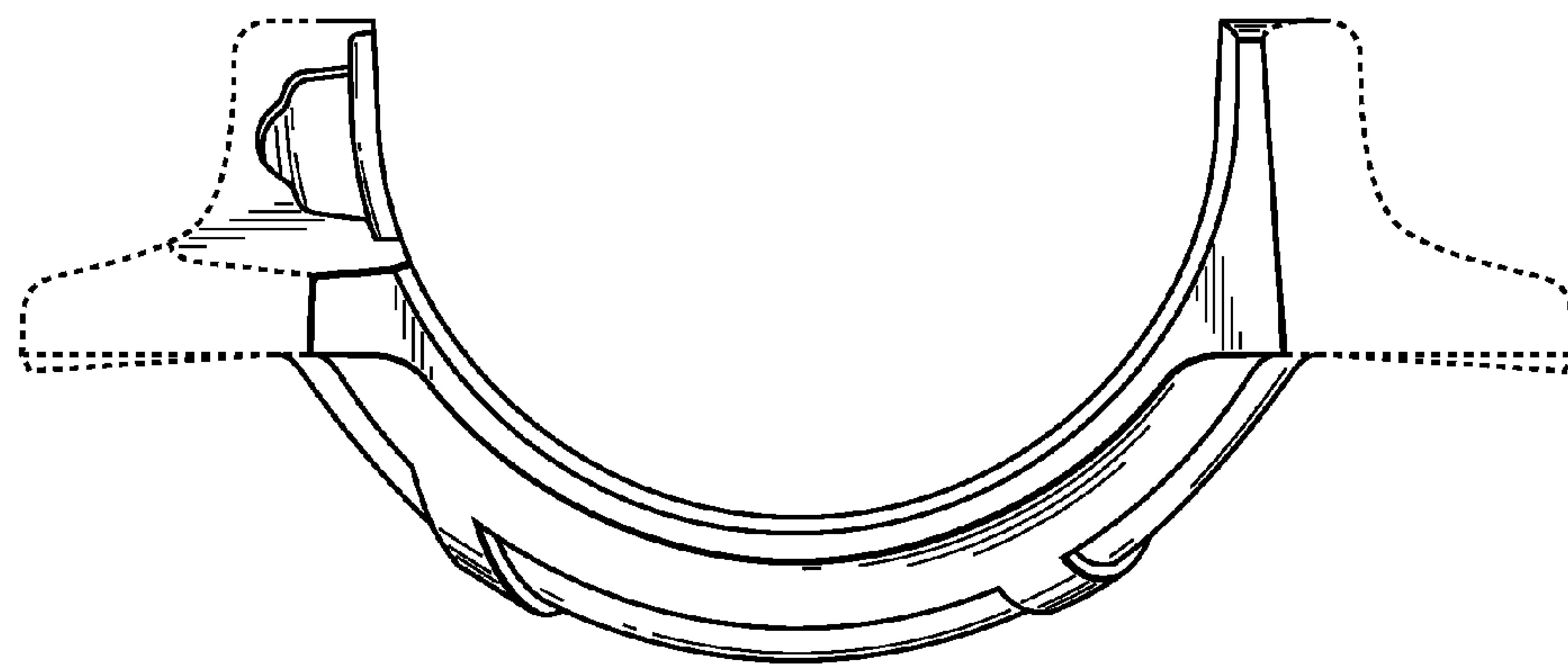
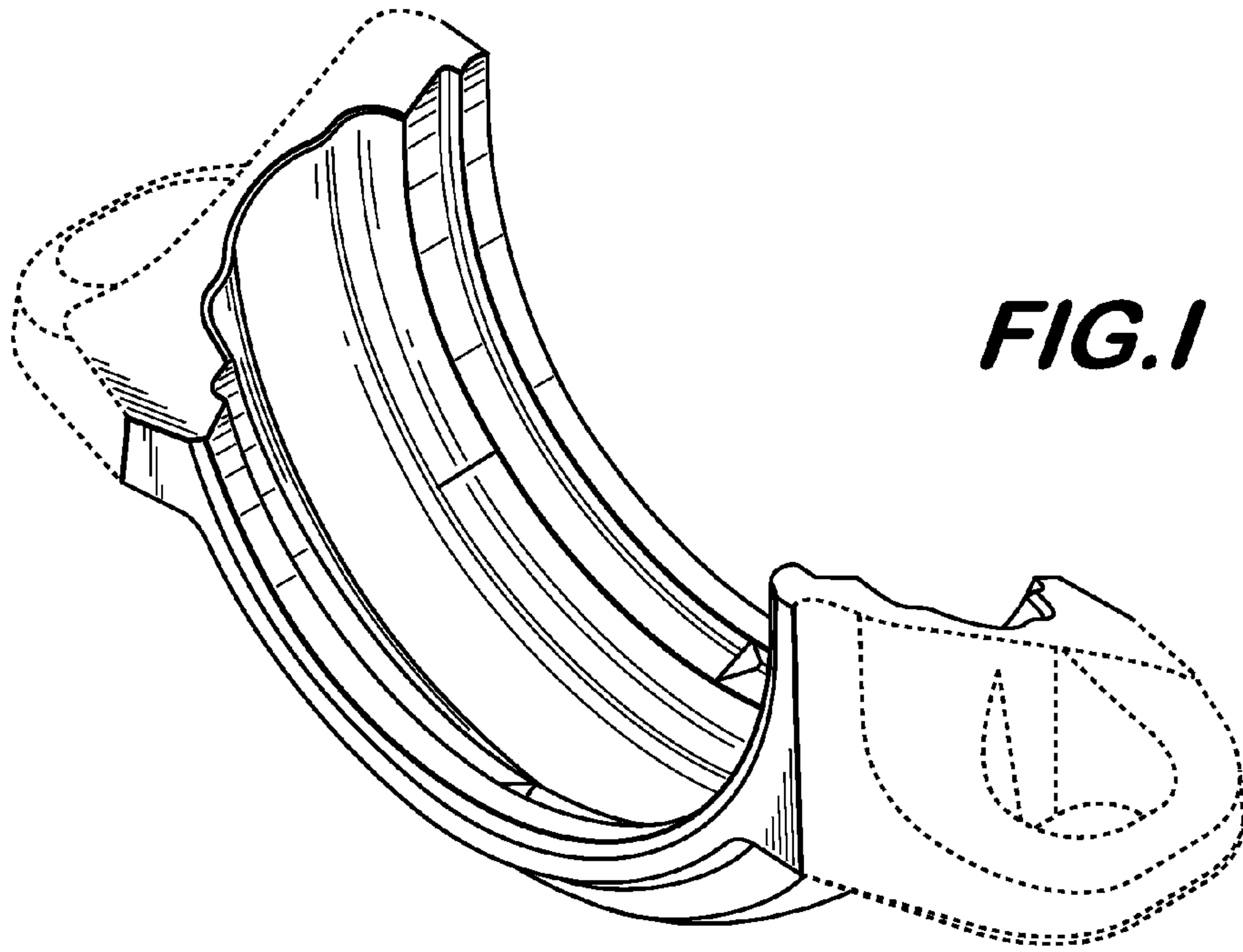


FIG.3

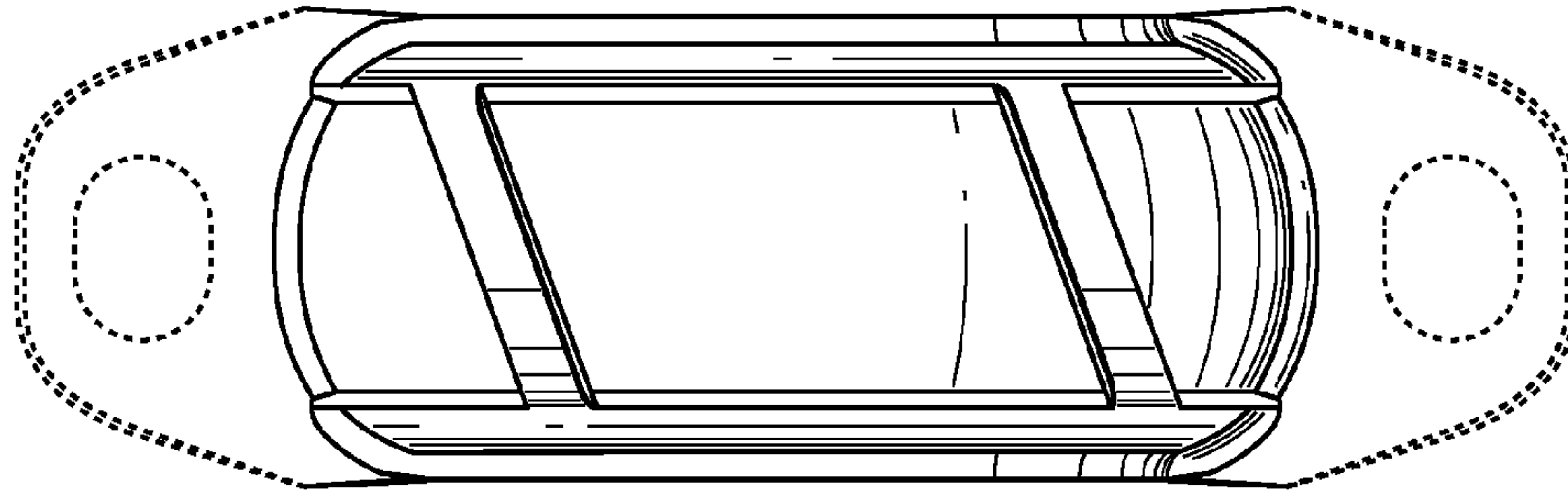


FIG.4

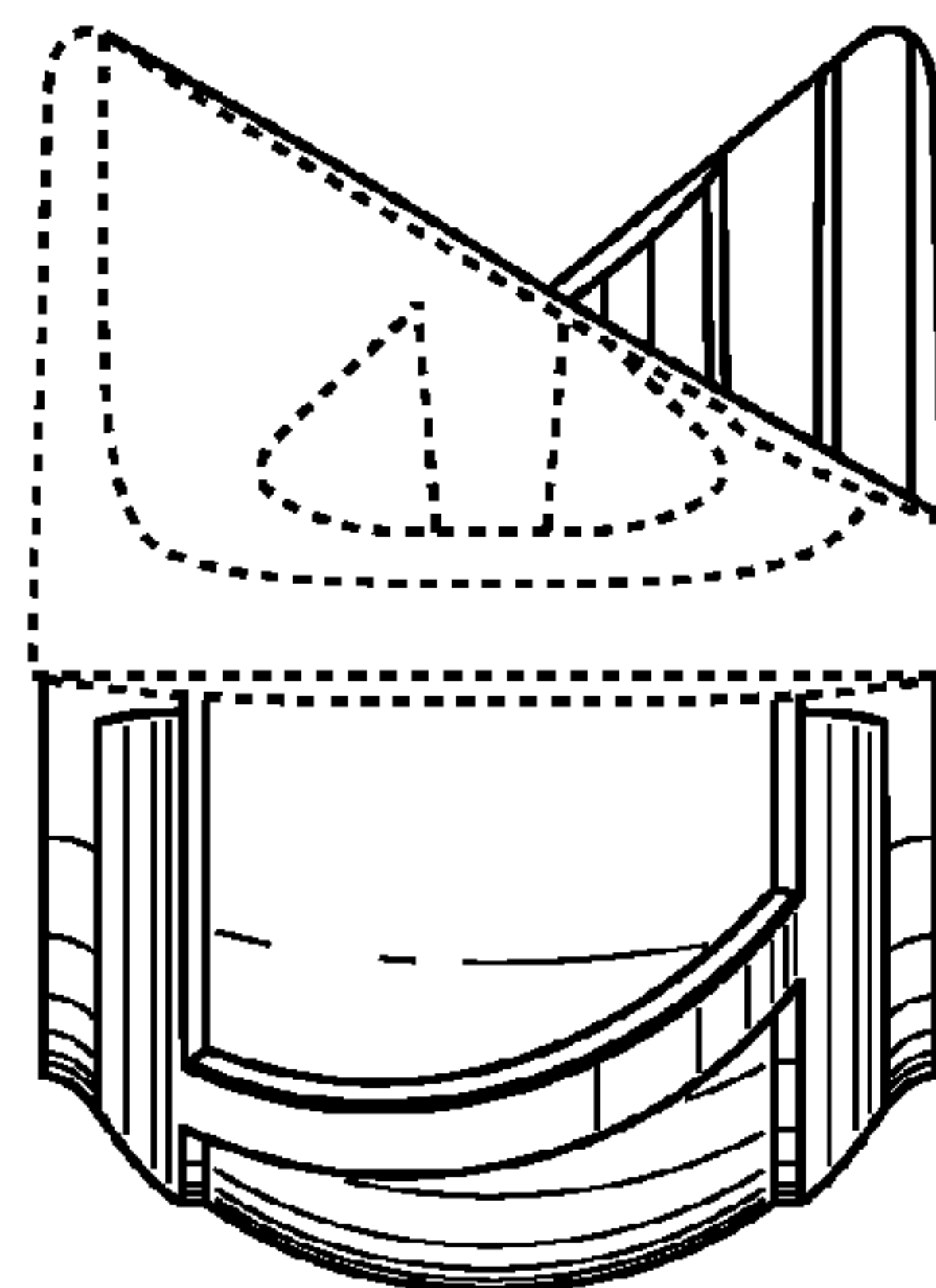
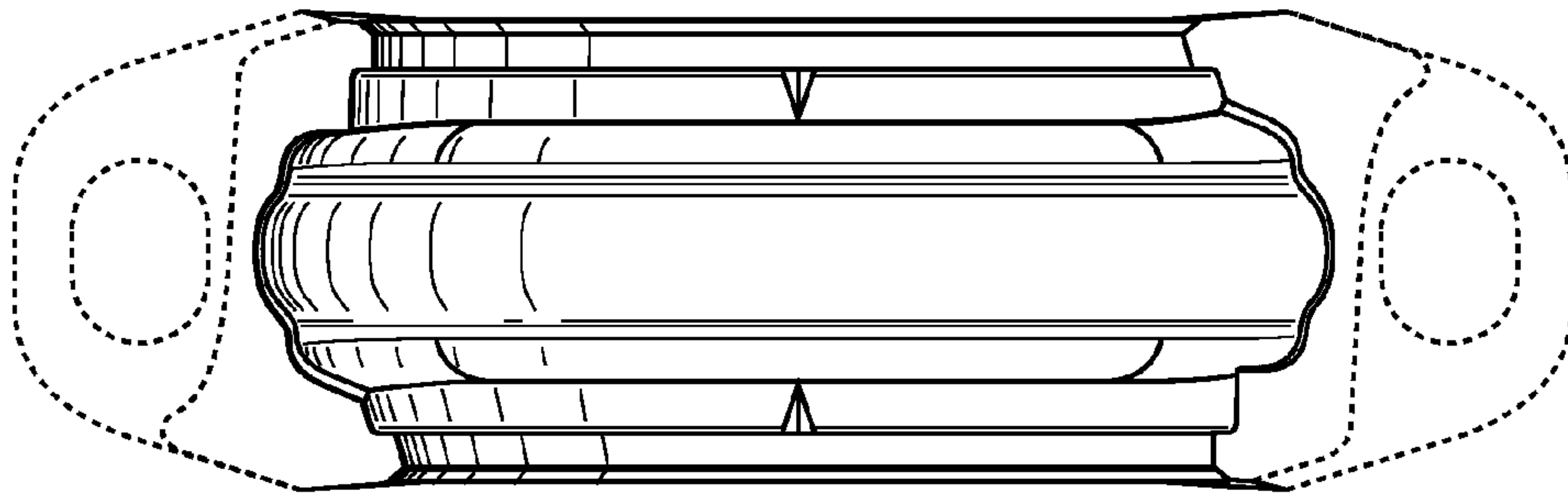


FIG.5