



US00D629075S

(12) **United States Design Patent**  
**Madara**

(10) **Patent No.:** **US D629,075 S**  
(45) **Date of Patent:** **\*\* Dec. 14, 2010**

(54) **GUSSET PIPE COUPLING SEGMENT**

(75) Inventor: **Scott D. Madara**, Nazareth, PA (US)

(73) Assignee: **Victaulic Company**, Easton, PA (US)

(\*\*) Term: **14 Years**

(21) Appl. No.: **29/360,976**

(22) Filed: **May 4, 2010**

(51) **LOC (9) Cl.** ..... **23-01**

(52) **U.S. Cl.** ..... **D23/262**

(58) **Field of Classification Search** ..... D23/259–269;  
285/11–12, 7, 177, 394–395, 307, 358, 179–183,  
285/423, 356, 303, 337, 1, 53, 404, 112,  
285/367, 373, 915; 403/300, 291

See application file for complete search history.

(56) **References Cited**

**U.S. PATENT DOCUMENTS**

872,659	A *	12/1907	Lord	.....	277/623
2,861,822	A *	11/1958	Risley et al.	.....	285/348
D208,388	S *	8/1967	Graham	.....	D23/265
3,352,579	A *	11/1967	Hoke	.....	277/621
4,183,560	A *	1/1980	Wyss	.....	285/232
D513,793	S *	1/2006	Copeland et al.	.....	D23/262
D515,673	S *	2/2006	Copeland et al.	.....	D23/262
D593,642	S *	6/2009	Copeland et al.	.....	D23/266
D600,784	S	9/2009	Henry et al.	.....	D23/262
D602,127	S	10/2009	Shah et al.	.....	D23/262
D605,734	S	12/2009	Henry et al.	.....	D23/262
D605,735	S	12/2009	Shah et al.	.....	D23/262
D607,548	S *	1/2010	Shah et al.	.....	D23/262
D607,549	S *	1/2010	Shah et al.	.....	D23/262
D607,550	S *	1/2010	Shah et al.	.....	D23/262
D608,865	S	1/2010	Henry et al.	.....	D23/262

D608,866	S	1/2010	Henry et al.	.....	D23/262
D608,867	S	1/2010	Henry et al.	.....	D23/262
D612,461	S	3/2010	Henry et al.	.....	D23/262
D612,462	S	3/2010	Shah et al.	.....	D23/262
D612,463	S	3/2010	Shah et al.	.....	D23/262
D613,377	S	4/2010	Shah et al.	.....	D23/262
D614,269	S	4/2010	Henry et al.	.....	D23/262
D616,072	S	5/2010	Henry et al.	.....	D23/262

**OTHER PUBLICATIONS**

U.S. Appl. No. 29/360,980, filed May 4, 2010.

\* cited by examiner

*Primary Examiner*—T. Chase Nelson

*Assistant Examiner*—Eric L Goodman

(74) *Attorney, Agent, or Firm*—Ballard Spahr LLP

(57) **CLAIM**

I claim the ornamental design for a gusset pipe coupling segment, as shown and described.

**DESCRIPTION**

FIG. 1 is an isometric view of our design for a gusset pipe coupling segment;

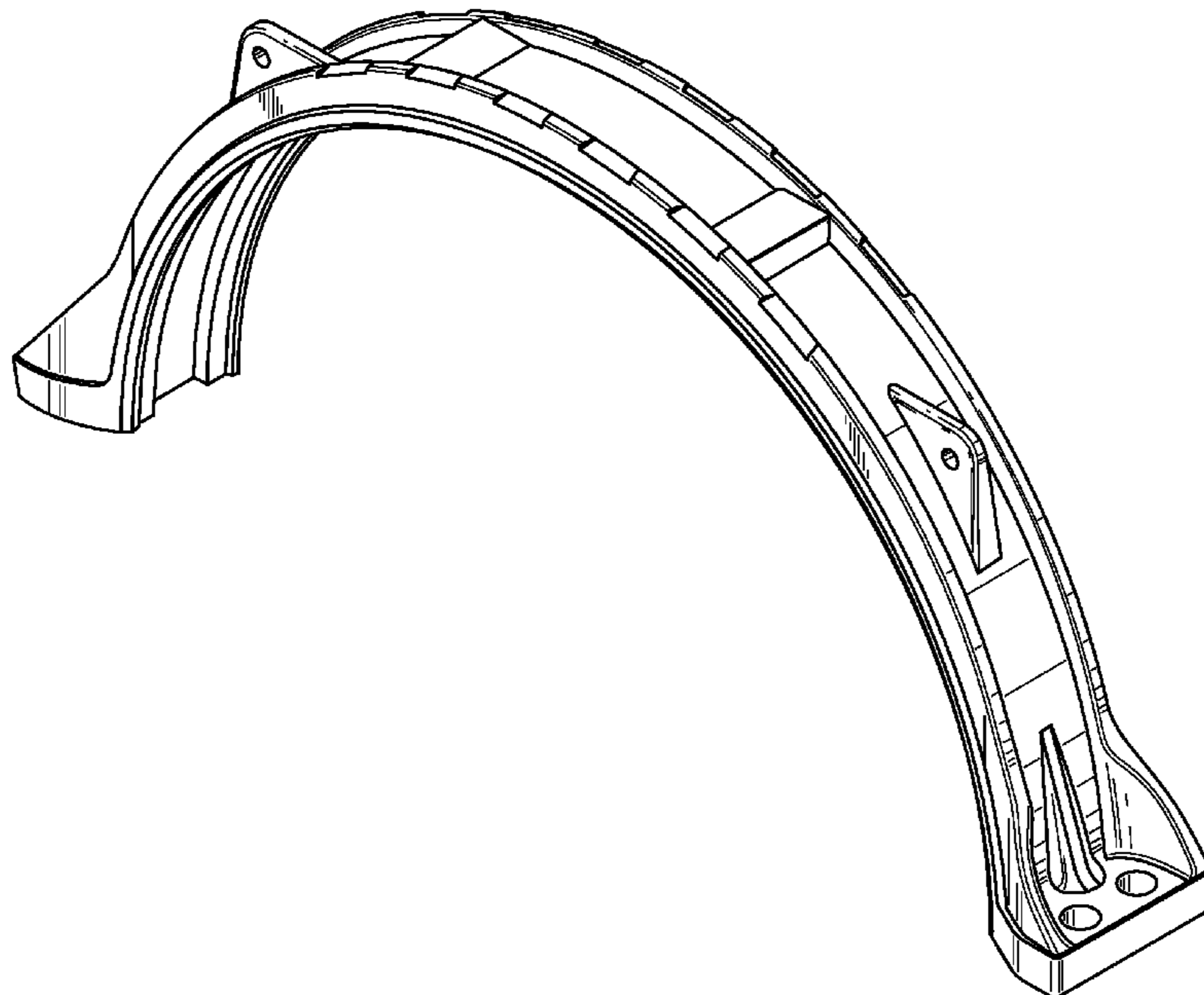
FIG. 2 is a front view of the design for a gusset pipe coupling segment shown in FIG. 1, the rear view being identical;

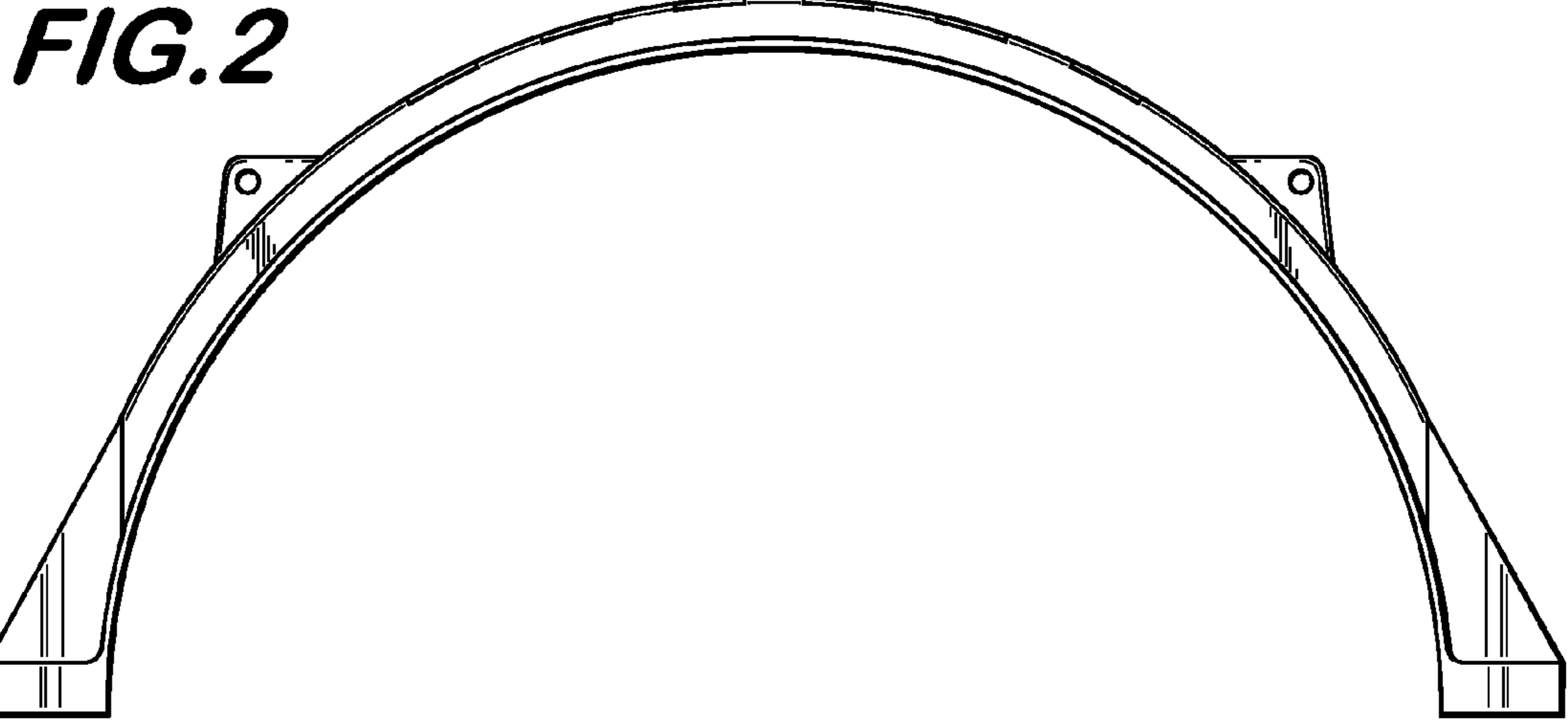
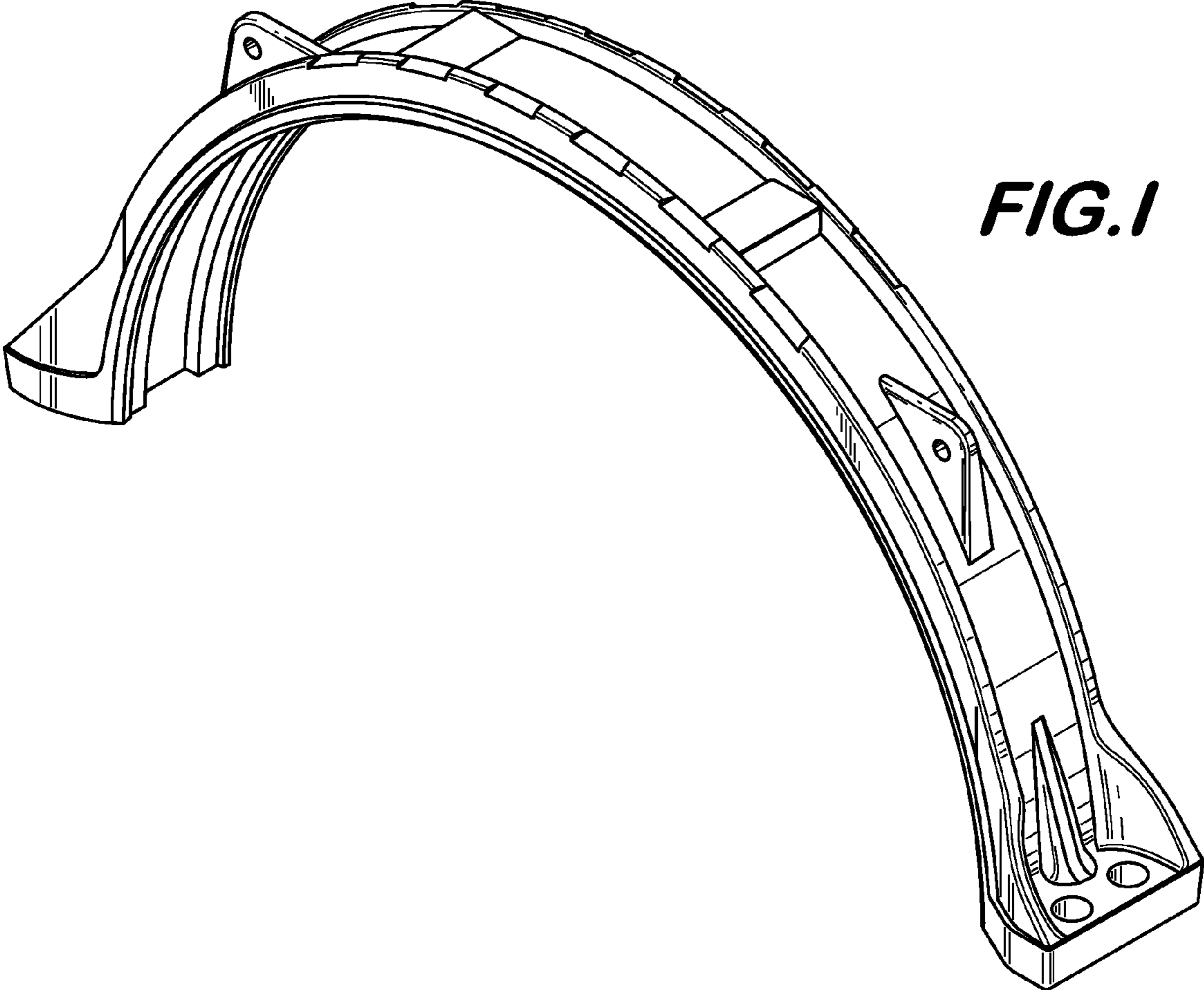
FIG. 3 is a top view of the design for a gusset pipe coupling segment shown in FIG. 1;

FIG. 4 is a bottom view of the design for a gusset pipe coupling segment shown in FIG. 1; and,

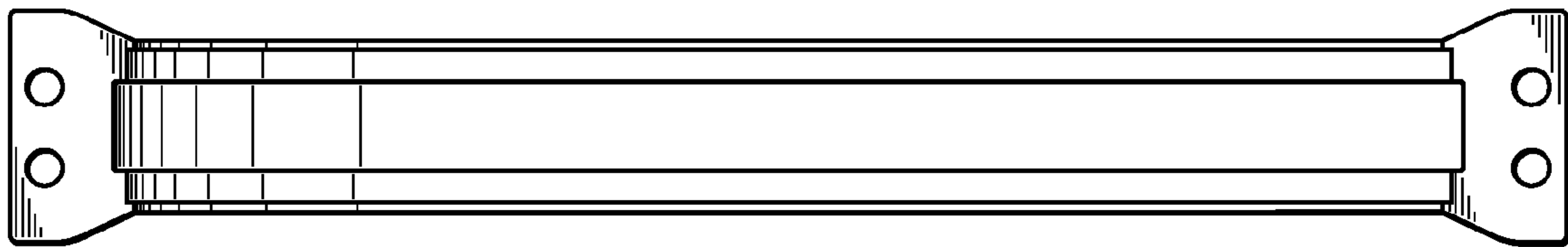
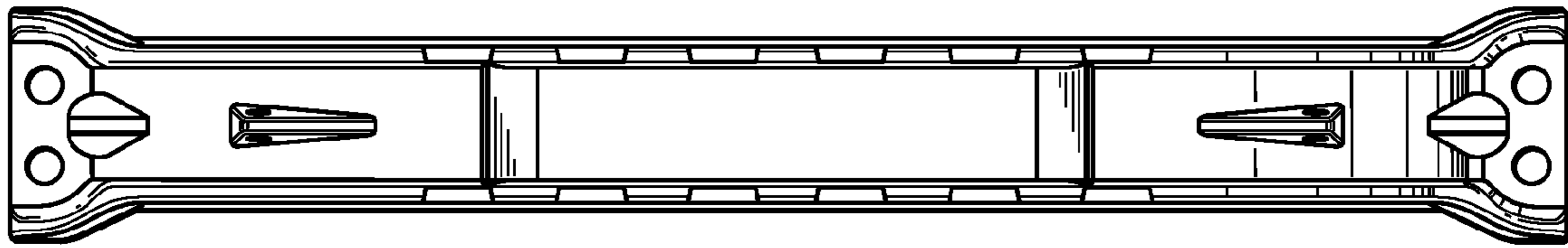
FIG. 5 is a left side view of the design for a gusset pipe coupling segment shown in FIG. 1, the right side view being identical.

**1 Claim, 2 Drawing Sheets**

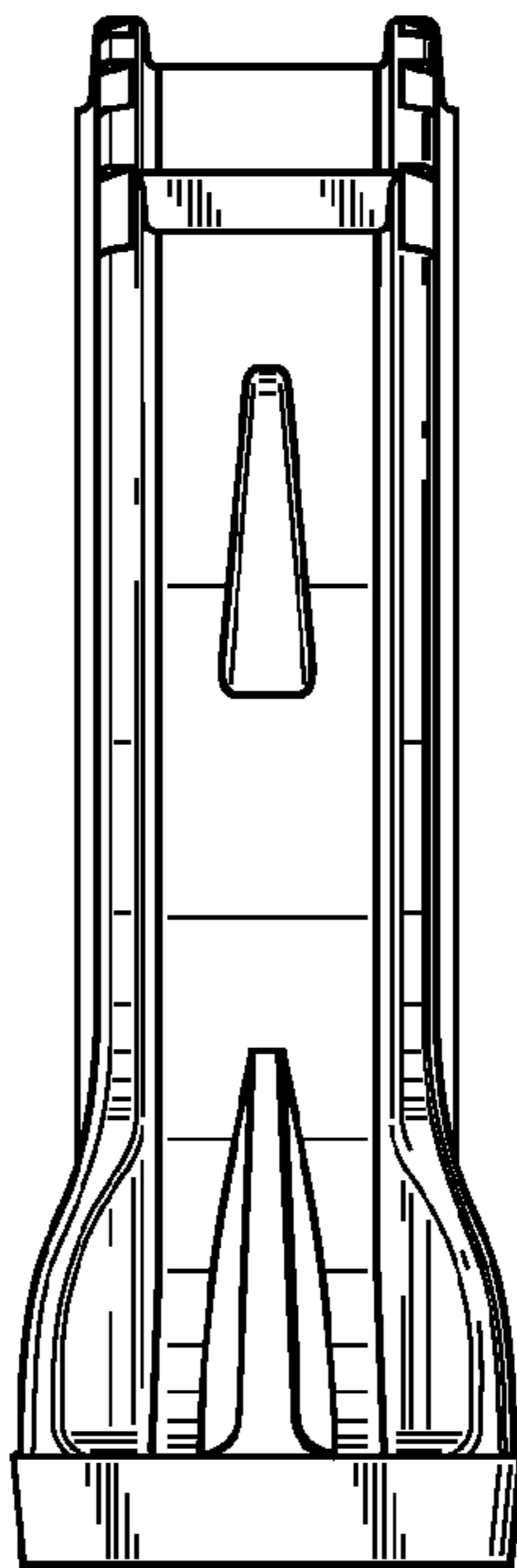




**FIG. 3**



**FIG. 4**



**FIG. 5**