



US00D629072S

(12) **United States Design Patent**  
**Madara et al.**

(10) **Patent No.:** **US D629,072 S**  
(45) **Date of Patent:** **\*\* Dec. 14, 2010**

(54) **PIPE COUPLING**

(75) Inventors: **Scott D. Madara**, Nazareth, PA (US);  
**Amit R. Shah**, Quakertown, PA (US);  
**Michael V. Porter**, Easton, PA (US)

(73) Assignee: **Victaulic Company**, Easton, PA (US)

(\*\*) Term: **14 Years**

(21) Appl. No.: **29/345,569**

(22) Filed: **Oct. 19, 2009**

(51) **LOC (9) Cl.** ..... **23-01**

(52) **U.S. Cl.** ..... **D23/262**

(58) **Field of Classification Search** ..... D23/259–262;  
239/428.5; 261/DIG. 22; D8/396; 285/1,  
285/112, 179, 340, 367, 373, 404, 53, 915;  
403/291, 300; 411/5, 10; 137/801

See application file for complete search history.

(56) **References Cited**

**U.S. PATENT DOCUMENTS**

|               |         |               |         |
|---------------|---------|---------------|---------|
| 1,027,694 A   | 5/1912  | Corbet        |         |
| 1,851,574 A   | 3/1932  | Fiederlein    |         |
| D168,928 S *  | 3/1953  | English       | D23/265 |
| 2,752,173 A   | 6/1956  | Krooss        |         |
| 3,695,638 A   | 10/1972 | Blakeley      |         |
| 4,218,080 A   | 8/1980  | Kendrick      |         |
| 4,248,460 A * | 2/1981  | Murray et al. | 285/363 |
| D287,532 S *  | 12/1986 | Jones et al.  | D23/265 |
| 4,738,276 A   | 4/1988  | Adams         |         |
| 4,966,395 A   | 10/1990 | Hendrickson   |         |
| 5,058,931 A * | 10/1991 | Bowsher       | 285/112 |
| 5,620,314 A   | 4/1997  | Worton        |         |
| 6,076,861 A   | 6/2000  | Ikeda         |         |
| D463,537 S    | 9/2002  | Kozu et al.   |         |
| 6,547,159 B1  | 4/2003  | Westby        |         |
| 6,626,466 B1  | 9/2003  | Dole          |         |
| 6,991,268 B2  | 1/2006  | Spears        |         |
| 7,086,131 B2  | 8/2006  | Gibb et al.   |         |
| 7,090,259 B2  | 8/2006  | Dole          |         |
| D558,307 S    | 12/2007 | Gibb et al.   |         |
| D560,764 S    | 1/2008  | Gibb et al.   |         |

|              |         |               |         |
|--------------|---------|---------------|---------|
| D583,444 S * | 12/2008 | Nagle et al.  | D23/262 |
| D583,914 S * | 12/2008 | Pierce et al. | D23/262 |
| D583,916 S * | 12/2008 | Madara et al. | D23/265 |
| D595,813 S   | 7/2009  | Pierce et al. |         |
| D595,814 S   | 7/2009  | Pierce et al. |         |
| D595,815 S * | 7/2009  | Pierce et al. | D23/262 |
| D621,916 S * | 8/2010  | Porter et al. | D23/262 |
| D621,917 S * | 8/2010  | Madara et al. | D23/262 |

(Continued)

**OTHER PUBLICATIONS**

Asian Sources Hardware (Apr. 2006), p. 187.

*Primary Examiner*—T. Chase Nelson

*Assistant Examiner*—Eric L Goodman

(74) *Attorney, Agent, or Firm*—Ballard Spahr LLP

(57) **CLAIM**

We claim the ornamental design for a pipe coupling, as shown and described.

**DESCRIPTION**

FIG. 1 is an isometric view of a first embodiment of our design for a pipe coupling;

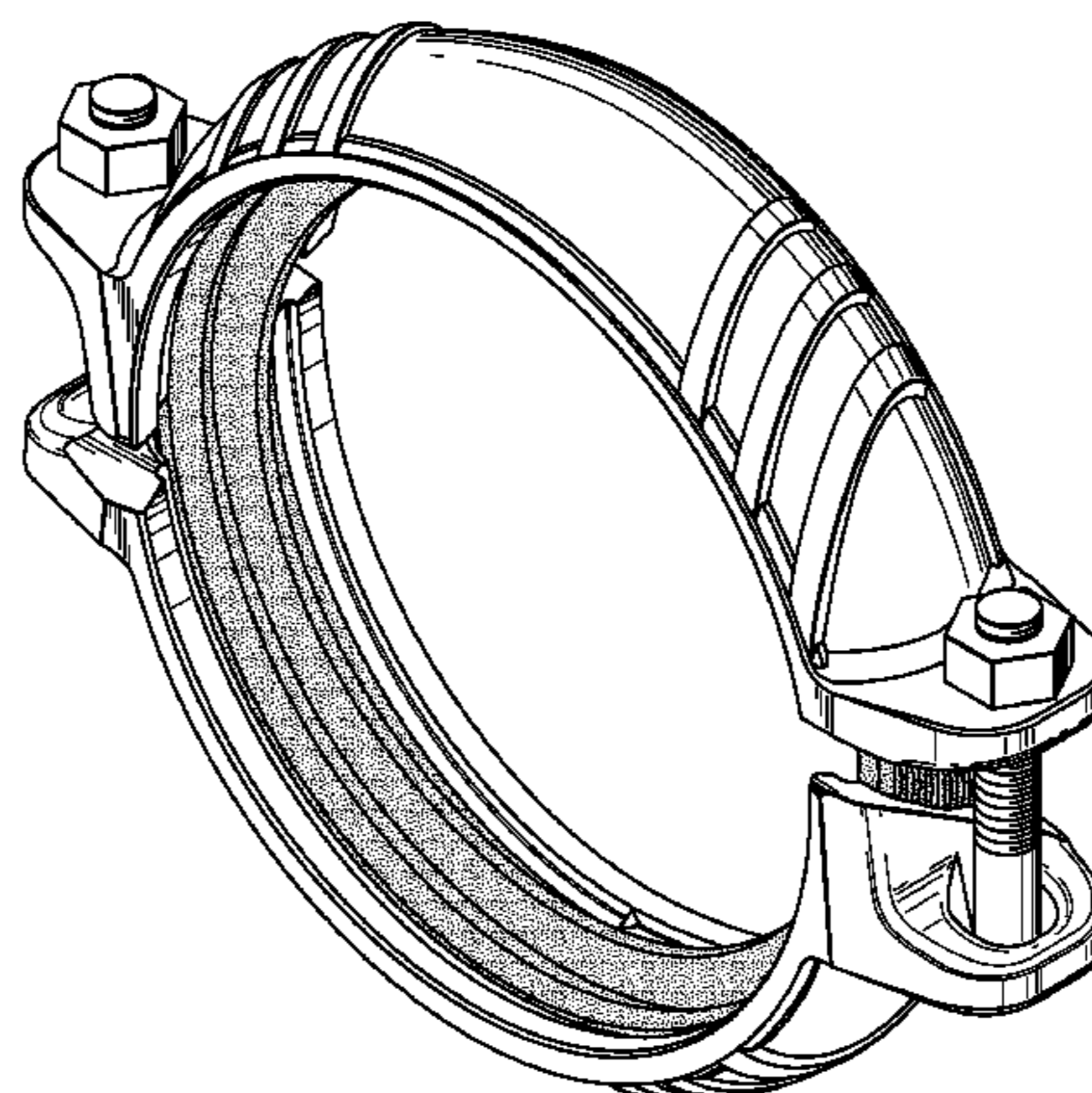
FIG. 2 is a front view of the design for a pipe coupling shown in FIG. 1, the rear view being identical;

FIG. 3 is a top view of the design for a pipe coupling shown in FIG. 1;

FIG. 4 is a bottom view of the design for a pipe coupling shown in FIG. 1; and,

FIG. 5 is a left side view of for the design for a pipe coupling shown in FIG. 1, the right side view being identical.

**1 Claim, 3 Drawing Sheets**



# US D629,072 S

Page 2

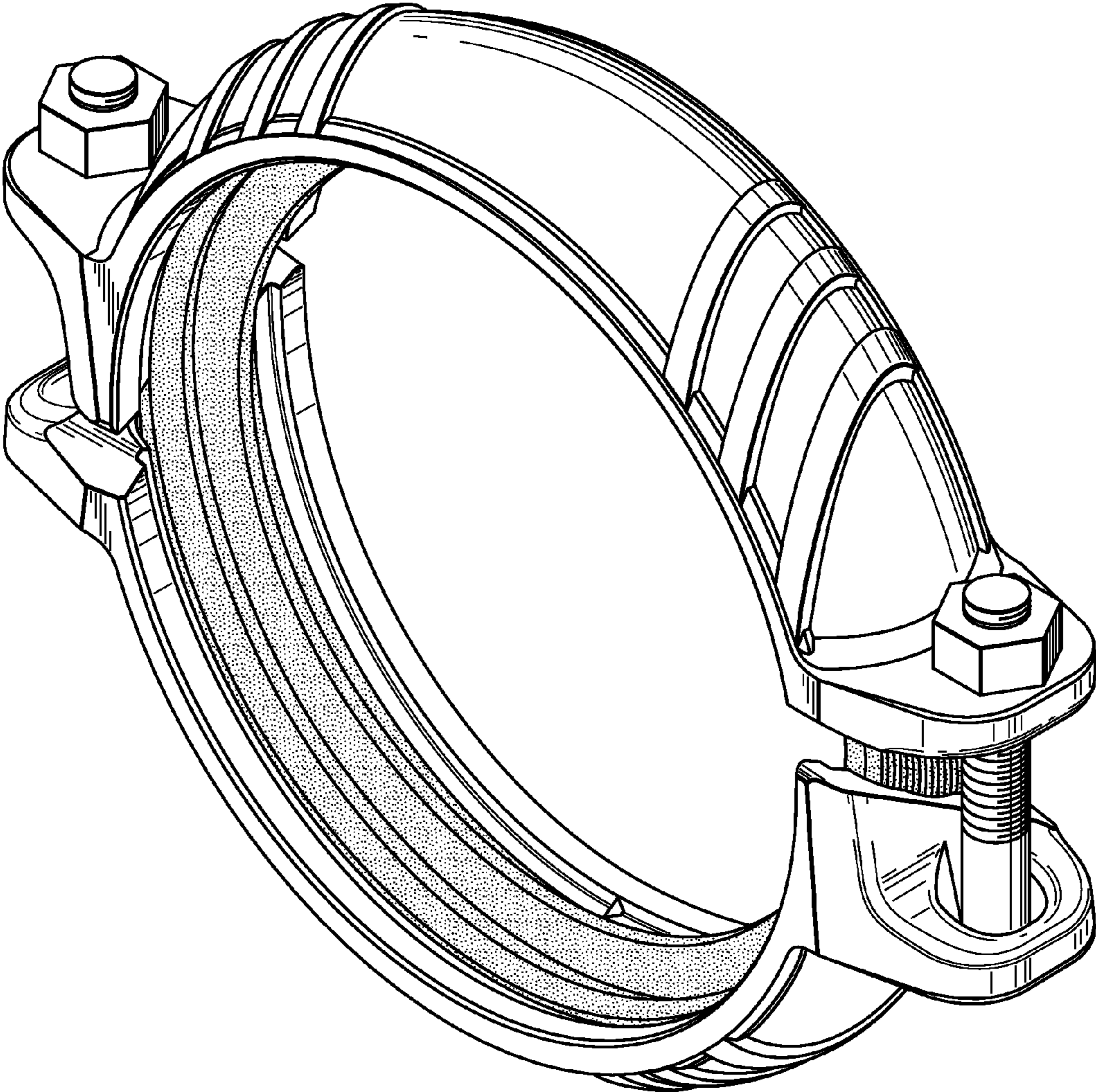
---

## U.S. PATENT DOCUMENTS

2002/0050718 A1 5/2002 Pyron  
2004/0000337 A1 1/2004 Cooper

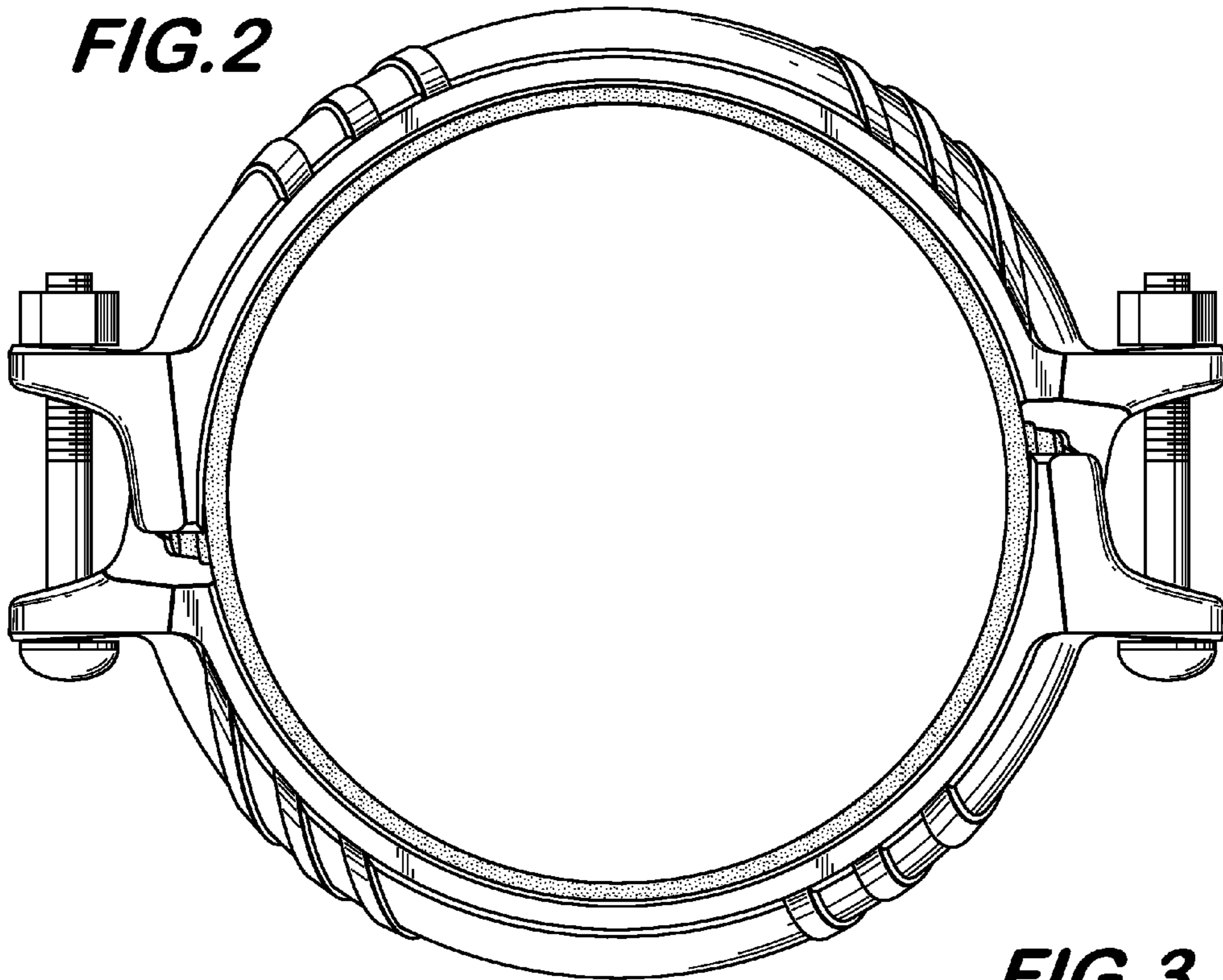
2008/0017589 A1 1/2008 Taylor  
2008/0030026 A1 2/2008 Cho

\* cited by examiner



**FIG. 1**

**FIG.2**

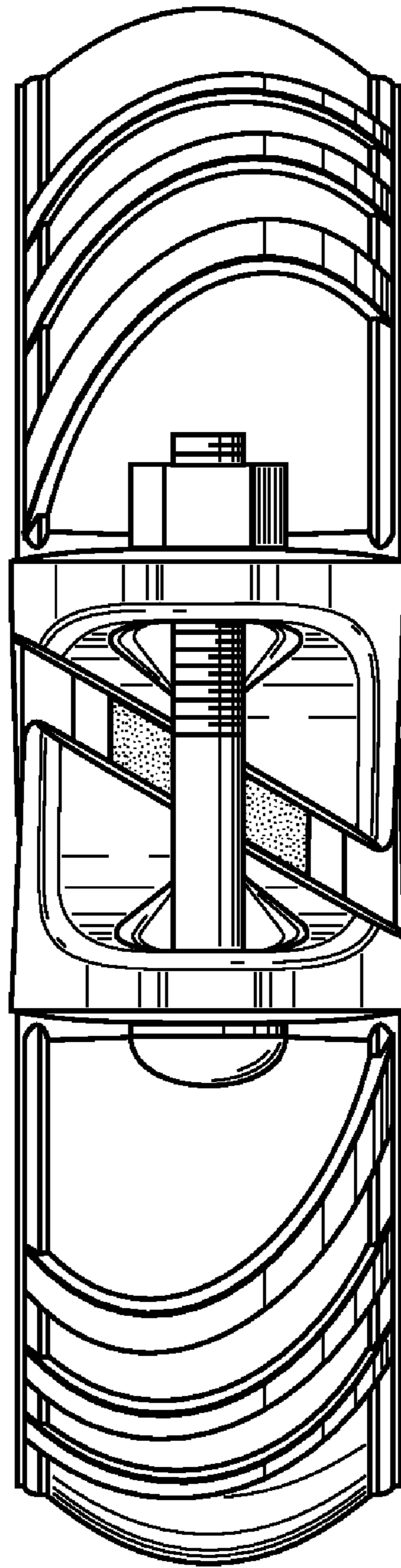


**FIG.3**



**FIG.4**





***FIG. 5***