



US00D629071S

(12) **United States Design Patent**  
**Matsuura et al.**

(10) **Patent No.:** **US D629,071 S**  
(45) **Date of Patent:** **\*\* Dec. 14, 2010**

(54) **SPOUT WITH SENSOR**

D601,667 S \* 10/2009 Schoenherr et al. .... D23/255  
D611,574 S \* 3/2010 Lammel et al. .... D23/257

(75) Inventors: **Touichirou Matsuura**, Aichi (JP);  
**Masaaki Sano**, Aichi (JP); **Nobuaki**  
**Itazu**, Aichi (JP)

FOREIGN PATENT DOCUMENTS

EM 000671029-0009 3/2008  
JP 2003-293408 10/2003

(73) Assignee: **Inax Corporation**, Aichi (JP)

\* cited by examiner

(\*\*) Term: **14 Years**

*Primary Examiner*—Robert A Delehanty

(21) Appl. No.: **29/356,130**

(74) *Attorney, Agent, or Firm*—Hamre, Schumann, Mueller  
& Larson, P.C.

(22) Filed: **Feb. 19, 2010**

(57) **CLAIM**

(30) **Foreign Application Priority Data**

The ornamental design for a spout with sensor, as shown and described.

Oct. 29, 2009 (JP) ..... 2009-025415

(51) **LOC (9) Cl.** ..... **23-01**

(52) **U.S. Cl.** ..... **D23/255**

(58) **Field of Classification Search** ..... D23/238–243,  
D23/255–257; 4/676–678; 137/801  
See application file for complete search history.

**DESCRIPTION**

FIG. 1 is a perspective view of the top, front and right side of a spout with sensor showing our new design;

FIG. 2 is a front view thereof;

FIG. 3 is a rear view thereof;

FIG. 4 is a top plan view thereof;

FIG. 5 is a bottom view thereof; and,

FIG. 6 is a right side view, a left side view being a mirror image thereof.

The broken lines represent the portions of the design that form no part of the claimed design.

(56) **References Cited**

U.S. PATENT DOCUMENTS

D464,121 S \* 10/2002 Storti et al. .... D23/257  
6,691,340 B2 \* 2/2004 Honda et al. .... 4/623  
D581,026 S \* 11/2008 Citterio ..... D23/255  
D581,492 S \* 11/2008 Schonherr et al. .... D23/255  
D589,123 S \* 3/2009 Soulier ..... D23/255  
D593,185 S \* 5/2009 Williams ..... D23/238

**1 Claim, 4 Drawing Sheets**

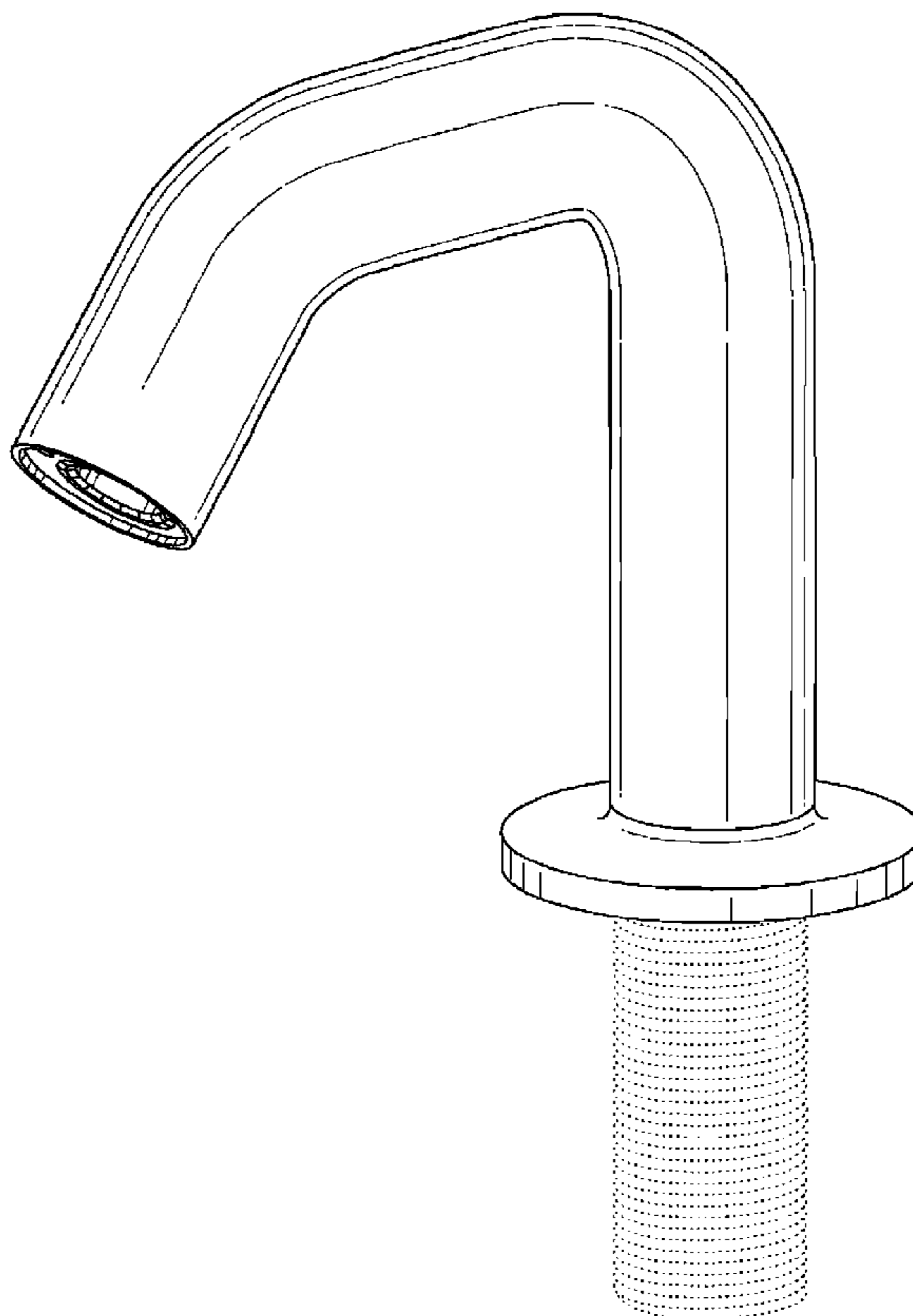


FIG. 1

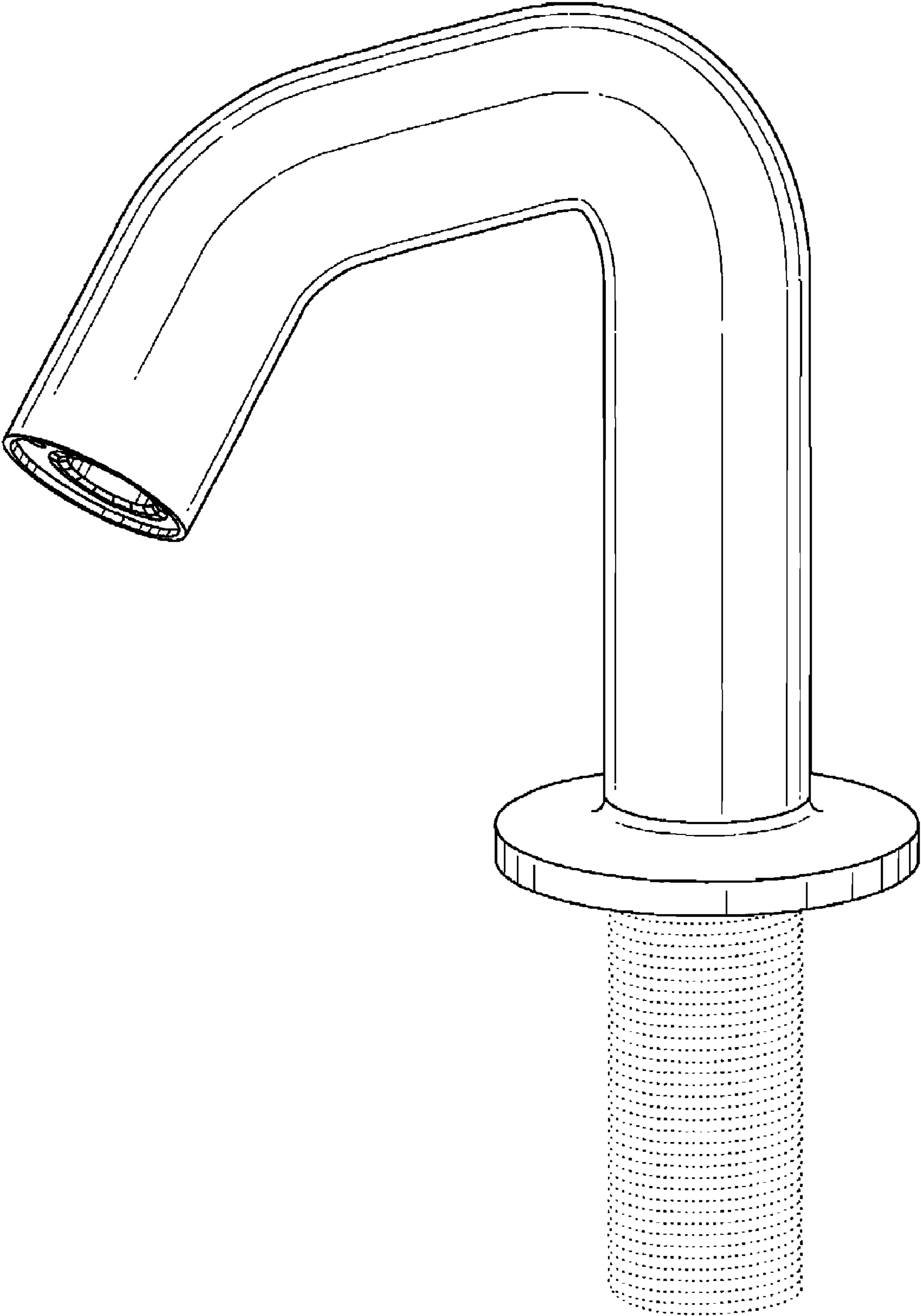


FIG.2

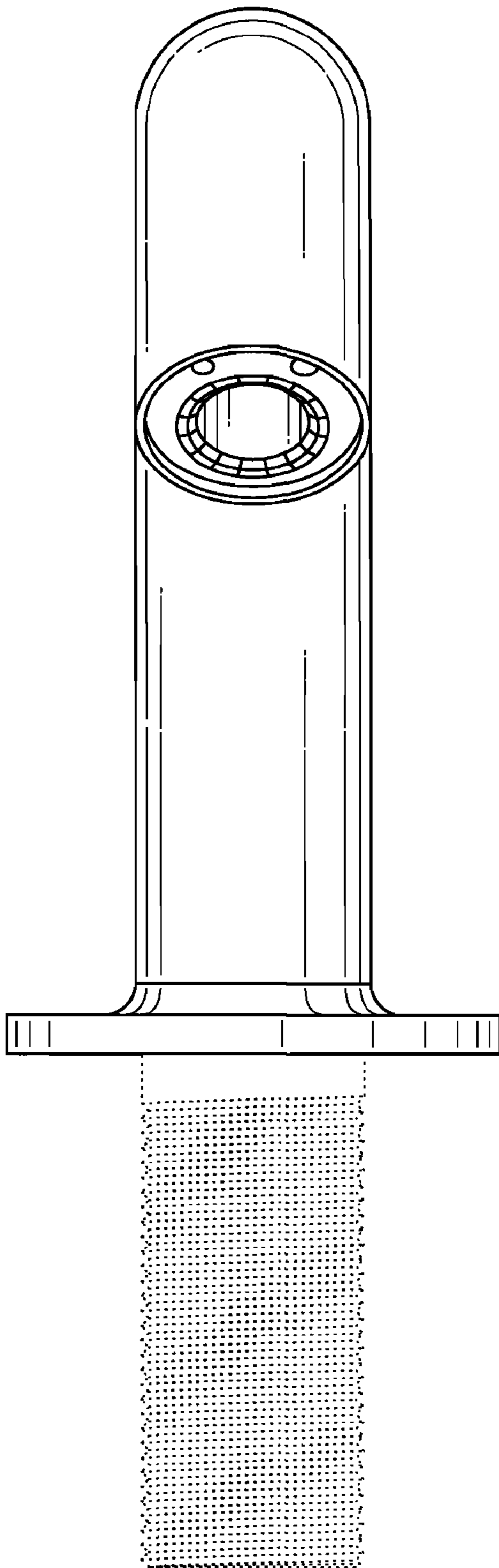


FIG.3

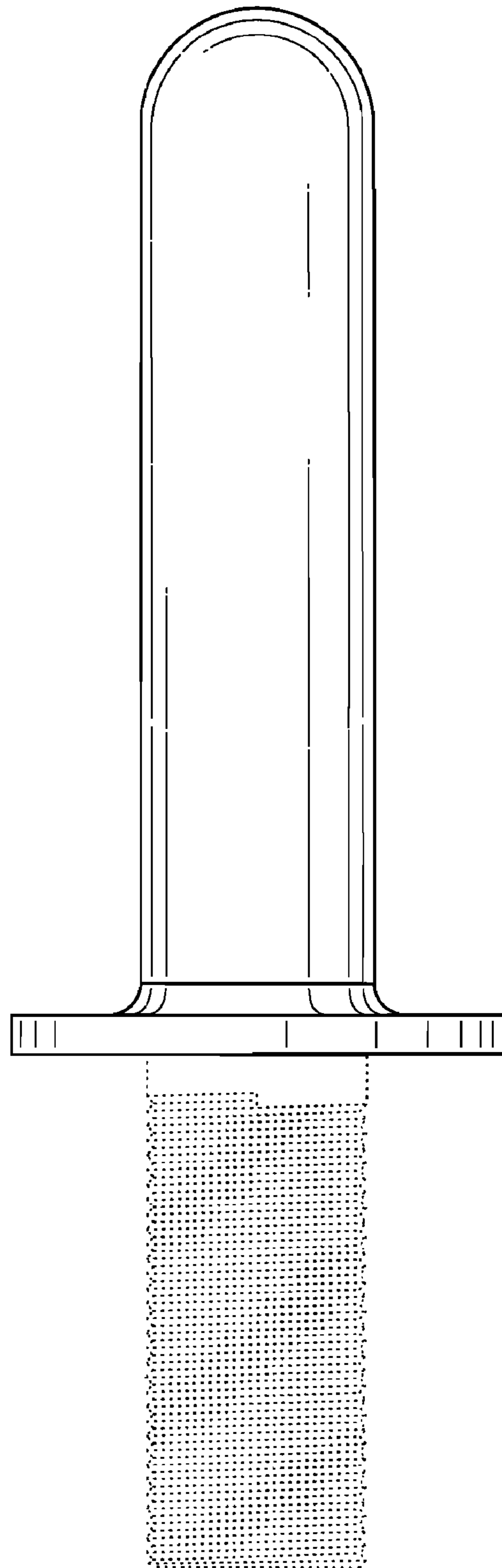


FIG.4

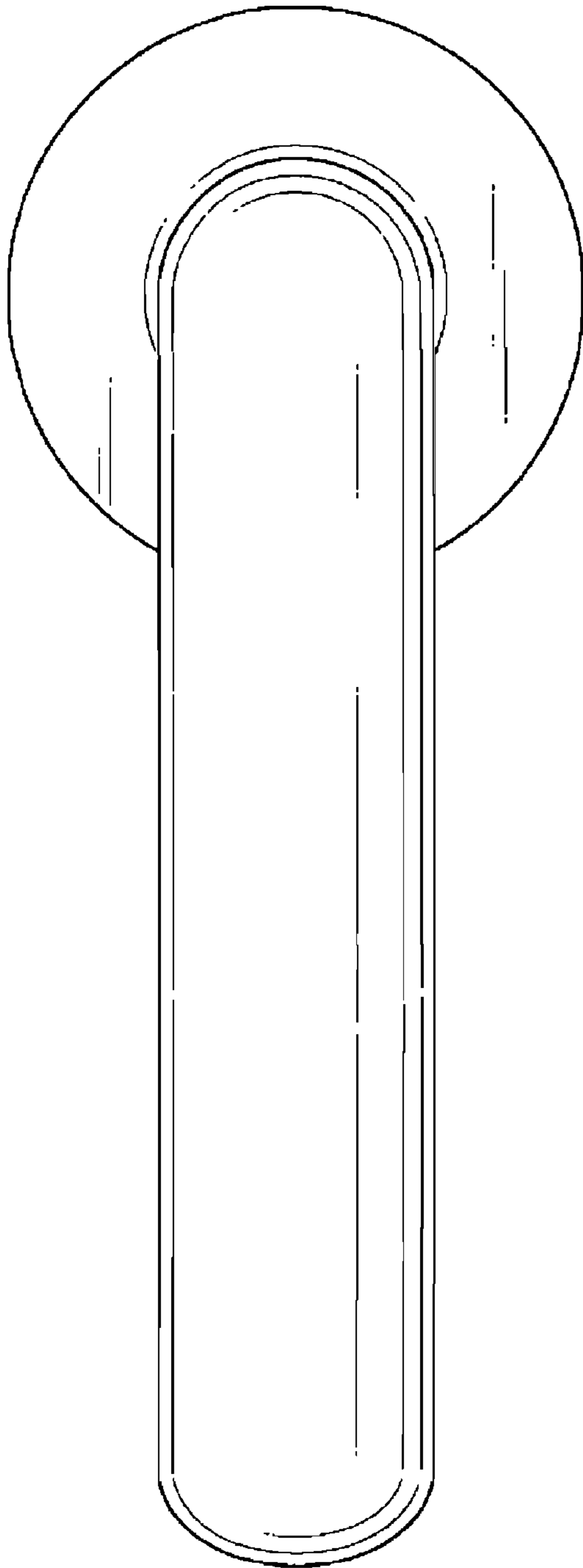


FIG.5

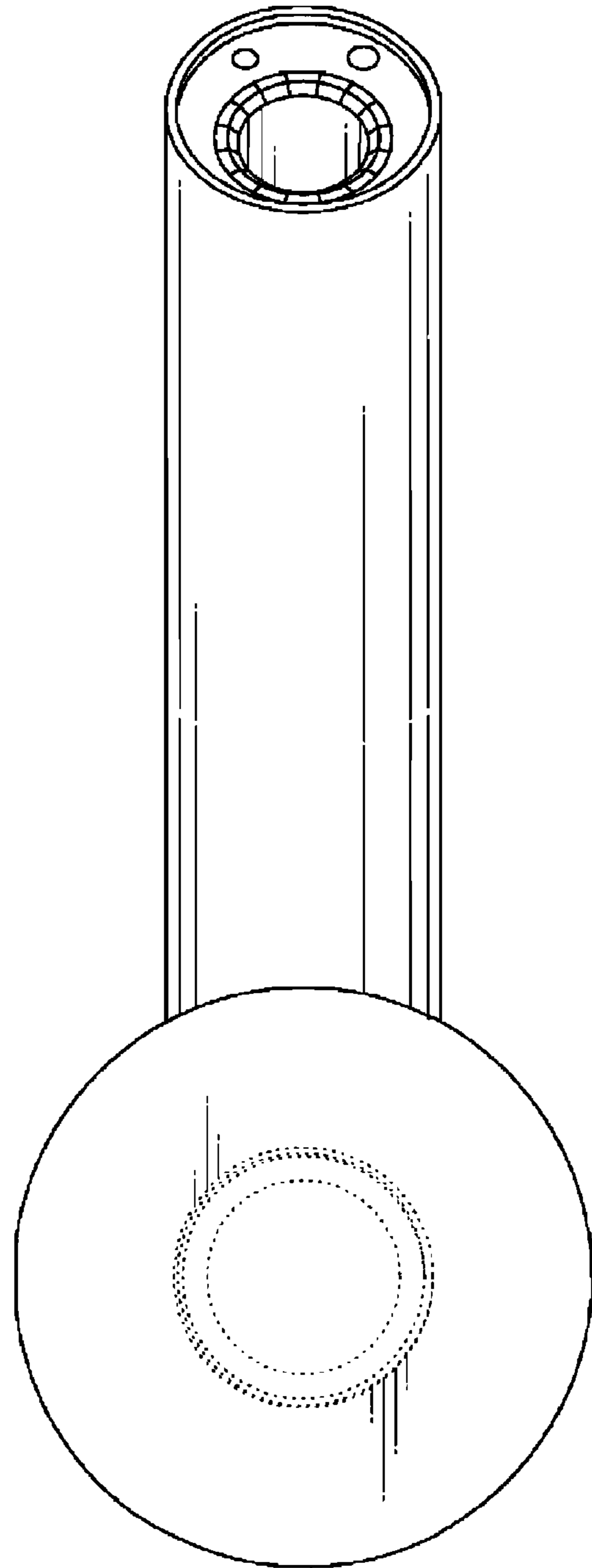


FIG. 6

