



US00D629070S

(12) **United States Design Patent**  
**Hsieh**

(10) **Patent No.:** **US D629,070 S**

(45) **Date of Patent:** **\*\* Dec. 14, 2010**

(54) **FAUCET STRUCTURE**

(75) Inventor: **Yu-Yu Hsieh**, Changhua County (TW)

(73) Assignee: **Deluxe Brassware Co., Ltd.**, Changhua County (TW)

(\*\*) Term: **14 Years**

(21) Appl. No.: **29/356,047**

(22) Filed: **Feb. 18, 2010**

(51) **LOC (9) Cl.** ..... **23-01**

(52) **U.S. Cl.** ..... **D23/253**

(58) **Field of Classification Search** ..... D23/250,  
D23/252, 254, 238-243, 253; 4/676-678;  
138/801

See application file for complete search history.

(56) **References Cited**

**U.S. PATENT DOCUMENTS**

D418,204 S \* 12/1999 Garcia ..... D23/250

D441,055 S \* 4/2001 Fleischmann ..... D23/250

D512,128 S \* 11/2005 Zieger et al. .... D23/250

\* cited by examiner

*Primary Examiner*—Robert A Delehanty

(74) *Attorney, Agent, or Firm*—Muncy, Geissler, Olds & Lowe, PLLC

(57) **CLAIM**

The ornamental design for a faucet structure, as shown and described.

**DESCRIPTION**

FIG. 1 is a perspective view of a faucet structure showing my new design thereof;

FIG. 2 is a front elevational view thereof;

FIG. 3 is a rear elevational view thereof;

FIG. 4 is a left side elevational view thereof;

FIG. 5 is a right side elevational view thereof;

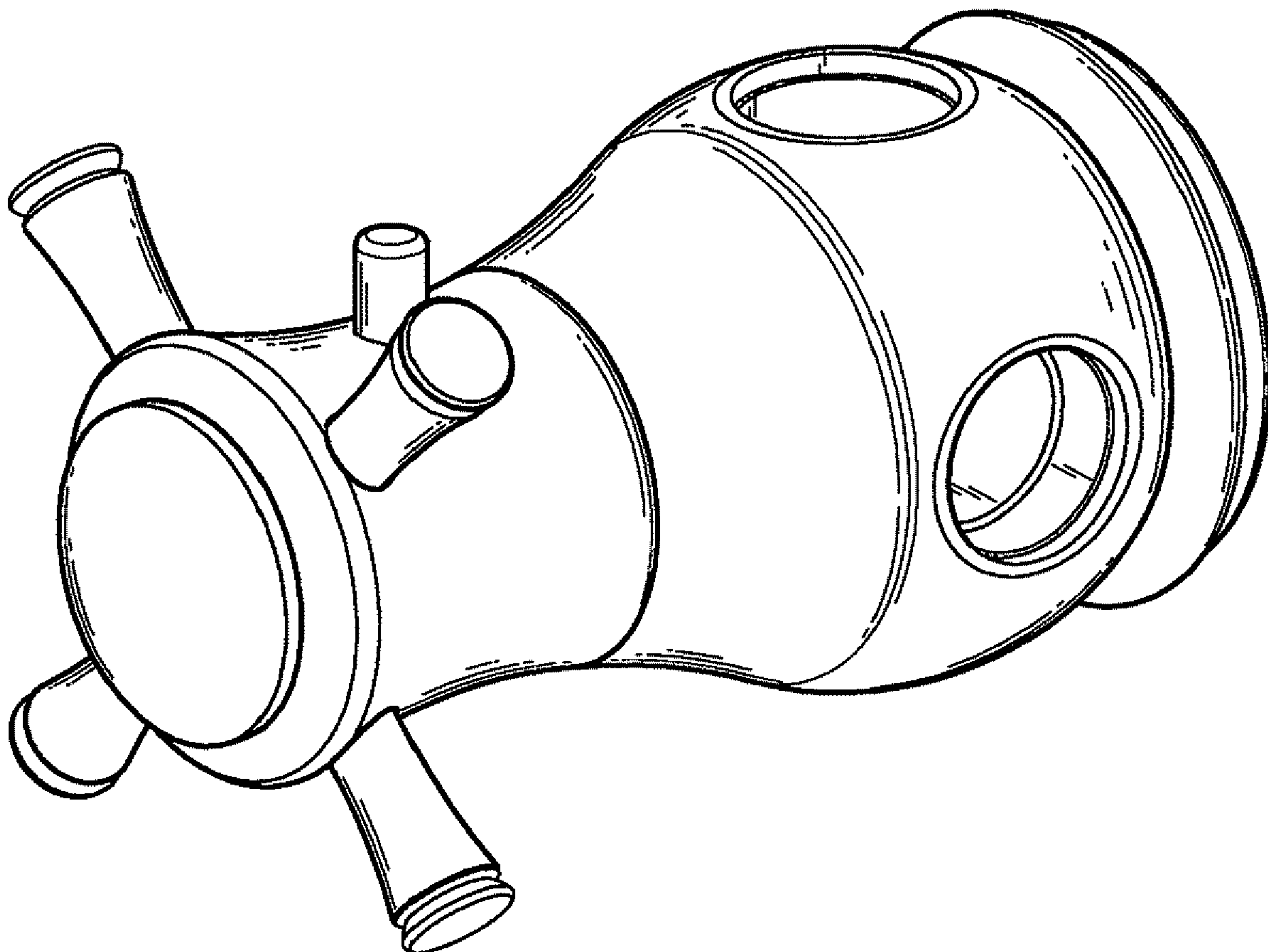
FIG. 6 is a top plan view thereof;

FIG. 7 is a bottom plan view thereof; and,

FIG. 8 is another perspective view thereof.

The broken lines are for environmental purposes only and form no part of the claimed design.

**1 Claim, 5 Drawing Sheets**



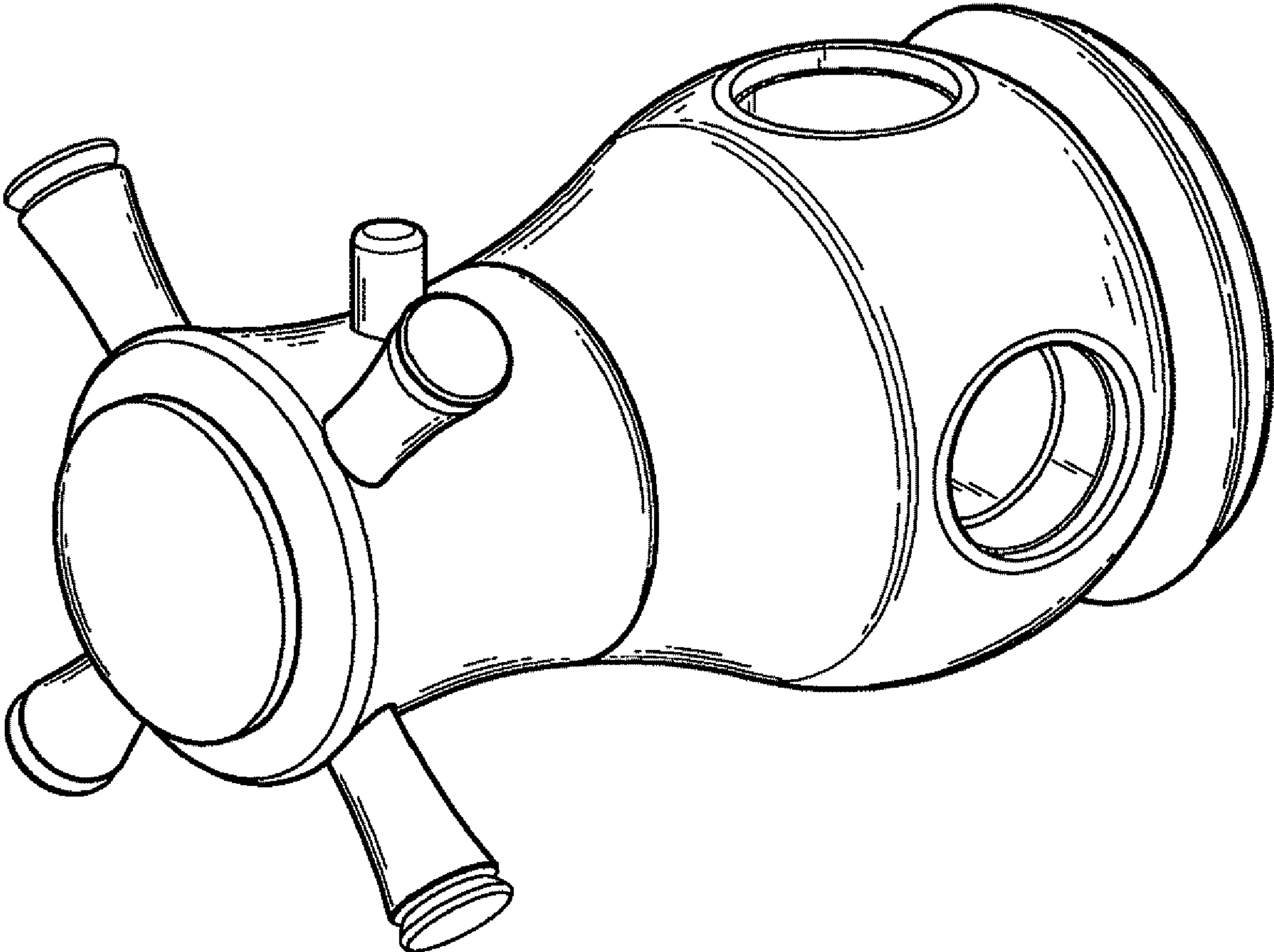


Fig . 1

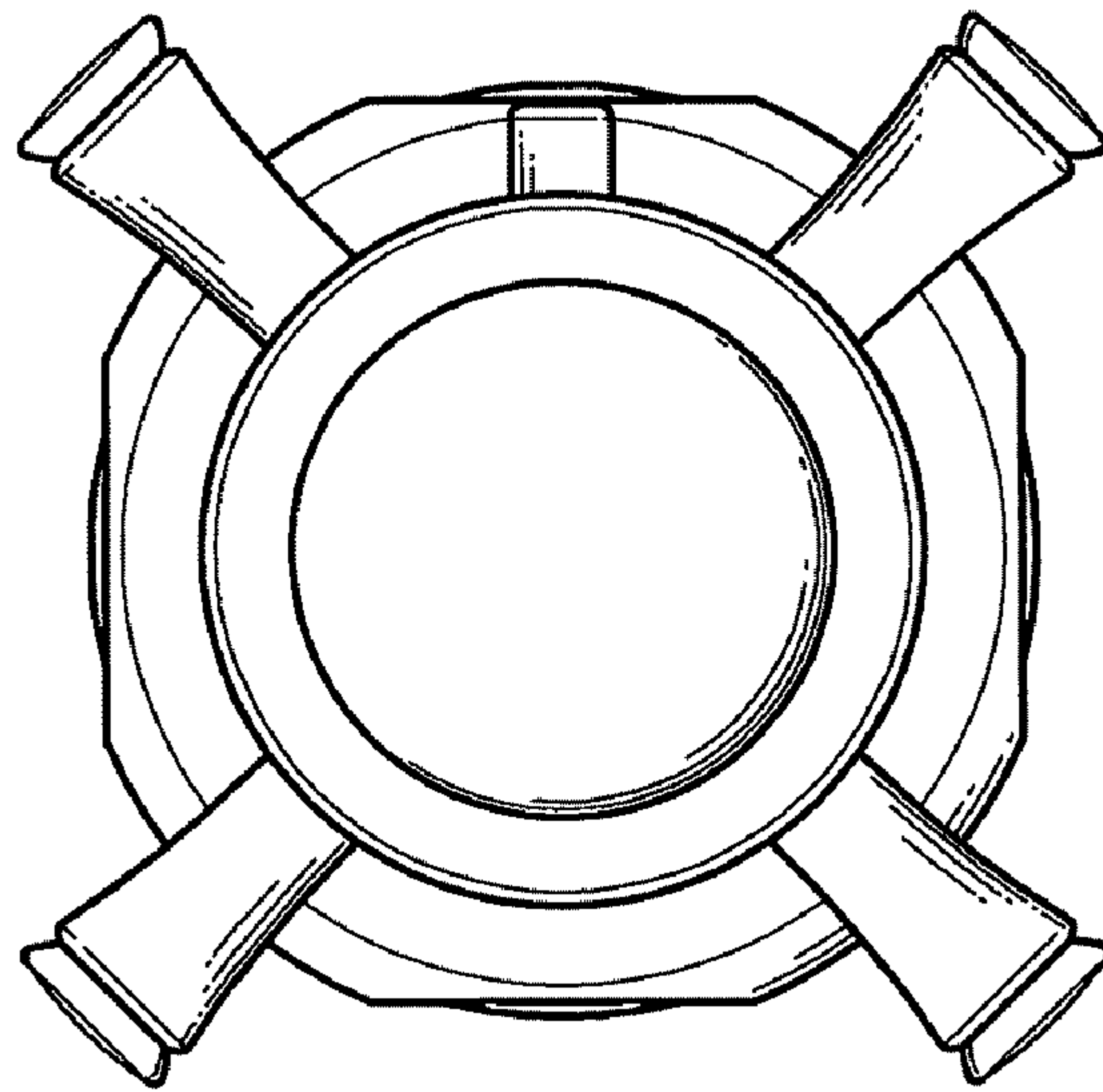


Fig . 2

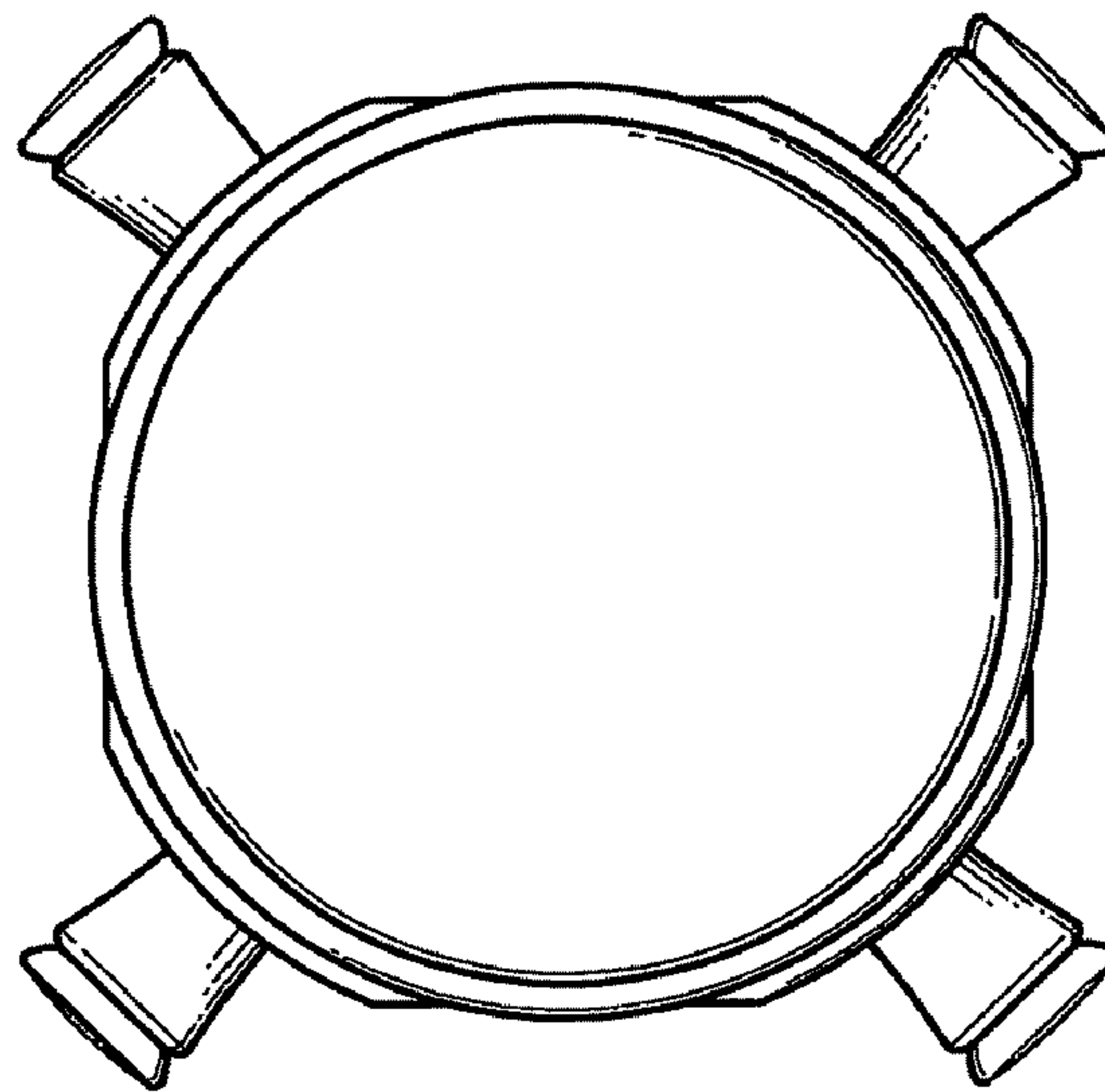


Fig . 3

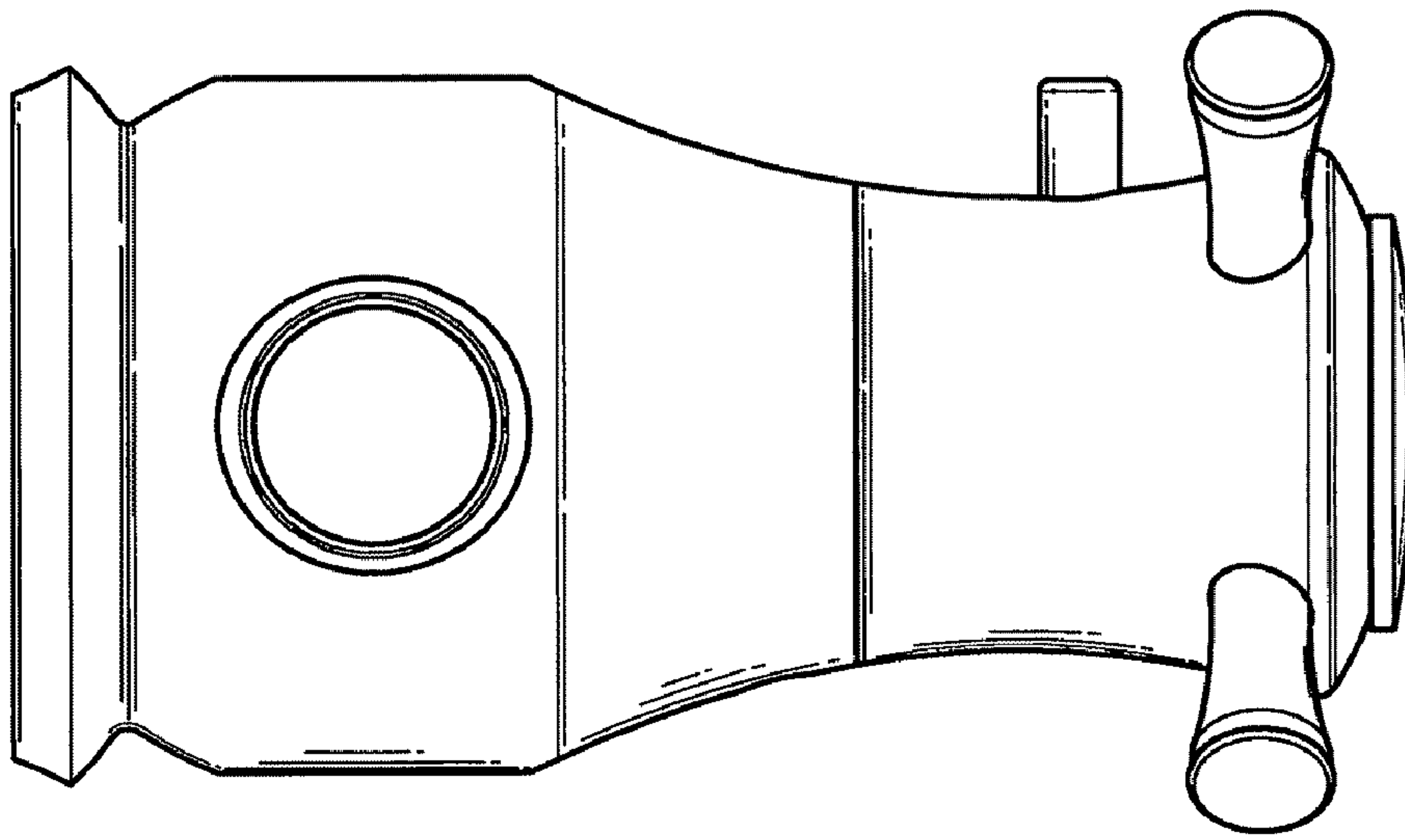


Fig . 4

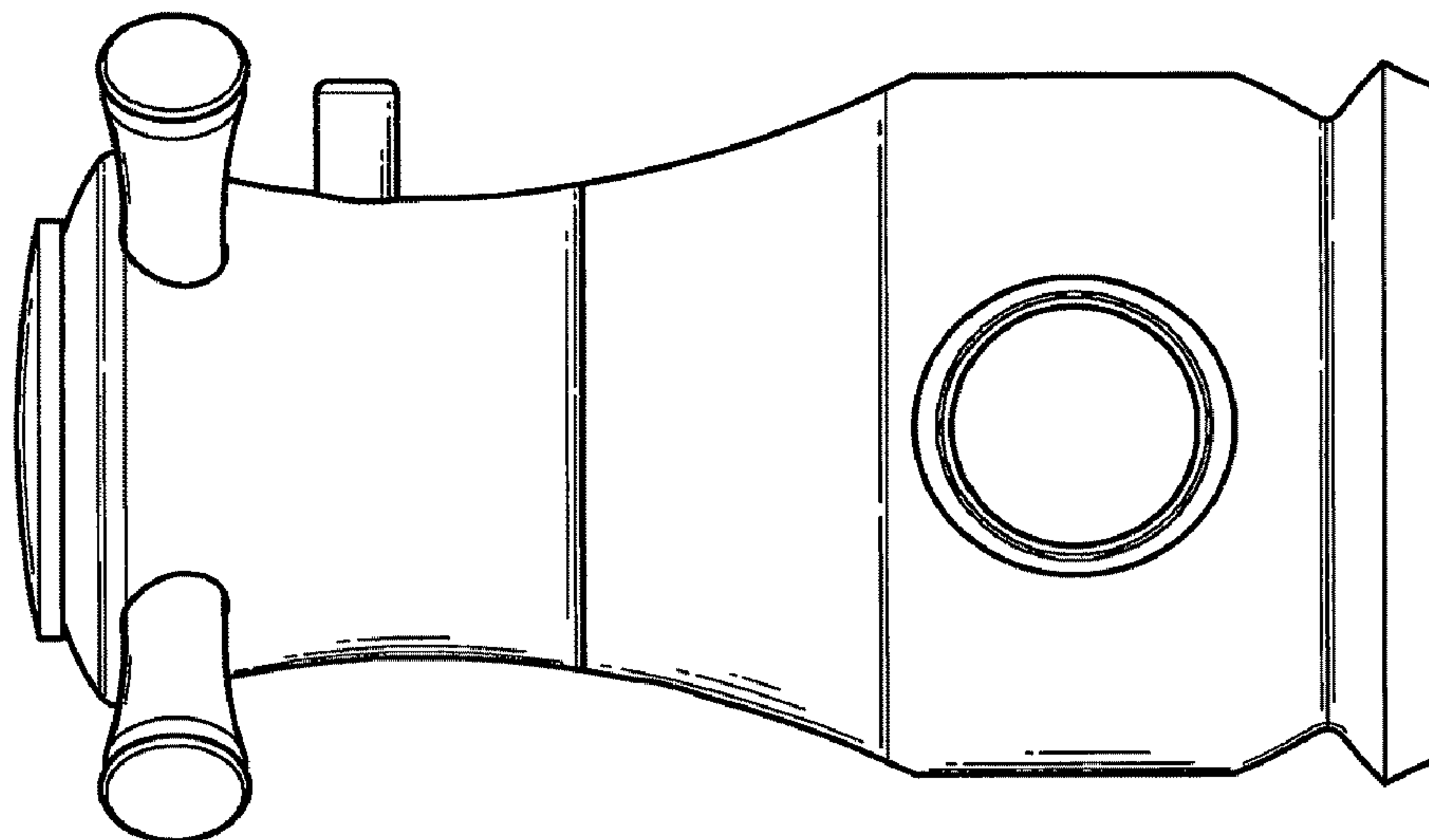


Fig . 5



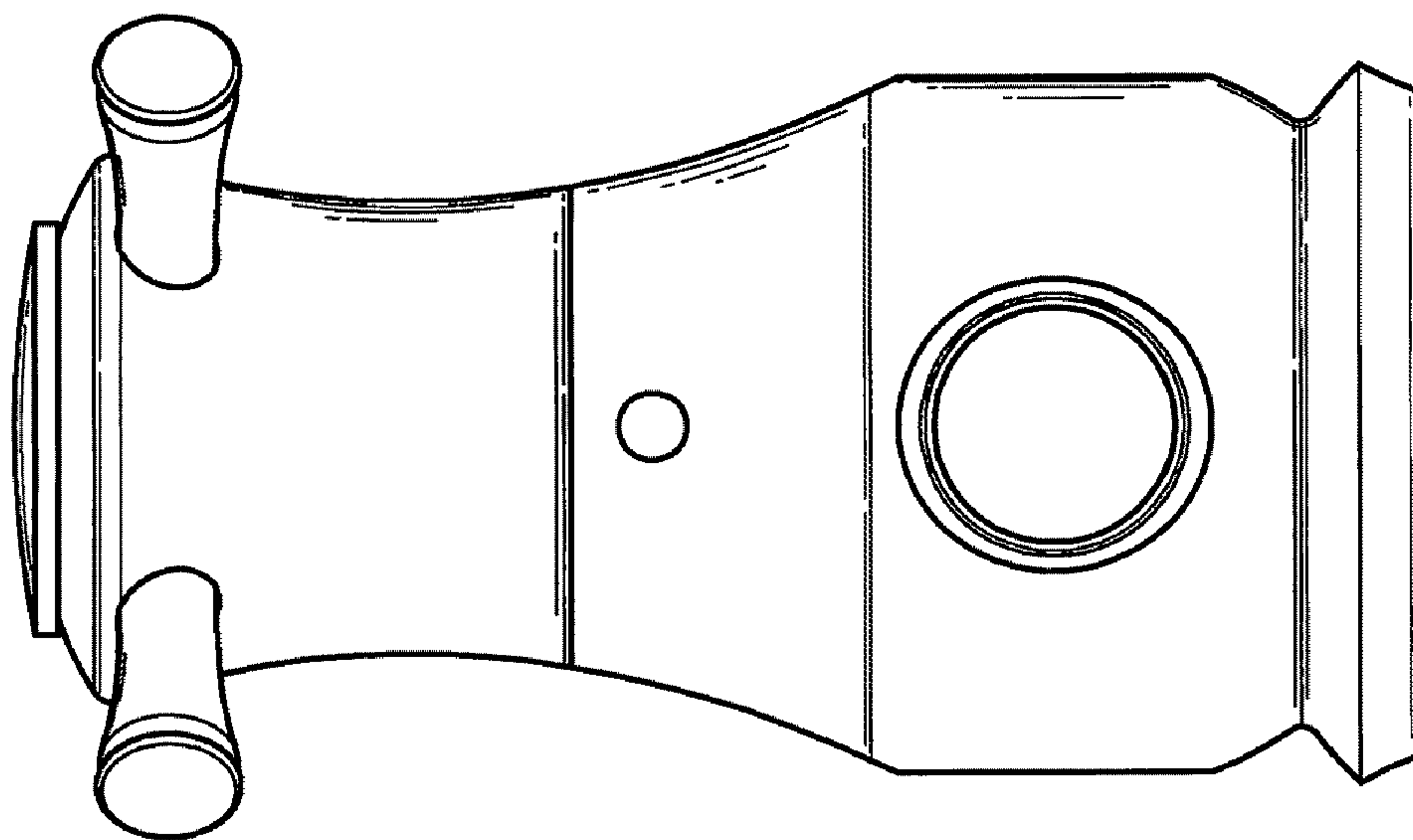


Fig. 7

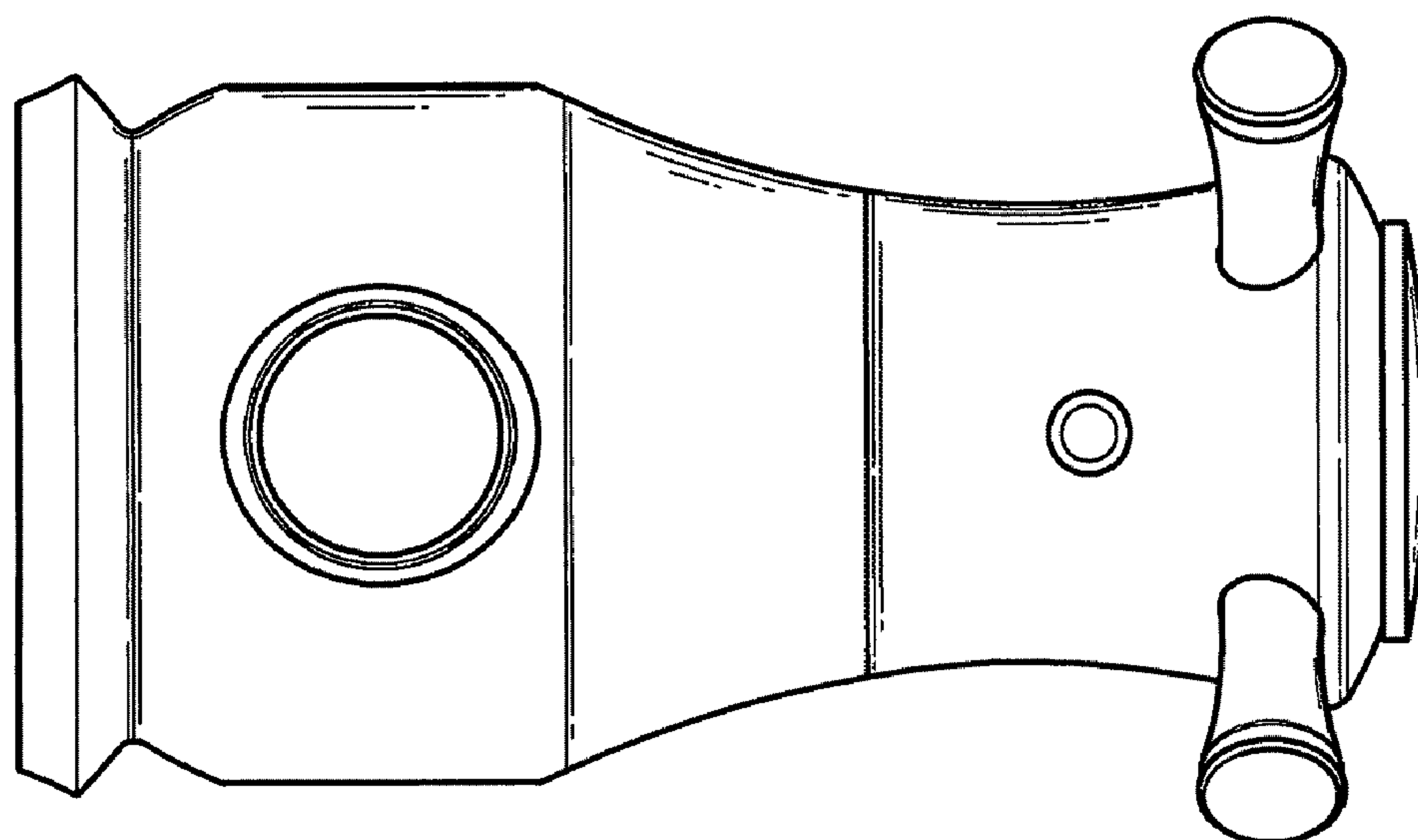


Fig. 6

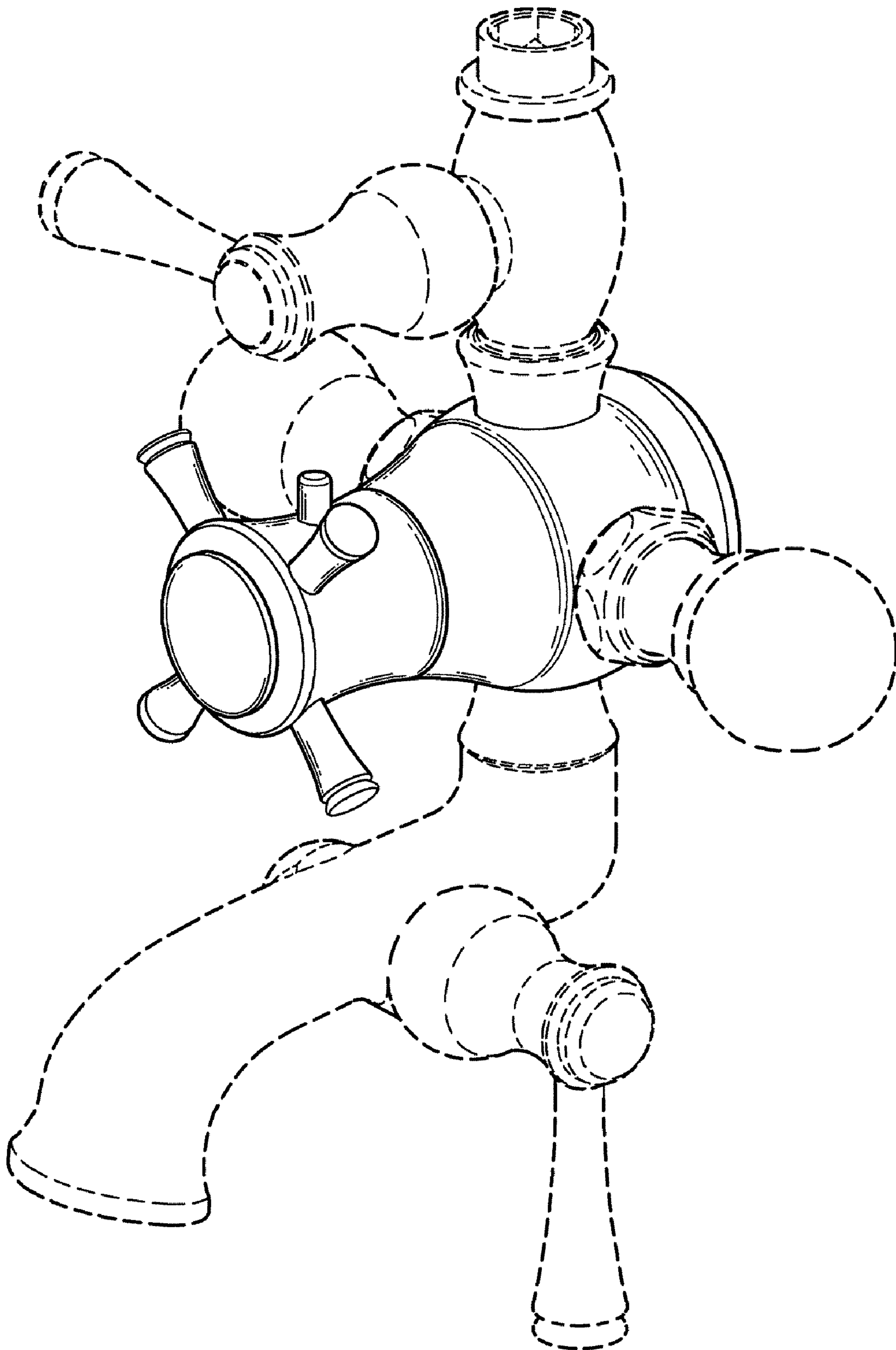


Fig . 8