



US00D629066S

(12) **United States Design Patent**
Thompson

(10) **Patent No.:** **US D629,066 S**

(45) **Date of Patent:** **** Dec. 14, 2010**

(54) **PERSONAL MISTING DEVICE**

(75) Inventor: **Donald Thompson**, Dartmouth (CA)

(73) Assignee: **Way2Cool, Inc.**, Rockville, MD (US)

(**) Term: **14 Years**

(21) Appl. No.: **29/349,734**

(22) Filed: **Apr. 28, 2010**

(51) **LOC (9) Cl.** **23-01**

(52) **U.S. Cl.** **D23/213; D9/682**

(58) **Field of Classification Search** D23/213,
D23/225; D9/682; 222/372, 383.1; 239/333,
239/289

See application file for complete search history.

(56) **References Cited**

U.S. PATENT DOCUMENTS

5,740,948 A * 4/1998 Chu et al. 222/175
5,843,344 A * 12/1998 Junkel et al. 261/28
D512,482 S 12/2005 Utter et al.
7,143,958 B1 * 12/2006 Dorney 239/289

FOREIGN PATENT DOCUMENTS

CN 3010496 10/2009

OTHER PUBLICATIONS

Web page . . . "Mistymate.com/shop/.../Itemid,26/" depicting prior art misting device.

* cited by examiner

Primary Examiner—Robin V Webster

(74) *Attorney, Agent, or Firm*—Andrew C. Aitken

(57) **CLAIM**

The ornamental design for a personal misting device, as shown and described.

DESCRIPTION

FIG. 1 is a perspective view of my new design for a personal misting device;

FIG. 2 is a front view of the new design;

FIG. 3 is a rear view of the new design;

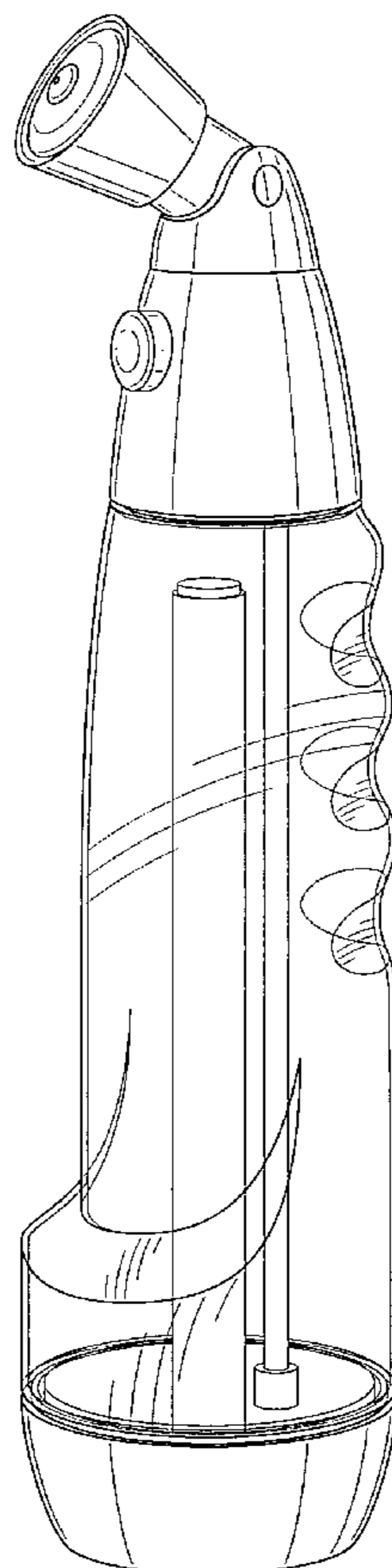
FIG. 4 is a left side view of the new design;

FIG. 5 is a right side view of the new design;

FIG. 6 is a top view of the new design; and,

FIG. 7 is a bottom view of the new design.

1 Claim, 6 Drawing Sheets



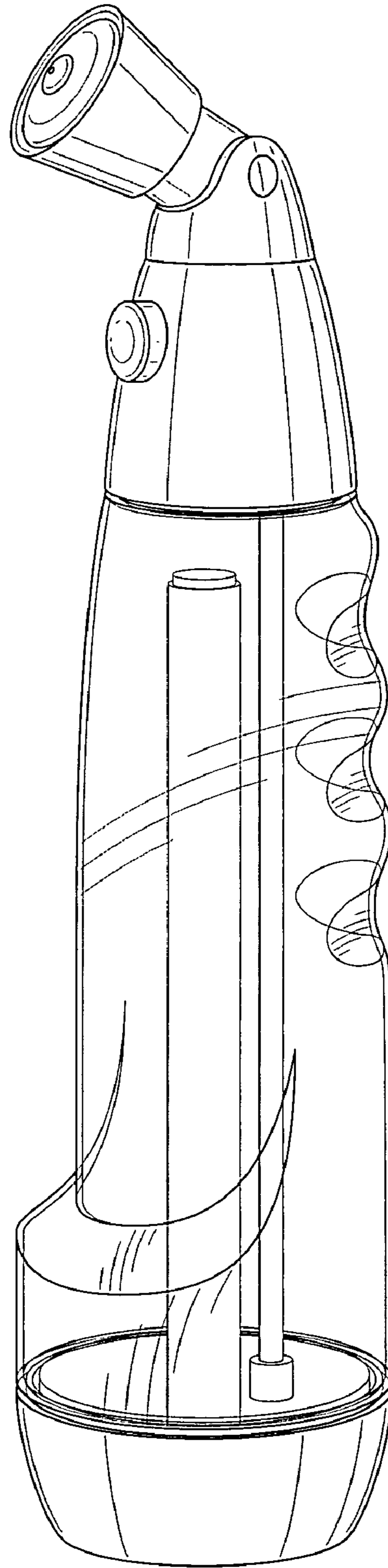


FIG. 1

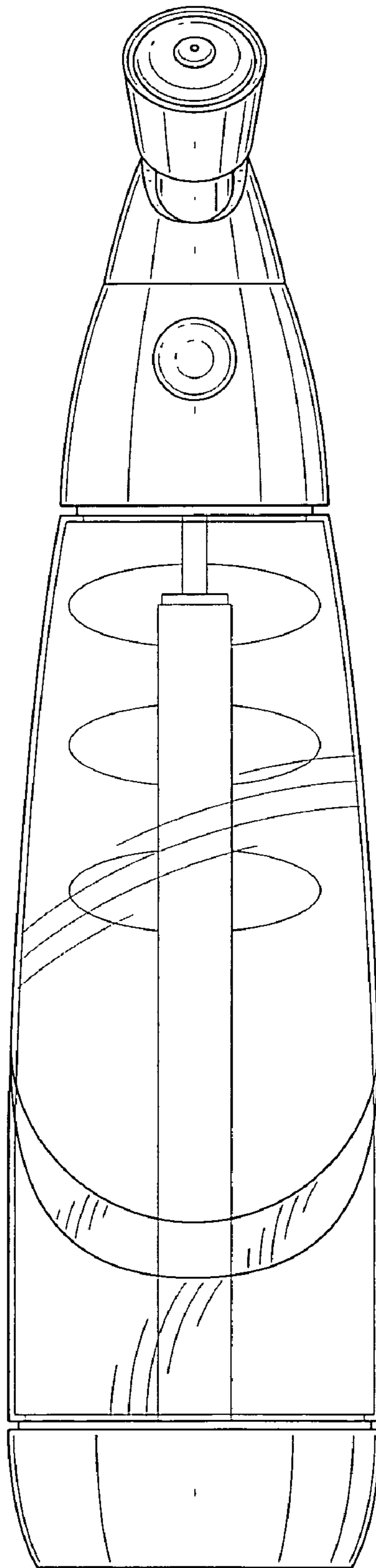


FIG. 2

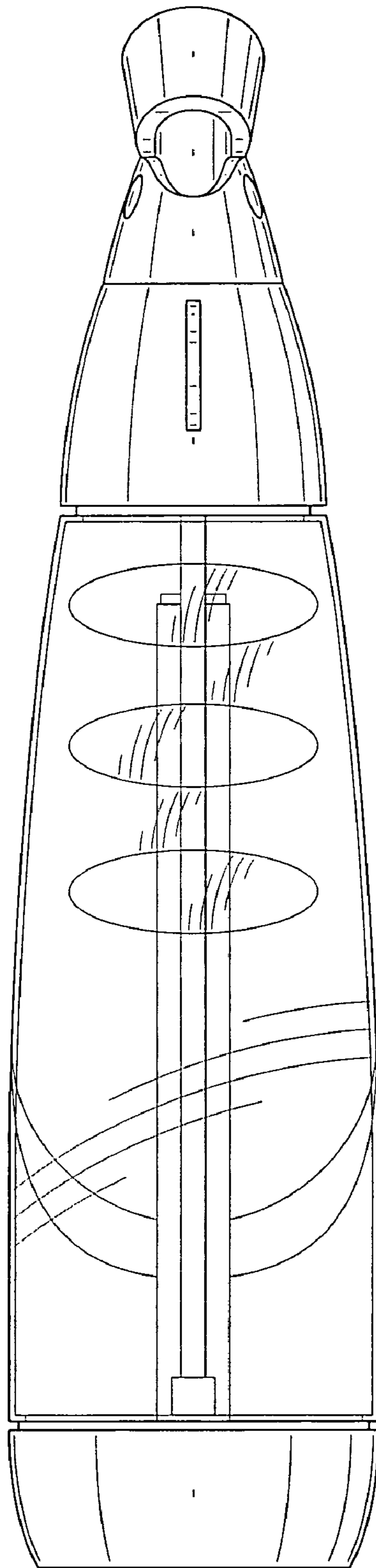


FIG. 3

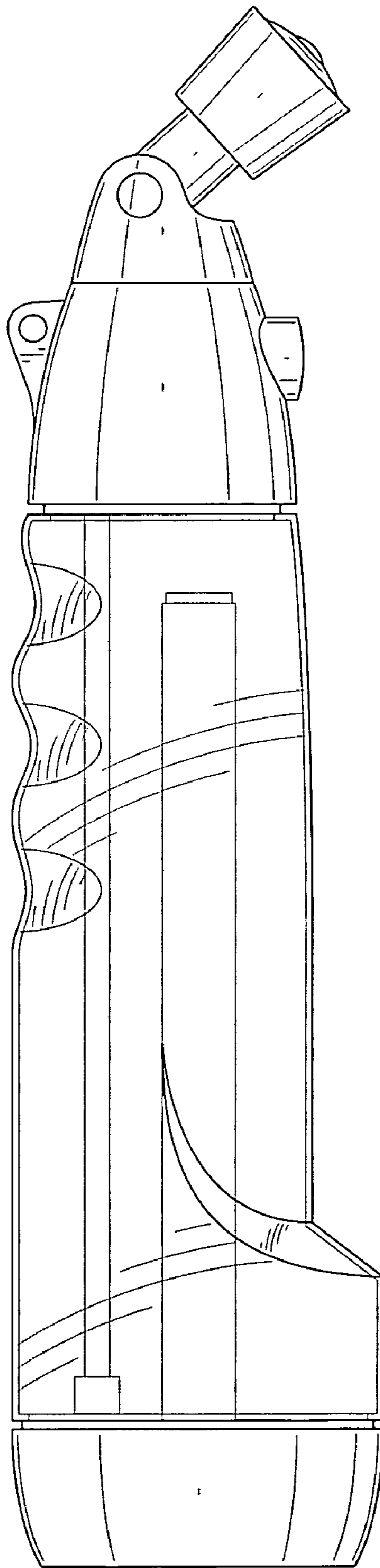


FIG. 4

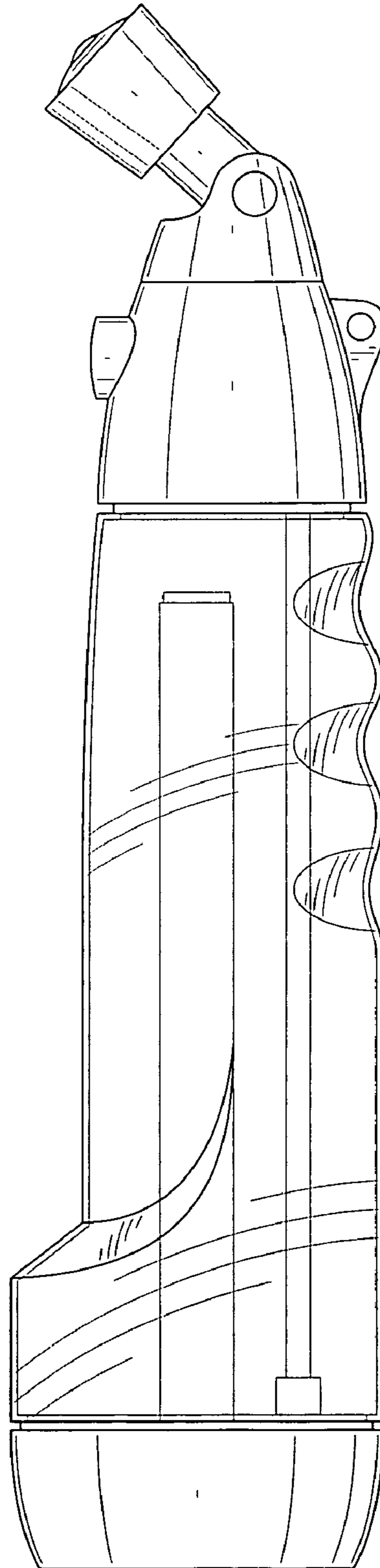


FIG. 5

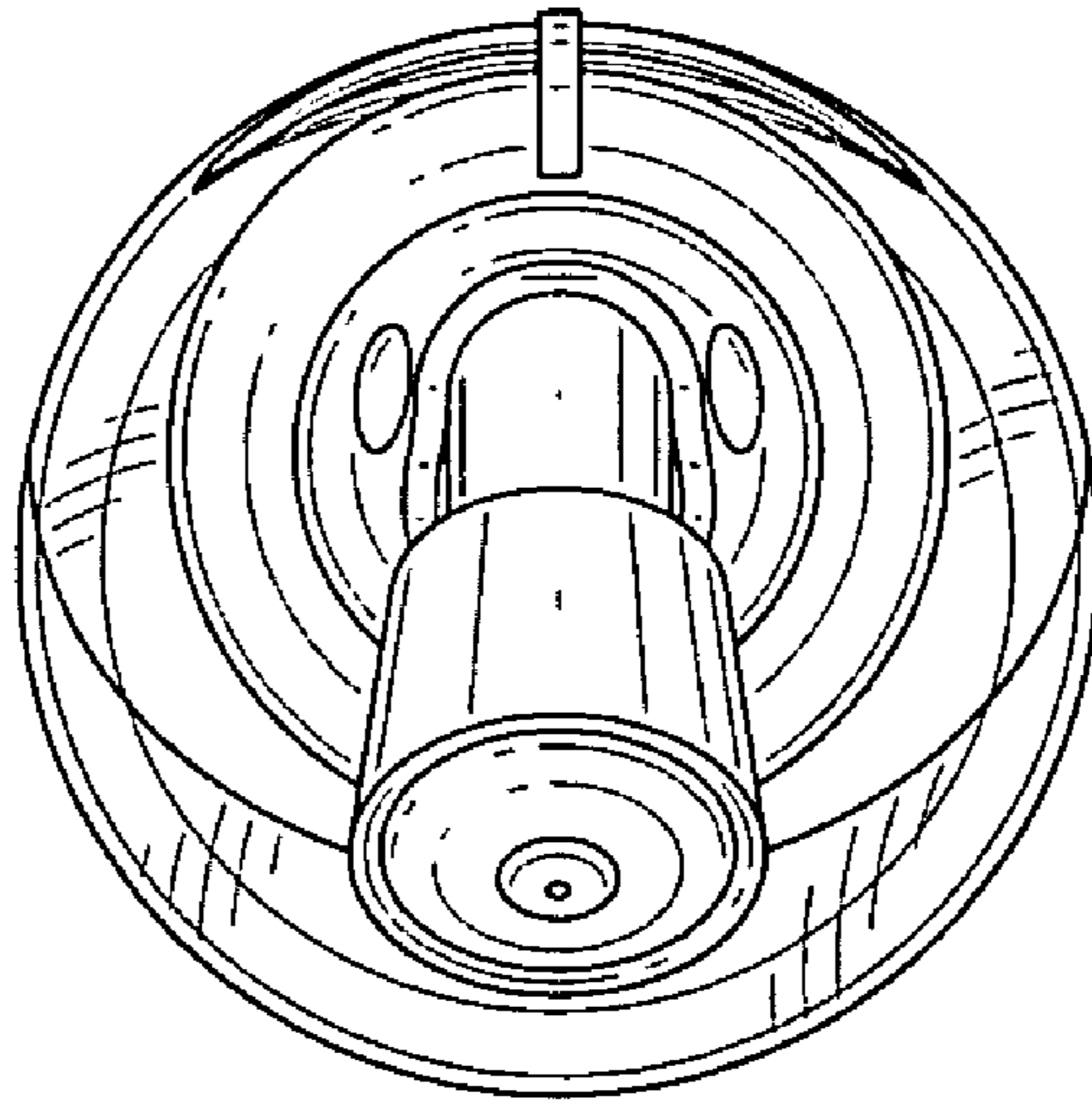


FIG. 6

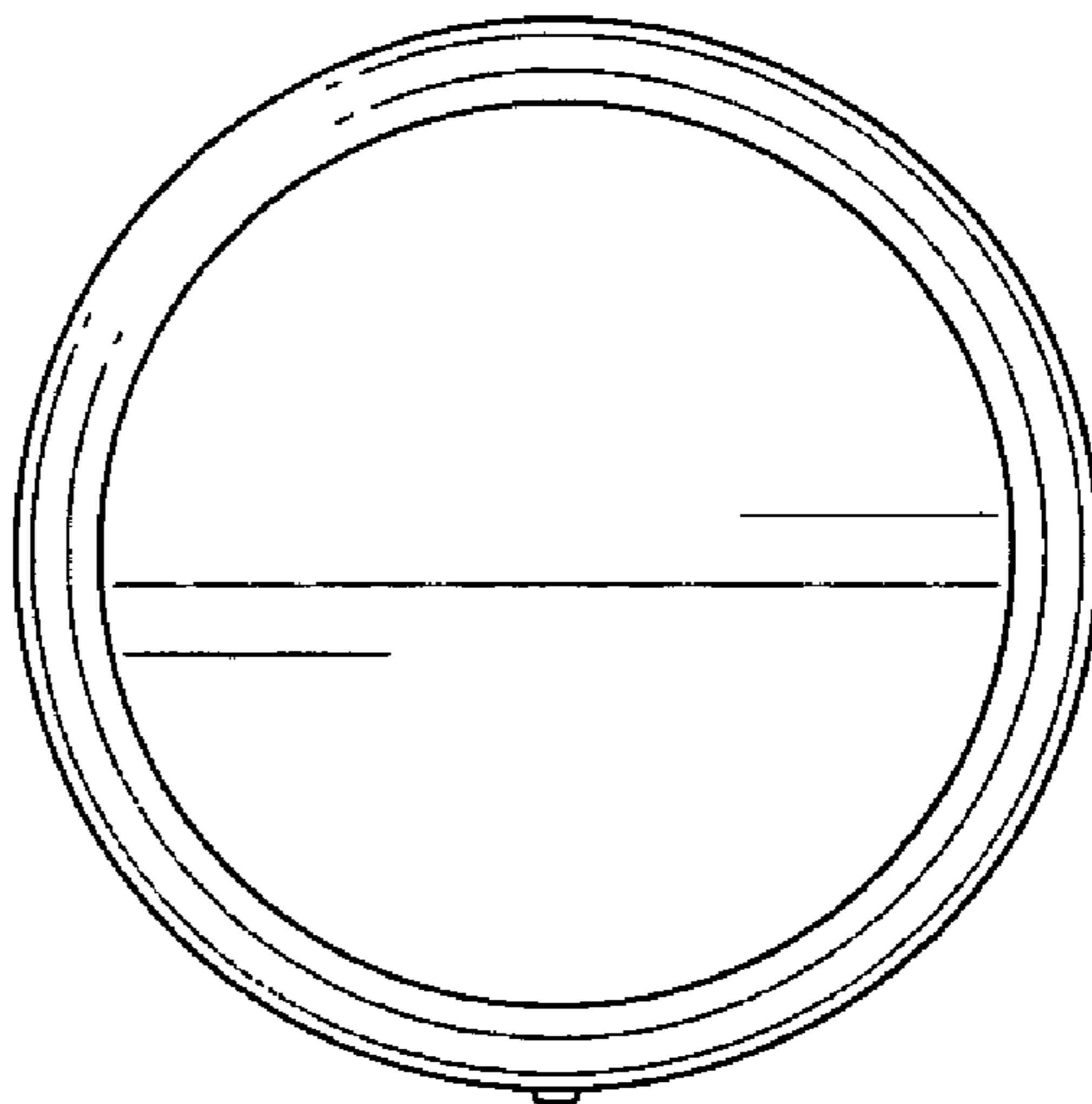


FIG. 7