



US00D629064S

(12) **United States Design Patent**
Riley

(10) **Patent No.:** **US D629,064 S**

(45) **Date of Patent:** **** Dec. 14, 2010**

(54) **ARCHERY STAND**

(76) Inventor: **Jerry A. Riley**, 141 Camp Parkman Rd.,
Phenix City, AL (US) 36869

(**) Term: **14 Years**

(21) Appl. No.: **29/358,870**

(22) Filed: **Apr. 1, 2010**

(51) **LOC (9) Cl.** **22-01**

(52) **U.S. Cl.** **D22/107**

(58) **Field of Classification Search** D22/100,
D22/108, 199; D8/1, 380, 381; D6/329,
D6/396, 417, 552, 553, 567; 42/94; 89/37.04;
211/13.1, 49.1, 60.1, 64, 70.5, 86.01, 87.01,
211/88.01, 89.01, 181.1, 560; 248/121, 175,
248/200, 302, 304, 309.1, 310, 312
See application file for complete search history.

(56) **References Cited**

U.S. PATENT DOCUMENTS

2,275,870	A *	3/1942	Sheldon	211/85.7
3,361,265	A *	1/1968	Wernimont	211/64
3,584,820	A *	6/1971	Butcher, Sr.	248/122.1
D286,591	S *	11/1986	Russell	D6/417
D314,287	S *	2/1991	Albright, Sr.	D6/417
D335,994	S *	6/1993	Cude, Jr.	D6/552
D345,272	S *	3/1994	Kelsoe	D6/552
D345,660	S *	4/1994	Mobley	D6/417
D358,628	S *	5/1995	Lenort	D22/108
D363,849	S *	11/1995	Bruns et al.	D6/552
D379,399	S *	5/1997	Reinaker	D22/113
5,655,803	A *	8/1997	Tacoronte	294/1.1
D389,688	S *	1/1998	Iacono	D6/552
5,775,313	A *	7/1998	Bresette et al.	124/86
5,779,120	A *	7/1998	Morford	224/571
D397,403	S *	8/1998	Zebbedies	D22/108
D398,949	S *	9/1998	Franks	D22/108
D400,612	S *	11/1998	Rubin	D21/796
5,913,667	A *	6/1999	Smilee	42/94
5,913,668	A *	6/1999	Messer	42/94
D422,333	S *	4/2000	Foster et al.	D22/107
D427,658	S *	7/2000	Tucker	D22/109
D428,962	S *	8/2000	Morford	D22/108
6,129,252	A *	10/2000	Jackson et al.	224/406

D435,885	S *	1/2001	Wallace	D22/110
6,206,261	B1 *	3/2001	McCrary	224/562
6,295,976	B1 *	10/2001	Runde	124/86
D476,714	S *	7/2003	Meinzer	D22/109
6,742,687	B2 *	6/2004	Morford	224/551
6,931,777	B1 *	8/2005	Krien	42/94
7,290,821	B1 *	11/2007	McCann et al.	296/40
D604,077	S *	11/2009	Cardenas	D6/552
D604,078	S *	11/2009	Cardenas	D6/552
D616,686	S *	6/2010	Souza	D6/552
2003/0094495	A1 *	5/2003	Knowles et al.	235/462.14
2006/0201898	A1 *	9/2006	Hughes	211/64
2006/0213109	A1 *	9/2006	Zunker	43/21.2
2007/0013478	A1 *	1/2007	Crigger et al.	340/5.53

* cited by examiner

Primary Examiner—T. Chase Nelson

Assistant Examiner—Michael A Pratt

(74) *Attorney, Agent, or Firm*—Kenneth M. Bush; Bush
Intellectual Property Law

(57) **CLAIM**

I claim the ornamental design for an archery stand, as shown
and described.

DESCRIPTION

FIG. 1 is a front perspective view of an archery stand showing
my new design;

FIG. 2 is a rear perspective view thereof;

FIG. 3 is a front elevational view thereof;

FIG. 4 is a rear elevational view thereof;

FIG. 5 is a left side elevational view thereof;

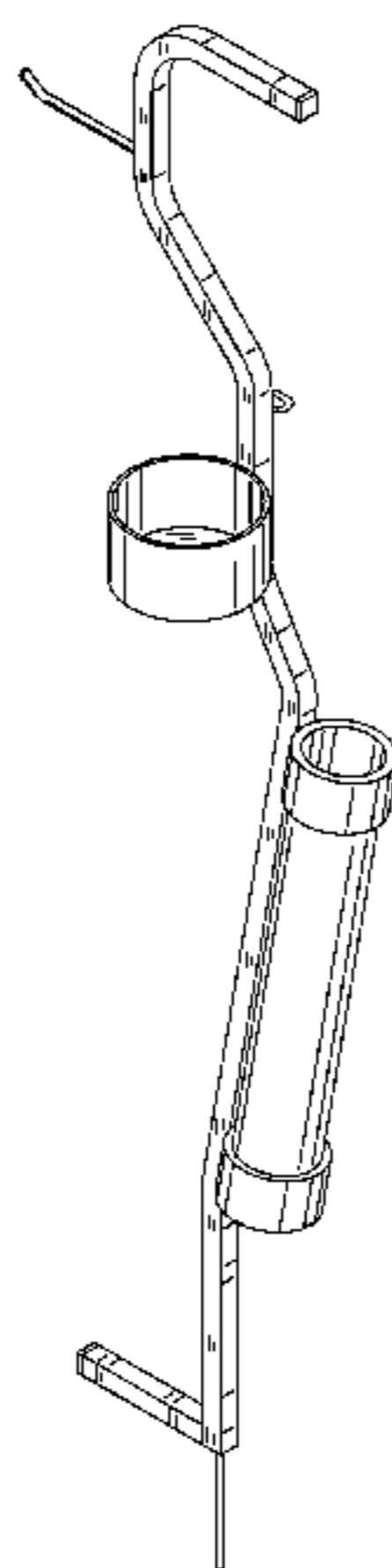
FIG. 6 is a right side elevational view thereof;

FIG. 7 is a top plan view thereof;

FIG. 8 is a bottom plan view thereof; and,

FIG. 9 is a front perspective view thereof with a bow and
arrows shown in broken lines, wherein the broken lines are for
illustrative purposes only and form no part of the claimed
design.

1 Claim, 4 Drawing Sheets



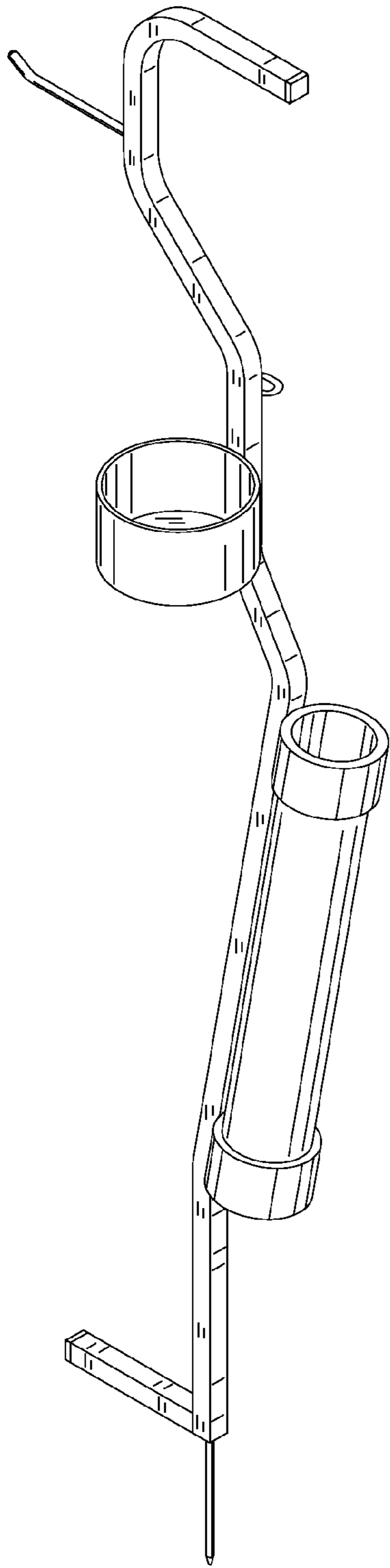


FIG. 1

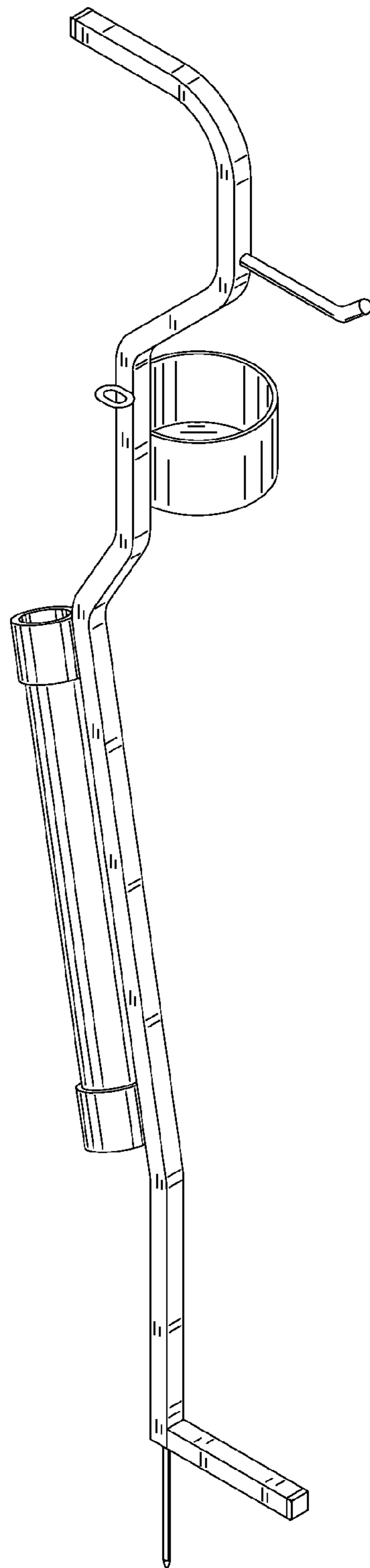


FIG. 2

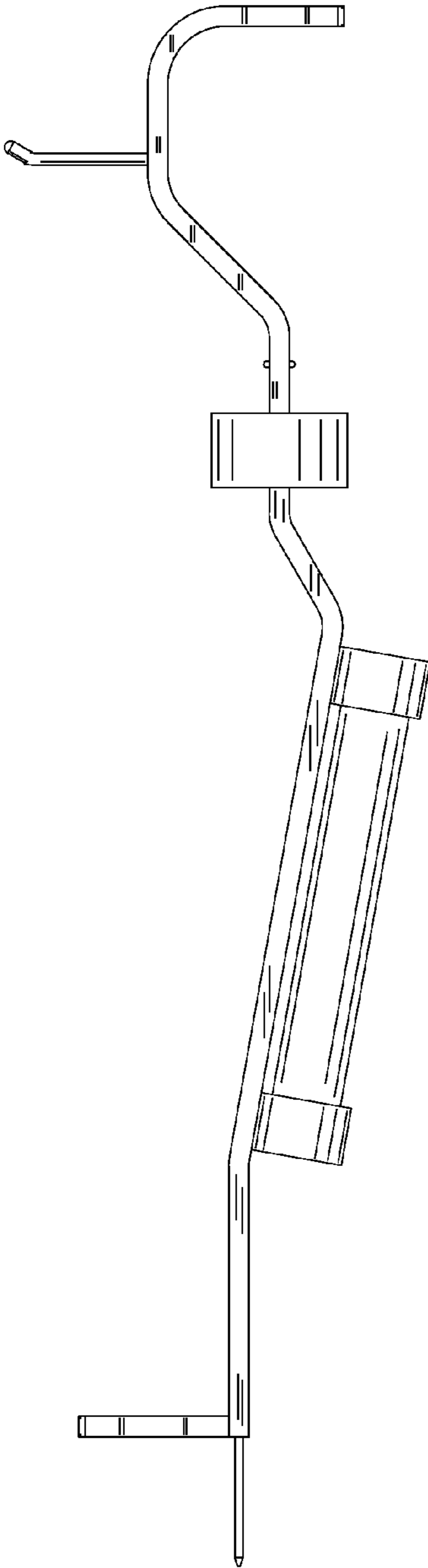


FIG. 3

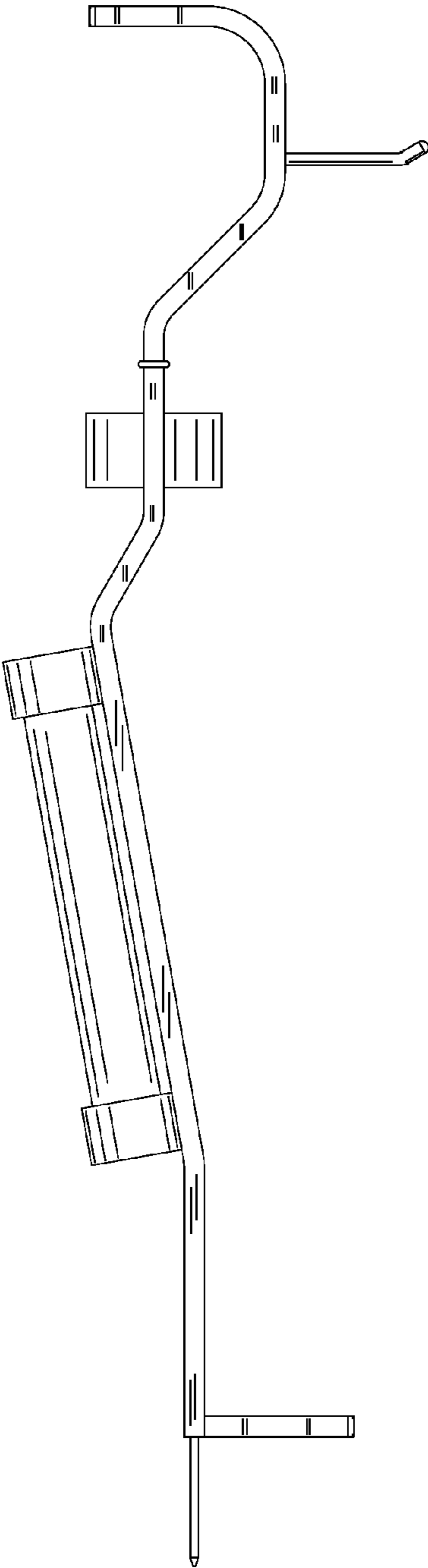


FIG. 4

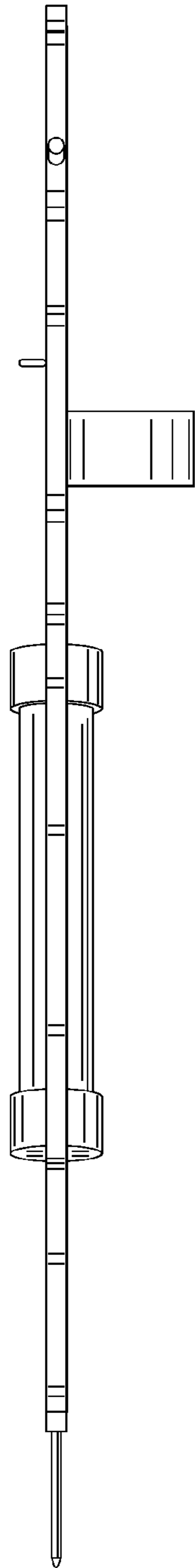


FIG. 5

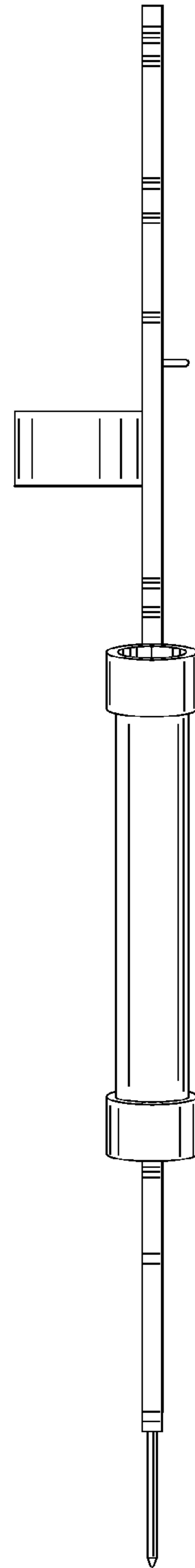


FIG. 6

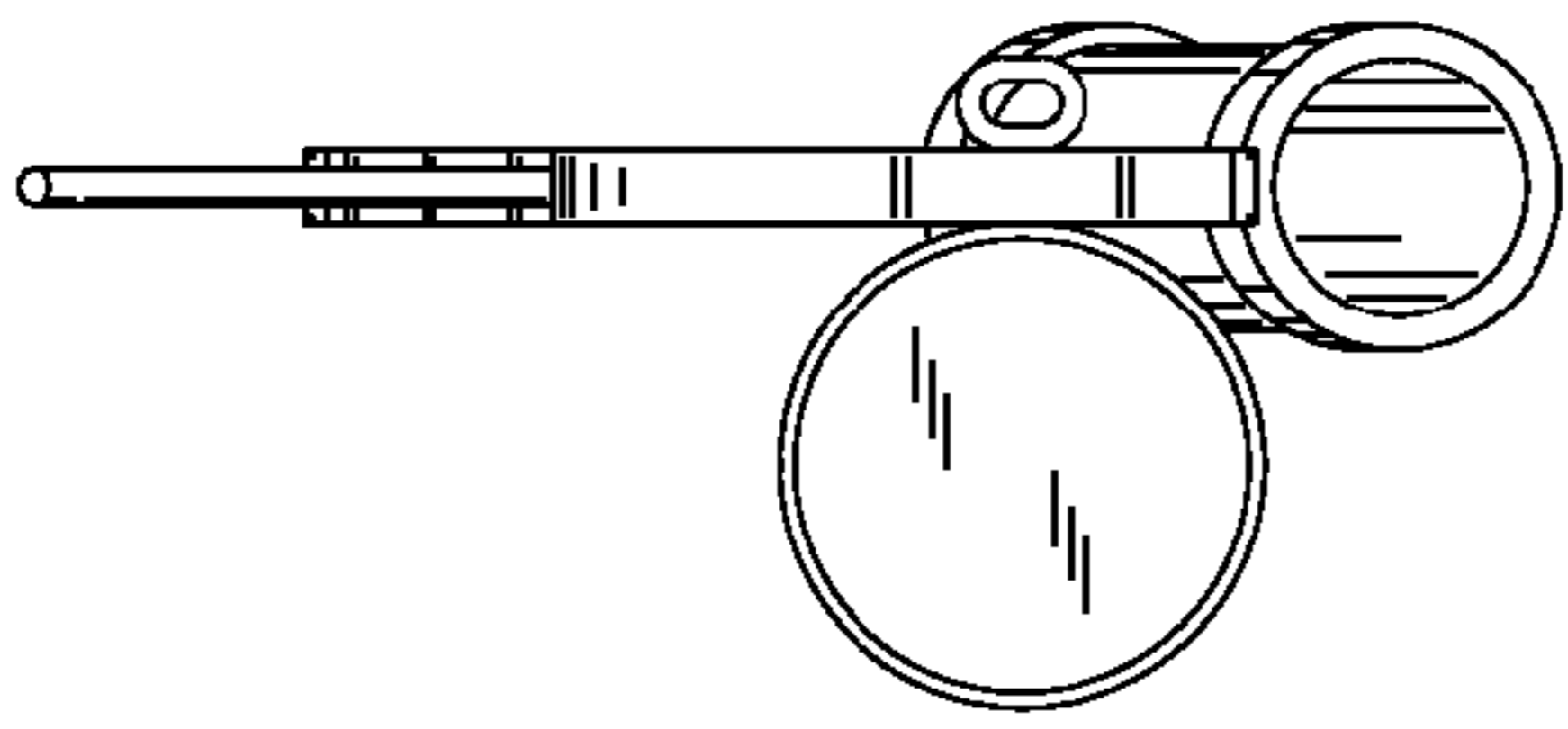


FIG. 7

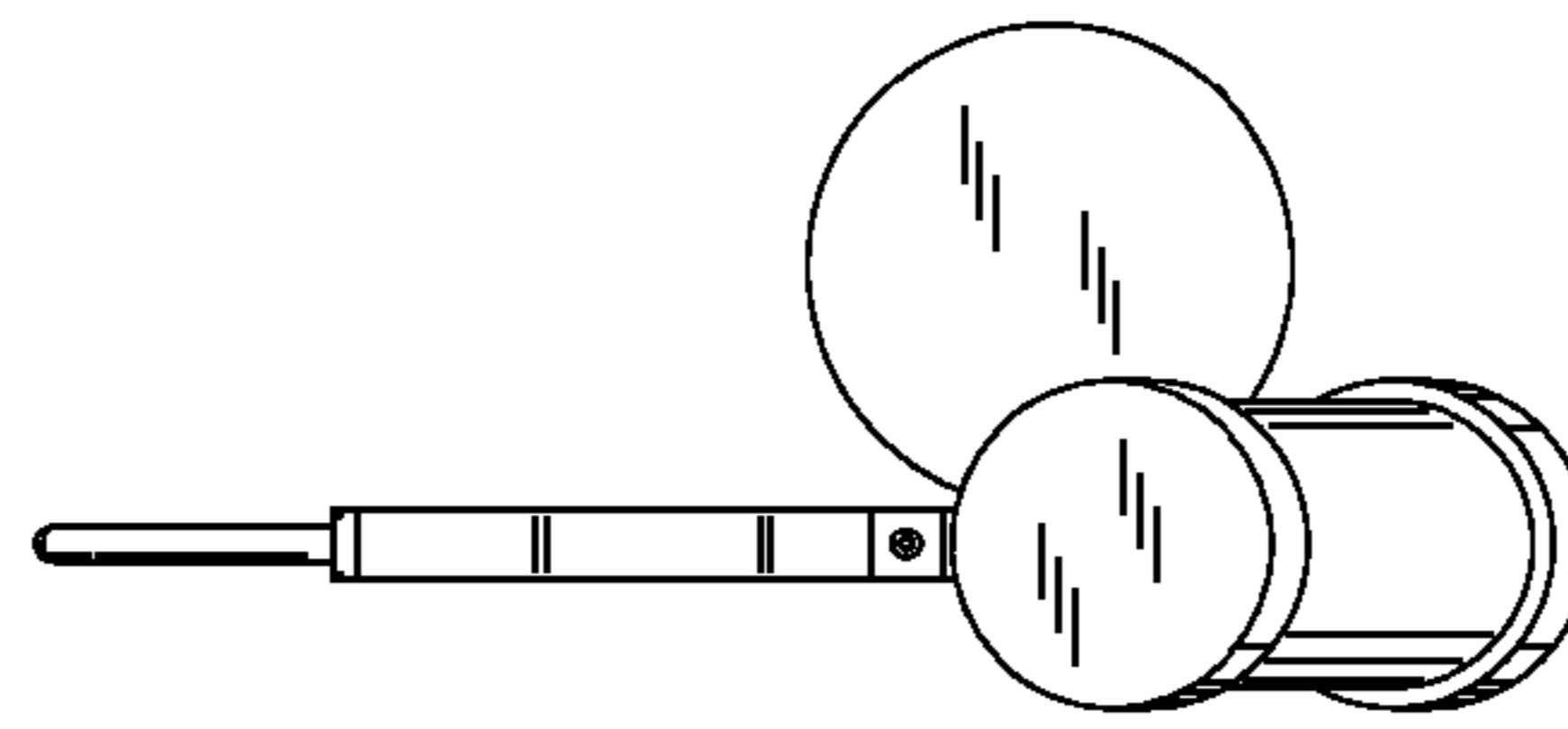


FIG. 8

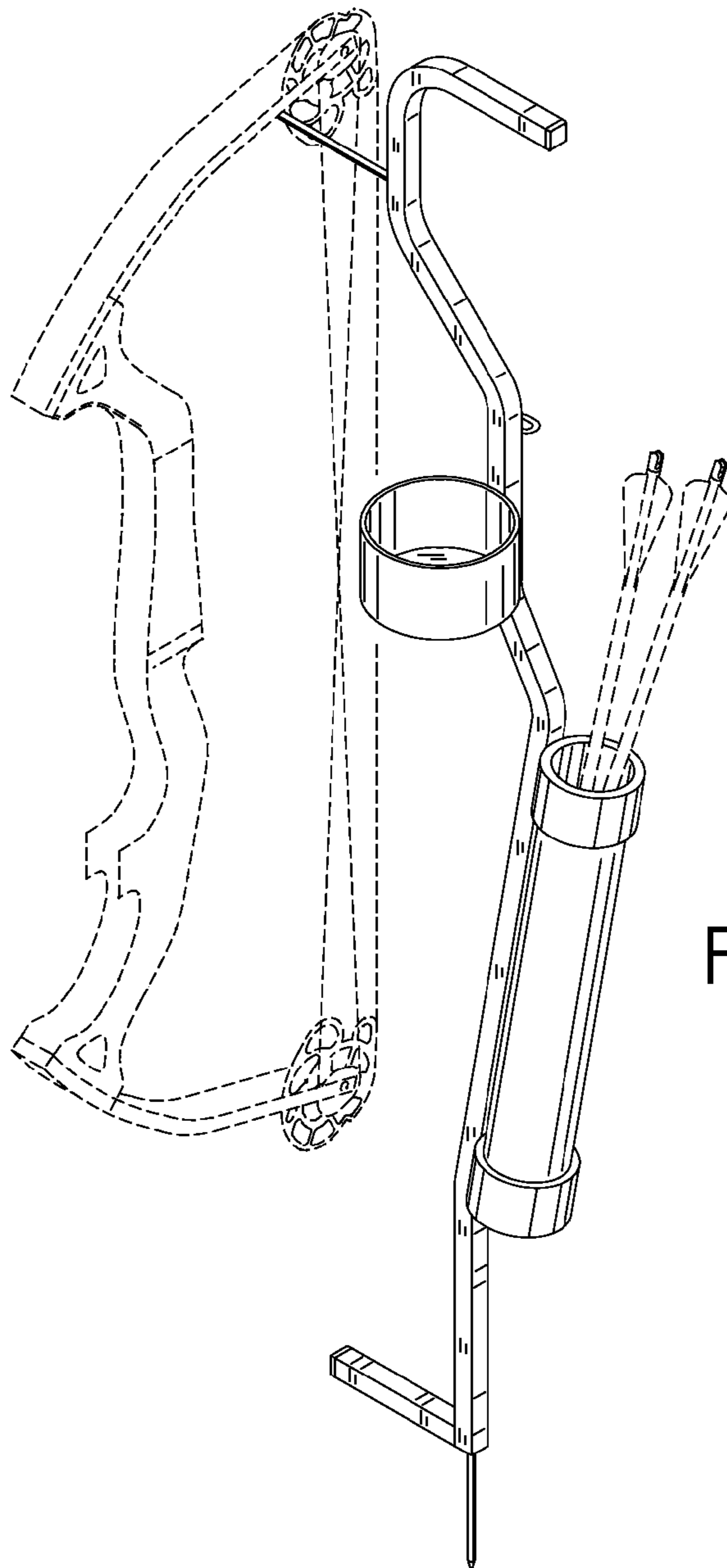


FIG. 9