



US00D629063S

(12) **United States Design Patent**
Nordberg

(10) **Patent No.:** **US D629,063 S**
(45) **Date of Patent:** **** Dec. 14, 2010**

(54) **ARCHERY SIGHT MOUNTED RANGEFINDER**

(75) Inventor: **Jason Nordberg**, Bonner, MT (US)

(73) Assignee: **Nordco, LLC**, Missoula, MT (US)

(**) Term: **14 Years**

(21) Appl. No.: **29/337,561**

(22) Filed: **May 26, 2009**

(51) **LOC (9) Cl.** **22-01**

(52) **U.S. Cl.** **D22/107**

(58) **Field of Classification Search** D22/100,
D22/107; 33/265; 42/111, 133, 119, 122
See application file for complete search history.

(56) **References Cited**

U.S. PATENT DOCUMENTS

D260,417 S	8/1981	Siekman	
D358,445 S	5/1995	Riddle, Jr.	
D374,473 S	10/1996	Morrell	
D374,701 S	10/1996	Lau	
D378,846 S	4/1997	Sodaro	
D487,789 S	3/2004	Rager	
D489,427 S	5/2004	Rager	
D505,477 S	5/2005	Rager	
D528,183 S *	9/2006	Evans	D22/107
D530,773 S *	10/2006	Evans	D22/107
D543,603 S *	5/2007	Khoshnood	D22/107
2003/0233757 A1	12/2003	Nordberg	

* cited by examiner

Primary Examiner—T. Chase Nelson

Assistant Examiner—Michael A Pratt

(74) *Attorney, Agent, or Firm*—Sarah J. Rhoades

(57) **CLAIM**

The ornamental design for an archery sight mounted rangefinder, as shown and described.

DESCRIPTION

FIG. 1 is a perspective view of the rangefinder mounted on a archery sight and having a representational arrangement of the pins inserted into the base. The broken line showing of the all aspects and features of the archery sight is for the purpose of illustrating environmental structure and forms not part of the claimed design;

FIG. 2 is a front plan view thereof;

FIG. 3 is a perspective view thereof also demonstrating the inserted pins separating from the base; and

FIG. 4 is a top perspective view of the rangefinder showing the new design prior to mounting on the archery sight and also demonstrating the inserted pins separating from the base;

FIG. 5 is a side perspective view of the rangefinder showing the new design in isolation and having the pins fully inserted in sample arrangement therein;

FIG. 6 is a side plan view thereof;

FIG. 7 is an end plan view thereof; and,

FIG. 8 is a top plan elevation view thereof.

In the drawings, the bodies and heads of the pins of the archery sight mounted range finder in FIGS. 1 through 8 and the heads of the sight fingers in FIGS. 1 through 3 are illustrated with broken line patterns. The broken line patterns display an exemplary environmental use of color and color contrasts. The broken line patterns and exemplary environment form no part of the claimed design.

1 Claim, 8 Drawing Sheets

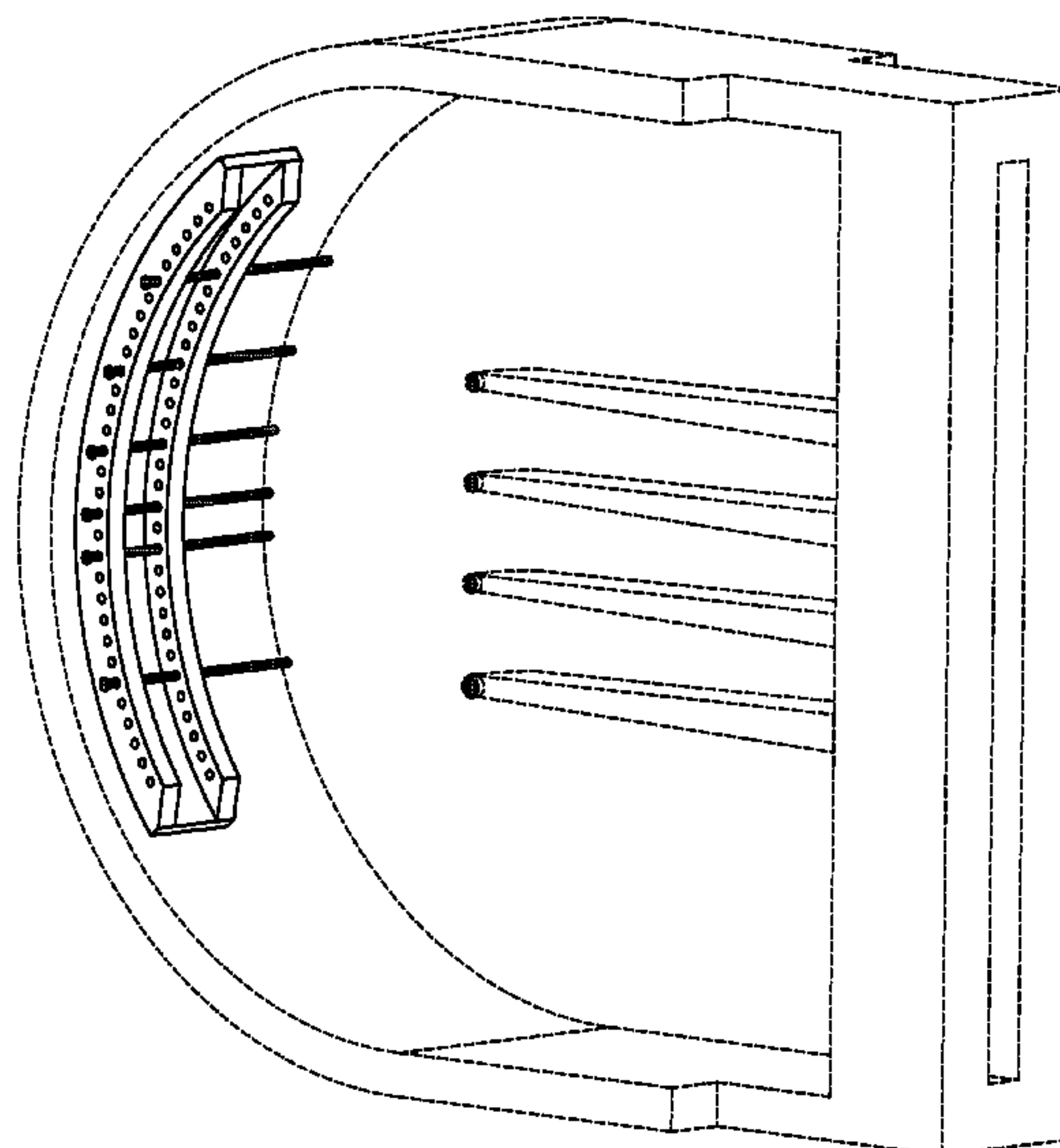


Figure 1

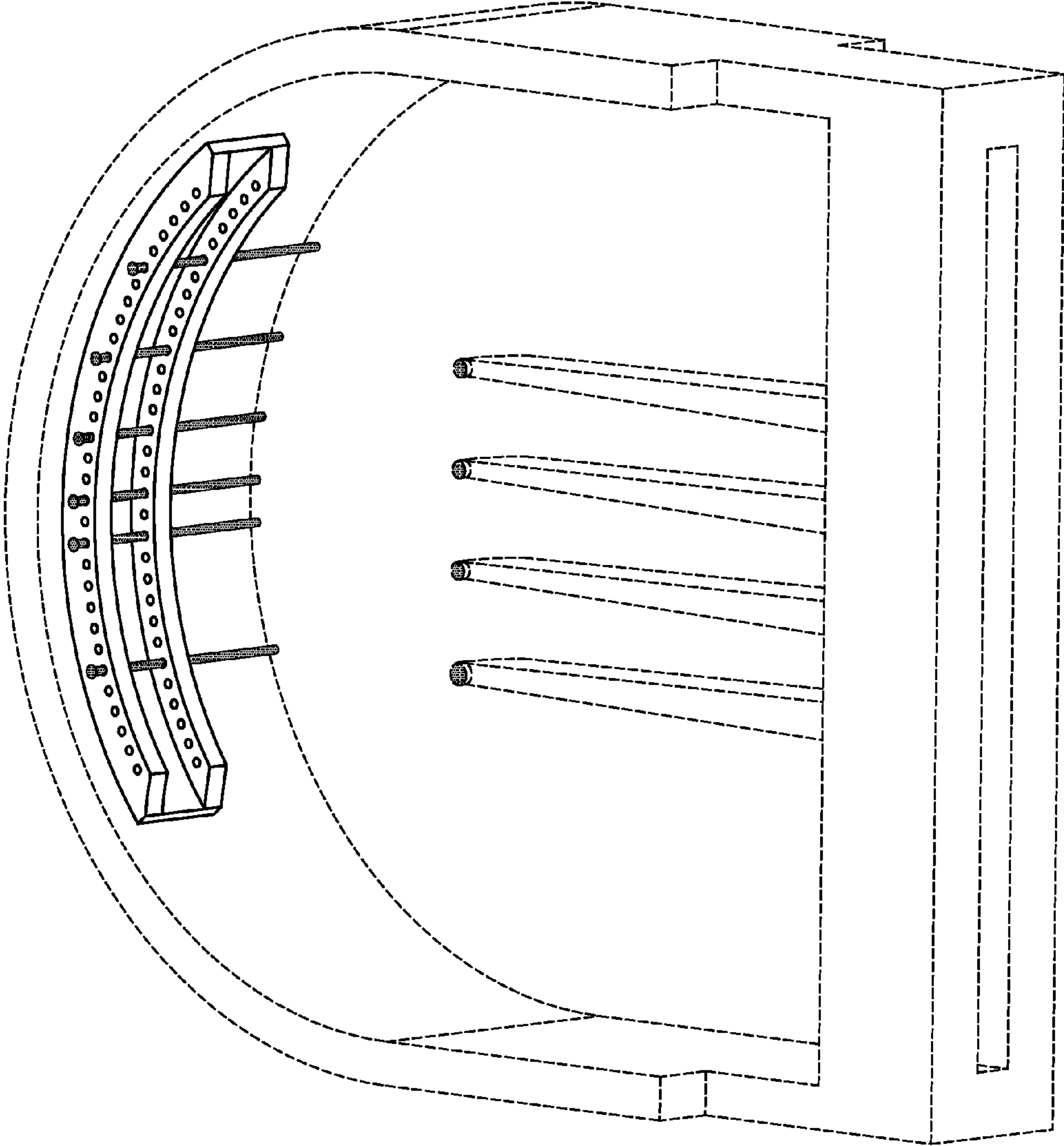


Figure 2

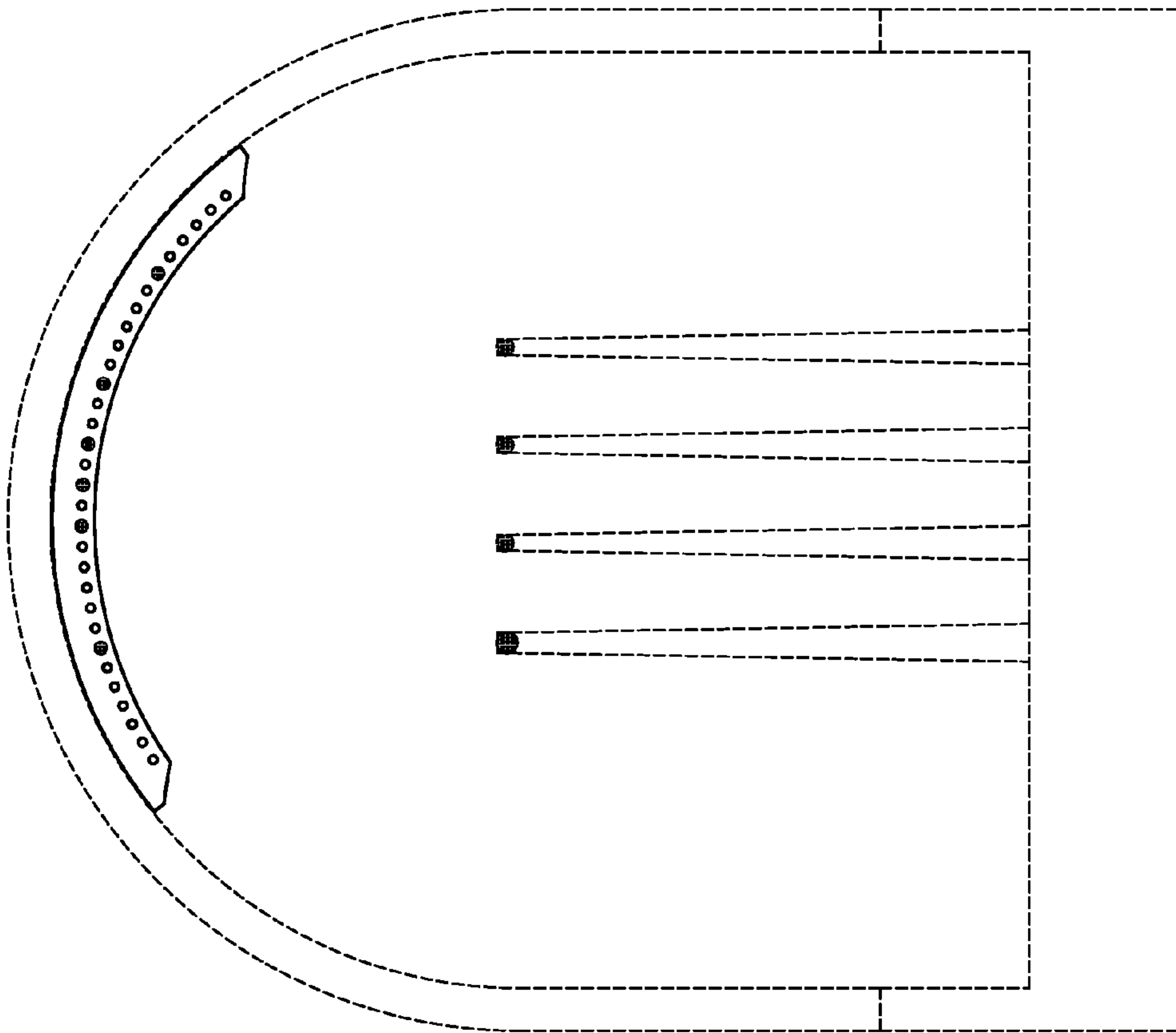


Figure 3

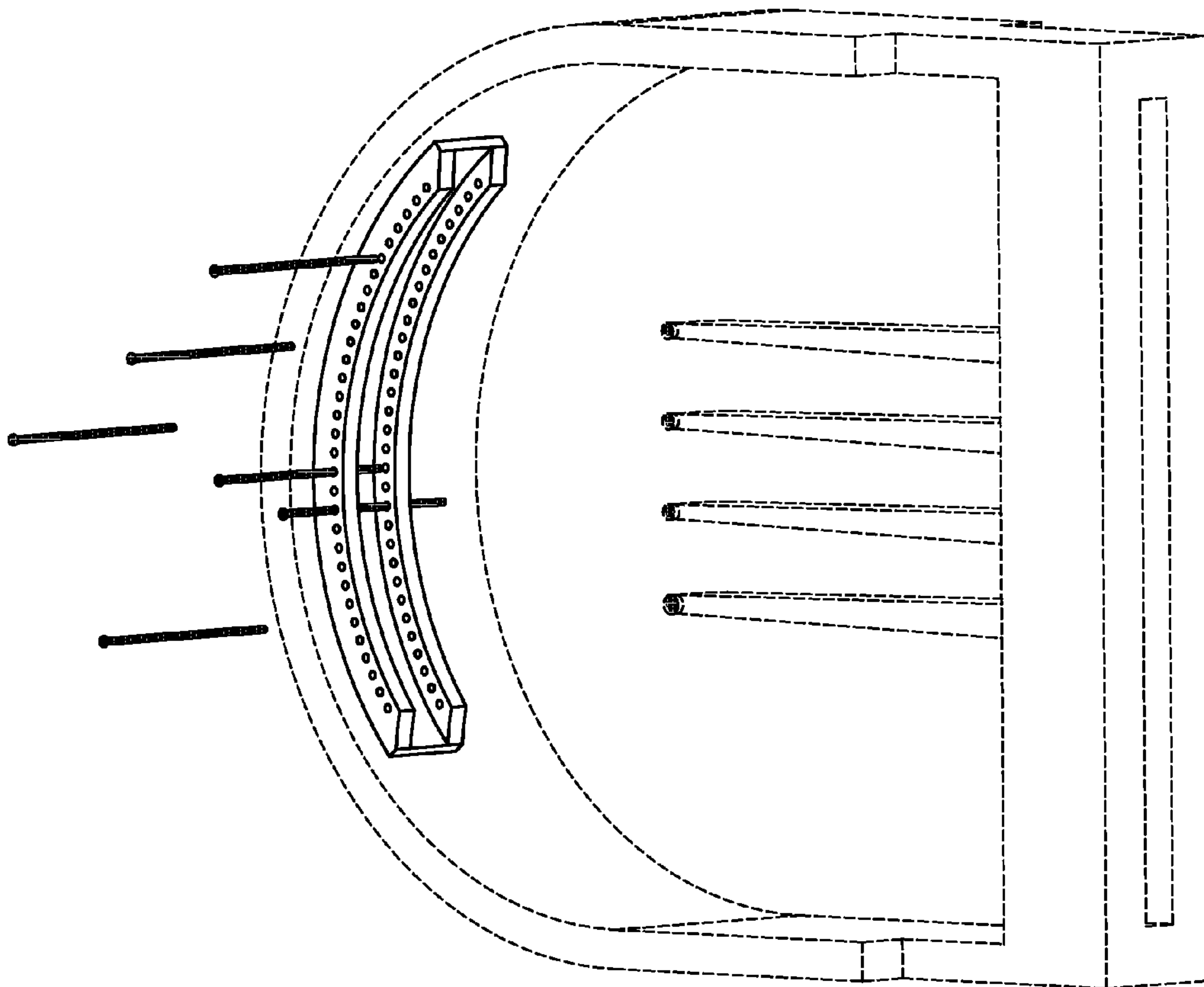


Figure 4

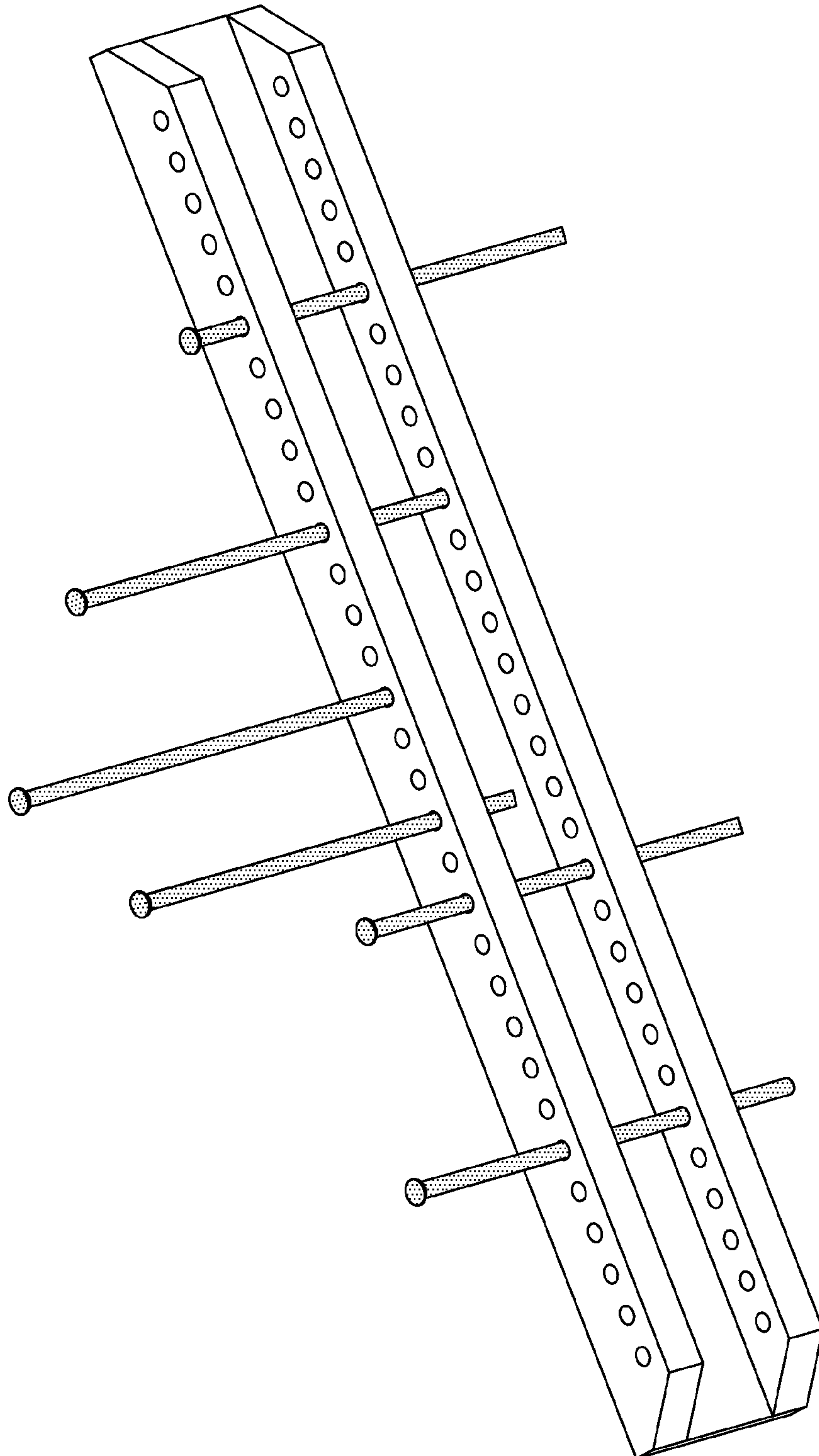


Figure 5

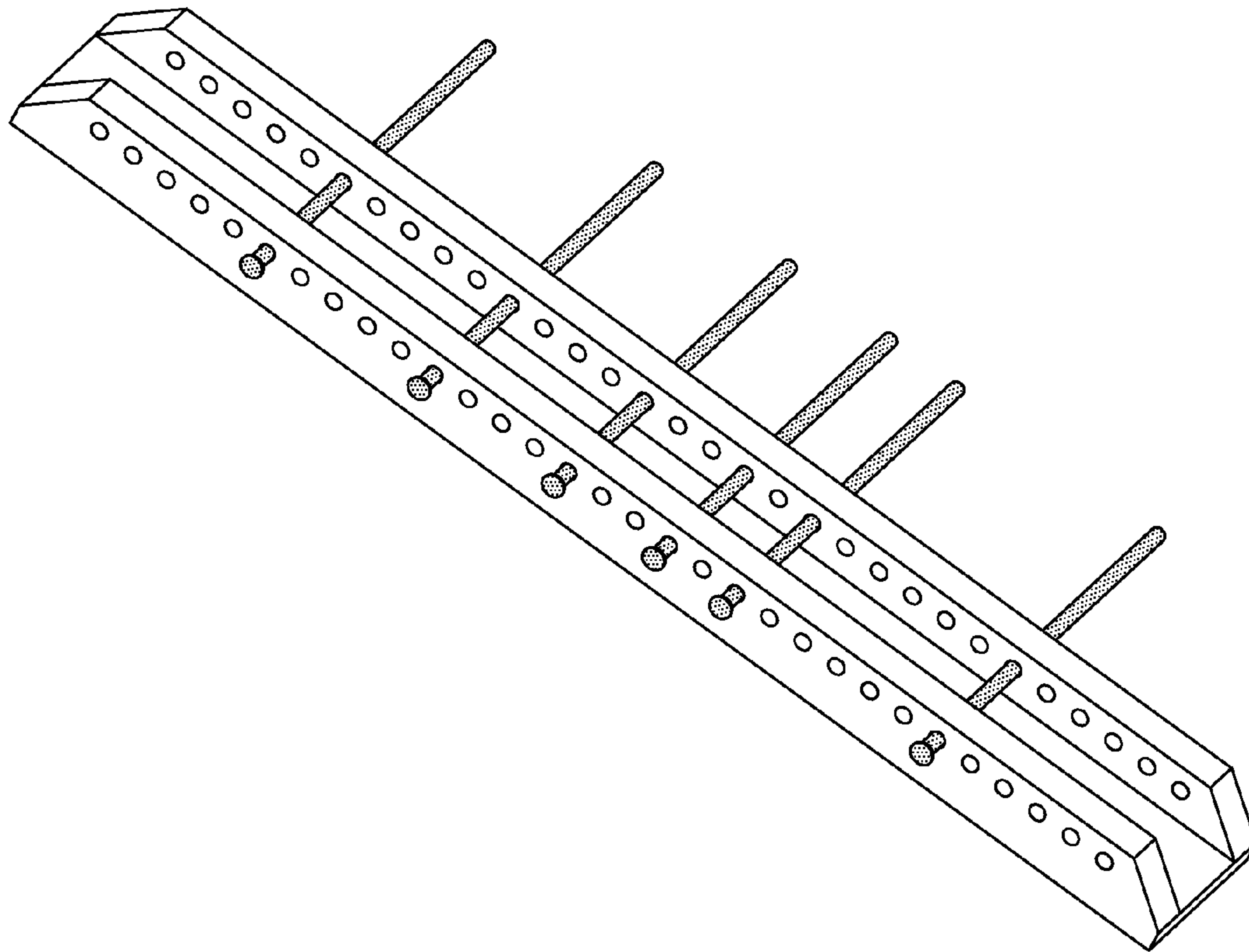


Figure 6

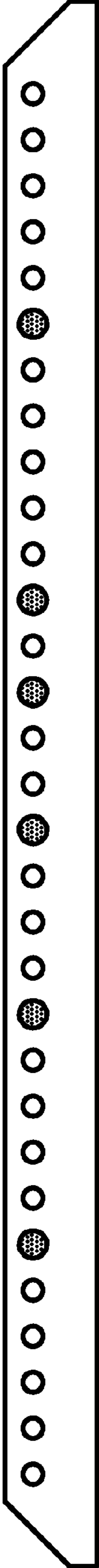


Figure 7

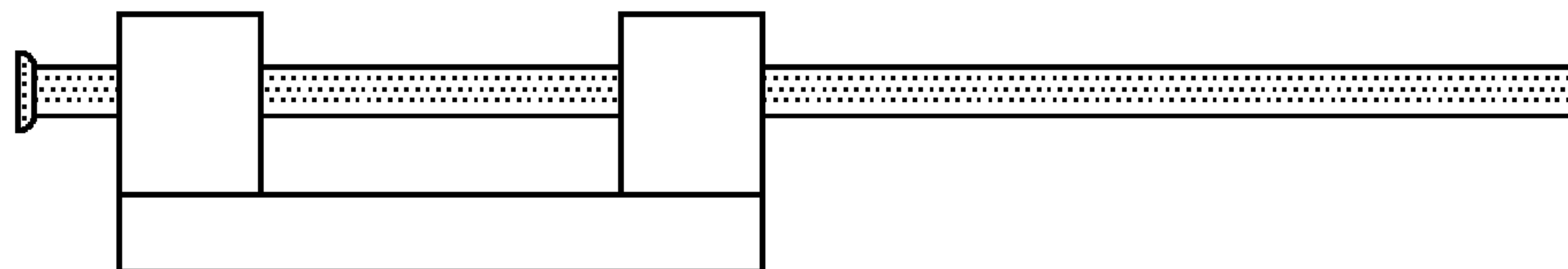


Figure 8

