



US00D629061S

(12) **United States Design Patent**
Llewellyn et al.

(10) **Patent No.:** **US D629,061 S**

(45) **Date of Patent:** **** Dec. 14, 2010**

(54) **IRON-TYPE GOLF CLUB**

(75) Inventors: **David Llewellyn**, Duluth, GA (US);
Chris Voshall, Atlanta, GA (US);
Kazuhiro Doi, Gifu (JP); **Tsugunobu Sakamoto**, Osaka (JP)

(73) Assignee: **Mizuno USA, Inc.**, Norcross, GA (US)

(**) Term: **14 Years**

(21) Appl. No.: **29/356,715**

(22) Filed: **Mar. 2, 2010**

(51) **LOC (9) Cl.** **21-02**

(52) **U.S. Cl.** **D21/759**

(58) **Field of Classification Search** D21/747-751,
D21/759; 473/324-331, 350
See application file for complete search history.

(56) **References Cited**

U.S. PATENT DOCUMENTS

D353,644 S	*	12/1994	Hirsch et al.	D21/748
D401,637 S	*	11/1998	Best et al.	D21/747
D465,253 S	*	11/2002	Best	D21/759
D469,140 S	*	1/2003	Best	D21/759
D475,107 S	*	5/2003	Madore	D21/759
D475,108 S	*	5/2003	Madore	D21/759
D487,127 S	*	2/2004	Madore	D21/759
D499,155 S	*	11/2004	Imamoto	D21/747
D512,756 S	*	12/2005	Kawami	D21/747
D516,649 S	*	3/2006	Imamoto	D21/747
D517,629 S	*	3/2006	Madore et al.	D21/759

* cited by examiner

Primary Examiner—Mitchell I Siegel

(74) *Attorney, Agent, or Firm*—Thروتman Sanders LLP;
Robert R. Elliott, Jr.

(57) **CLAIM**

The ornamental design for a iron-type golf club, as shown and described.

DESCRIPTION

FIG. 1 illustrates an angled, rear perspective view of a golf club head that shows an apex-like portion within a cavity pad and a convex shaped perimeter weight;

FIG. 2 illustrates a rear perspective view of a golf club head that shows an apex-like portion within a cavity pad and a convex shaped perimeter weight;

FIG. 3 illustrates an angled, rear perspective view of a golf club head that shows a cavity pad and a convex shaped perimeter weight;

FIG. 4 illustrates an angled, bottom perspective view of a golf club head that shows a cavity pad and a convex shaped perimeter weight;

FIG. 5 illustrates an angled, rear perspective view of a golf club head that shows an apex-like portion within a cavity pad and a convex shaped perimeter weight;

FIG. 6 illustrates an angled, side perspective view of a golf club head that shows an apex-like portion within a cavity pad and a convex shaped perimeter weight;

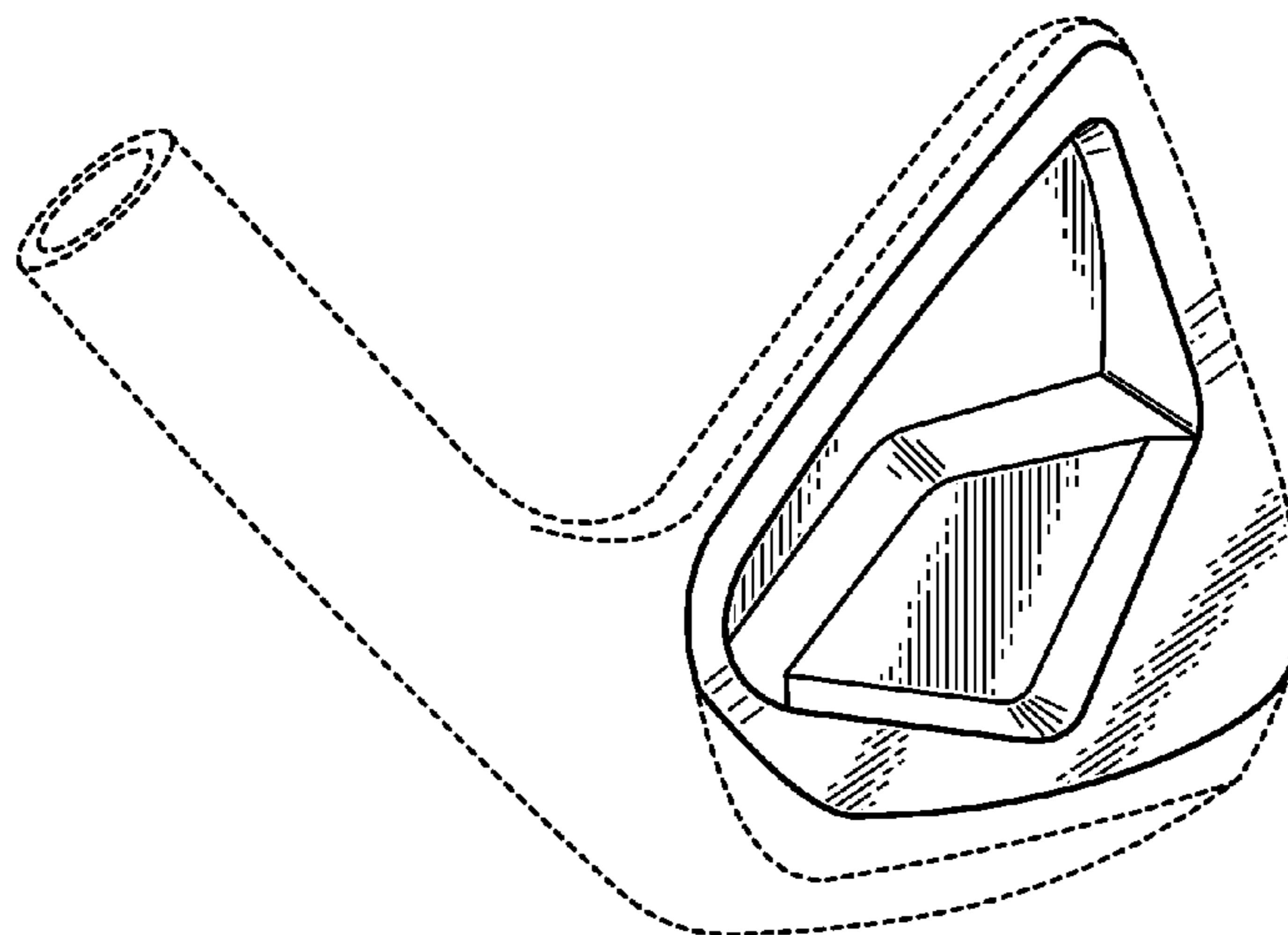
FIG. 7 illustrates a top perspective view of a golf club head that shows a cavity pad a convex shaped perimeter weight;

FIG. 8 illustrates a rear perspective view of a golf club head that shows an apex-like portion within a cavity pad and a convex shaped perimeter weight; and,

FIG. 9 illustrates an angled, side perspective view of a golf club head that shows a cavity pad and a convex shaped perimeter weight.

The broken, dashed lines shown in the various figures depicting embodiments of the invention are included for the purpose of illustrating environment and do not form any part of the claimed design.

1 Claim, 5 Drawing Sheets



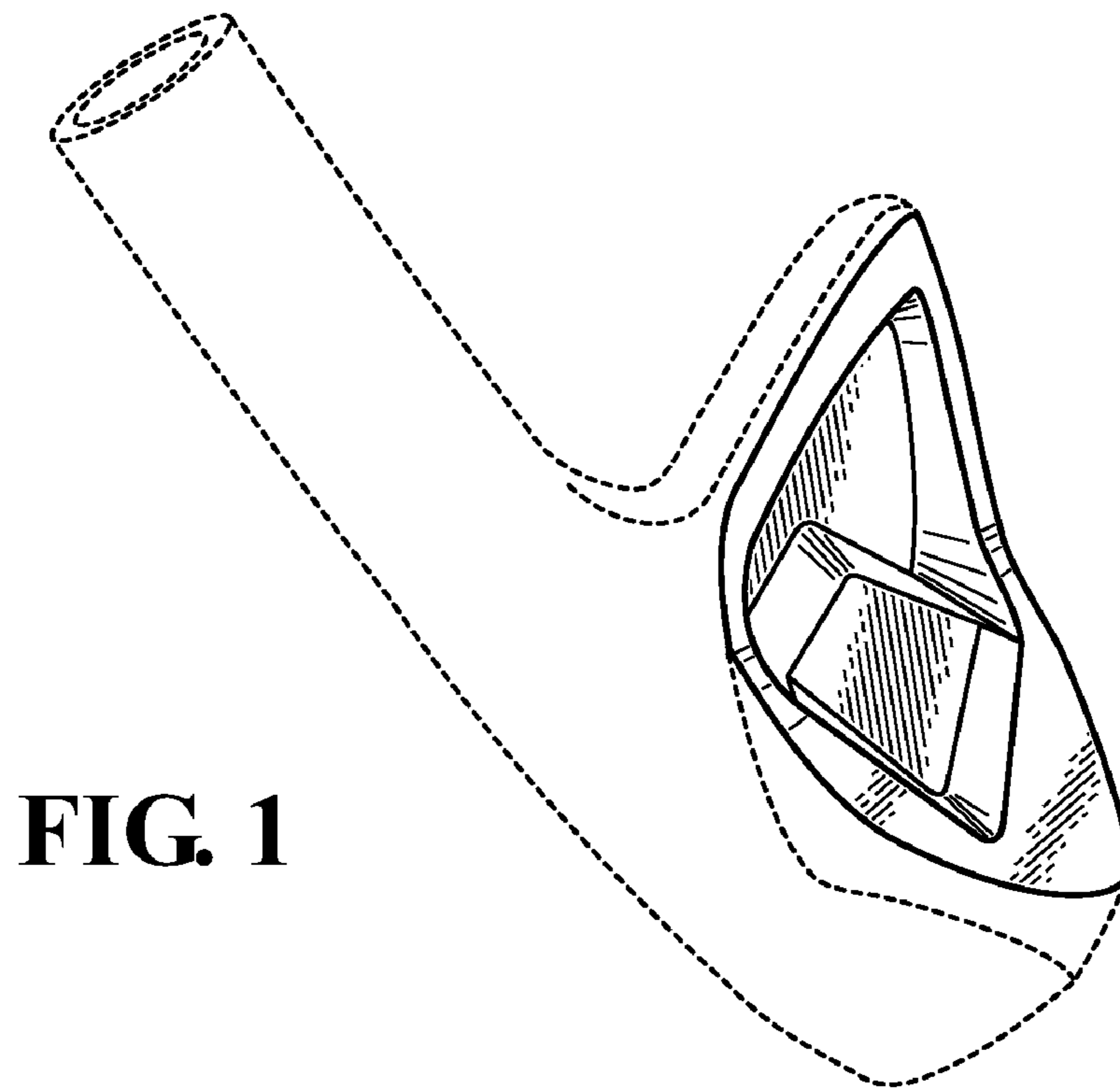


FIG. 1

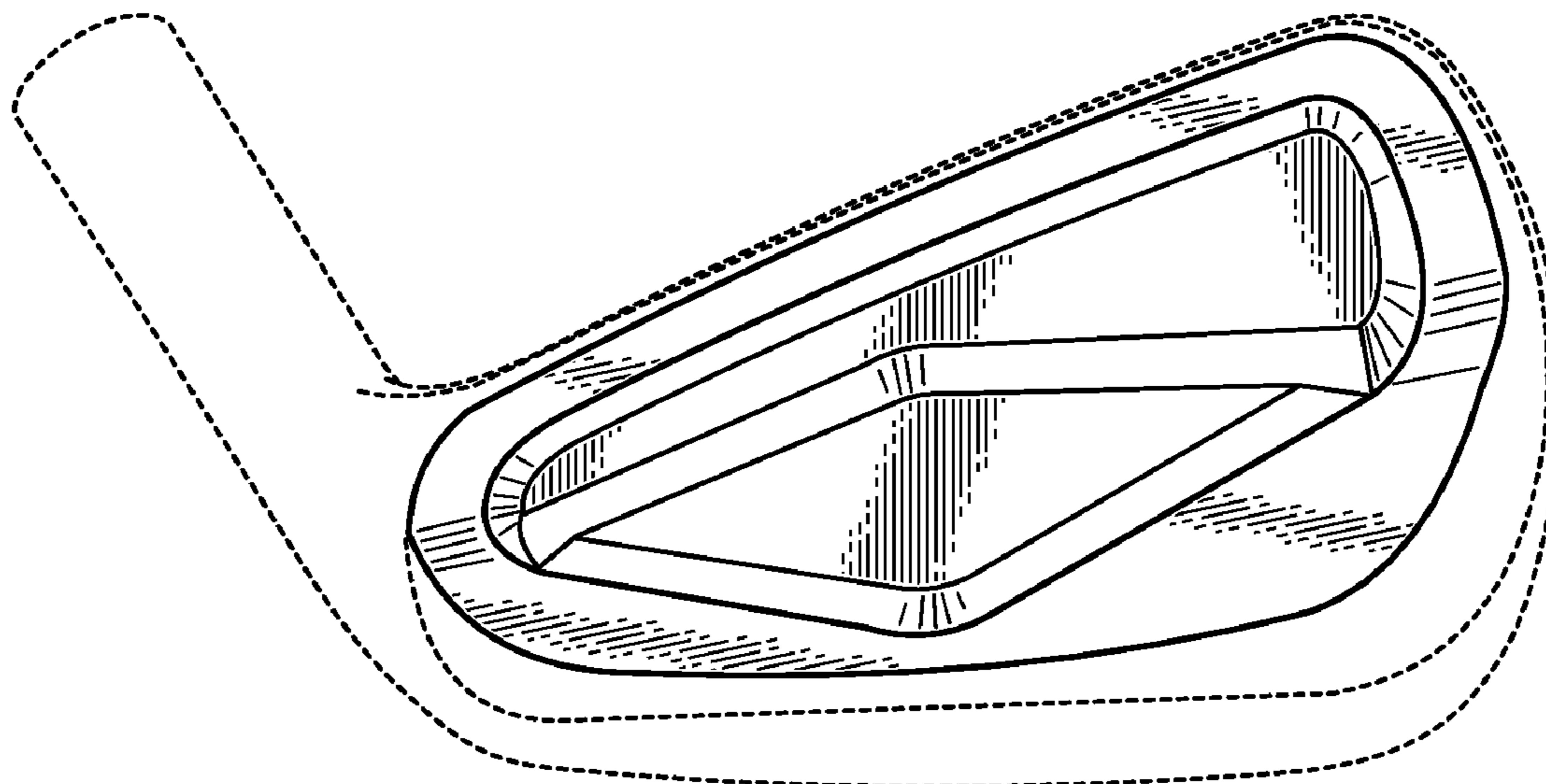


FIG. 2

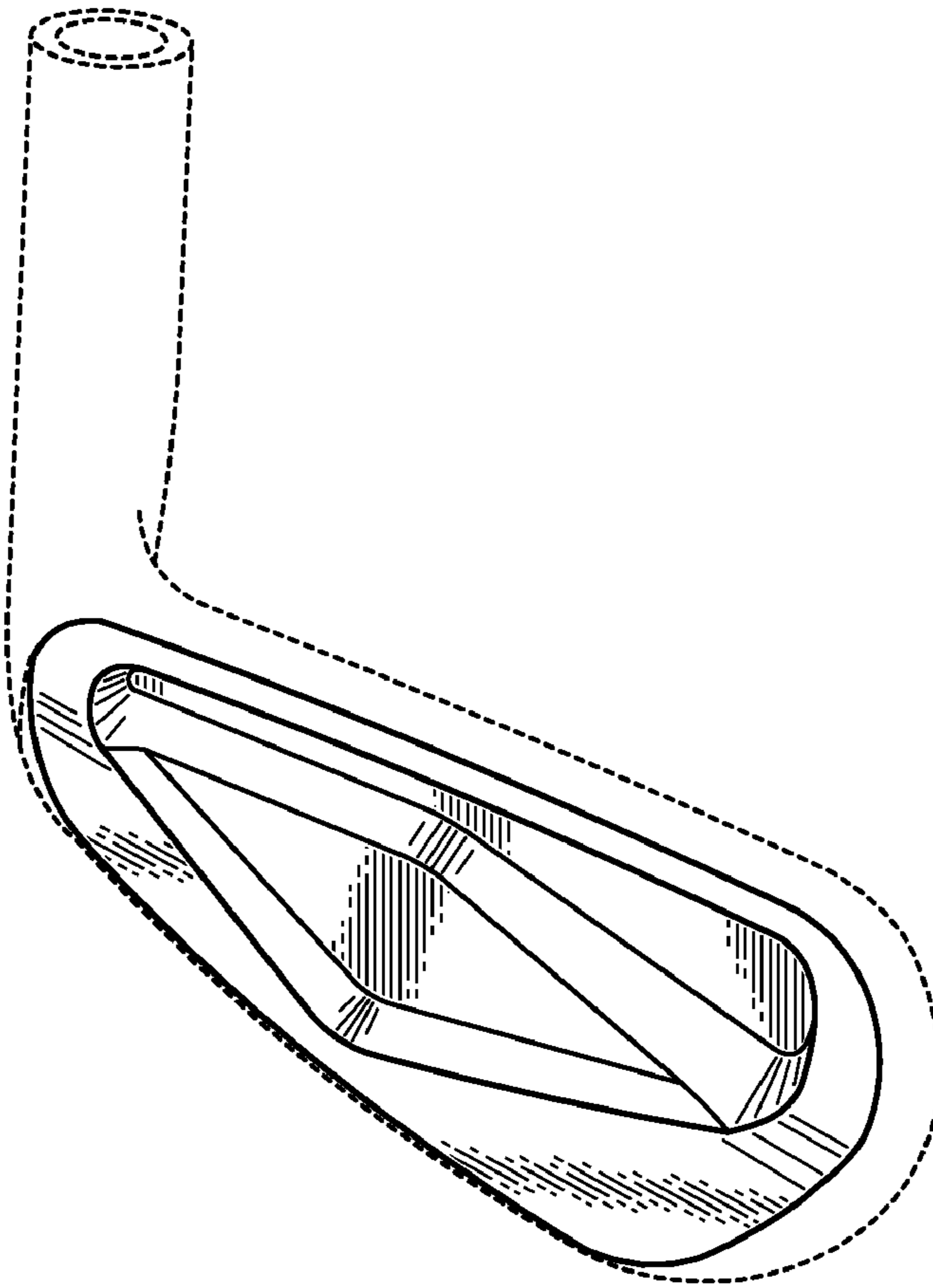


FIG. 3

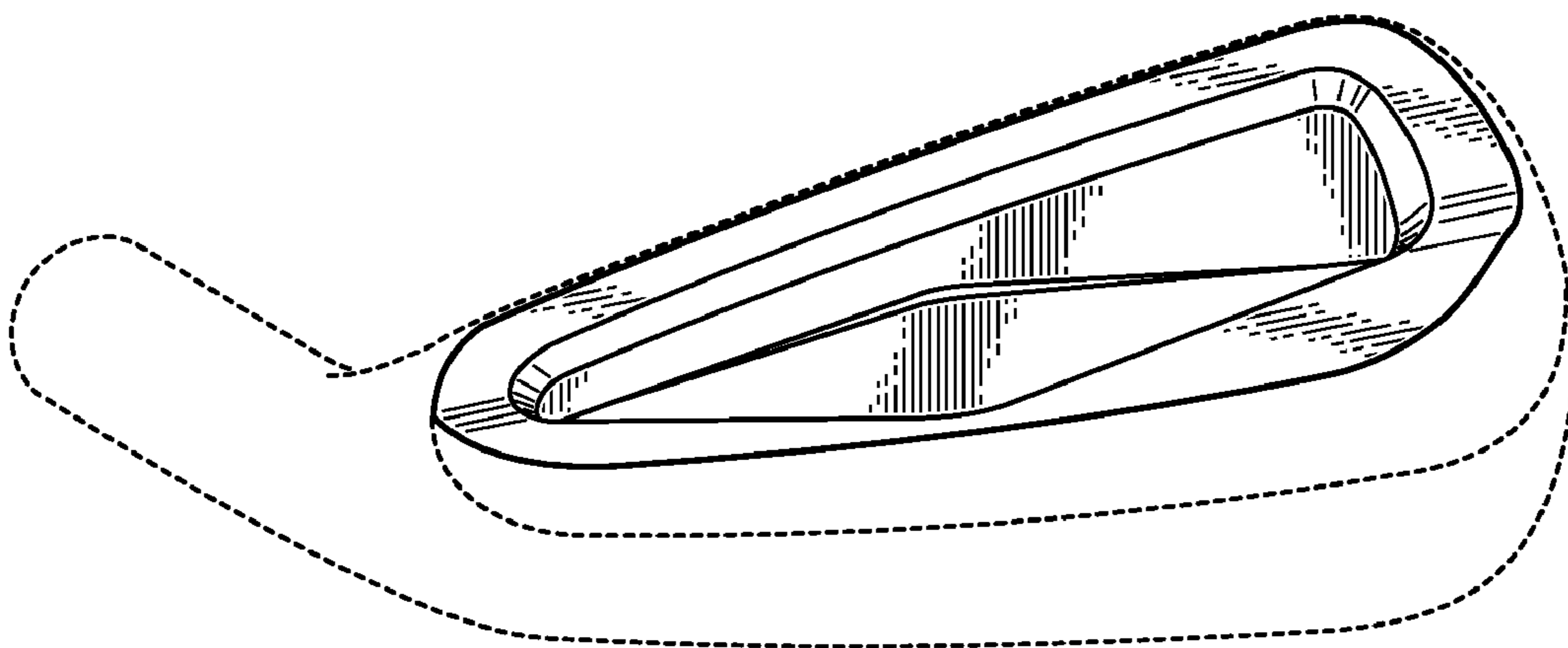


FIG. 4

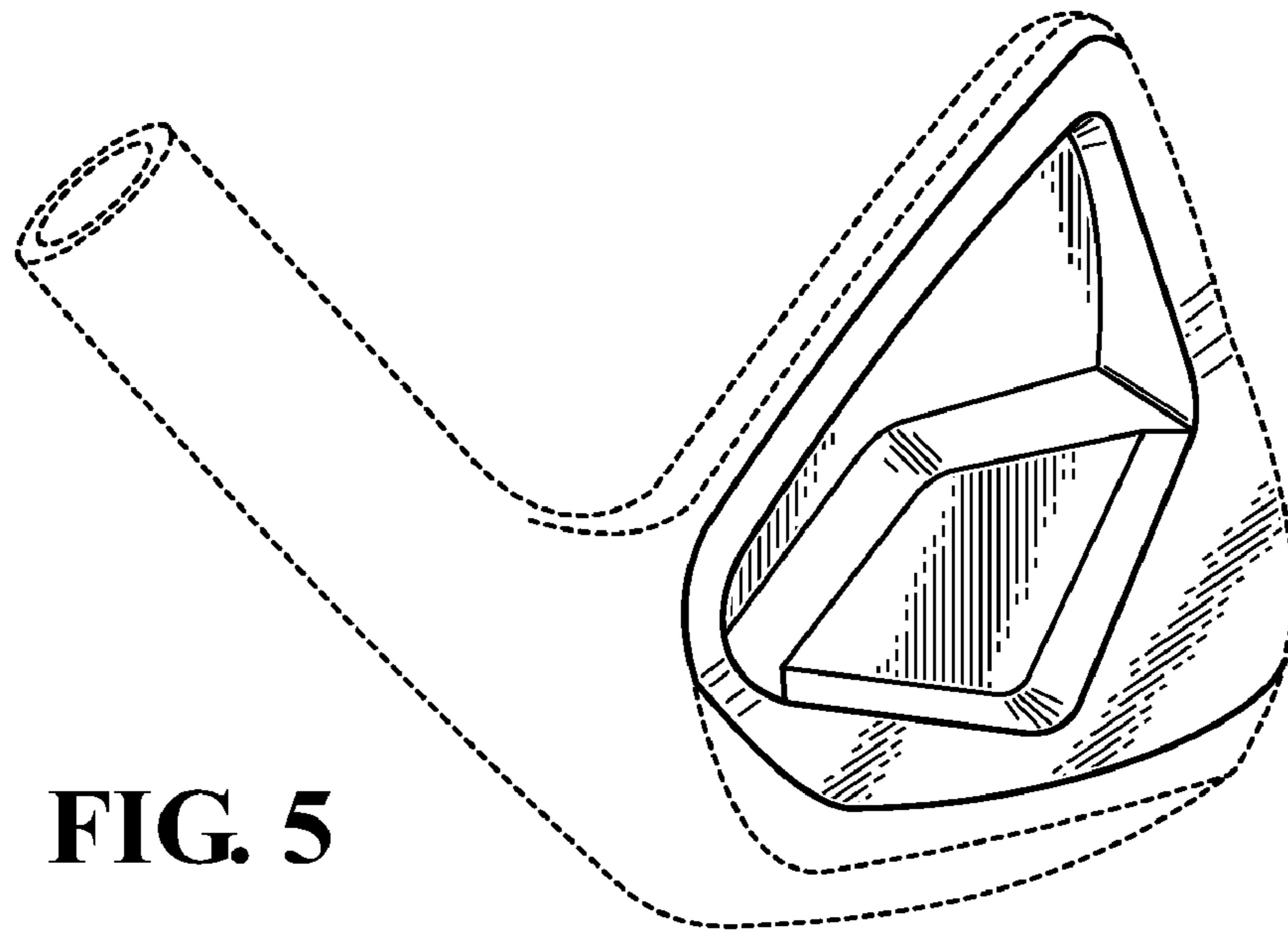


FIG. 5

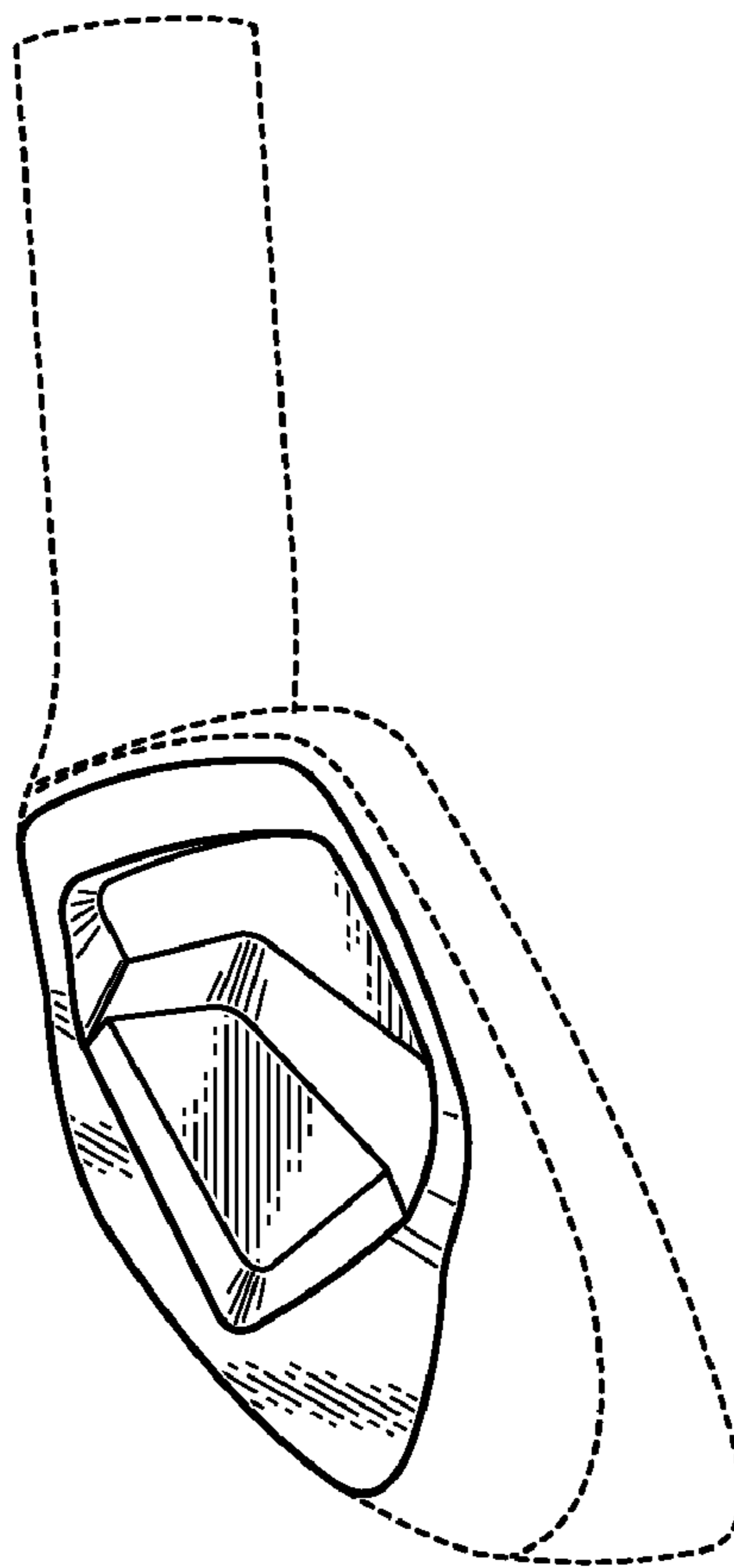


FIG. 6

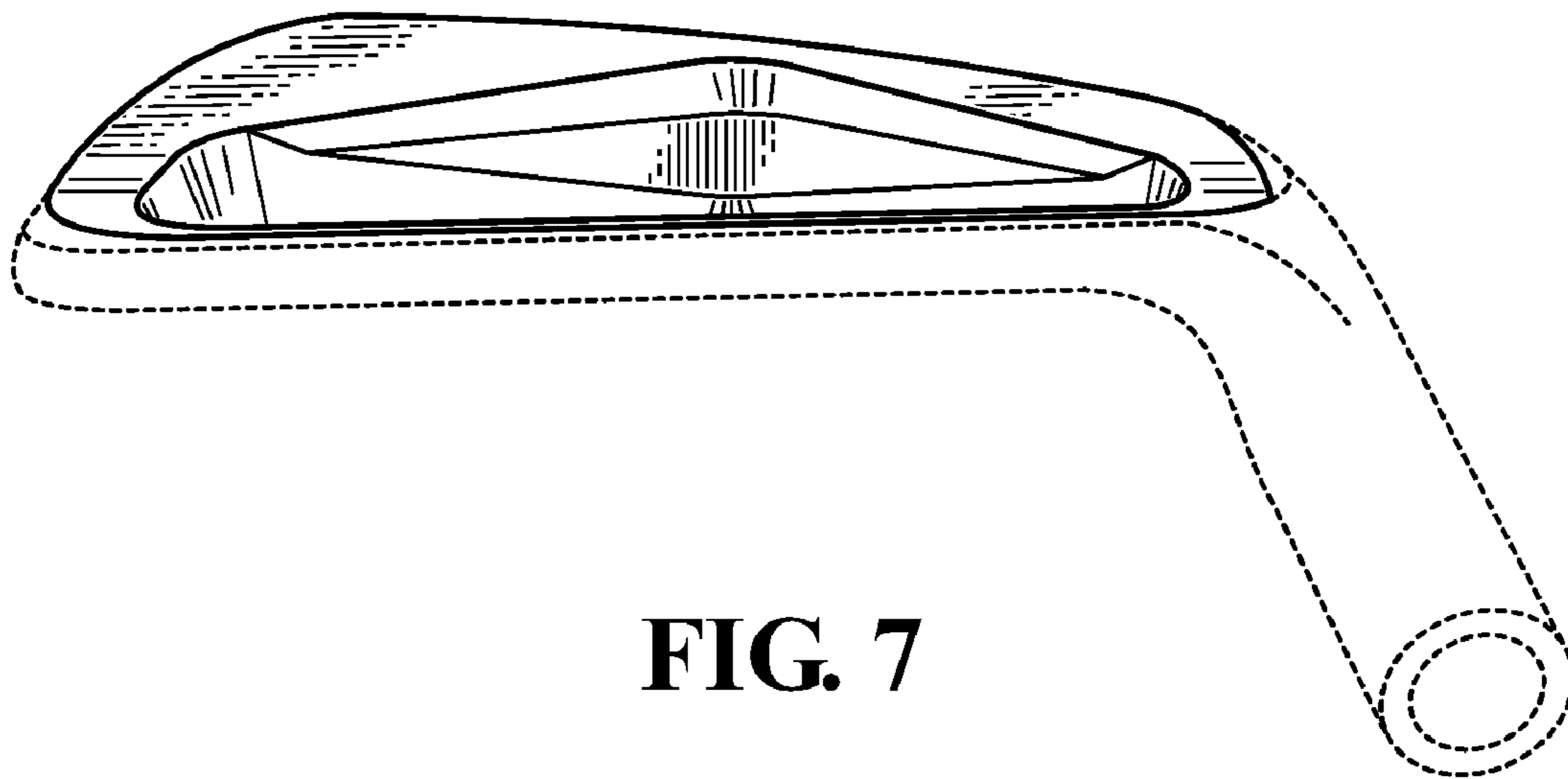


FIG. 7

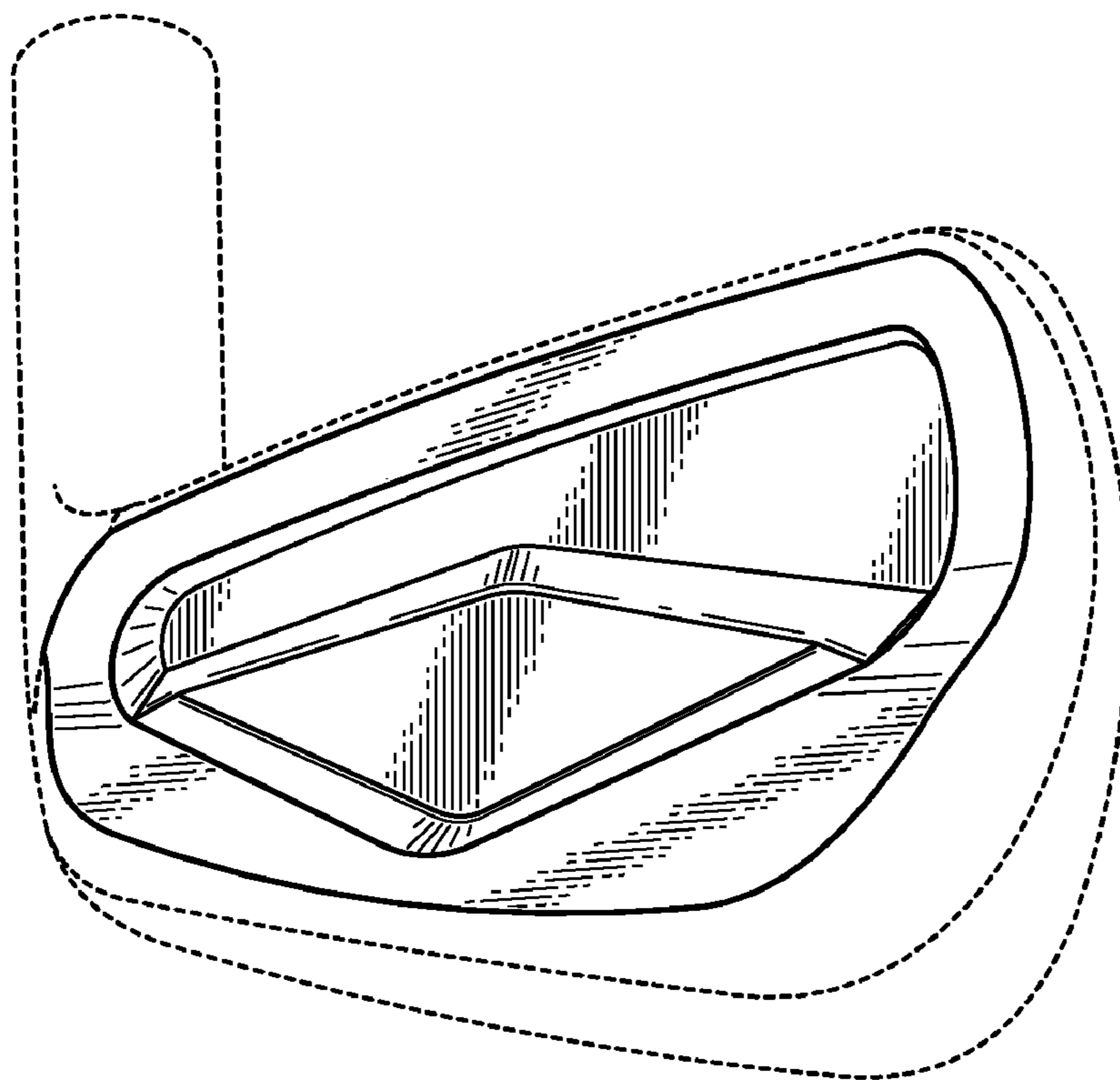


FIG. 8

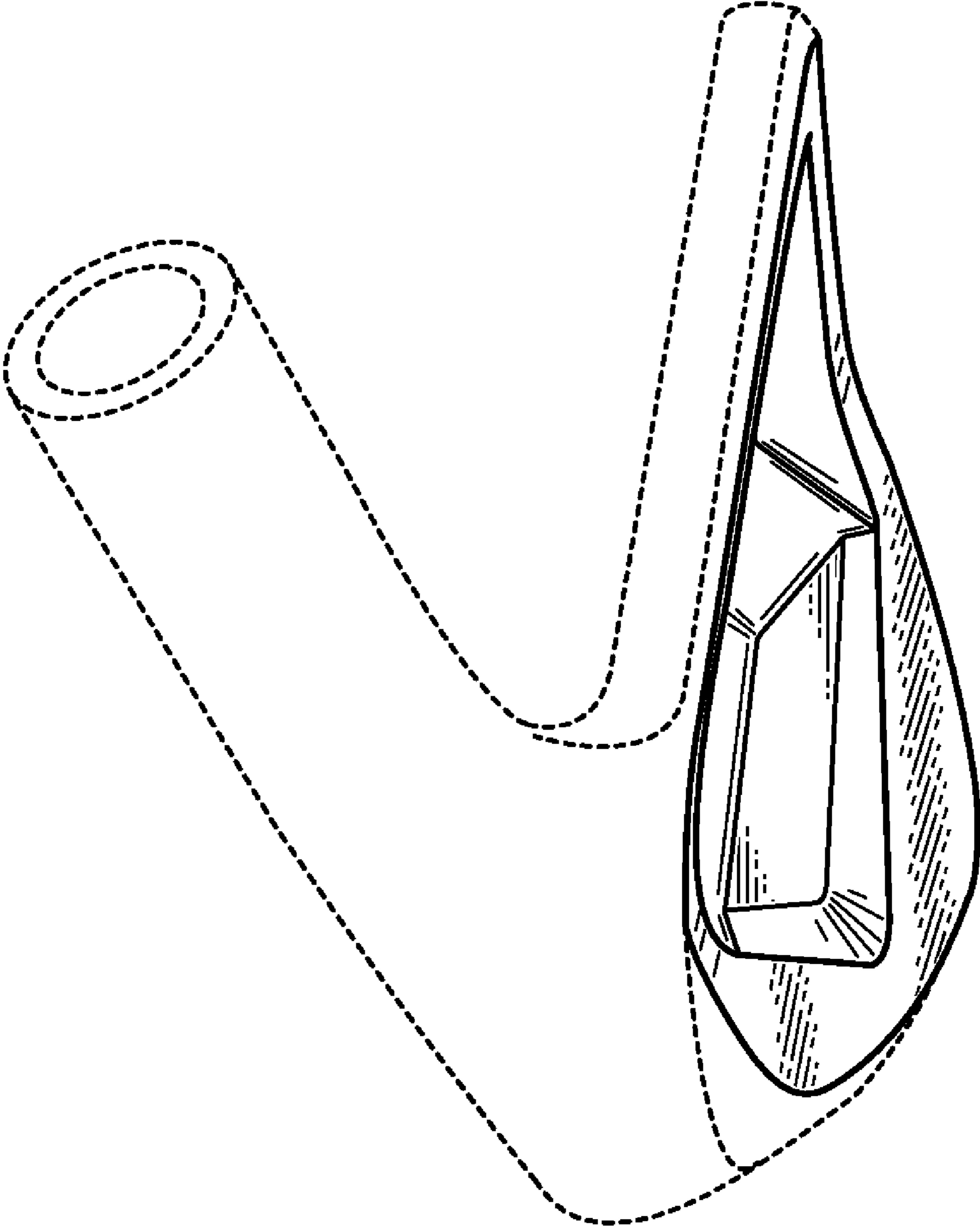


FIG. 9