



US00D629053S

(12) **United States Design Patent**
Tsai

(10) **Patent No.:** **US D629,053 S**

(45) **Date of Patent:** **** Dec. 14, 2010**

(54) **EXERCISE MACHINE**

(76) Inventor: **Cheng-Ta Tsai**, 7F-1, No. 298,
Rueiguang Rd., Neihu Dist., Taipei (TW)

(**) Term: **14 Years**

(21) Appl. No.: **29/341,619**

(22) Filed: **Aug. 10, 2009**

(51) **LOC (9) Cl.** **21-02**

(52) **U.S. Cl.** **D21/674**

(58) **Field of Classification Search** D21/662,
D21/673-674, 676; 482/72, 73, 91, 95-96,
482/114, 121, 123, 130, 126, 129

See application file for complete search history.

(56) **References Cited**

U.S. PATENT DOCUMENTS

D277,304	S *	1/1985	Smith et al.	D21/674
4,743,010	A *	5/1988	Geraci	482/72
5,104,363	A *	4/1992	Shi	482/73
D352,534	S *	11/1994	Dreibelbis et al.	D21/674
D358,624	S *	5/1995	Wang et al.	D21/673
D362,283	S *	9/1995	Lee	D21/674
D367,689	S *	3/1996	Wilkinson et al.	D21/676
5,913,752	A *	6/1999	Bolf	482/72
6,533,710	B2 *	3/2003	Lin et al.	482/123
6,981,932	B1 *	1/2006	Huang et al.	482/72

7,104,933	B1 *	9/2006	Liao	482/72
D609,288	S *	2/2010	Khubani	D21/674
2003/0158018	A1 *	8/2003	Giannelli et al.	482/95
2004/0192521	A1 *	9/2004	Nizamuddin	482/142
2005/0101459	A1 *	5/2005	Tornabene et al.	482/140
2006/0252613	A1 *	11/2006	Barnes et al.	482/95
2007/0184949	A1 *	8/2007	Weir et al.	482/130

* cited by examiner

Primary Examiner—Susan E Krakower

(74) *Attorney, Agent, or Firm*—Apex Juris, pllc; Tracy M Heims

(57) **CLAIM**

The ornamental design for an exercise machine, as shown.

DESCRIPTION

FIG. 1 is a perspective view of an exercise machine showing my new design;

FIG. 2 is a front view thereof;

FIG. 3 is a rear view thereof;

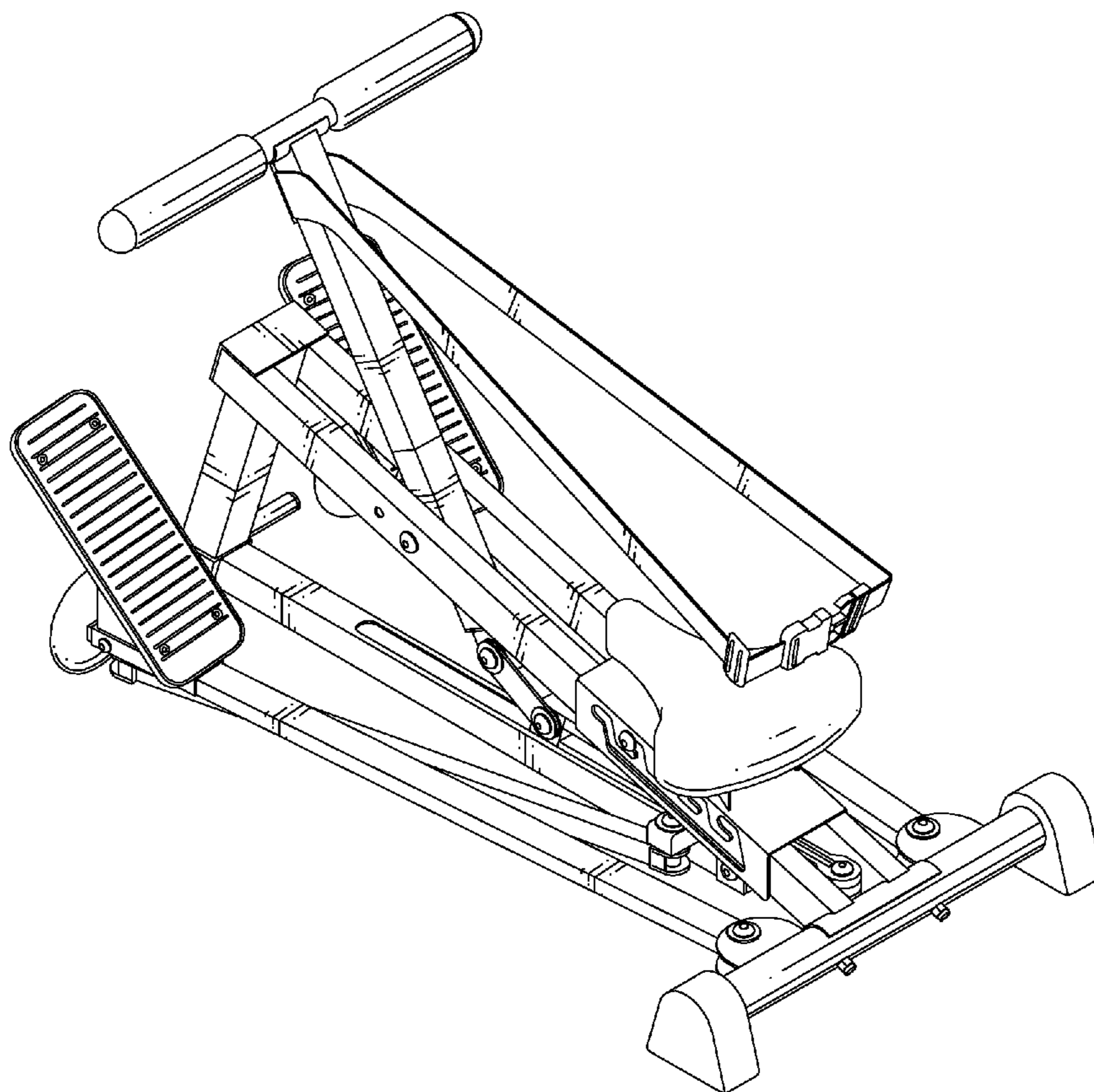
FIG. 4 is a left view thereof;

FIG. 5 is a right view thereof;

FIG. 6 is a top view thereof; and,

FIG. 7 is a bottom view thereof.

1 Claim, 7 Drawing Sheets



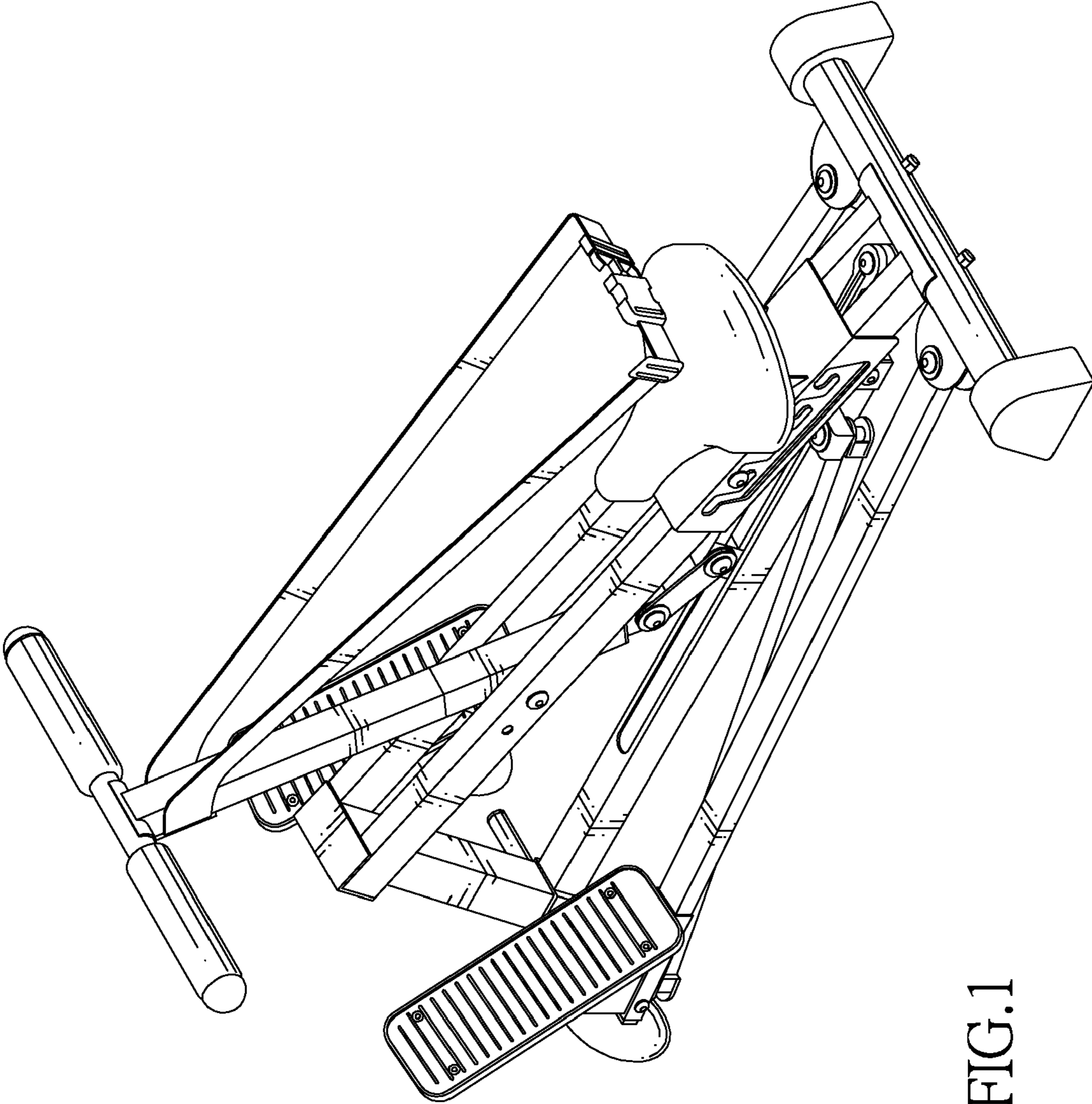


FIG.1

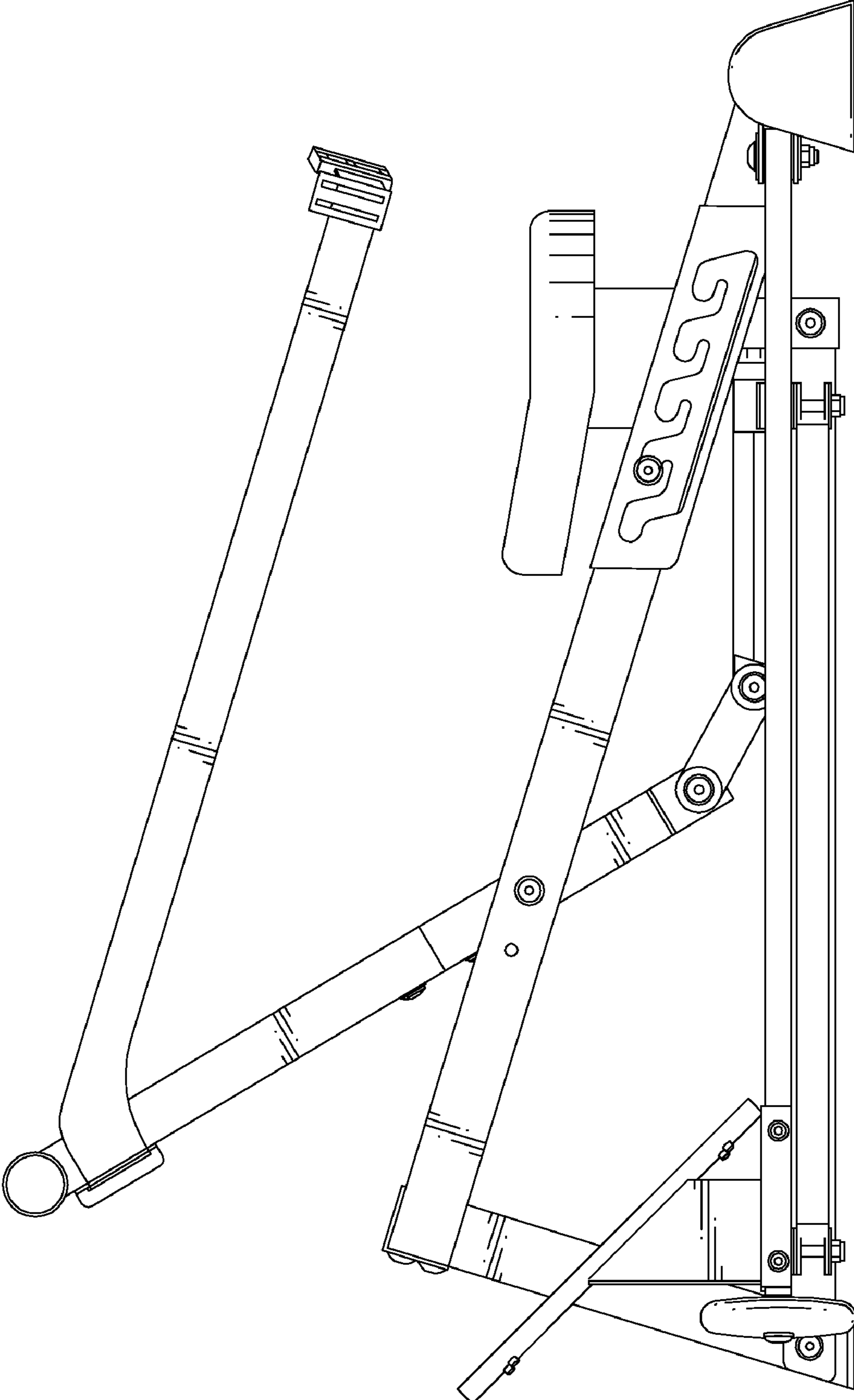


FIG.2

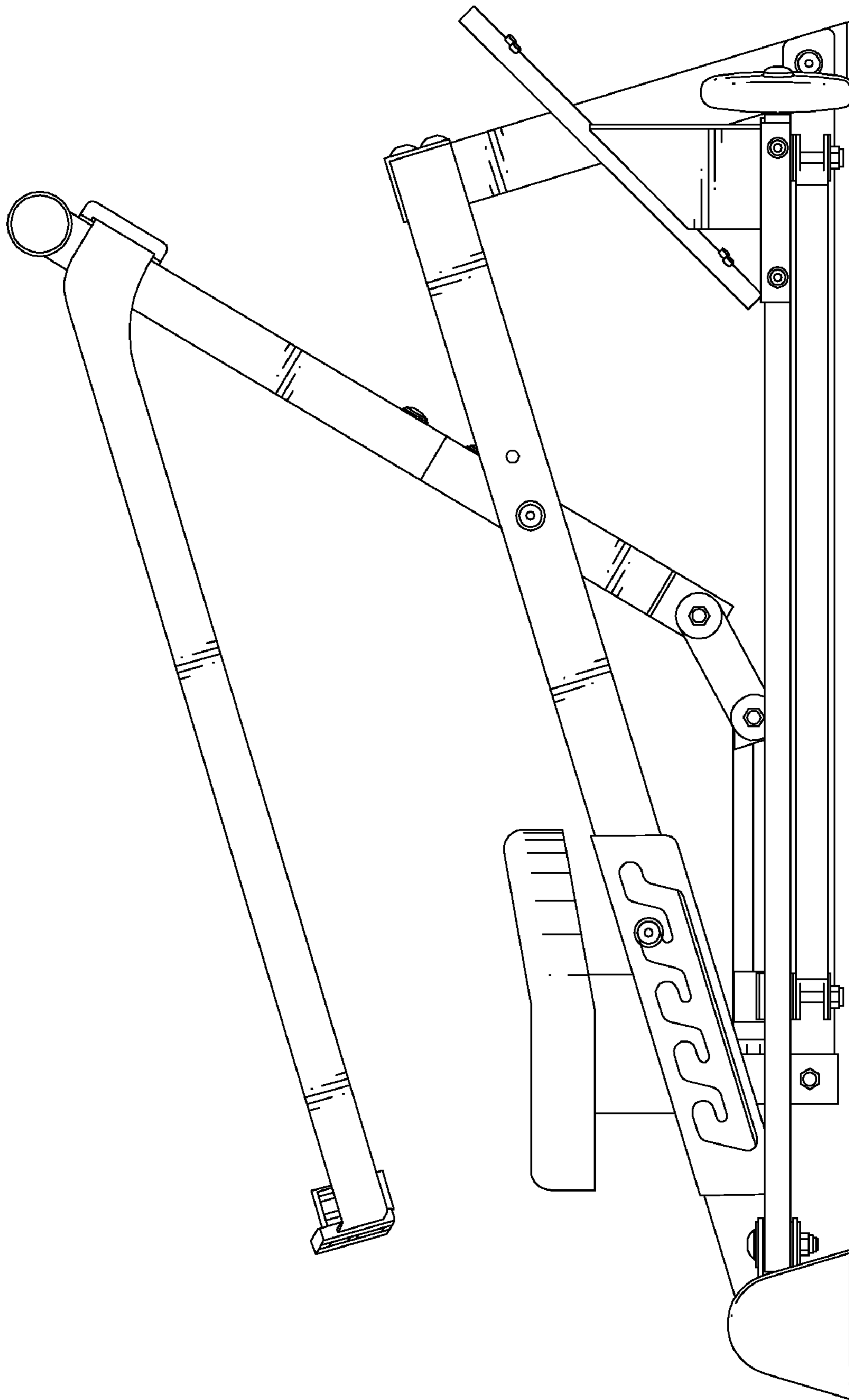


FIG.3

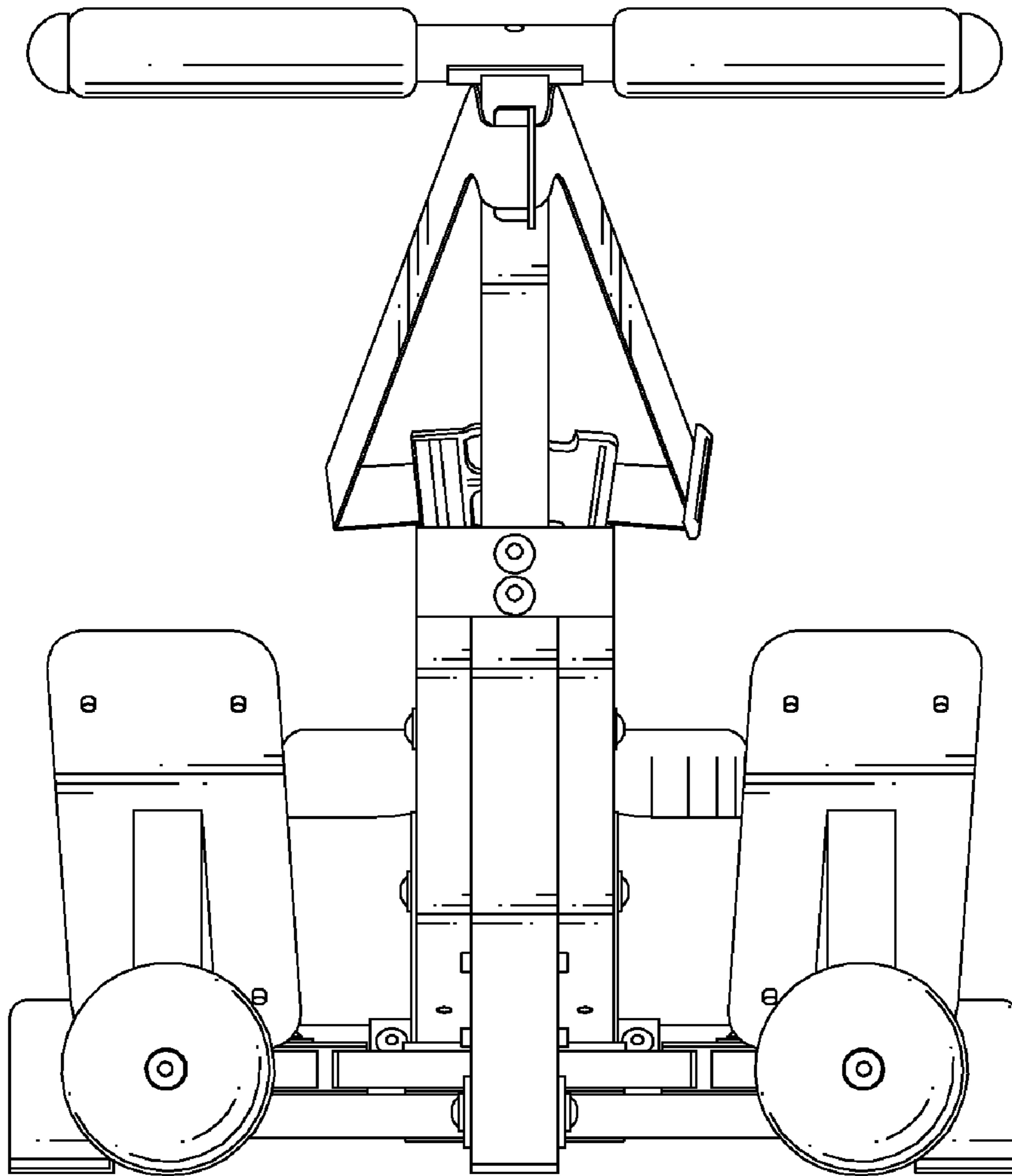


FIG.4

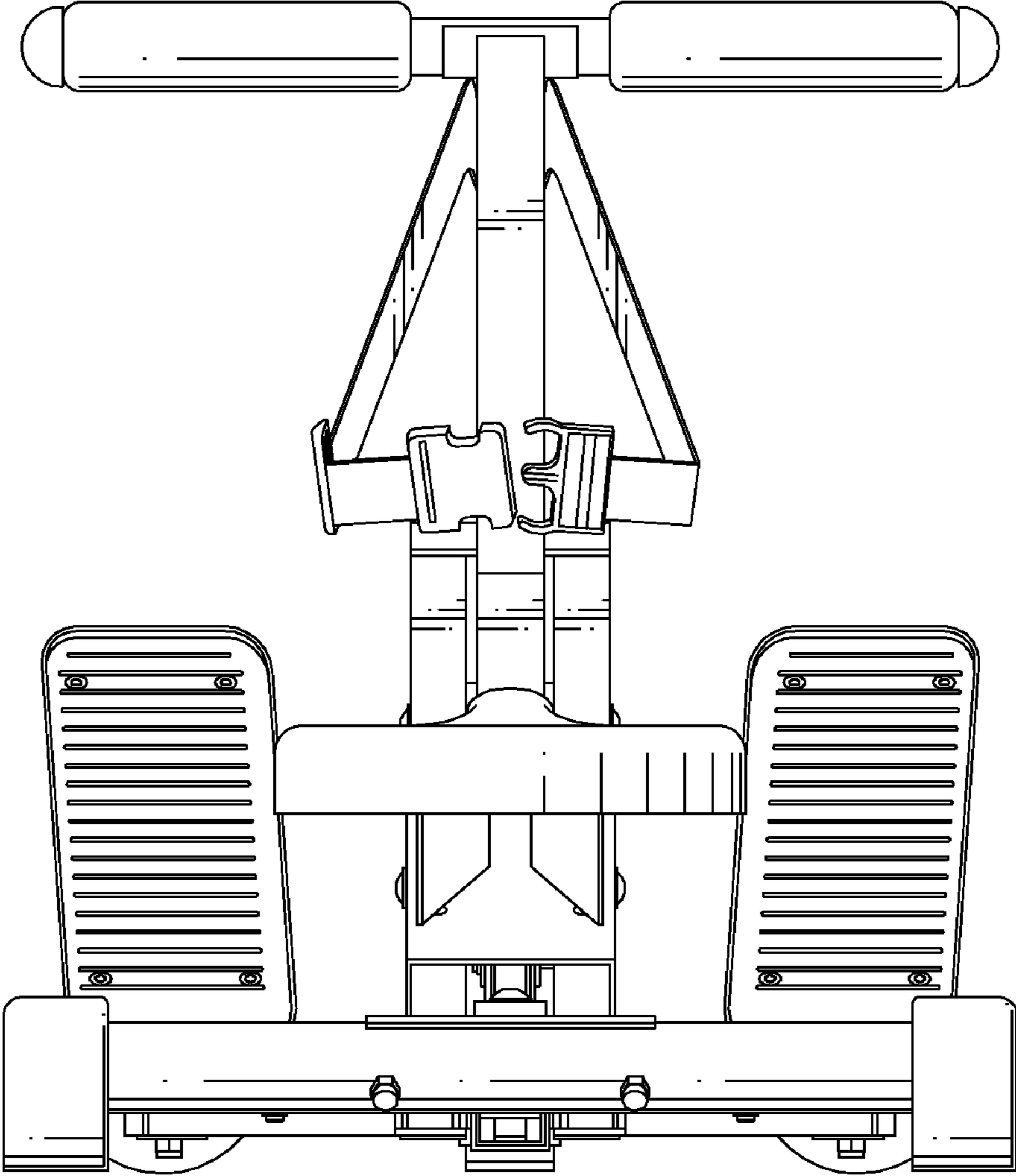


FIG.5

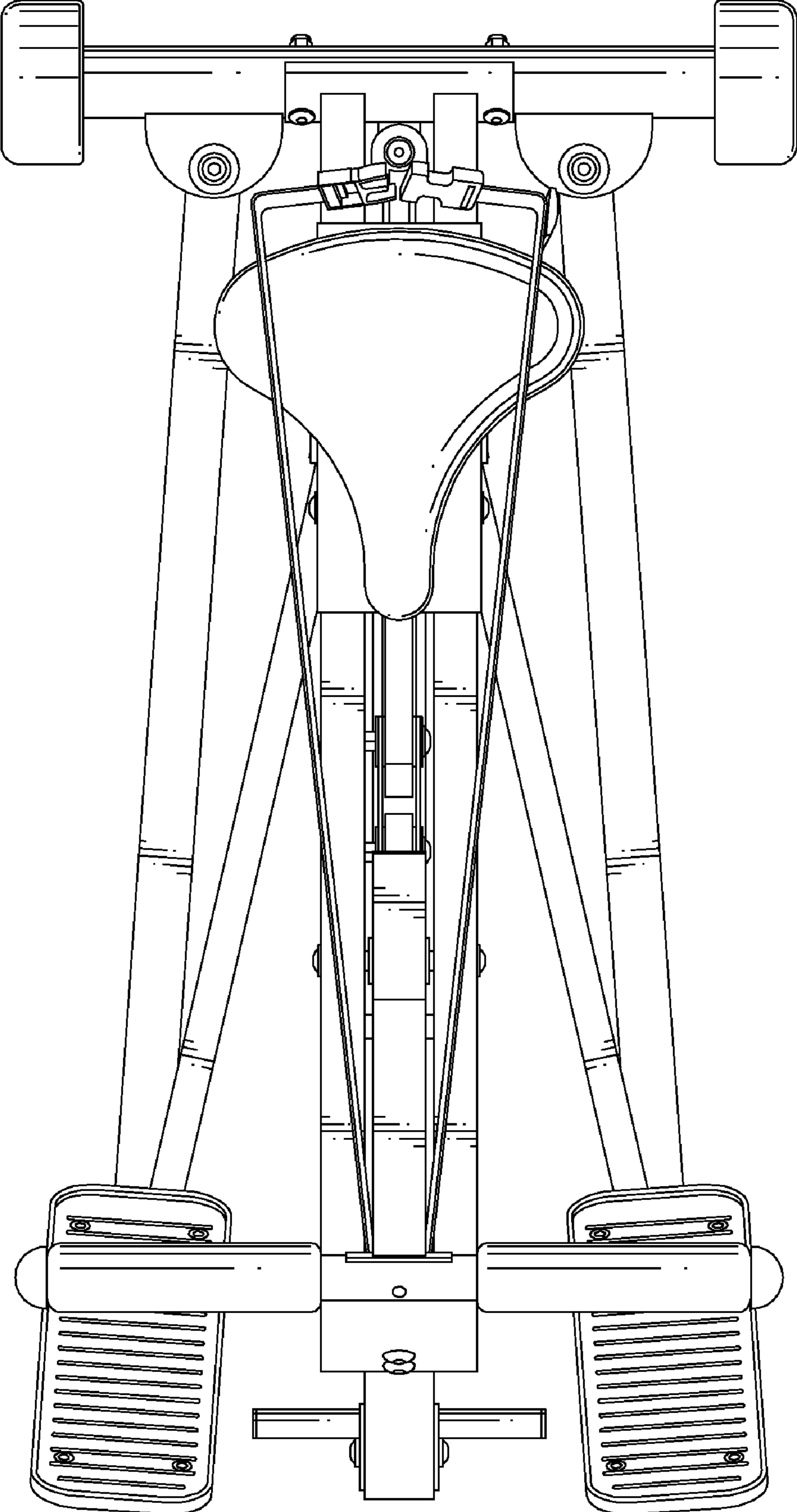


FIG.6

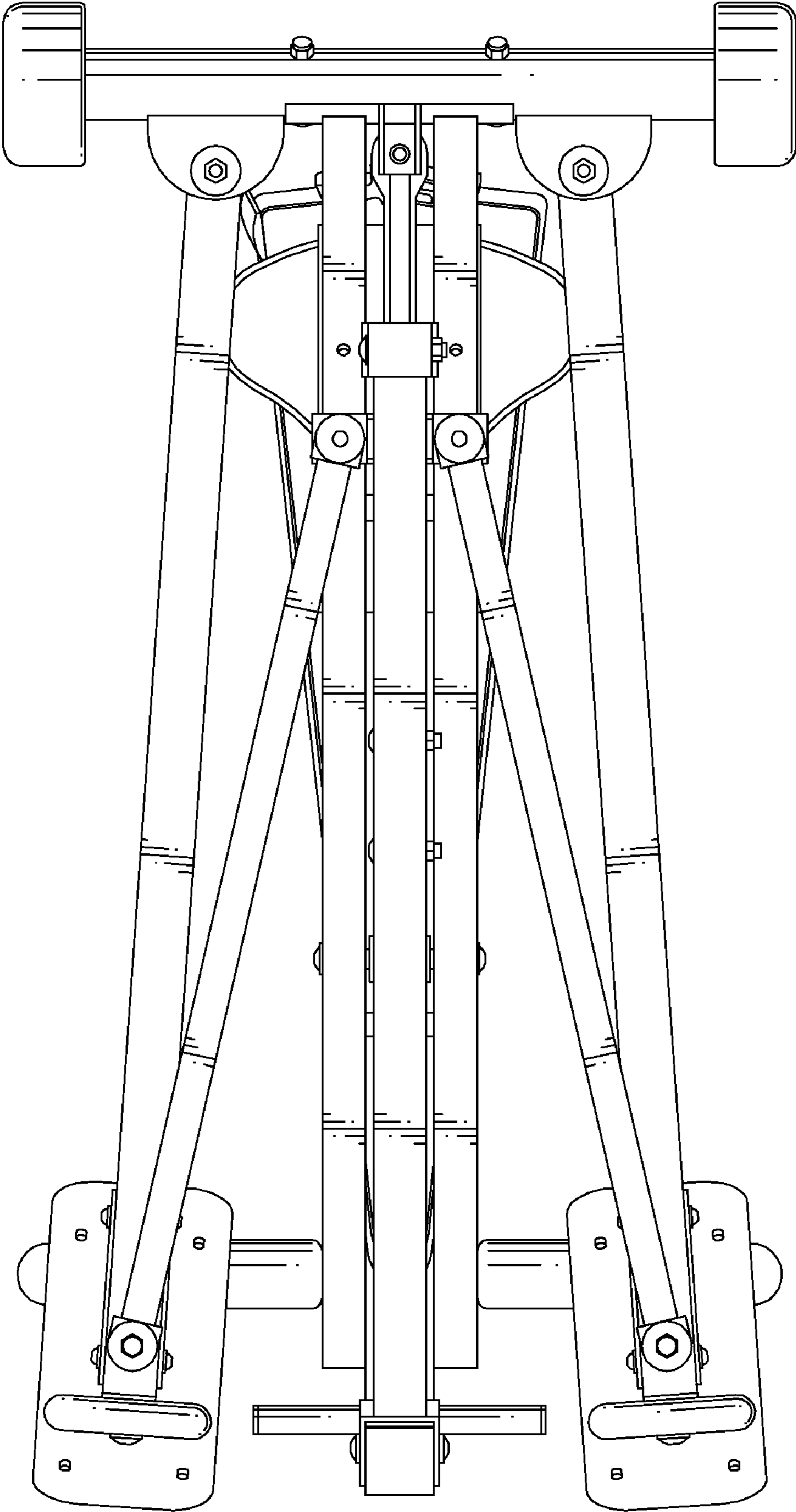


FIG.7