

US00D629049S

(12) **United States Design Patent**
McFarland

(10) **Patent No.:** **US D629,049 S**

(45) **Date of Patent:** **** *Dec. 14, 2010**

(54) **RUNNING BIKE**

(76) Inventor: **Ryan McFarland**, 23061 Hisega Rd.,
Rapid City, SD (US) 57702

(*) Notice: This patent is subject to a terminal disclaimer.

(**) Term: **14 Years**

(21) Appl. No.: **29/314,711**

(22) Filed: **Apr. 20, 2009**

(51) **LOC (9) Cl.** **21-01**

(52) **U.S. Cl.** **D21/419**; D12/111

(58) **Field of Classification Search** D12/111;
280/275–280, 288.1–288.3, 283–288, 827,
280/828, 274, 281.1; D21/538, 432, 419;
446/440

See application file for complete search history.

(56) **References Cited**

U.S. PATENT DOCUMENTS

D430,509 S * 9/2000 Stocksmeier D12/111
D504,845 S * 5/2005 Coerschulte D12/111
D512,664 S * 12/2005 Schreier D12/111

D537,758 S * 3/2007 Grepper D12/111
D561,649 S * 2/2008 Latham D12/111
D567,149 S * 4/2008 Grepper D12/111
D597,147 S * 7/2009 Verlinden D21/424
2004/0070165 A1 * 4/2004 Liebetrau et al. 280/259
2004/0201199 A1 * 10/2004 Liebetrau et al. 280/278
2007/0238585 A1 * 10/2007 Mondello et al. 482/57

* cited by examiner

Primary Examiner—Philip S Hyder

Assistant Examiner—Linda G. Brooks

(74) *Attorney, Agent, or Firm*—Gene R. Woodle

(57) **CLAIM**

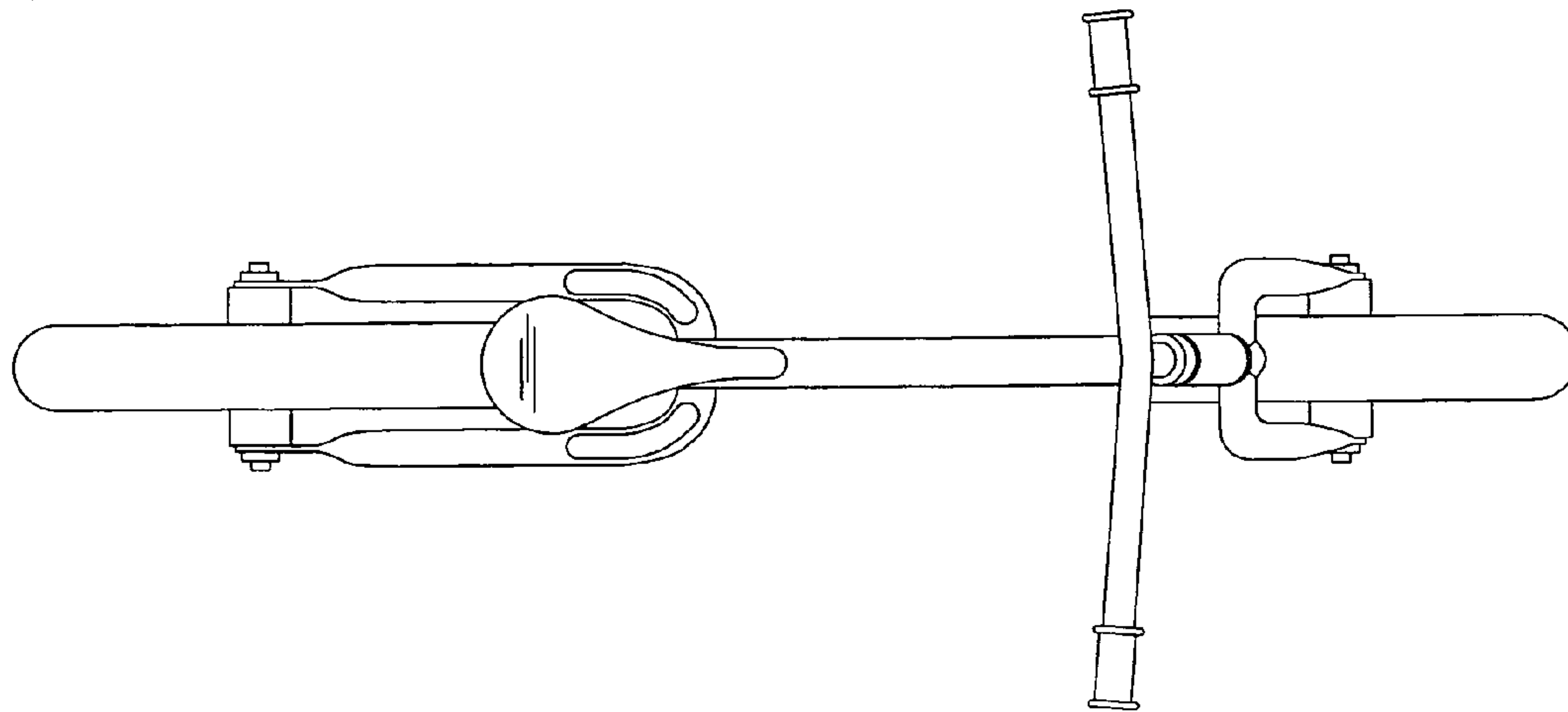
The ornamental design for a running bike, as shown and described.

DESCRIPTION

FIG. 1 is a top plan view of a running bike showing the design;
FIG. 2 is a side elevational view thereof;
FIG. 3 is a front elevational view thereof; and,
FIG. 4 is a rear elevational view thereof.

The broken lines illustrate portions of the running bike that form no part of the claimed design.

1 Claim, 2 Drawing Sheets



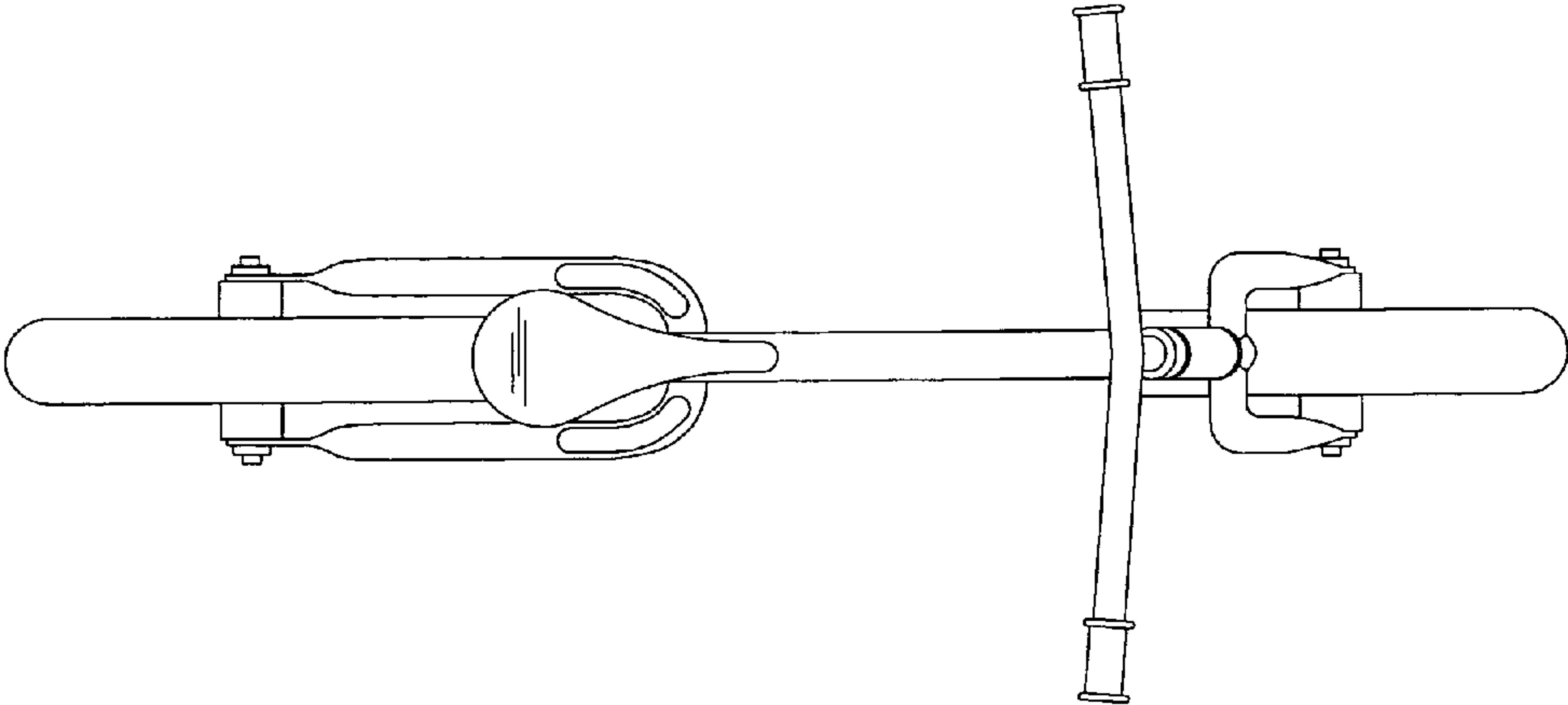


FIG. 1

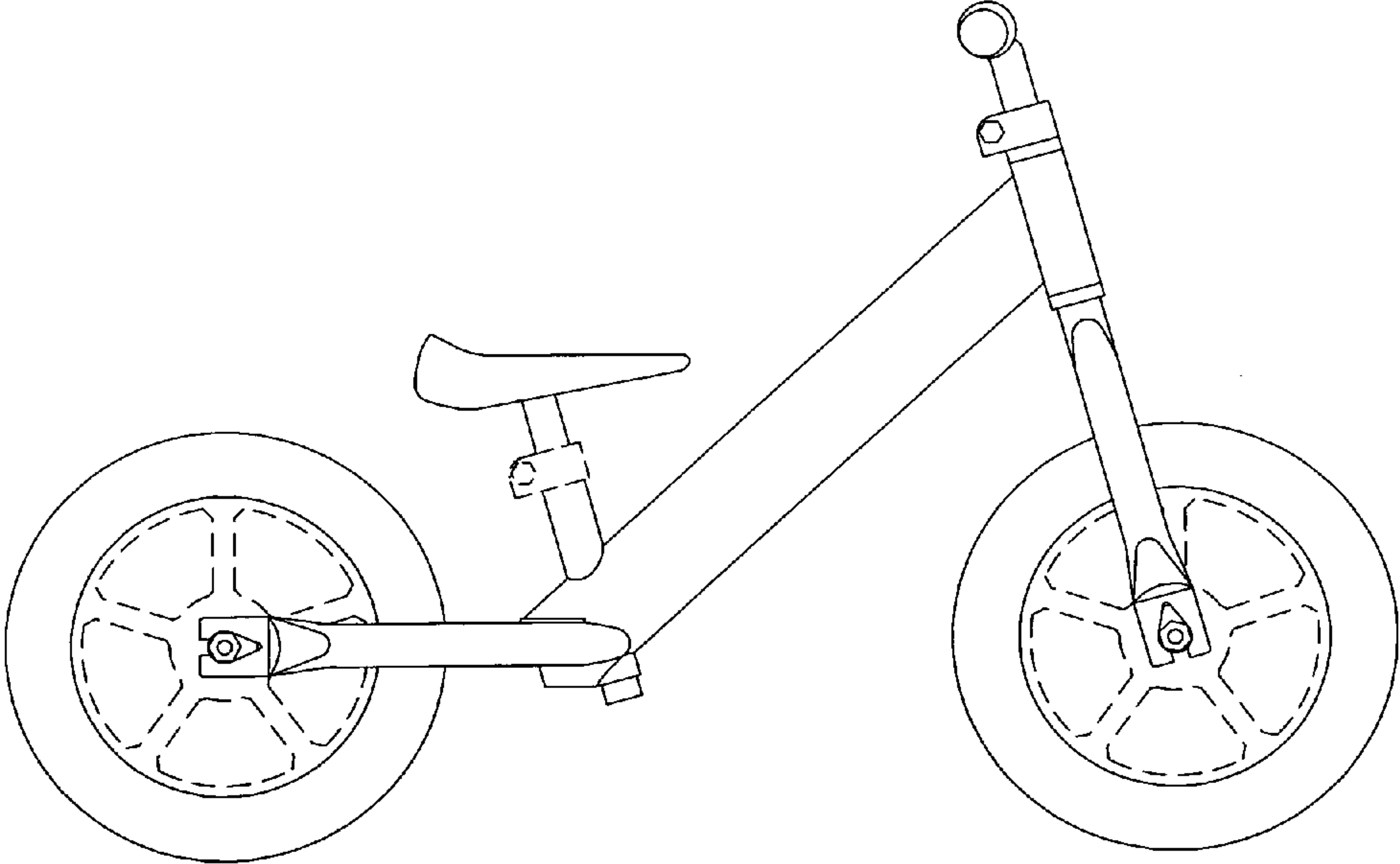


FIG. 2

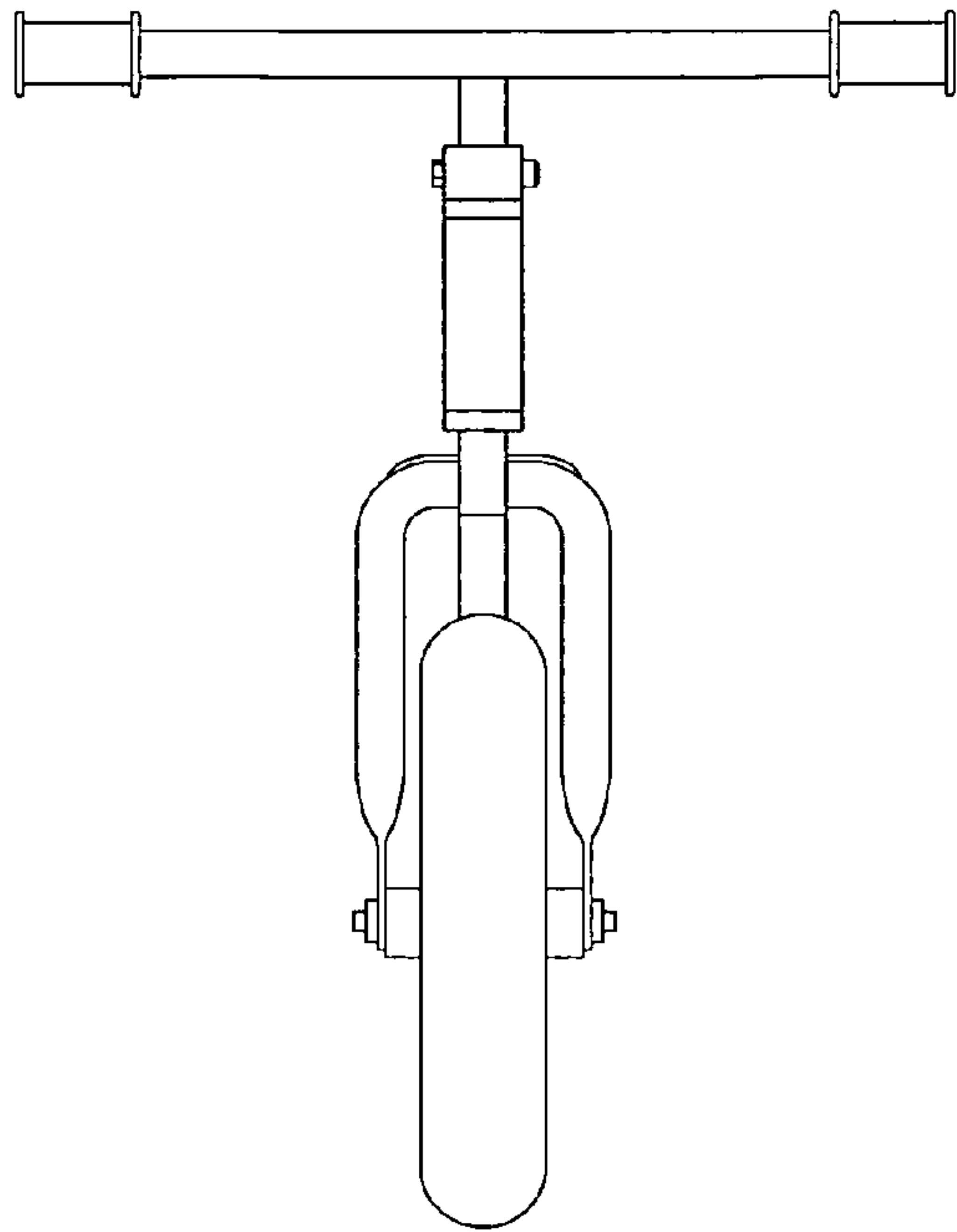


FIG. 3

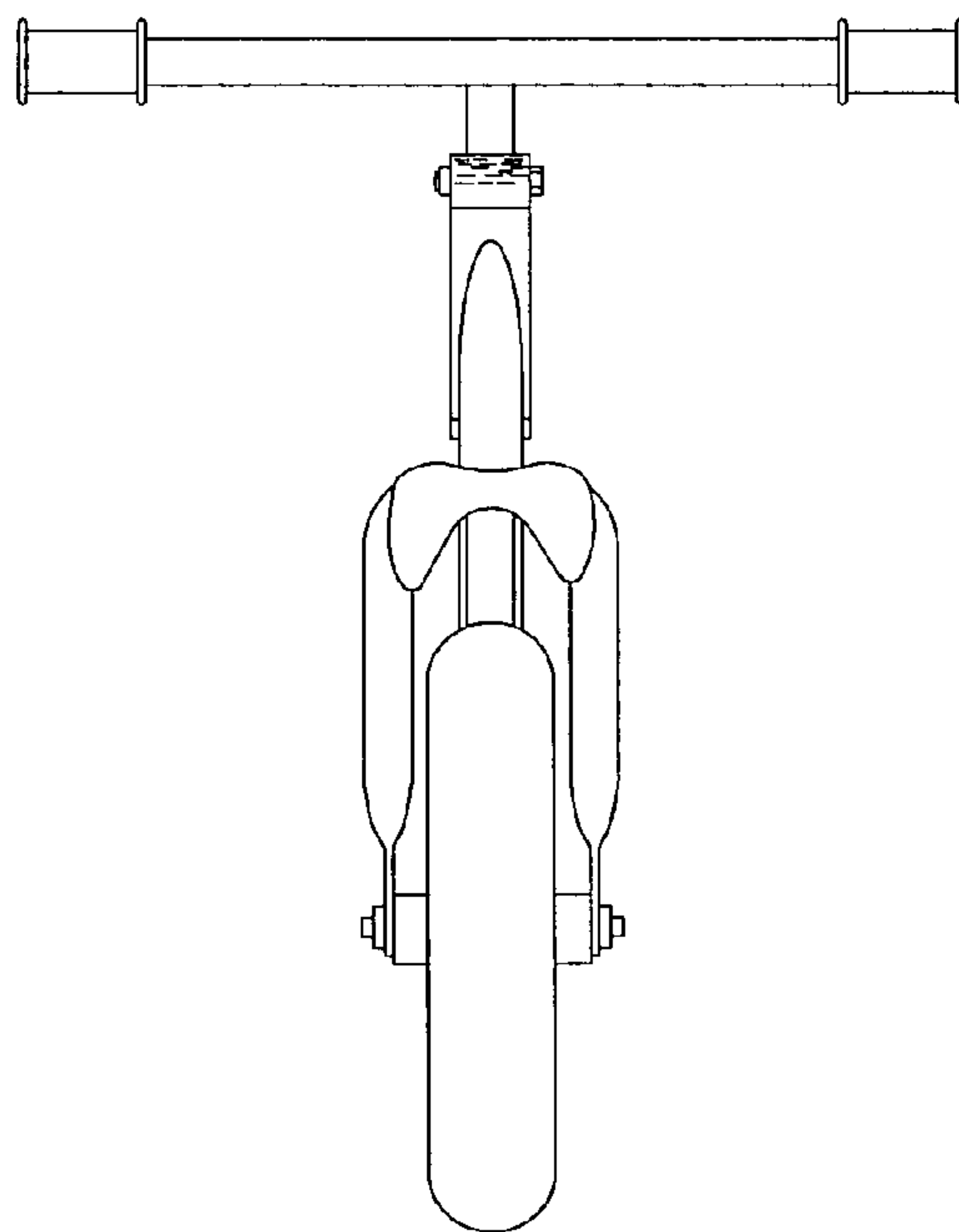


FIG. 4



US00D629049C1

(12) **EX PARTE REEXAMINATION CERTIFICATE** (166th)
Ex Parte Reexamination Ordered under 35 U.S.C. 257

United States Patent
McFarland

(10) **Number:** **US D629,049 C1**
(45) **Certificate Issued:** ***Mar. 23, 2020**

(54) **RUNNING BIKE**

(75) **Inventor:** **Ryan McFarland**, Rapid City, SD (US)

(73) **Assignee:** **STRIDER SPORTS INTERNATIONAL, INC.**, Rapid City, SD (US)

(52) **U.S. Cl.**

USPC **D21/419**; D12/111

(58) **Field of Classification Search**

USPC D12/111, 117, 406, 407
CPC . B62K 3/00; B62K 3/005; B62K 9/00; B62K 19/00; B62K 19/02; B62K 19/04; B62K 19/16

See application file for complete search history.

Supplemental Examination Request:
No. 96/000,222, Aug. 31, 2017

Reexamination Certificate for:

Patent No.: **Des. 629,049**
Issued: **Dec. 14, 2010**
Appl. No.: **29/314,711**
Filed: **Apr. 20, 2009**

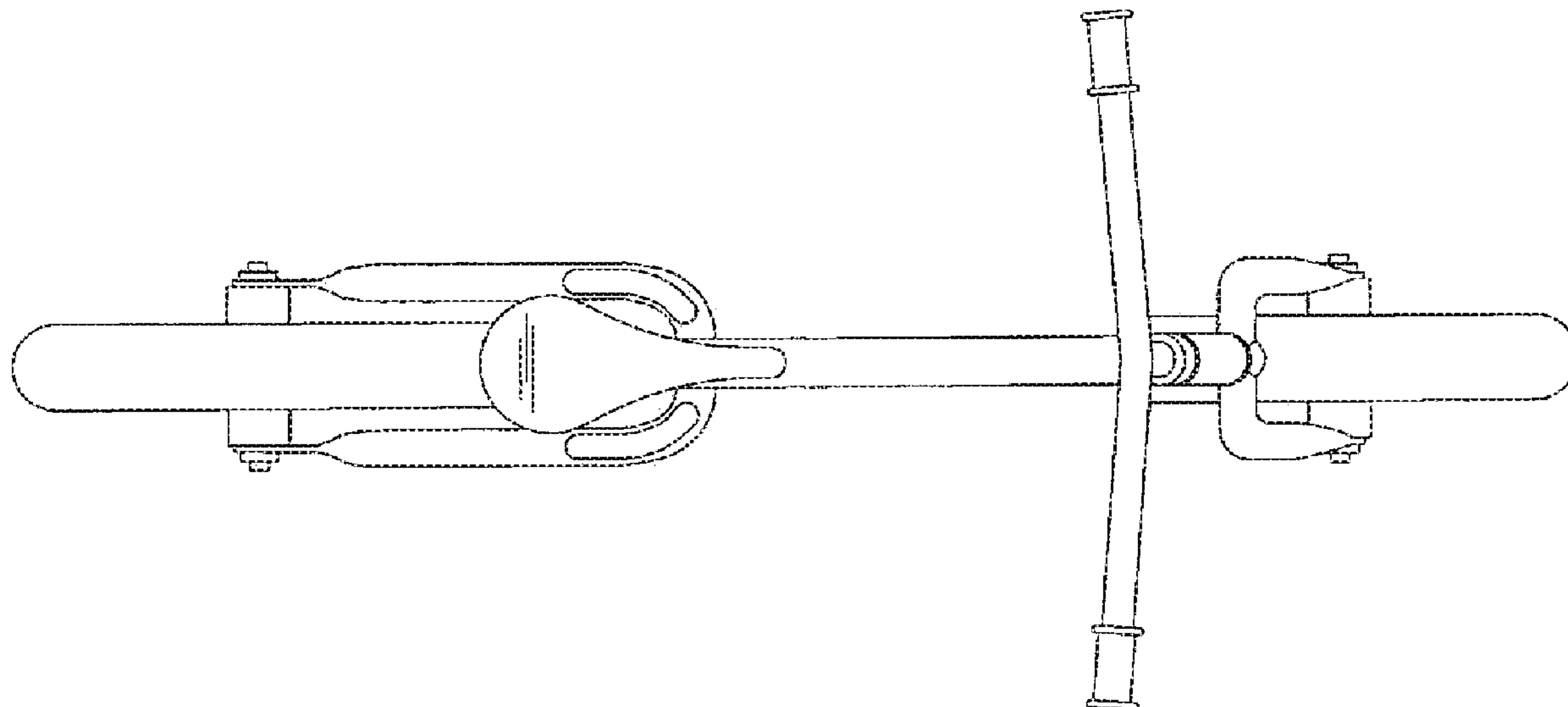
(56) **References Cited**

To view the complete listing of prior art documents cited during the supplemental examination proceeding and the resulting reexamination proceeding for Control Number 96/000,222, please refer to the USPTO's public Patent Application Information Retrieval (PAIR) system under the Display References tab.

(*) **Notice:** This patent is subject to a terminal disclaimer.

(51) **LOC (12) Cl.** **21-01**

Primary Examiner — Darlington Ly



1
EX PARTE
REEXAMINATION CERTIFICATE

THE PATENT IS HEREBY AMENDED AS
INDICATED BELOW.

5

AS A RESULT OF REEXAMINATION, IT HAS BEEN
DETERMINED THAT:

The claim 1 is cancelled.

10

* * * * *