

US00D629042S

(12) **United States Design Patent**  
**Regala**

(10) **Patent No.:** **US D629,042 S**

(45) **Date of Patent:** **\*\* Dec. 14, 2010**

(54) **COMBINED WRITING INSTRUMENT AND BOOKMARK**

(76) **Inventor:** **Alan C. Regala**, 6231 45th Ave. NE.,  
Seattle, WA (US) 98115

(\*\*) **Term:** **14 Years**

(21) **Appl. No.:** **29/350,946**

(22) **Filed:** **Nov. 25, 2009**

(51) **LOC (9) Cl.** ..... **19-06**

(52) **U.S. Cl.** ..... **D19/36; D19/34**

(58) **Field of Classification Search** ..... D19/35,  
D19/36, 41-51, 53-57, 34; 24/11 F, 11 P,  
24/11 R; 401/52, 99, 100, 104-109, 192,  
401/195, 196; 40/658; 116/234-240  
See application file for complete search history.

(56) **References Cited**

**U.S. PATENT DOCUMENTS**

D252,520	S	*	7/1979	Ijiri	.....	D19/46
D263,317	S	*	3/1982	Swensson	.....	D19/46
4,706,995	A	*	11/1987	Dopp	.....	281/42
4,815,880	A	*	3/1989	Sekiguchi	.....	401/6
5,093,760	A	*	3/1992	Bedol	.....	361/679.02
D500,518	S	*	1/2005	Fraser et al.	.....	D19/36
D518,101	S	*	3/2006	Boone-Johnson	.....	D19/34
D536,228	S	*	2/2007	Huang	.....	D8/48
D550,773	S	*	9/2007	Ternovits	.....	D19/53
D579,494	S	*	10/2008	Chan et al.	.....	D19/36

7,434,343	B2	*	10/2008	Yoshida	.....	40/666
D585,262	S	*	1/2009	Cheldin	.....	D8/104
D594,729	S	*	6/2009	Cheldin	.....	D8/104
D609,273	S	*	2/2010	Koreska	.....	D19/36
D615,587	S	*	5/2010	Wang	.....	D19/36
D617,798	S	*	6/2010	Liu	.....	D14/411

**OTHER PUBLICATIONS**

Everyday Innovations Bookmarker Flag Pen And Bookmark, model No. BM1, 5 pages, first available on Amazon May 17, 2005, www.amazon.com , downloaded Aug. 3, 2010.\*

\* cited by examiner

*Primary Examiner*—Elizabeth A Albert

(74) *Attorney, Agent, or Firm*—Fliesler Meyer LLP

(57) **CLAIM**

The ornamental design for a combined writing instrument and bookmark, as shown and described.

**DESCRIPTION**

FIG. 1 is a perspective view of a combined writing instrument and bookmark showing my new design;

FIG. 2 is a front view thereof;

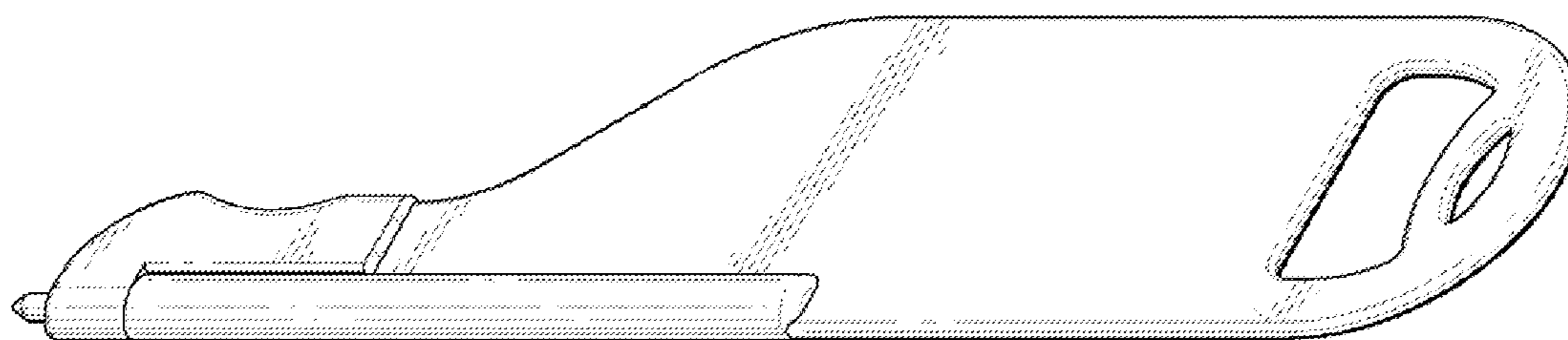
FIG. 3 is a left side view thereof;

FIG. 4 is a bottom view thereof;

FIG. 5 is a rear view thereof; and,

FIG. 6 is a top view thereof.

**1 Claim, 2 Drawing Sheets**



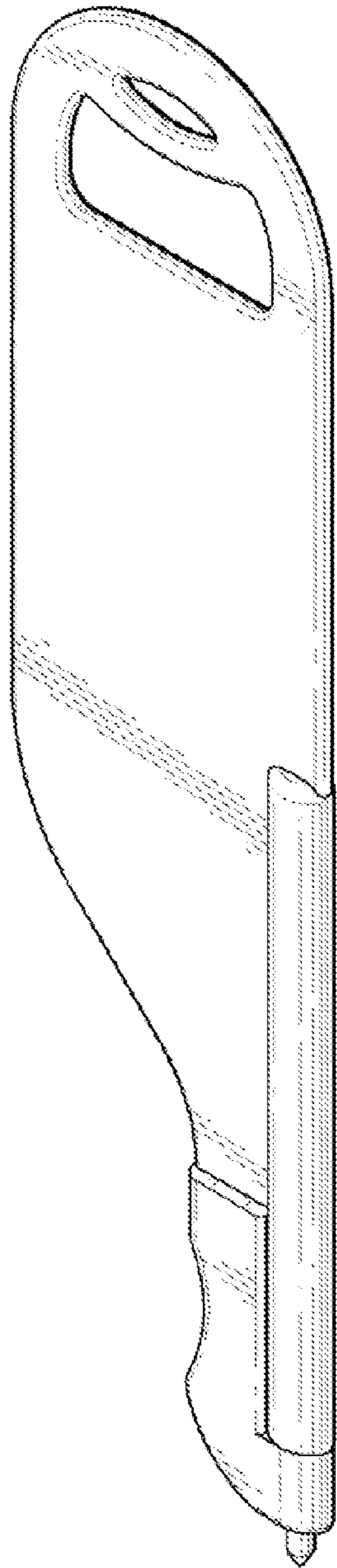


FIG. 1

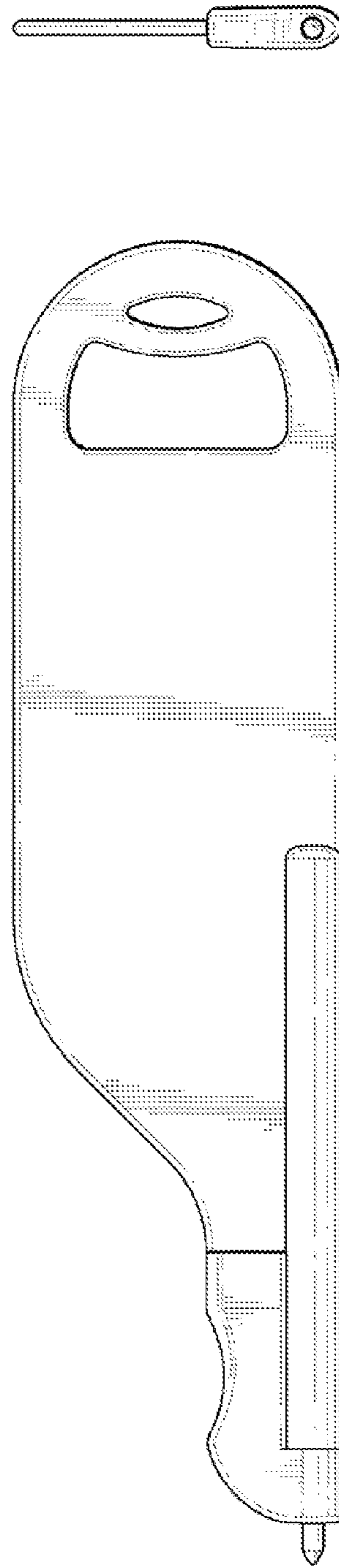
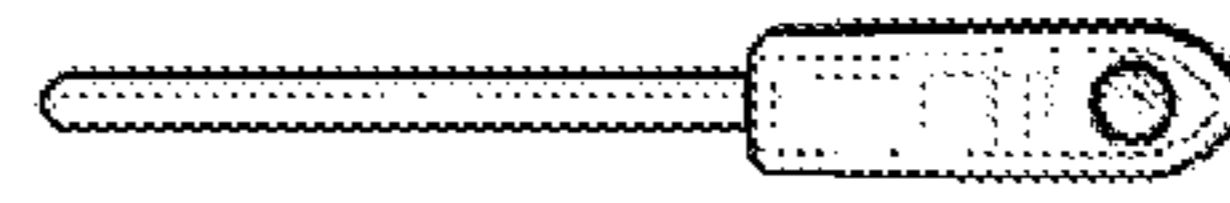


FIG. 2

FIG. 3



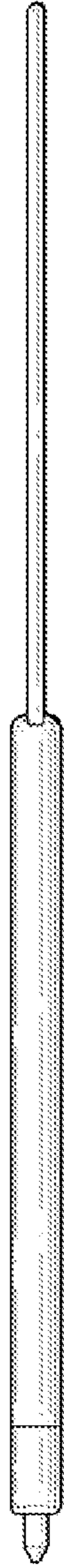


FIG. 4

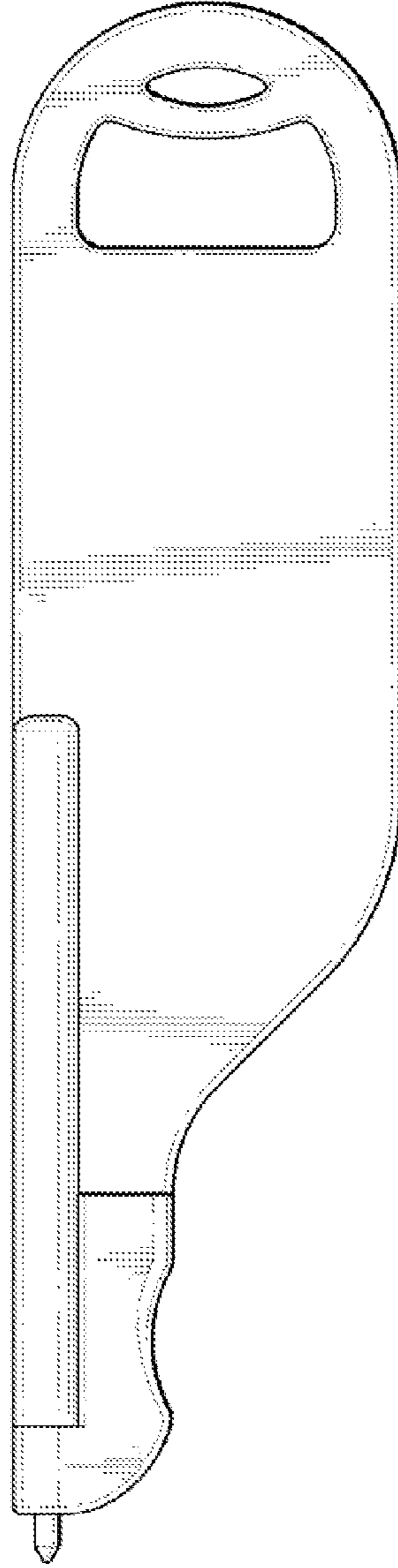


FIG. 5



FIG. 6