



US00D629040S

(12) **United States Design Patent**  
**Ricci et al.**

(10) **Patent No.:** **US D629,040 S**

(45) **Date of Patent:** **\*\* Dec. 14, 2010**

(54) **MEDIA CARTRIDGE**

(75) Inventors: **Carolyn M. Ricci**, Grayslake, IL (US);  
**Robert McLeod**, Chicago, IL (US);  
**Martin Schwan**, Chicago, IL (US);  
**Chandrakant K. Shah**, Niles, IL (US)

(73) Assignee: **ZIH Corp.**, Hamilton (BM)

(\*\*) Term: **14 Years**

(21) Appl. No.: **29/322,057**

(22) Filed: **Jul. 29, 2008**

(51) **LOC (9) Cl.** ..... **18-02**

(52) **U.S. Cl.** ..... **D18/56**

(58) **Field of Classification Search** ..... D18/43,  
D18/56; 347/86-87

See application file for complete search history.

(56) **References Cited**

**U.S. PATENT DOCUMENTS**

D319,070 S \* 8/1991 Lavander ..... D18/56  
5,278,584 A \* 1/1994 Keefe et al. .... 347/87  
D347,241 S \* 5/1994 Watanabe et al. .... D18/56

(Continued)

*Primary Examiner*—Cathy Anne MacCormac  
(74) *Attorney, Agent, or Firm*—Alston & Bird LLP

(57) **CLAIM**

The ornamental design for a media cartridge, as shown and described.

**DESCRIPTION**

FIG. 1 is a perspective view of a media cartridge according to an embodiment of our new design;

FIG. 2 is a left side elevational view of the media cartridge of FIG. 1;

FIG. 3 is a front elevational view of the media cartridge of FIG. 1;

FIG. 4 is a right side elevational view of the media cartridge of FIG. 1;

FIG. 5 is a rear elevational view of the media cartridge of FIG. 1;

FIG. 6 is a top plan view of the media cartridge of FIG. 1;

FIG. 7 is a bottom plan view of the media cartridge of FIG. 1;

FIG. 8 is a perspective view of a media cartridge according to another embodiment of our new design;

FIG. 9 is a left side elevational view of the media cartridge of FIG. 8;

FIG. 10 is a front elevational view of the media cartridge of FIG. 8;

FIG. 11 is a right side elevational view of the media cartridge of FIG. 8;

FIG. 12 is a rear elevational view of the media cartridge of FIG. 8;

FIG. 13 is a top plan view of the media cartridge of FIG. 8;

FIG. 14 is a bottom plan view of the media cartridge of FIG. 8;

FIG. 15 is a perspective view of a media cartridge according to another embodiment of our new design;

FIG. 16 is a left side elevational view of the media cartridge of FIG. 15;

FIG. 17 is a front elevational view of the media cartridge of FIG. 15;

FIG. 18 is a right side elevational view of the media cartridge of FIG. 15;

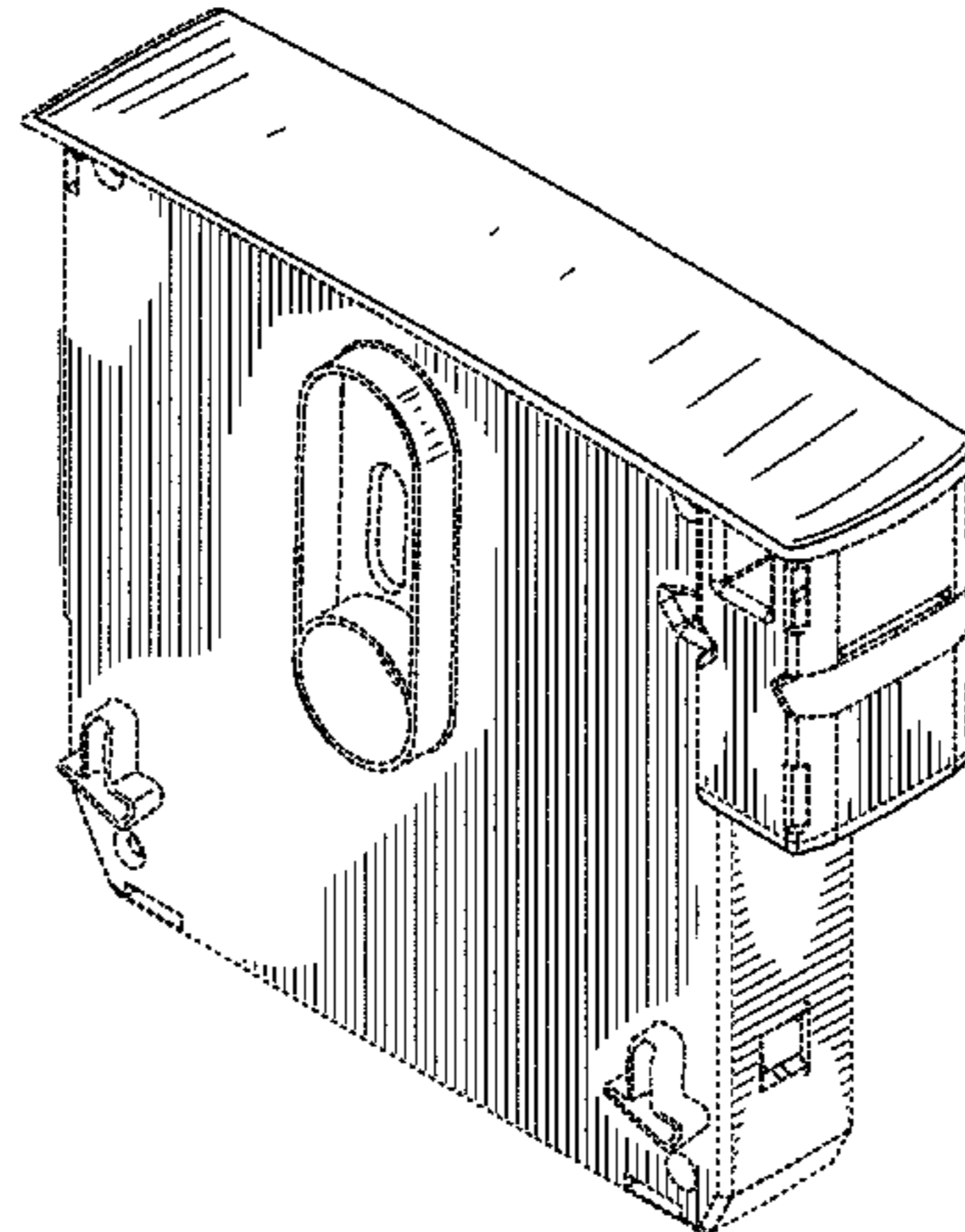
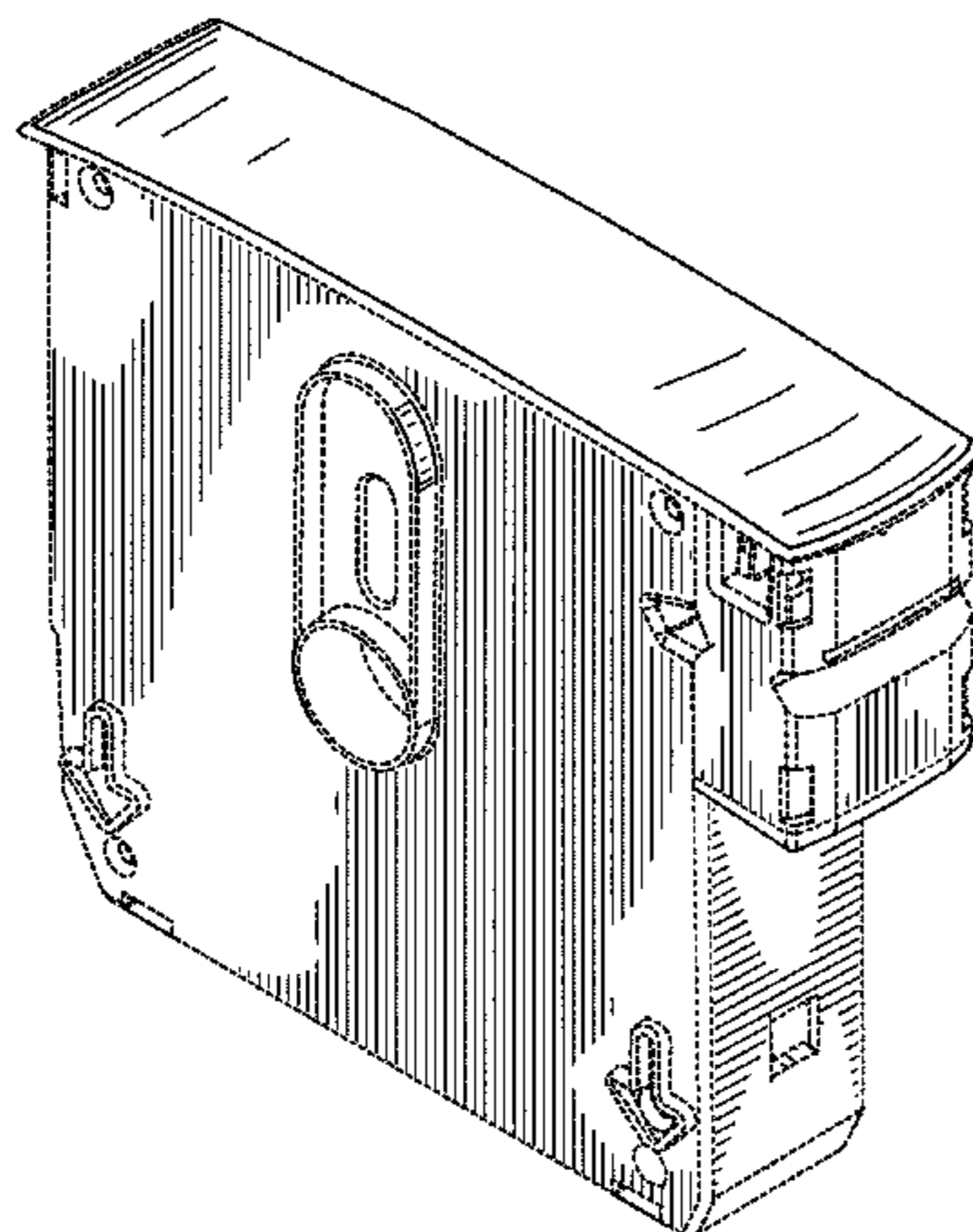
FIG. 19 is a rear elevational view of the media cartridge of FIG. 15;

FIG. 20 is a top plan view of the media cartridge of FIG. 15; and,

FIG. 21 is a bottom plan view of the media cartridge of FIG. 15.

The broken lines shown herein are for illustrative purposes only and form no part of the claimed design.

**1 Claim, 21 Drawing Sheets**



# US D629,040 S

Page 2

---

## U.S. PATENT DOCUMENTS

D355,928 S *	2/1995	Tokuda et al. ....	D18/56	D481,756 S *	11/2003	Shinada et al. ....	D18/56
D361,343 S *	8/1995	Kaplinsky et al. ....	D18/56	D536,374 S *	2/2007	Shinada et al. ....	D18/56
D383,488 S *	9/1997	Sasaki .....	D18/56	D540,855 S *	4/2007	Umezawa et al. ....	D18/56
D438,241 S *	2/2001	Shinada et al. ....	D18/56	D541,335 S *	4/2007	Katsuyama et al. ....	D18/56
D438,560 S *	3/2001	Inoue et al. ....	D18/56	D563,462 S *	3/2008	Wanibe et al. ....	D18/56
D440,600 S *	4/2001	Seino et al. ....	D18/56	2007/0229630 A1 *	10/2007	Komplin .....	347/87

\* cited by examiner

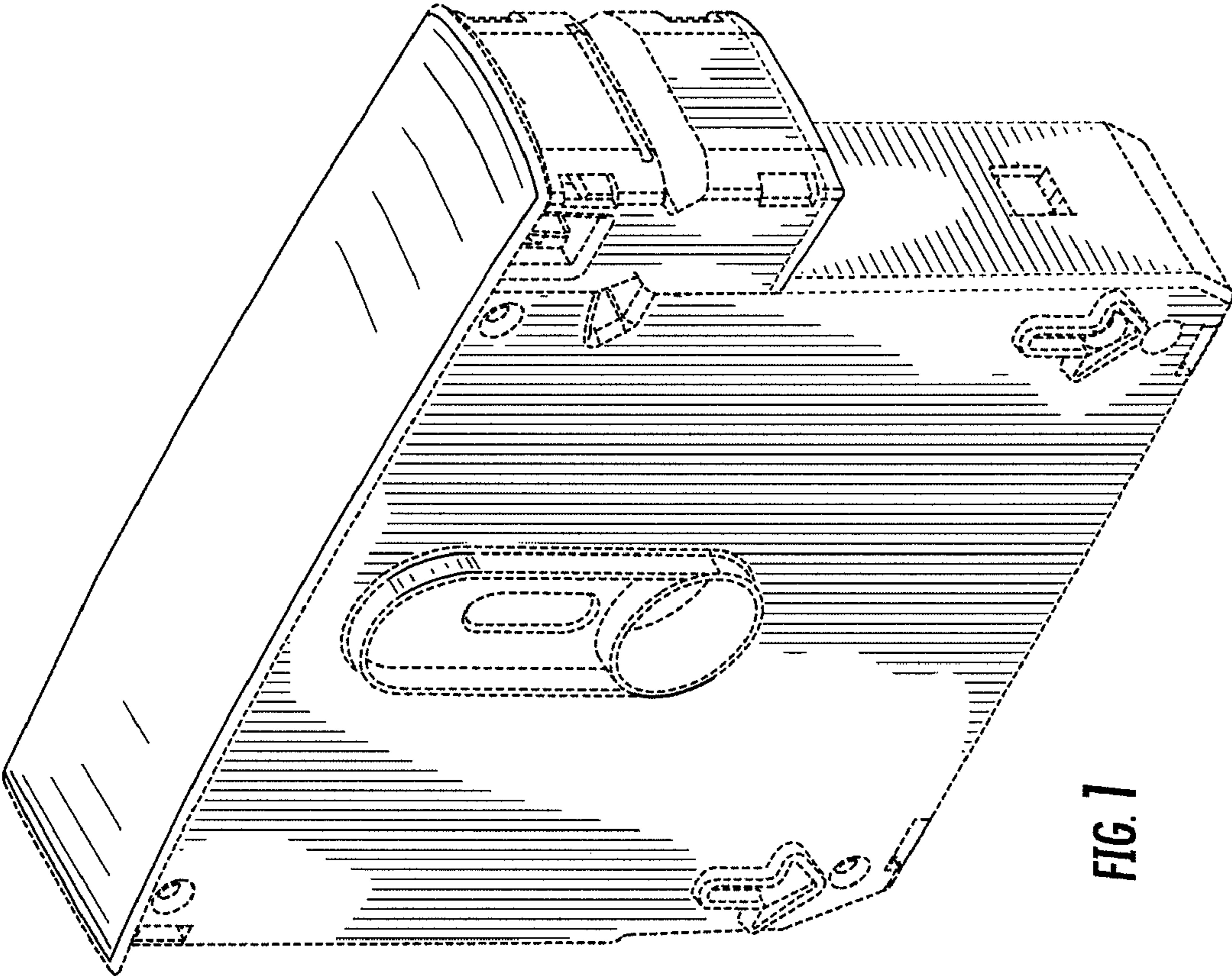


FIG. 1

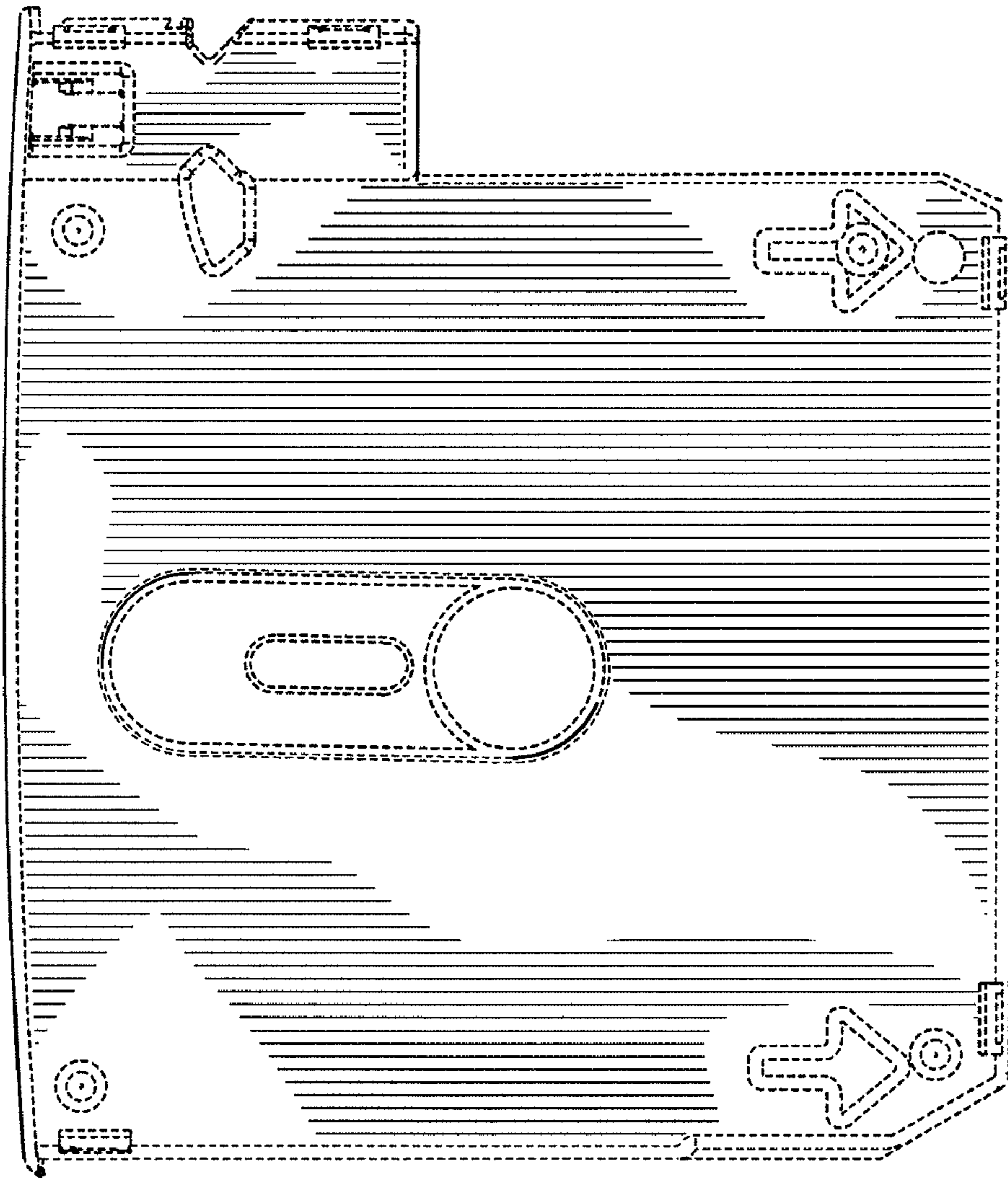
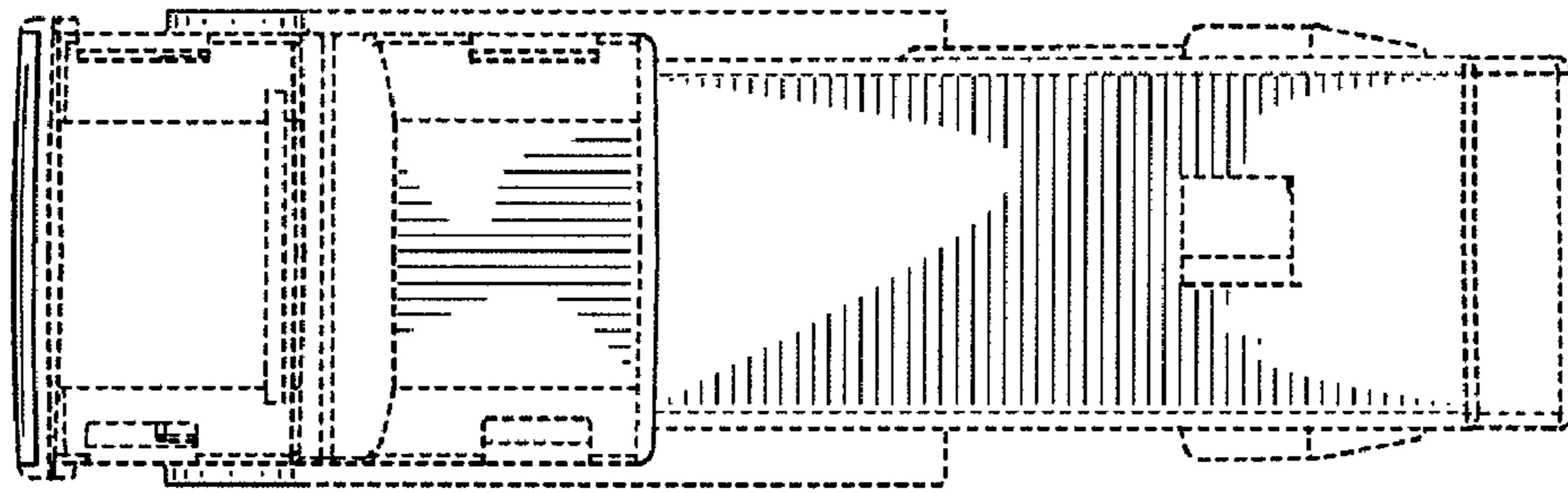


FIG. 2



**FIG. 3**

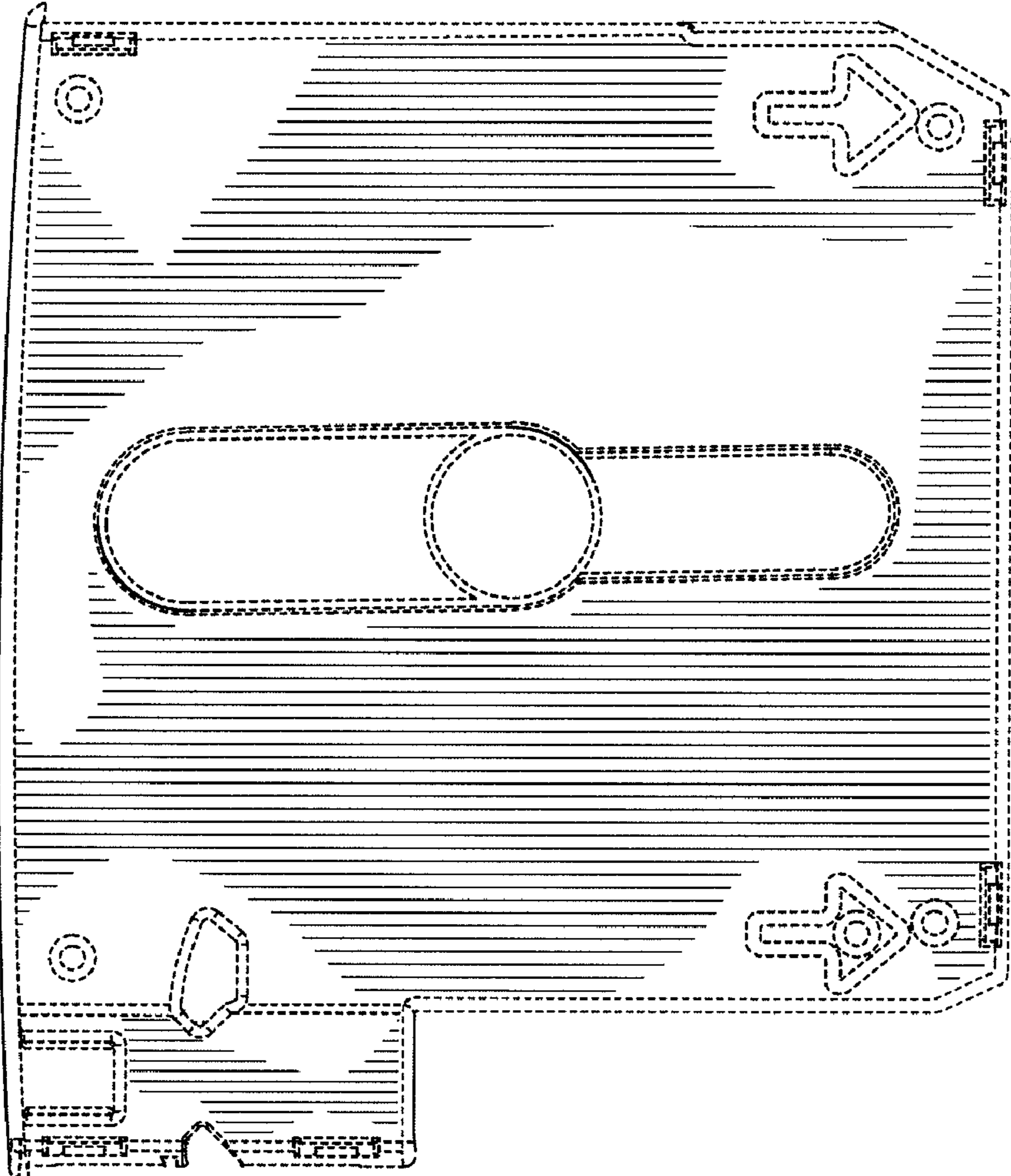


FIG. 4

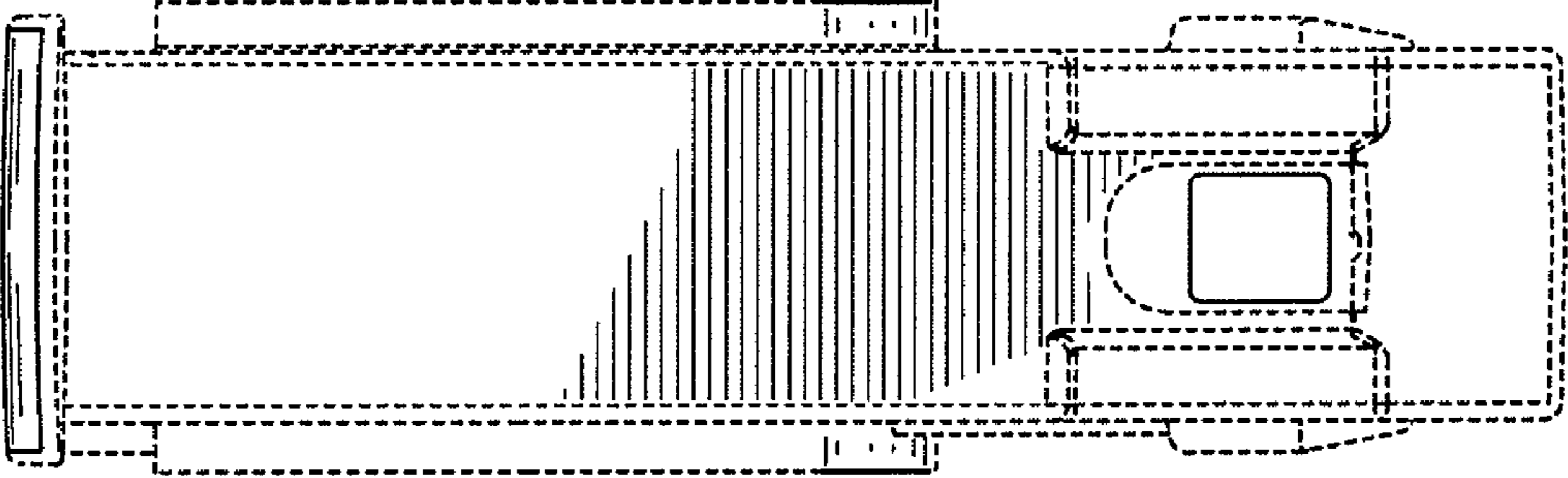


FIG. 5

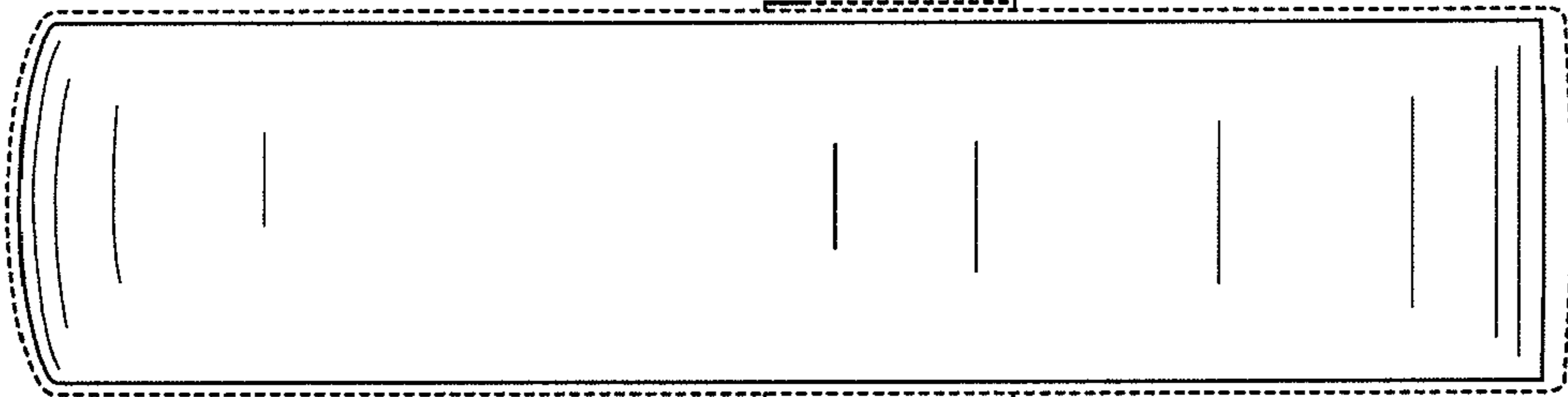


FIG. 6



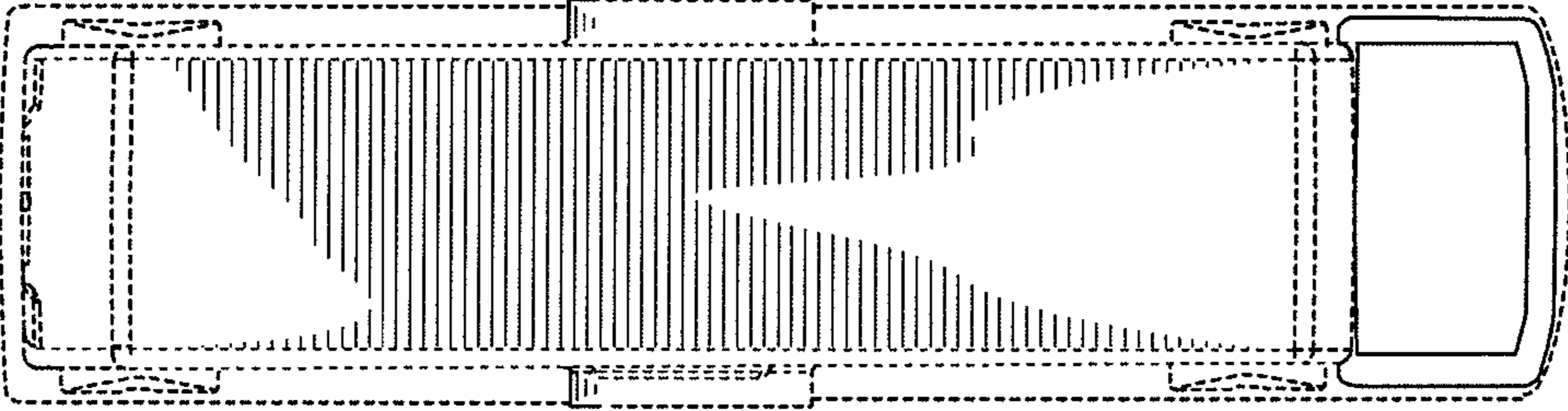


FIG. 7

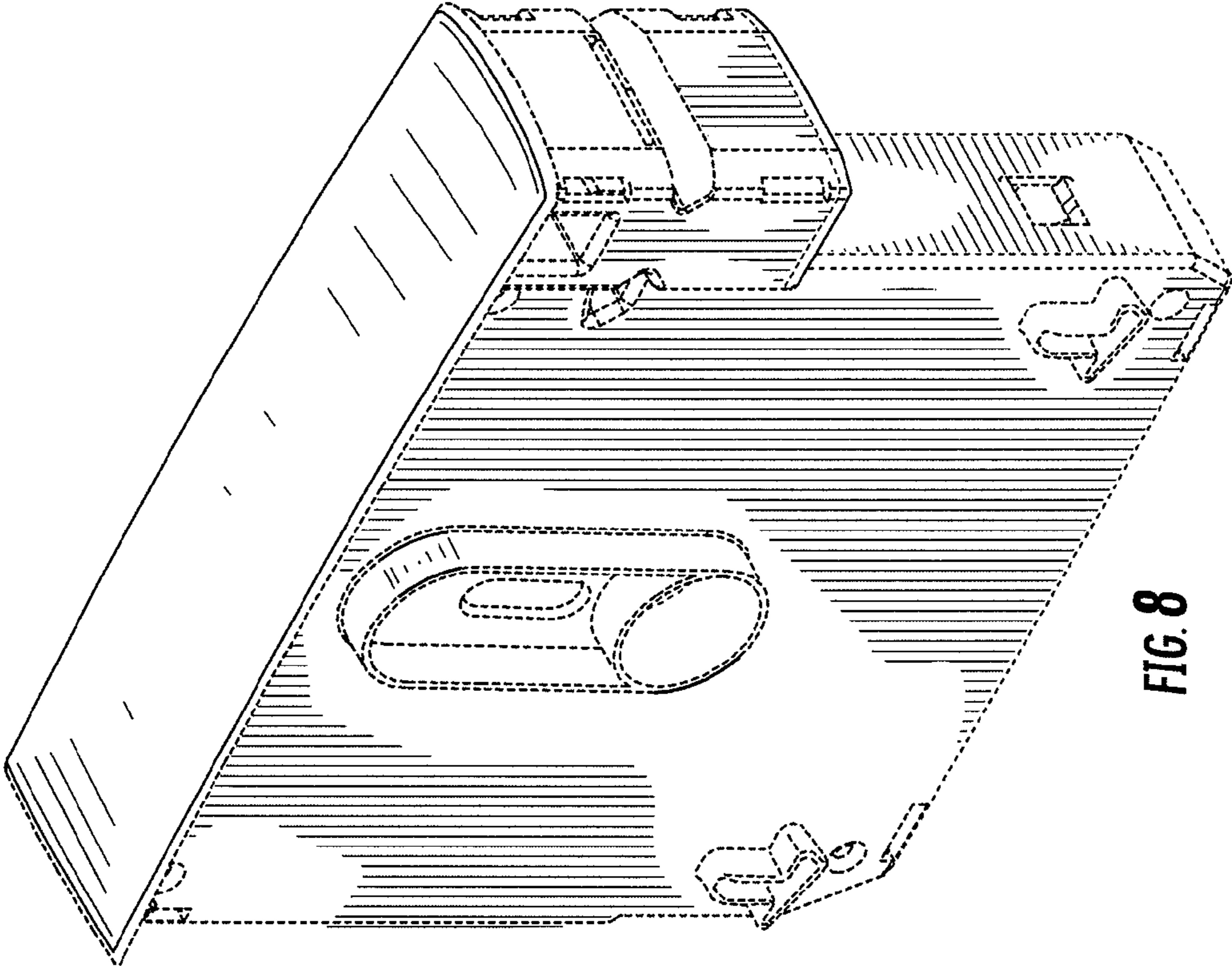


FIG. 8

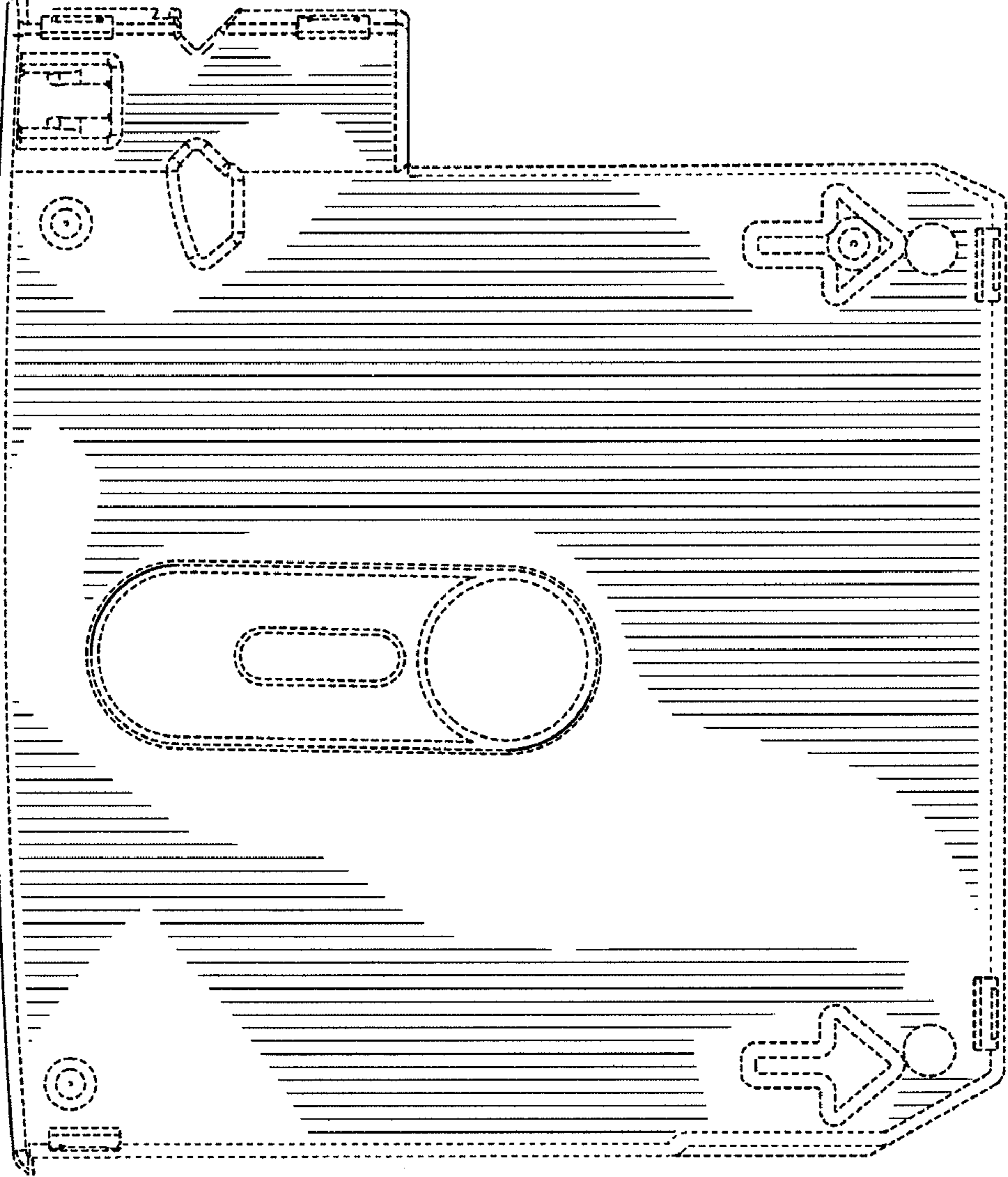
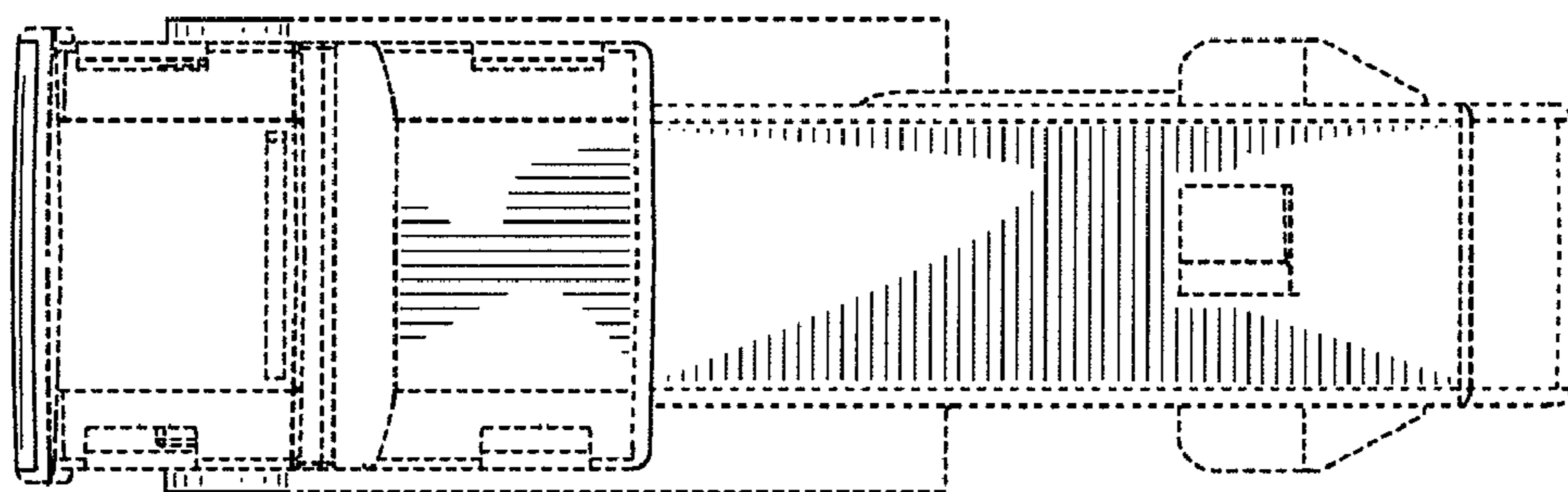


FIG. 9



**FIG. 10**

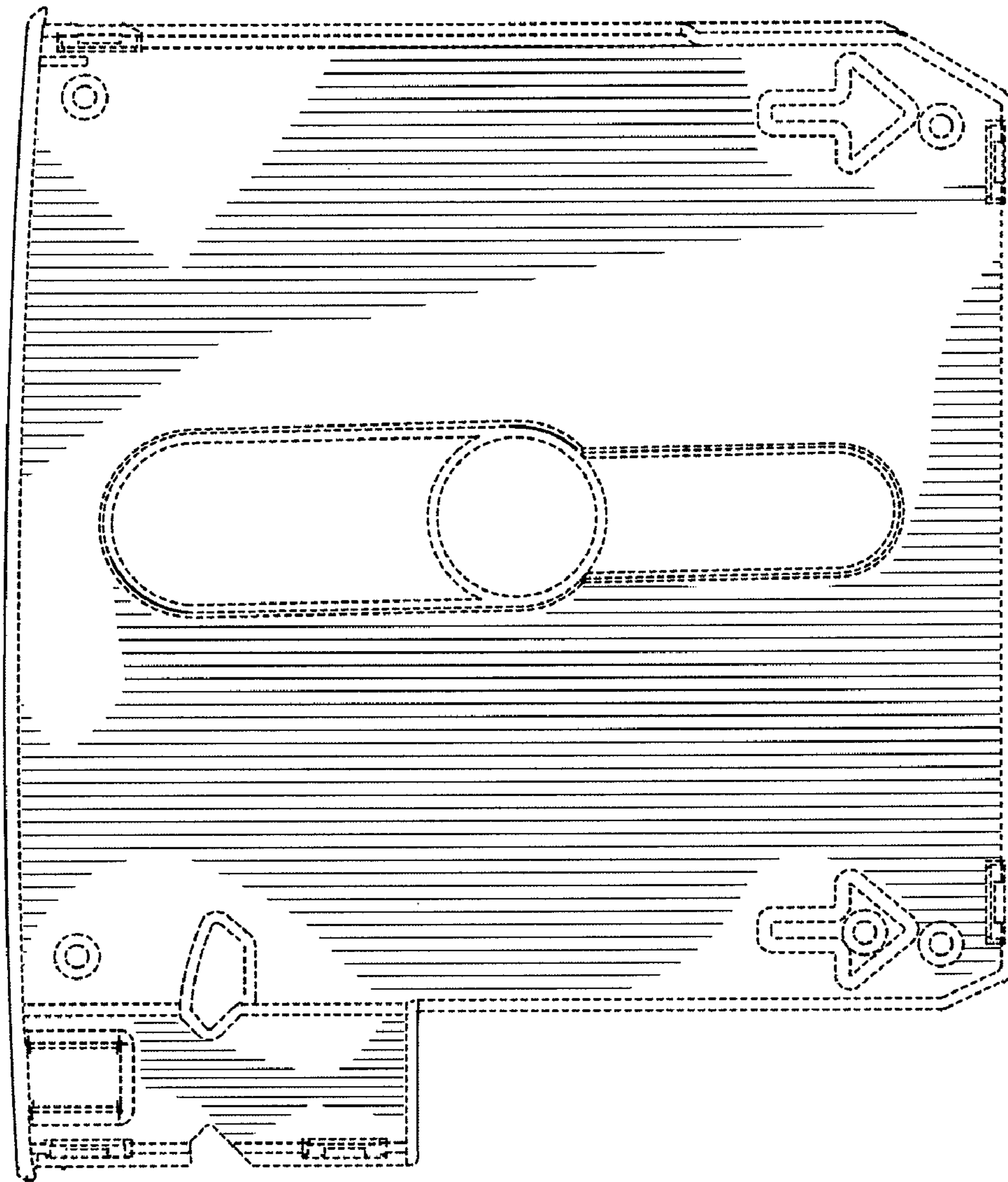


FIG. 11

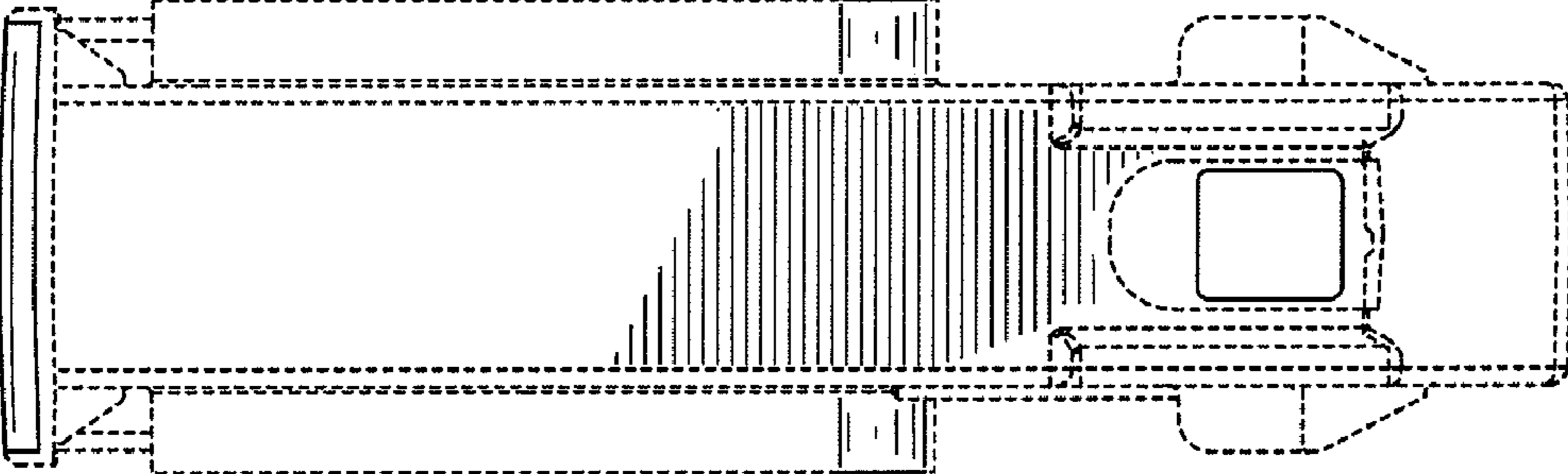


FIG. 12

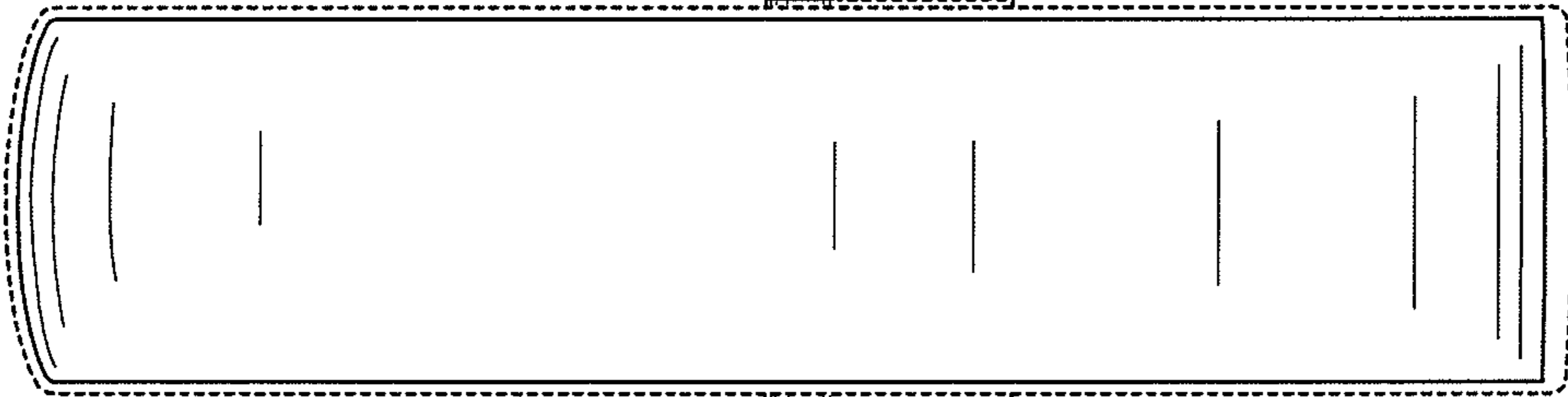


FIG. 13

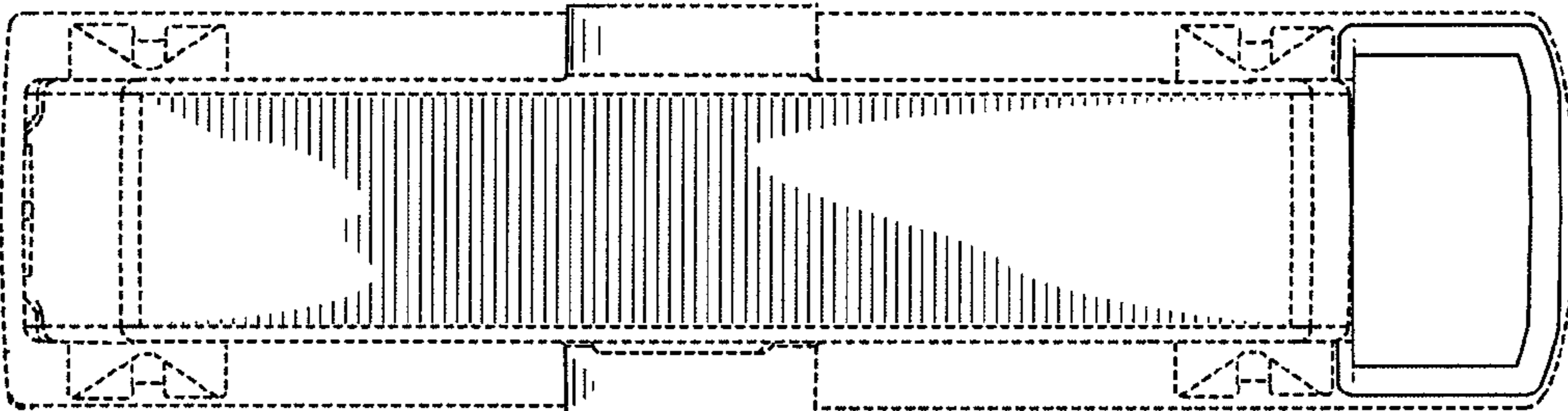


FIG. 14



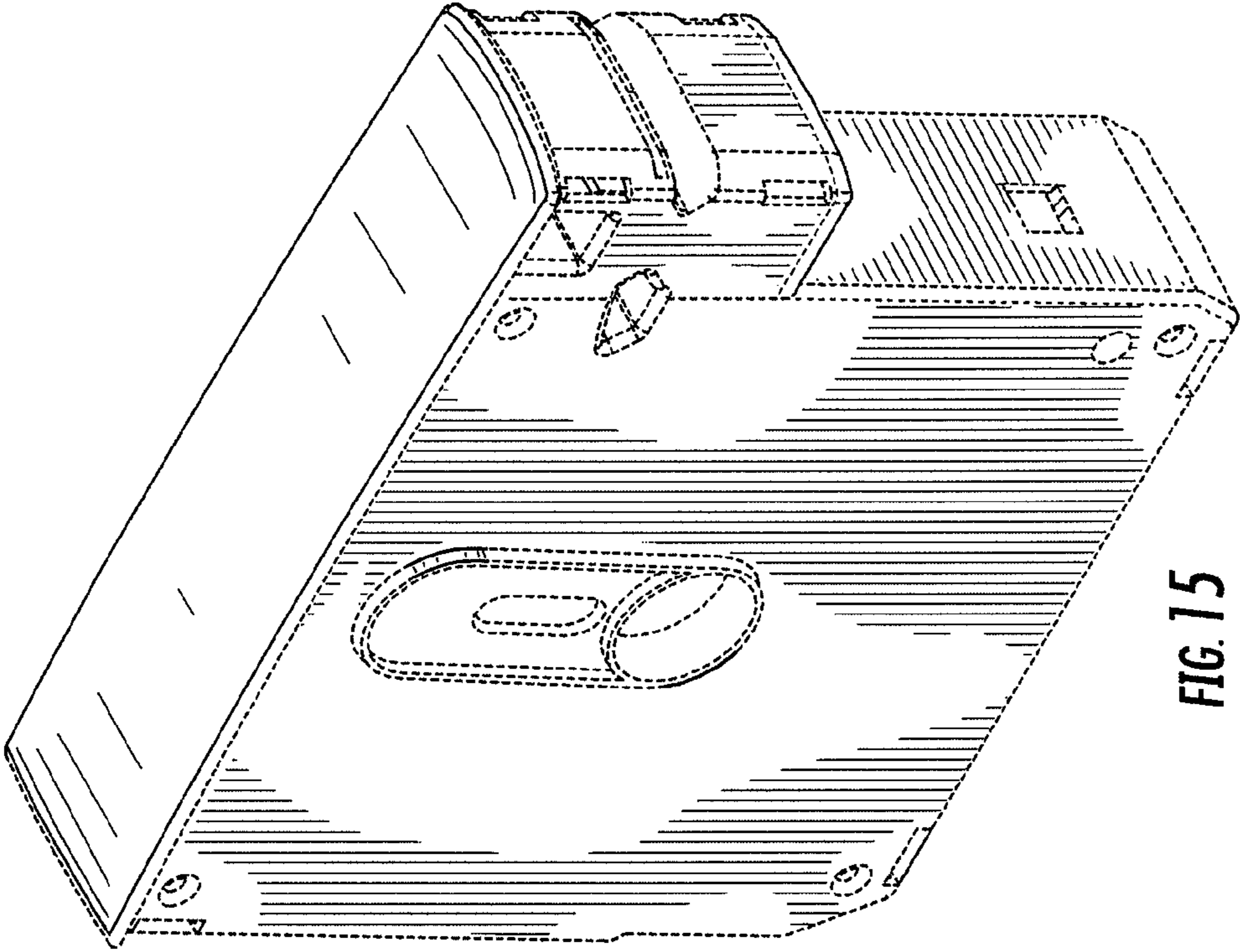


FIG. 15

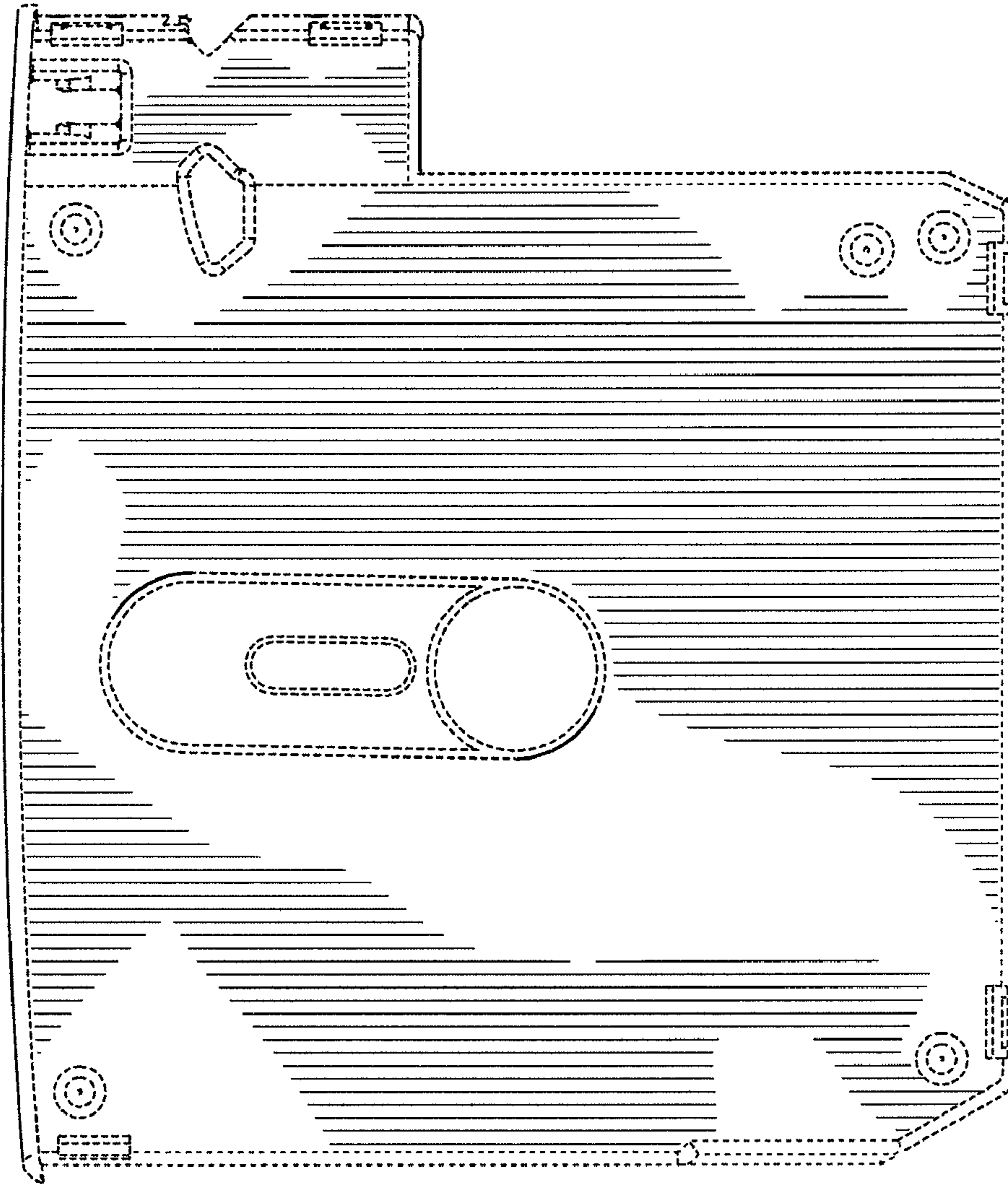
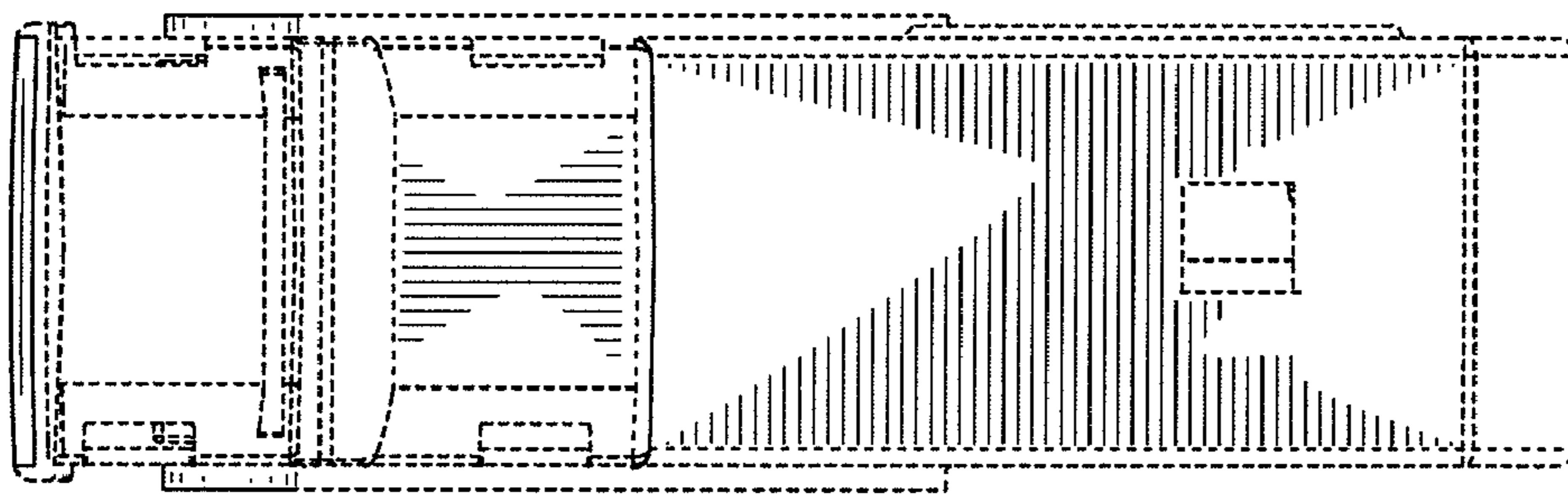


FIG. 16



**FIG. 17**

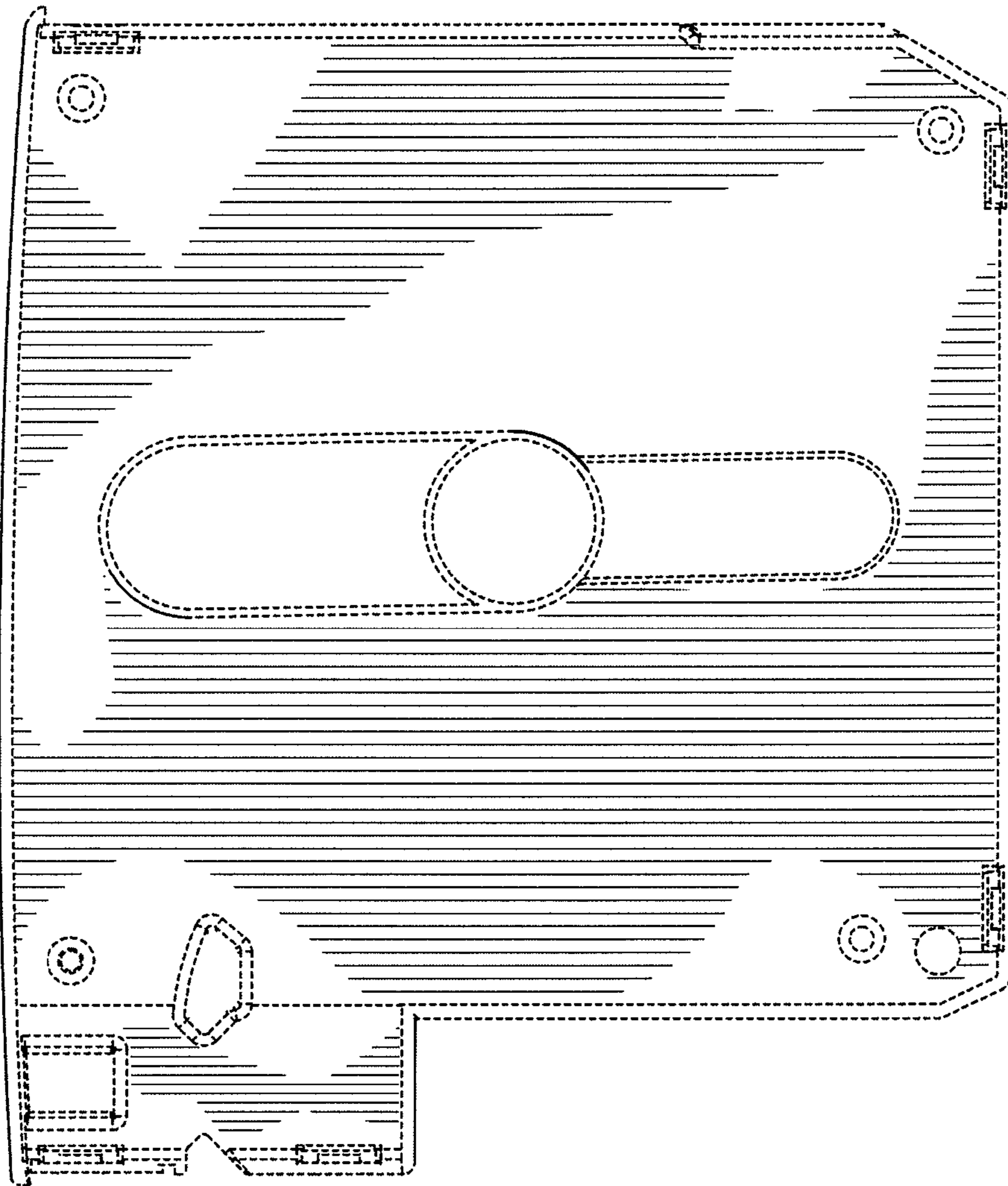
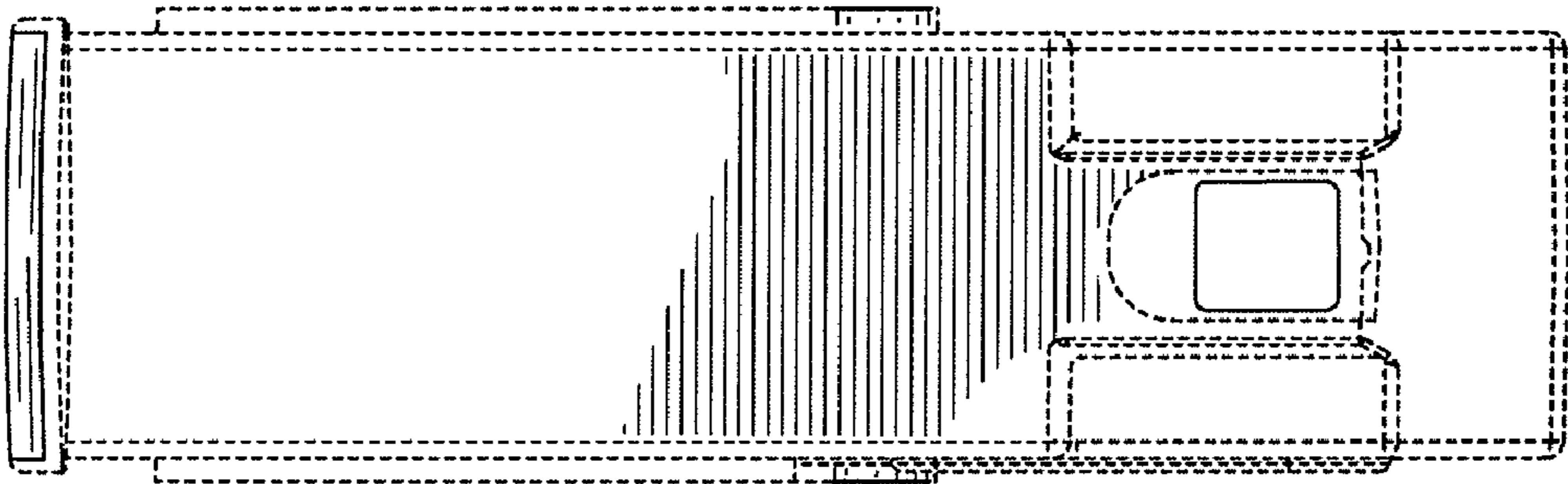
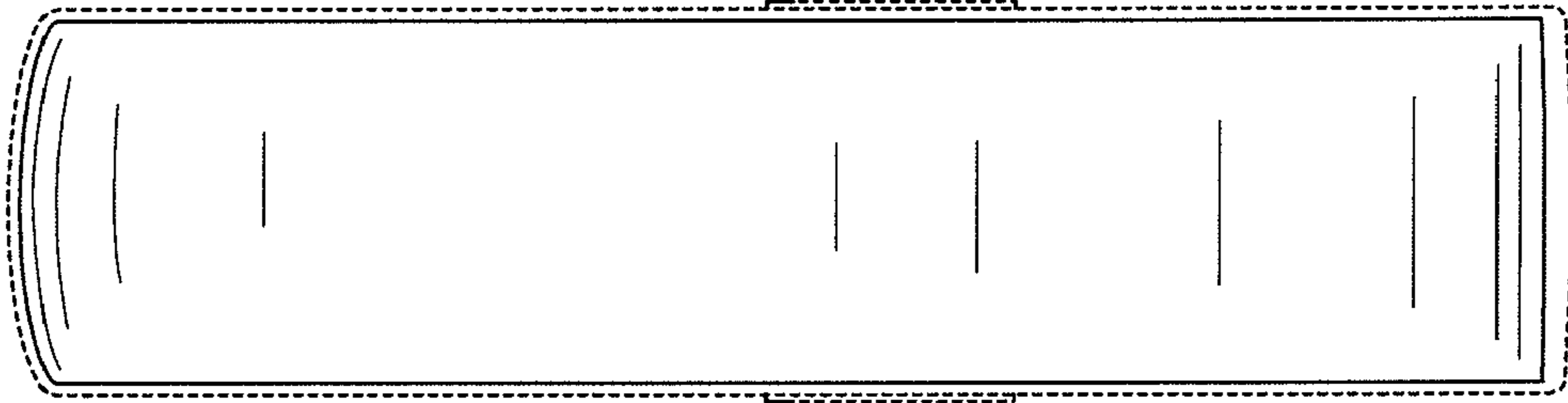


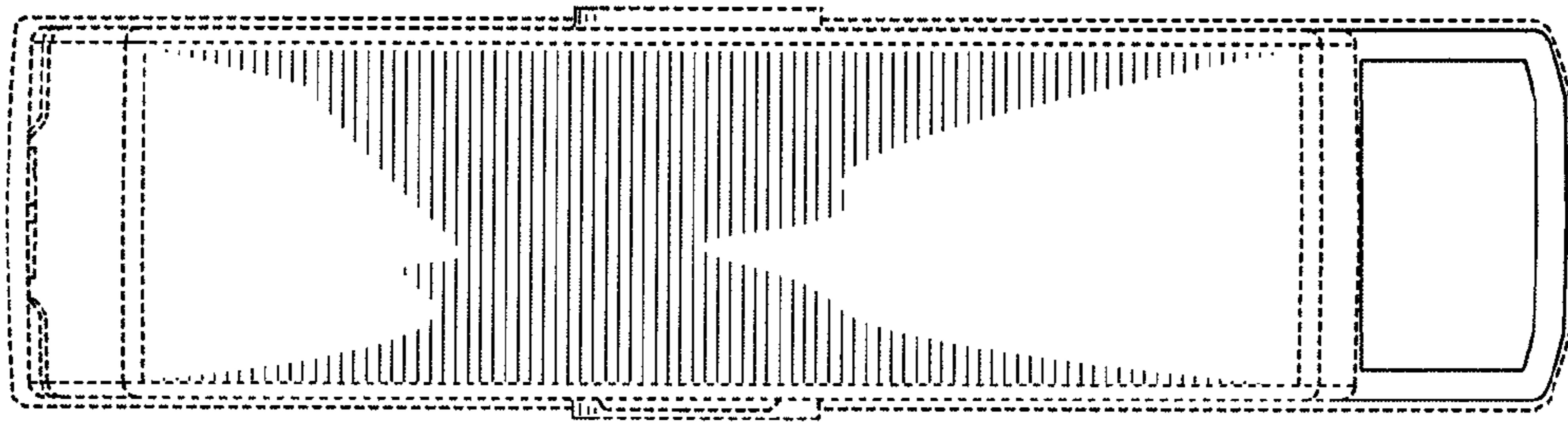
FIG. 18



**FIG. 19**



**FIG. 20**



**FIG. 21**