



US00D629039S

(12) **United States Design Patent**
Butzek et al.

(10) **Patent No.:** **US D629,039 S**
(45) **Date of Patent:** **** Dec. 14, 2010**

(54) **PRINTER**

(75) Inventors: **Thomas Butzek**, Menden (DE); **Hans Schlingmann**, Horn (DE); **Uwe Arlitt**, Leopoldshoehe (DE); **Genadi Neumann**, Detmold (DE); **Thorsten Bornefeld**, Schlangen (DE); **Andreas Toepper**, Horn-Bad Meinberg (DE); **Rene Manke**, Oerlinghausen (DE); **Michael Gockel**, Bad Driburg (DE)

(73) Assignee: **Weidmueller Interface GmbH & Co. KG**, Detmold (DE)

(**) Term: **14 Years**

(21) Appl. No.: **29/309,607**

(22) Filed: **Sep. 10, 2008**

(30) **Foreign Application Priority Data**

Mar. 10, 2008 (EM) 000894092

(51) **LOC (9) Cl.** **14-02**

(52) **U.S. Cl.** **D18/50**

(58) **Field of Classification Search** D18/36-37,
D18/50, 54, 54.1, 55, 19; D14/420-425,
D14/463-470; 400/613, 613.1-613.4, 690.1-690.4,
400/691-694

See application file for complete search history.

(56) **References Cited**

U.S. PATENT DOCUMENTS

D366,652 S * 1/1996 Ichinose D14/422

D383,735 S * 9/1997 Privitera et al. D14/420
D420,988 S * 2/2000 Yamano et al. D14/425
D450,052 S * 11/2001 Khovaylo et al. D14/425
D492,959 S * 7/2004 Nakanishi D18/50
D518,091 S * 3/2006 Ishigami D18/55
D522,566 S * 6/2006 Stender et al. D18/50

OTHER PUBLICATIONS

Weidmuller—Sestemisd Marking; all in one—marker; printer, software and service; www.printjetpro.com.*

* cited by examiner

Primary Examiner—Cathy Anne MacCormac

(74) *Attorney, Agent, or Firm*—Crowell & Moring LLP

(57) **CLAIM**

The ornamental design for a printer, as shown and described.

DESCRIPTION

FIG. 1 is a left, front perspective view of a printer according to our novel design;

FIG. 2 is a right, front perspective view thereof;

FIG. 3 is a left side view thereof;

FIG. 4 is a right side view thereof;

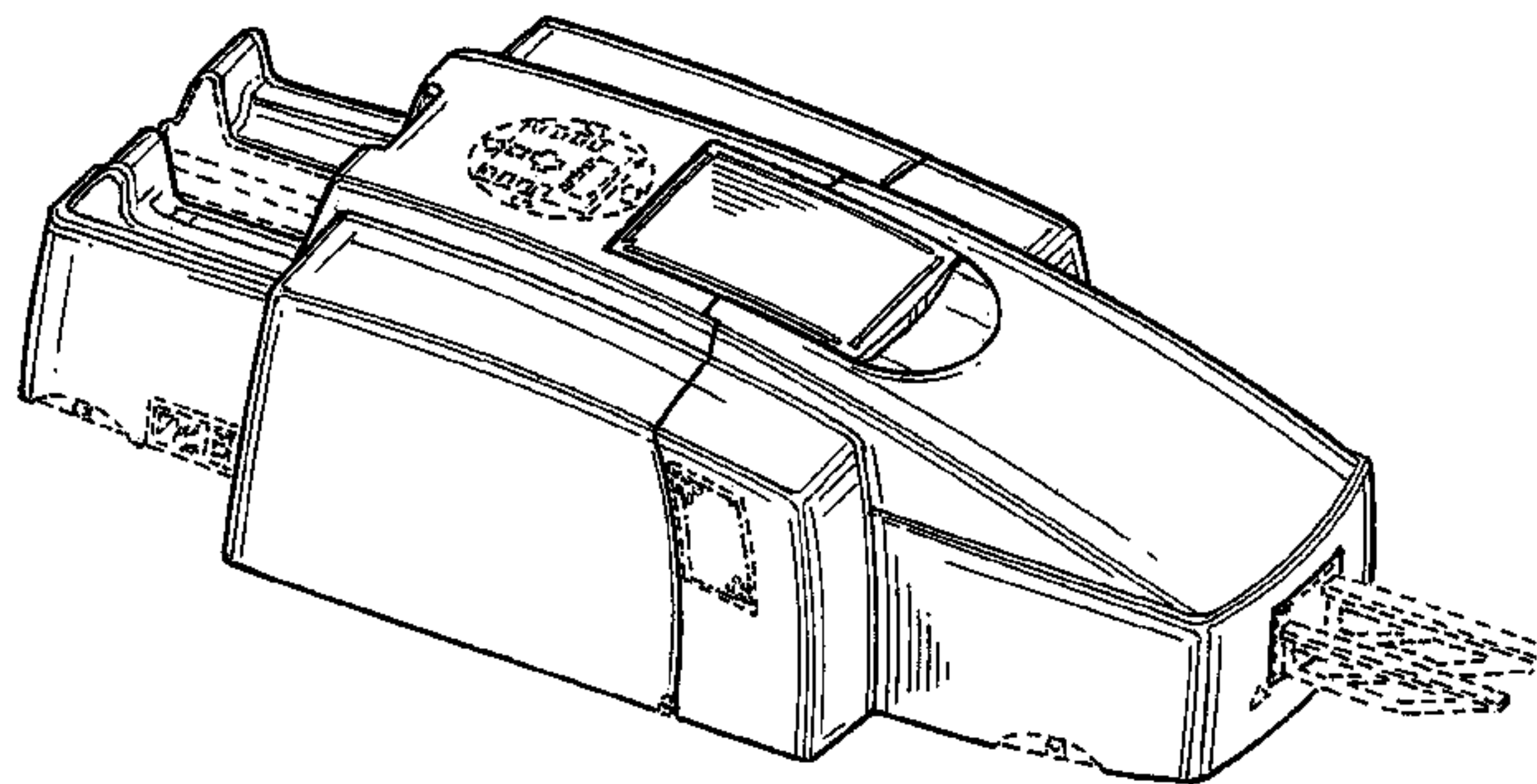
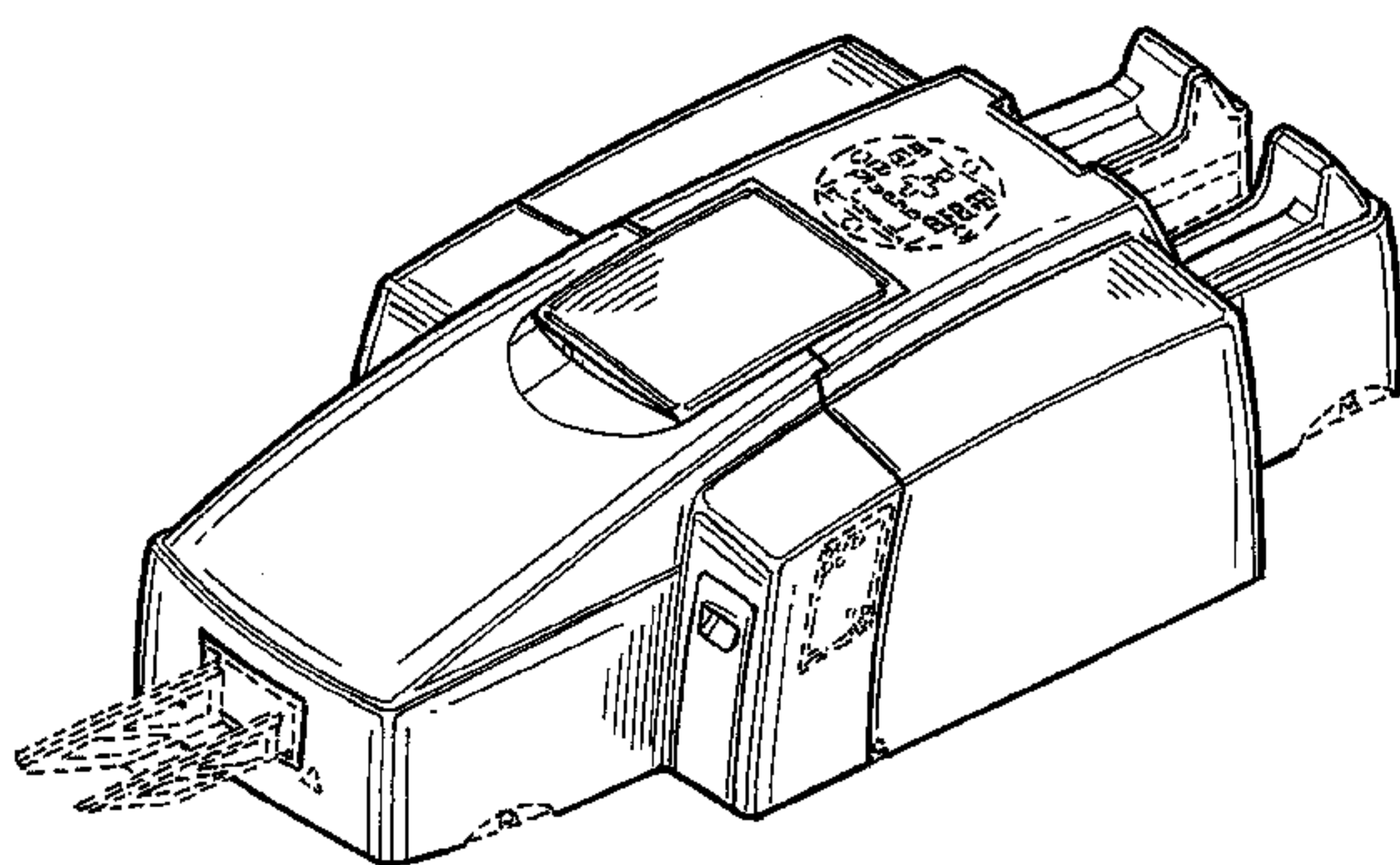
FIG. 5 is a front view thereof;

FIG. 6 is a rear view thereof; and,

FIG. 7 is a top view thereof.

The broken lines are for illustrative purposes only and form no part of the claimed design.

1 Claim, 5 Drawing Sheets



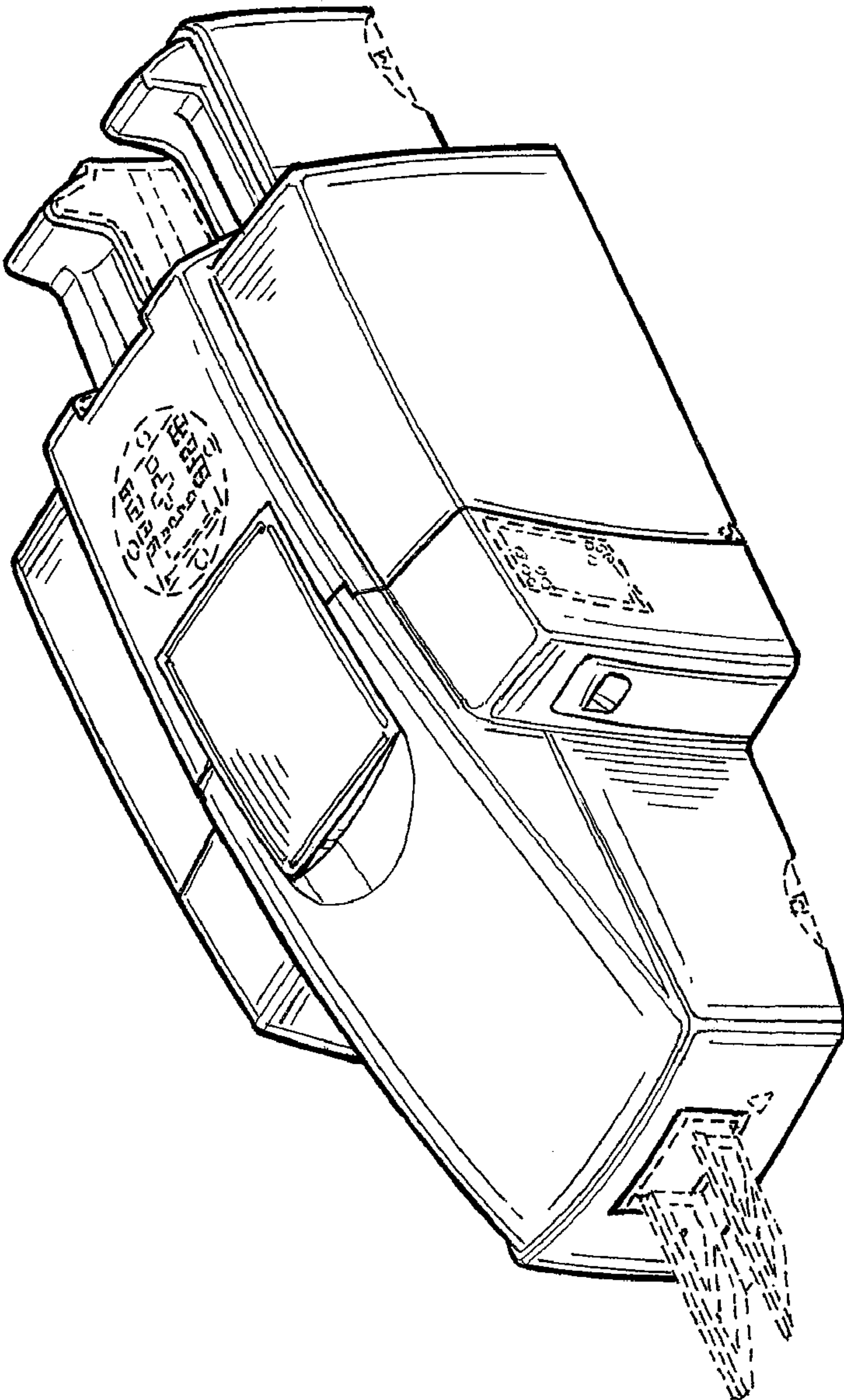


Fig. 1

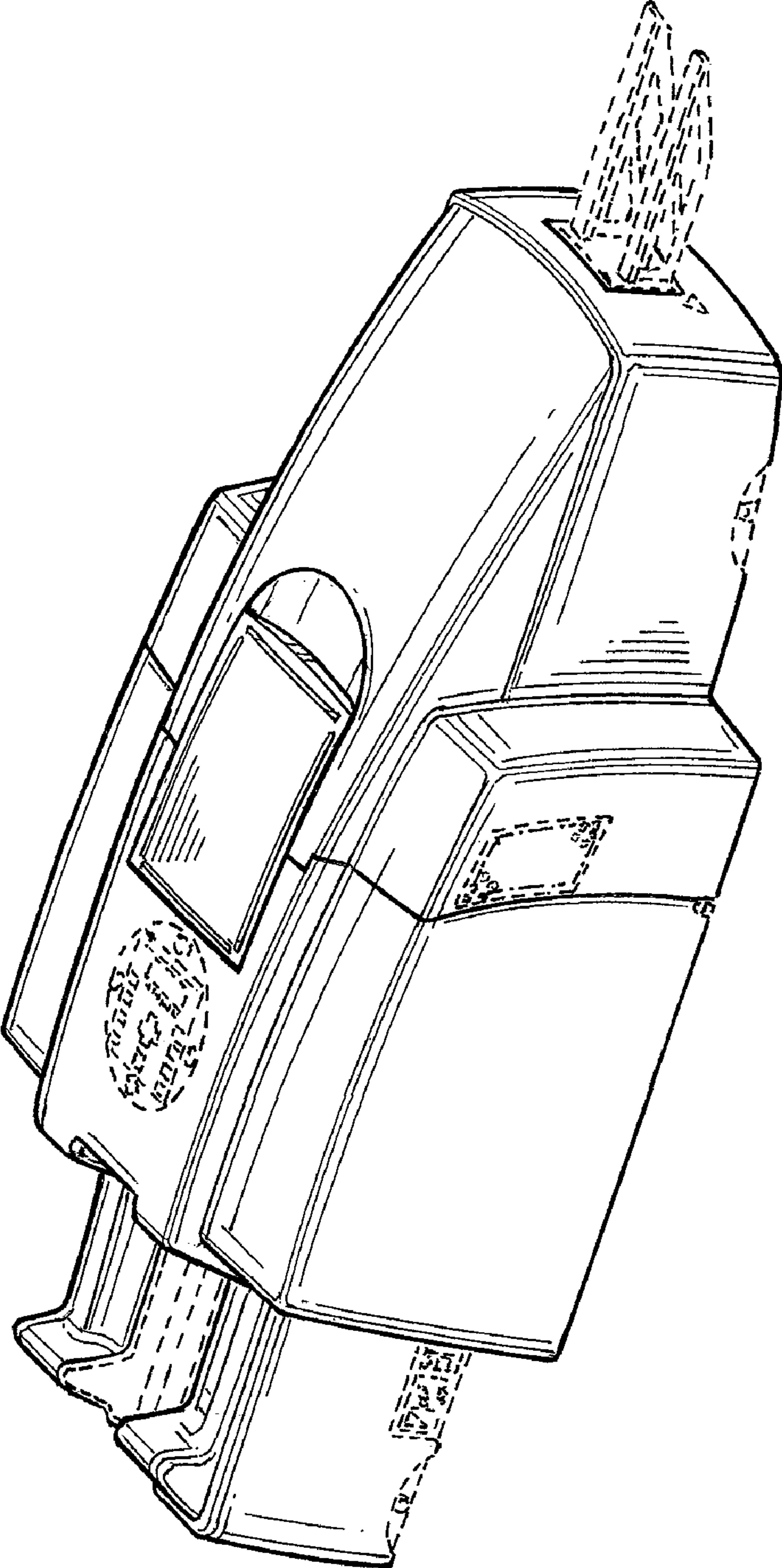


Fig. 2

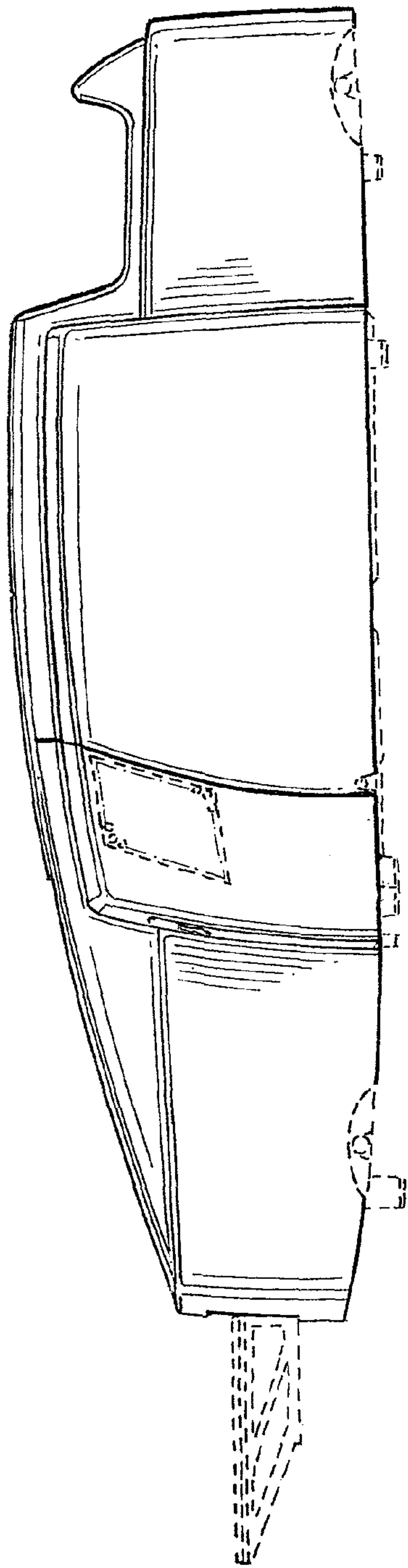


Fig. 3

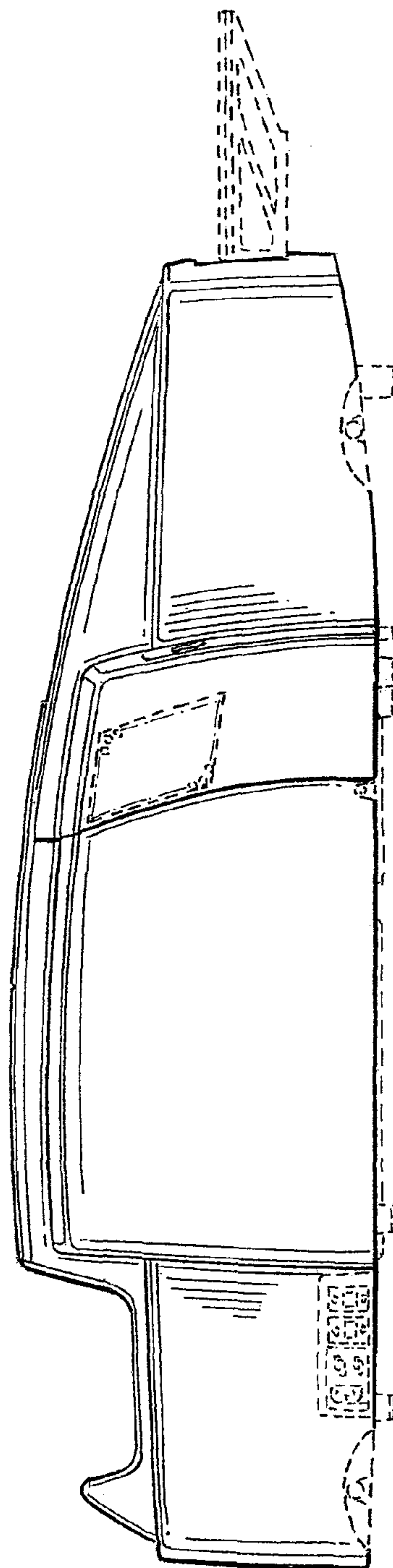


Fig. 4

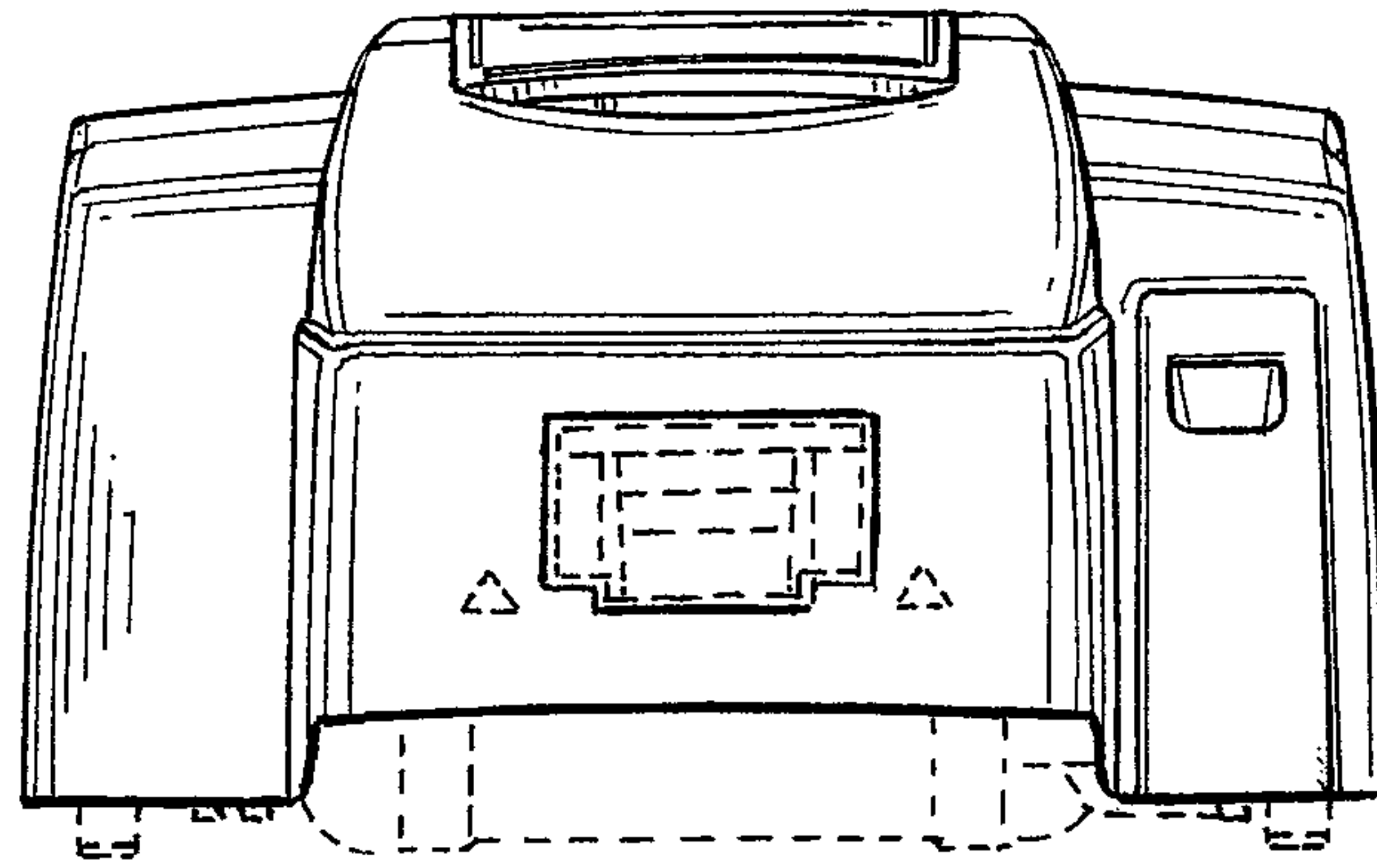


Fig. 5

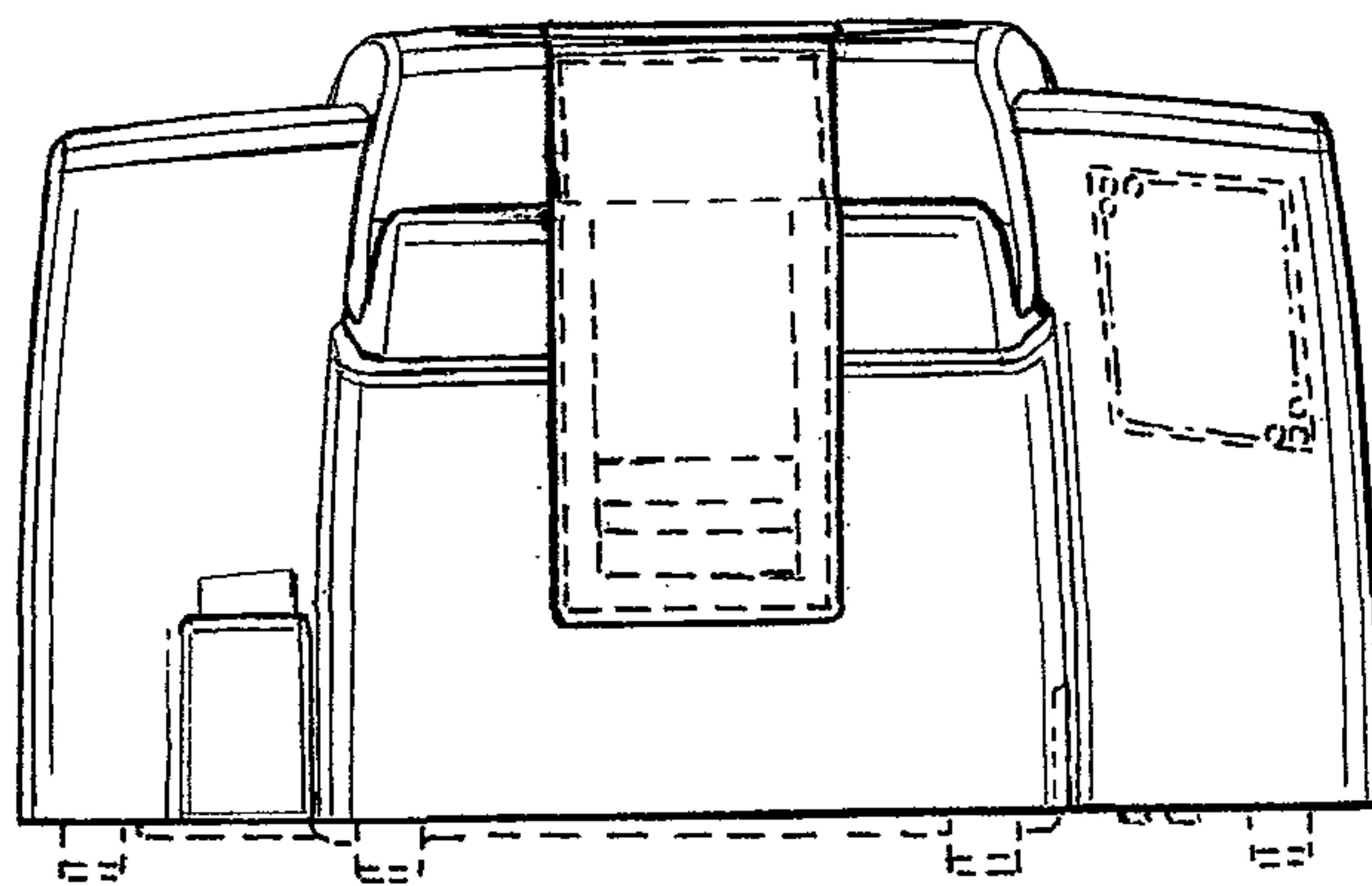


Fig. 6

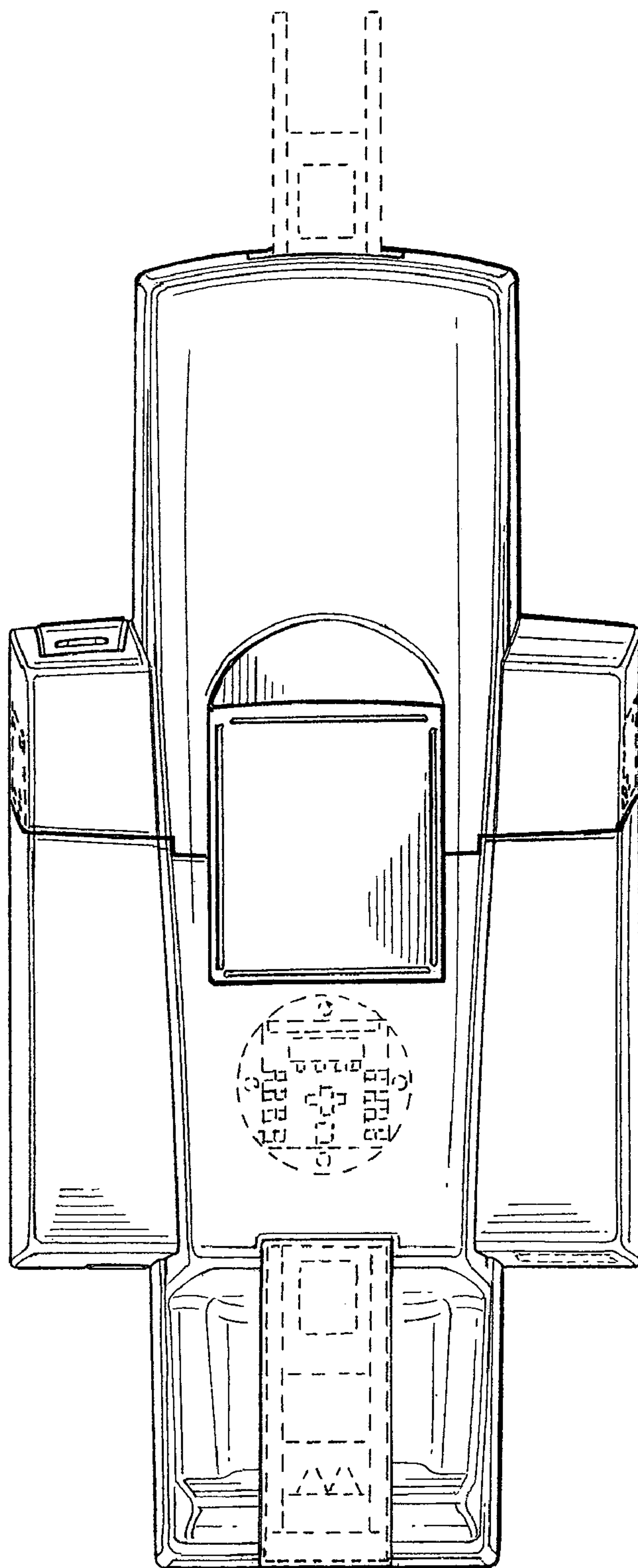


Fig. 7