



US00D629033S

(12) **United States Design Patent**
Morisawa et al.

(10) **Patent No.:** **US D629,033 S**

(45) **Date of Patent:** **** Dec. 14, 2010**

(54) **CAMERA**

(75) Inventors: **Yujin Morisawa**, Tokyo (JP); **Junko Katsuraku**, Tokyo (JP)

(73) Assignee: **Sony Corporation**, Tokyo (JP)

(**) Term: **14 Years**

(21) Appl. No.: **29/347,480**

(22) Filed: **Feb. 4, 2010**

(30) **Foreign Application Priority Data**

Aug. 5, 2009 (JP) D2009-017974
Aug. 5, 2009 (JP) D2009-017976

(51) **LOC (9) Cl.** **16-05**

(52) **U.S. Cl.** **D16/219; D16/212**

(58) **Field of Classification Search** D16/200–204,
D16/208, 218, 219; 348/373; 358/909.1;
396/349, 448, 535–541

See application file for complete search history.

(56) **References Cited**

U.S. PATENT DOCUMENTS

D417,683 S 12/1999 Miyashita
6,398,426 B1 * 6/2002 Takanashi 396/448
D488,498 S 4/2004 Miyashita
D496,678 S 9/2004 Kawase
D501,496 S 2/2005 Sadatsuki
D536,720 S 2/2007 Miyashita
D536,721 S 2/2007 Miyashita
D542,322 S 5/2007 Miyashita
D542,323 S 5/2007 Takagi
D542,324 S 5/2007 Takagi
D543,228 S 5/2007 Miyashita
D545,336 S 6/2007 Kawase
D559,294 S 1/2008 Hibi
D561,230 S 2/2008 Song
D570,391 S 6/2008 Hibi

D574,029 S 7/2008 Yamagishi
7,438,486 B2 * 10/2008 Ho 396/448
D598,037 S * 8/2009 Lee D16/212
D607,480 S * 1/2010 Nakajima D16/212

* cited by examiner

Primary Examiner—Adir Aronovich

(74) *Attorney, Agent, or Firm*—Rader, Fishman & Grauer PLLC

(57) **CLAIM**

The ornamental design for a camera, as shown and described.

DESCRIPTION

FIG. 1 is a front perspective view of a camera showing our new design;

FIG. 2 is a front elevational view thereof;

FIG. 3 is a left side elevational view thereof;

FIG. 4 is a right side elevational view thereof;

FIG. 5 is a top plan view thereof; and

FIG. 6 is a bottom plan view thereof.

FIG. 7 is a front perspective view thereof, the lens cover being in a closed position;

FIG. 8 is a front elevational view thereof, the lens cover being in a closed position.

FIG. 9 is a rear elevational view thereof; and,

FIG. 10 is a cross sectional view thereof, taken along the line 10—10 of FIG. 2.

The dash-dot broken lines which define the bounds of the claimed design form no part thereof.

The portions of the camera in other broken lines are shown for illustrative purposes only and form no part of the claimed design.

1 Claim, 8 Drawing Sheets

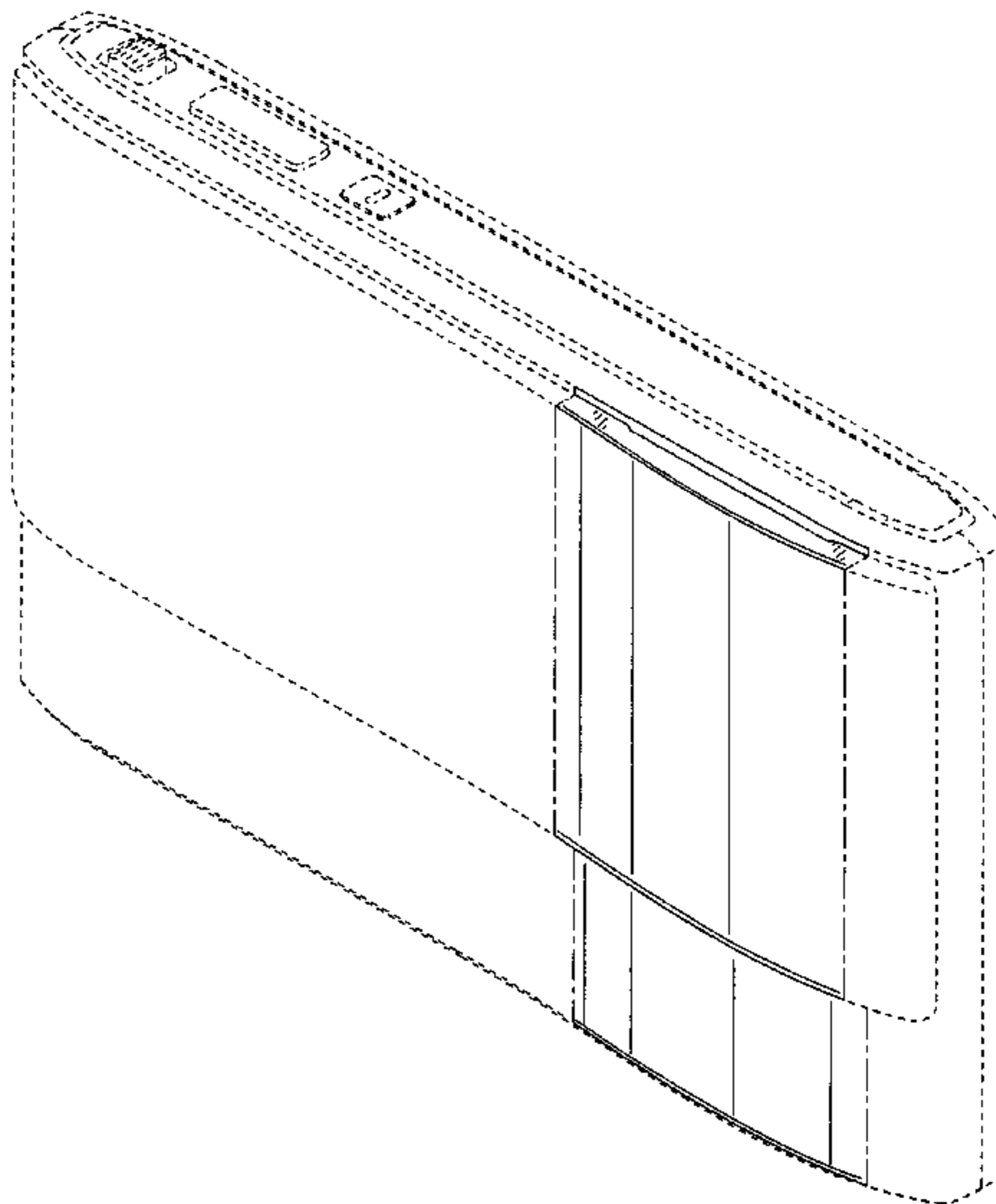
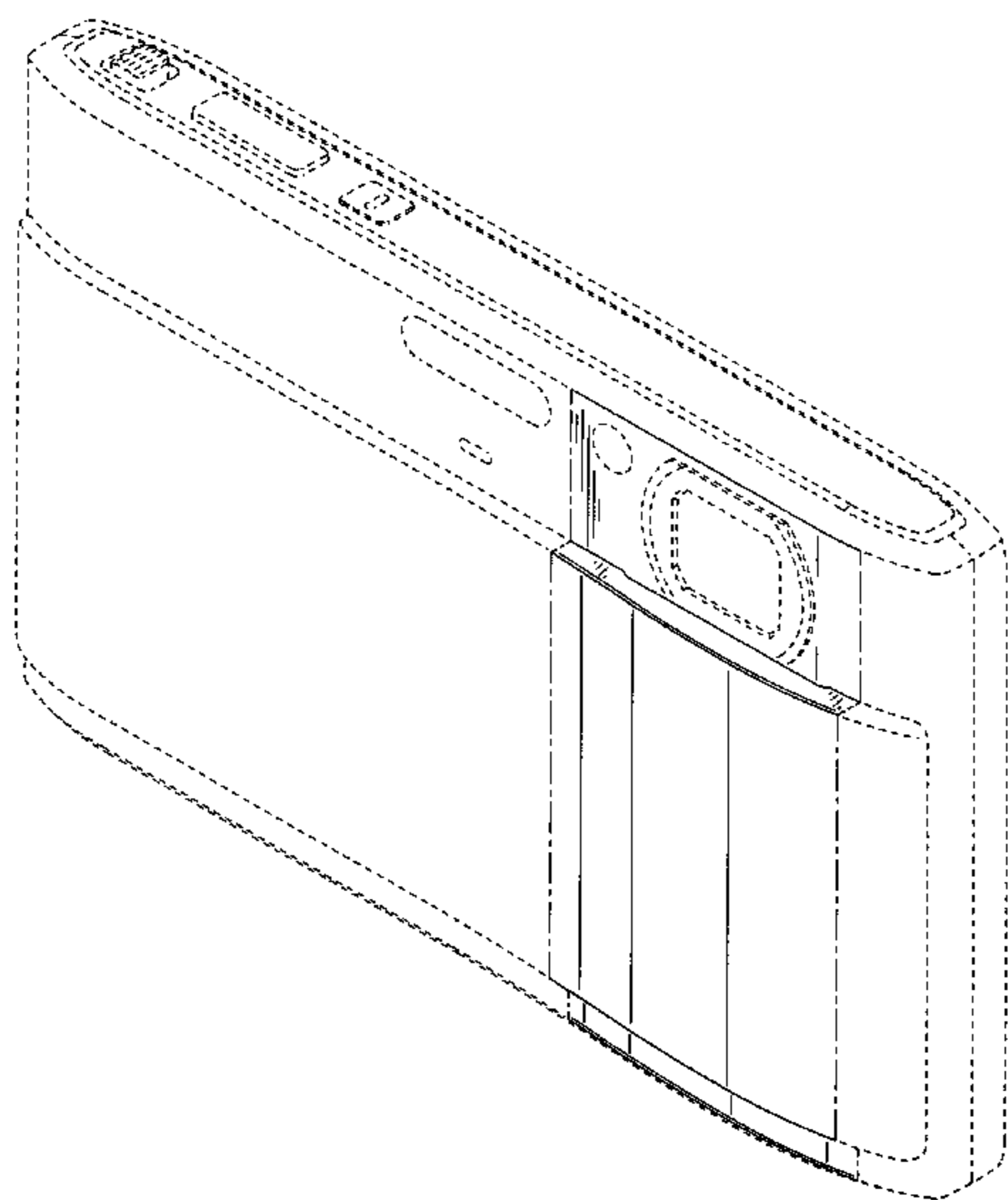


FIG. 1

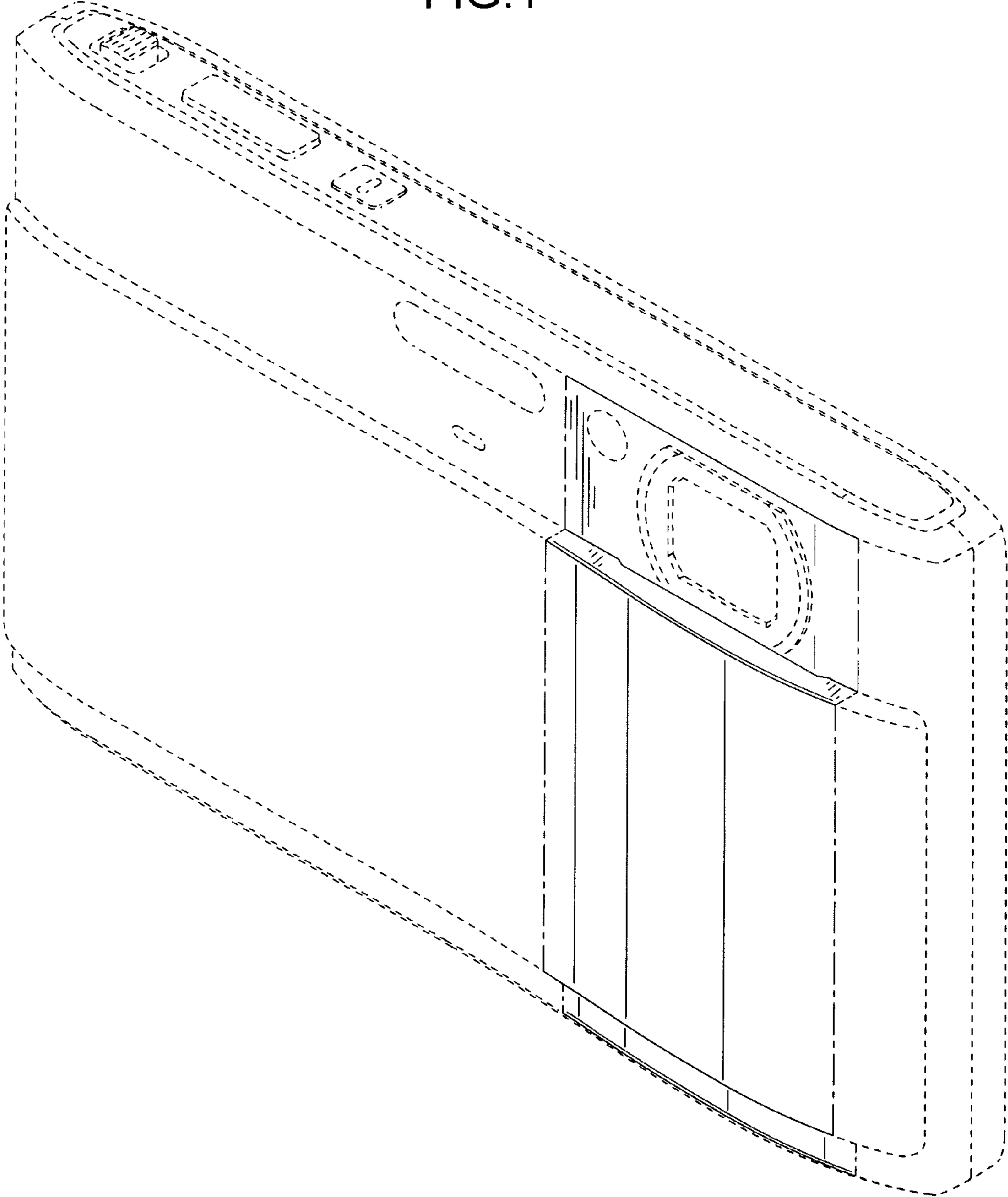


FIG.2

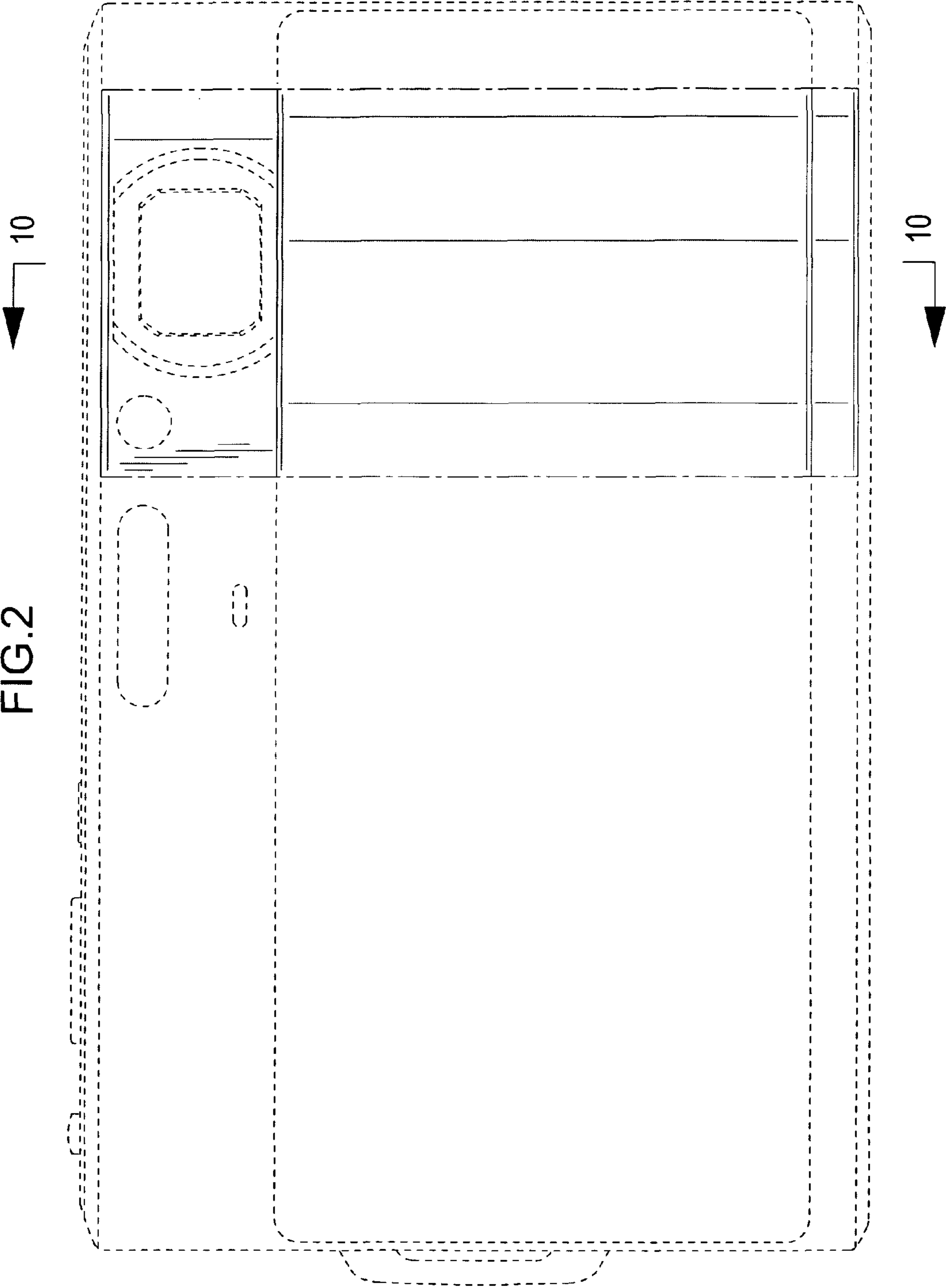


FIG.3

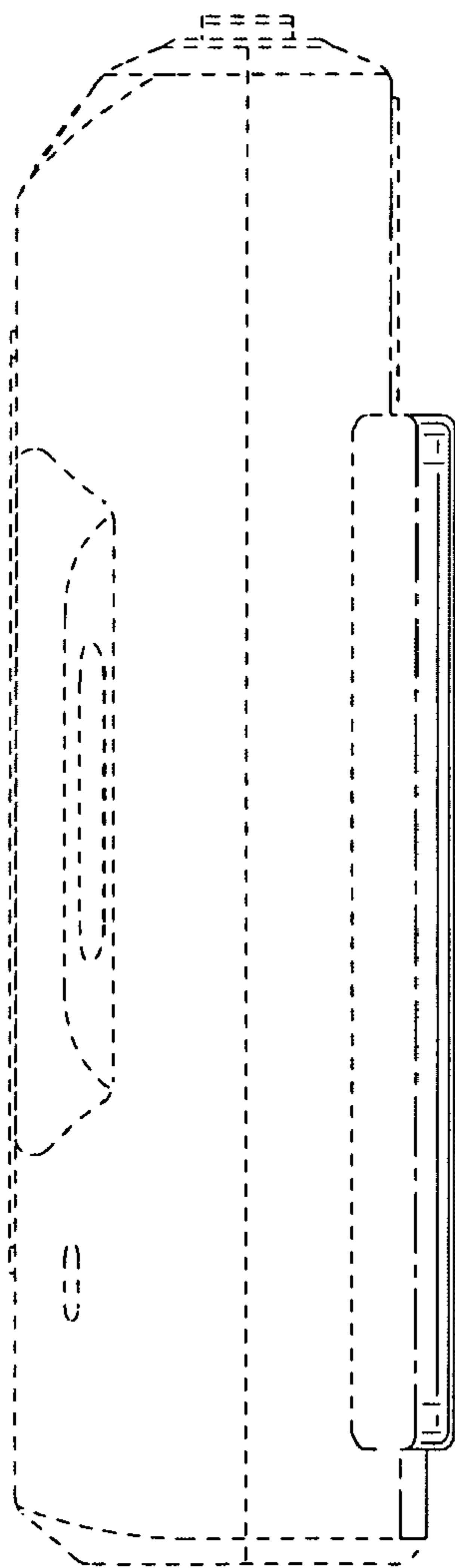


FIG.4

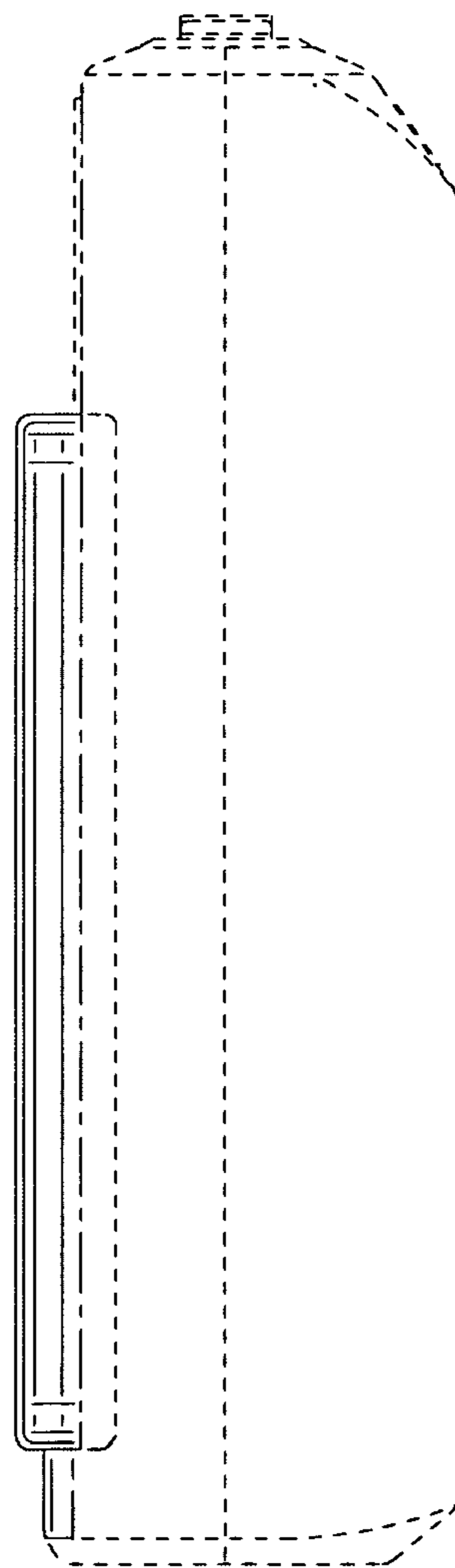


FIG.5

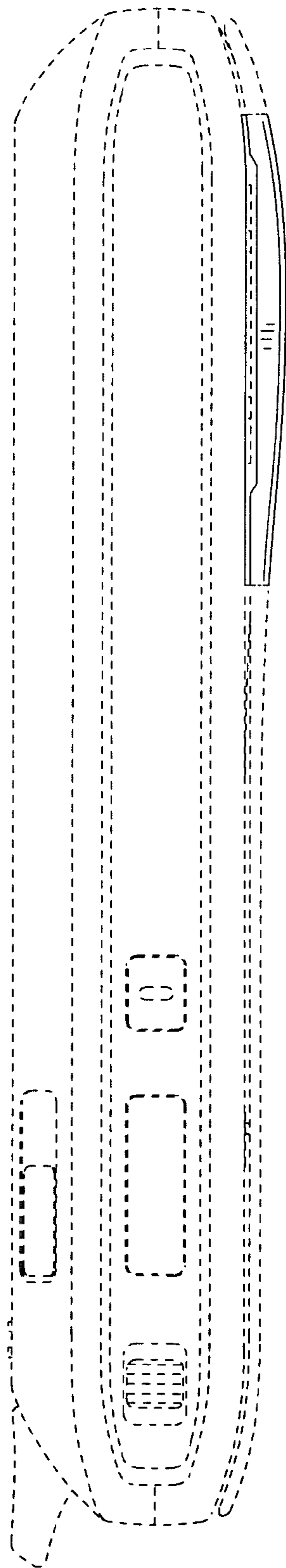
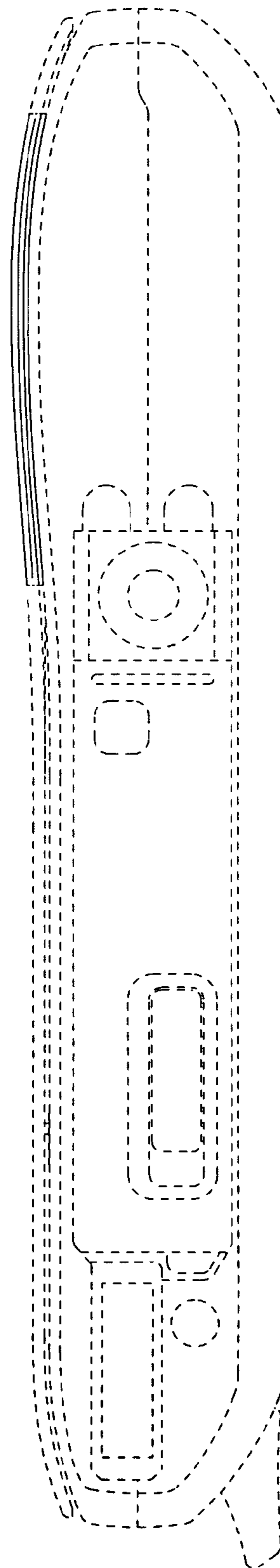


FIG.6



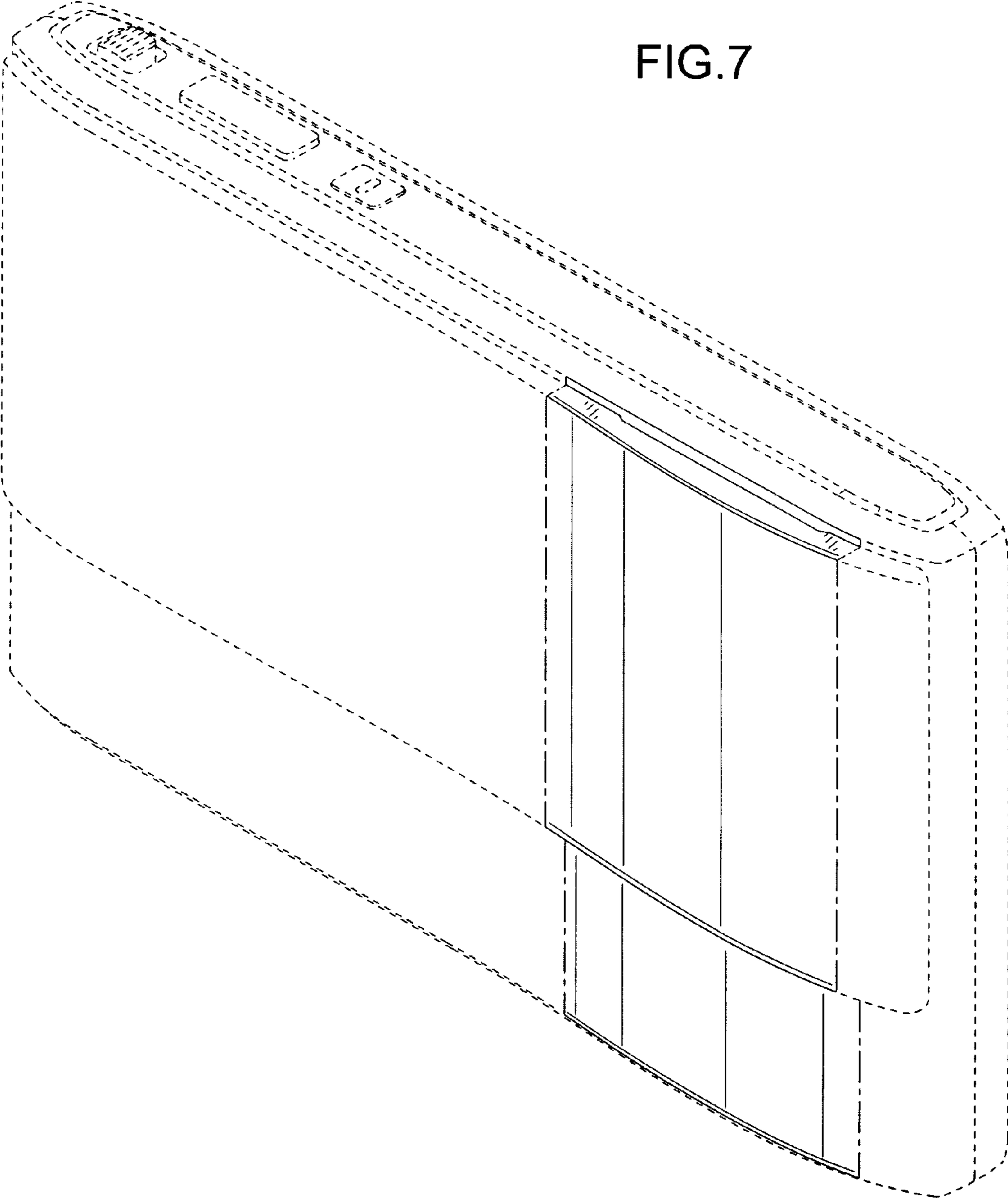


FIG. 7

FIG. 8

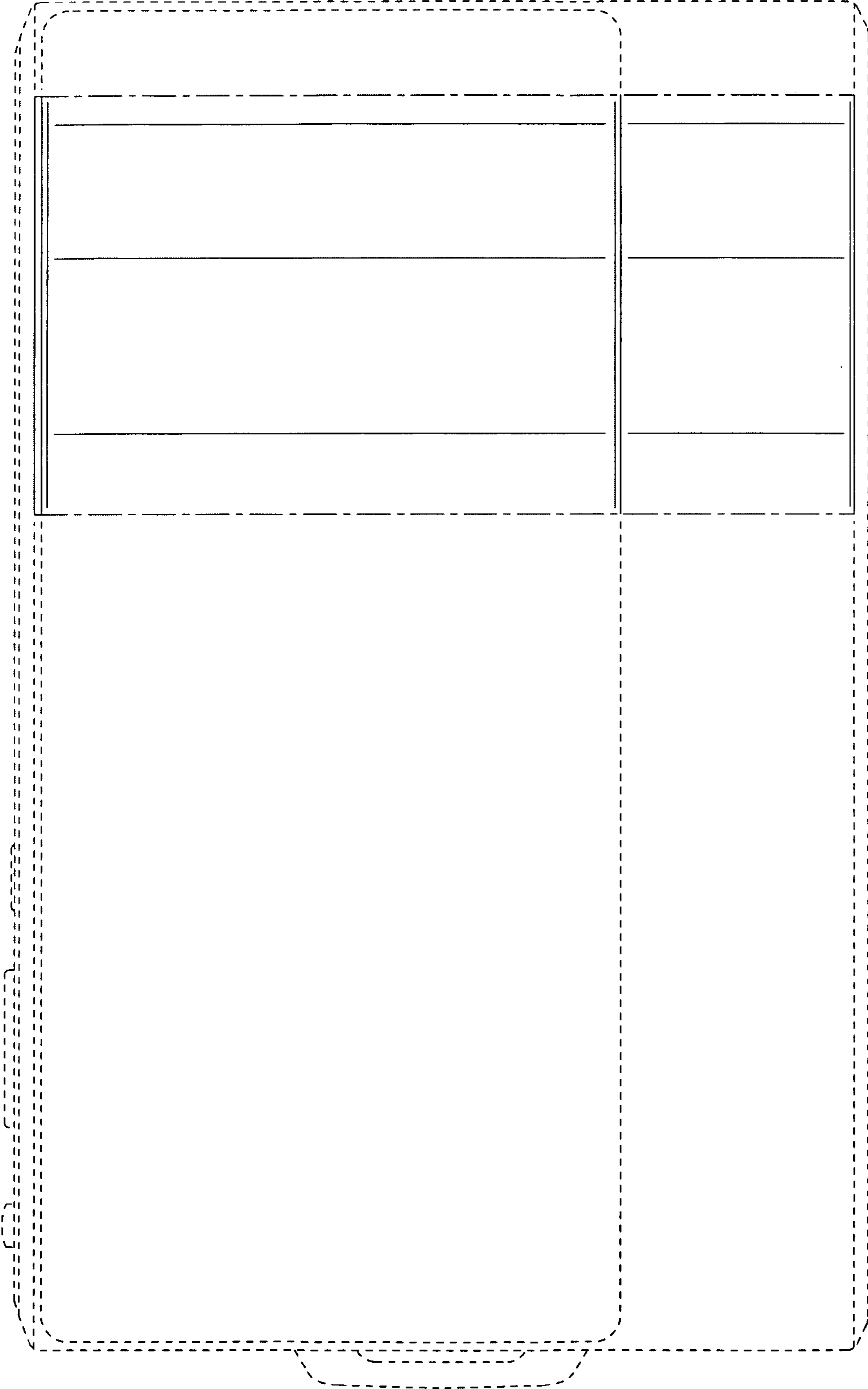


FIG.9

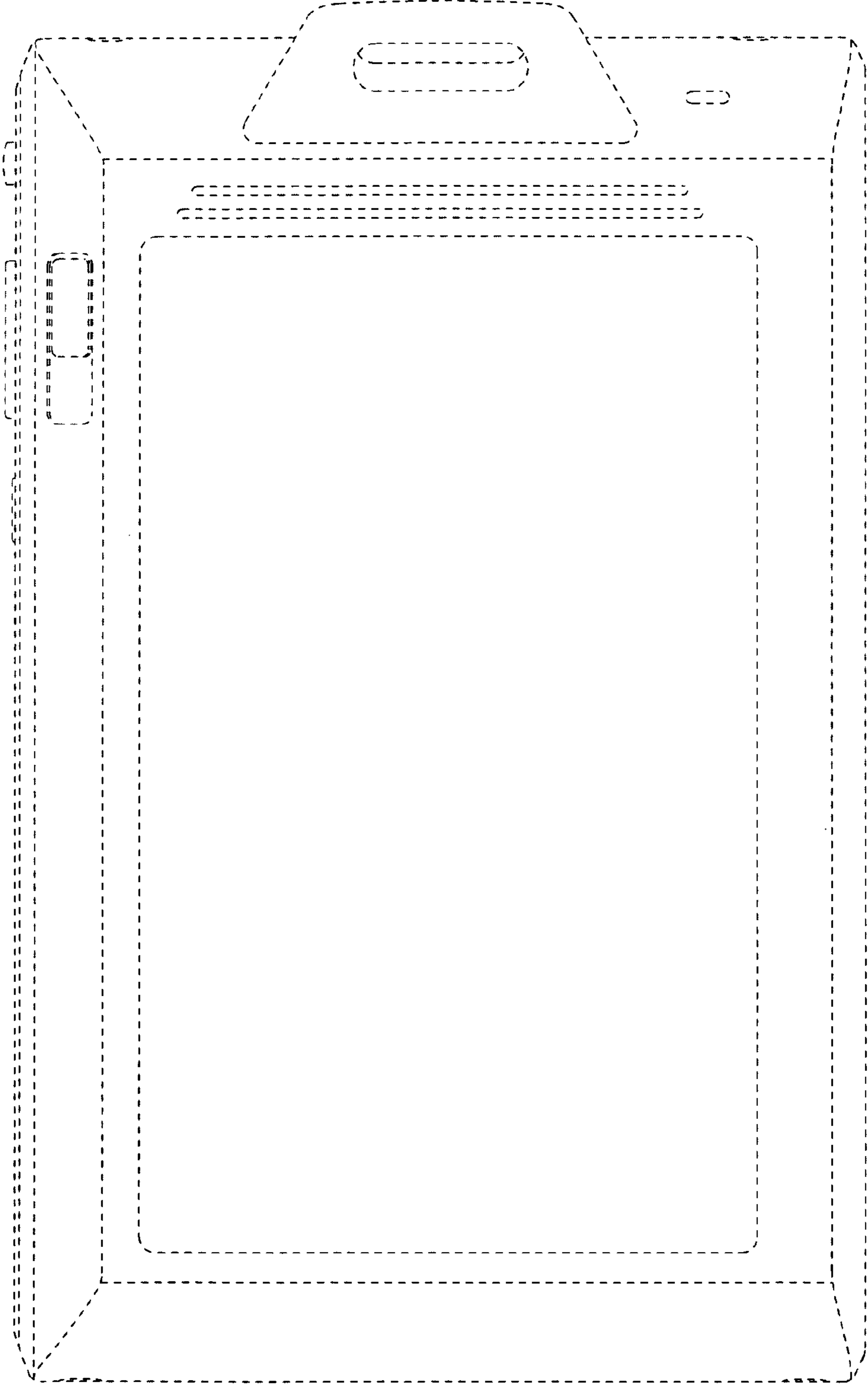


FIG.10

