



US00D629032S

(12) **United States Design Patent**  
**Miyashita**

(10) **Patent No.:** **US D629,032 S**

(45) **Date of Patent:** **\*\* Dec. 14, 2010**

(54) **LIGHT FOR CAMERA**

(75) Inventor: **Shin Miyashita**, Tokyo (JP)

(73) Assignee: **Sony Corporation**, Tokyo (JP)

(\*\*) Term: **14 Years**

(21) Appl. No.: **29/347,257**

(22) Filed: **Nov. 13, 2009**

(30) **Foreign Application Priority Data**

May 15, 2009 (CN) ..... 2009 3 0006805

(51) **LOC (9) Cl.** ..... **16-05**

(52) **U.S. Cl.** ..... **D16/219; D16/240**

(58) **Field of Classification Search** ..... D16/200–204,  
D16/208, 218, 219, 237, 239, 240; 362/16–18;  
396/175, 198, 199, 535

See application file for complete search history.

(56) **References Cited**

**U.S. PATENT DOCUMENTS**

4,017,727	A *	4/1977	Yamamoto	.....	362/16
4,233,648	A *	11/1980	Geissler	.....	362/18
4,276,579	A *	6/1981	Yako	.....	362/18
D262,634	S *	1/1982	Schlagheck et al.	.....	D16/240
D264,221	S *	5/1982	Schlagheck et al.	.....	D16/240
5,602,605	A *	2/1997	Lierle	.....	396/175
D440,587	S	4/2001	Morooka		
D502,488	S	3/2005	Miyashita		

D512,088	S *	11/2005	Yatabe	.....	D16/219
D566,148	S	4/2008	Akita		
7,486,885	B2 *	2/2009	Tenmyo	.....	396/198
D616,006	S *	5/2010	Green et al.	.....	D16/202

\* cited by examiner

*Primary Examiner*—Adir Aronovich

(74) *Attorney, Agent, or Firm*—Rader, Fishman & Grauer PLLC

(57) **CLAIM**

The ornamental design for a light for a camera, as shown and described.

**DESCRIPTION**

FIG. 1 is a front, top, right perspective view of a light for a camera showing my new design;

FIG. 2 is a rear, top, right perspective view thereof;

FIG. 3 is a front elevational view thereof;

FIG. 4 is a rear elevational view thereof;

FIG. 5 is a left side elevational view thereof;

FIG. 6 is a right side elevational view thereof;

FIG. 7 is a top plan view thereof; and,

FIG. 8 is a bottom plan view thereof.

Portions of the figures that are shown as broken lines are for illustrative purpose only and form no part of the claimed design.

**1 Claim, 6 Drawing Sheets**

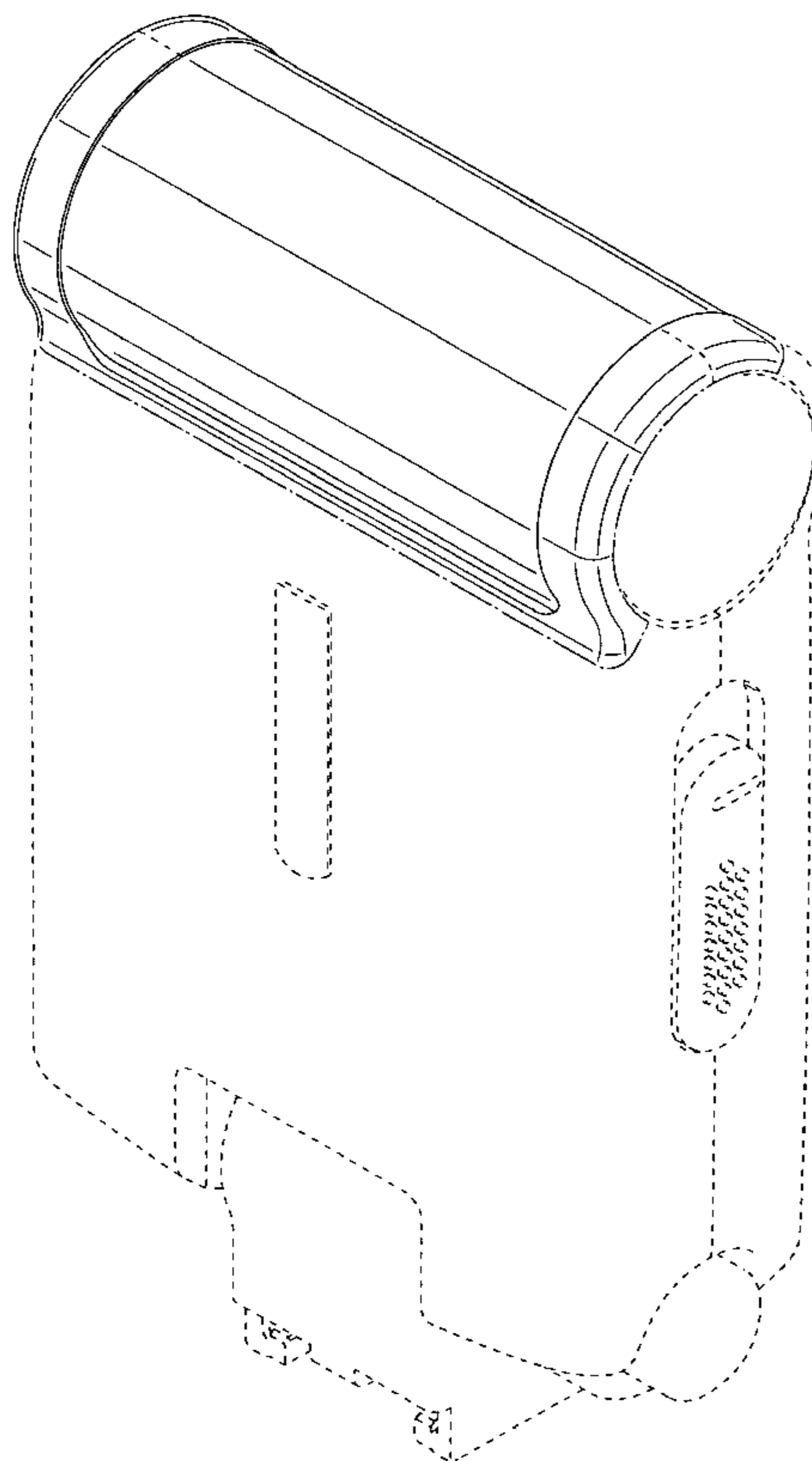
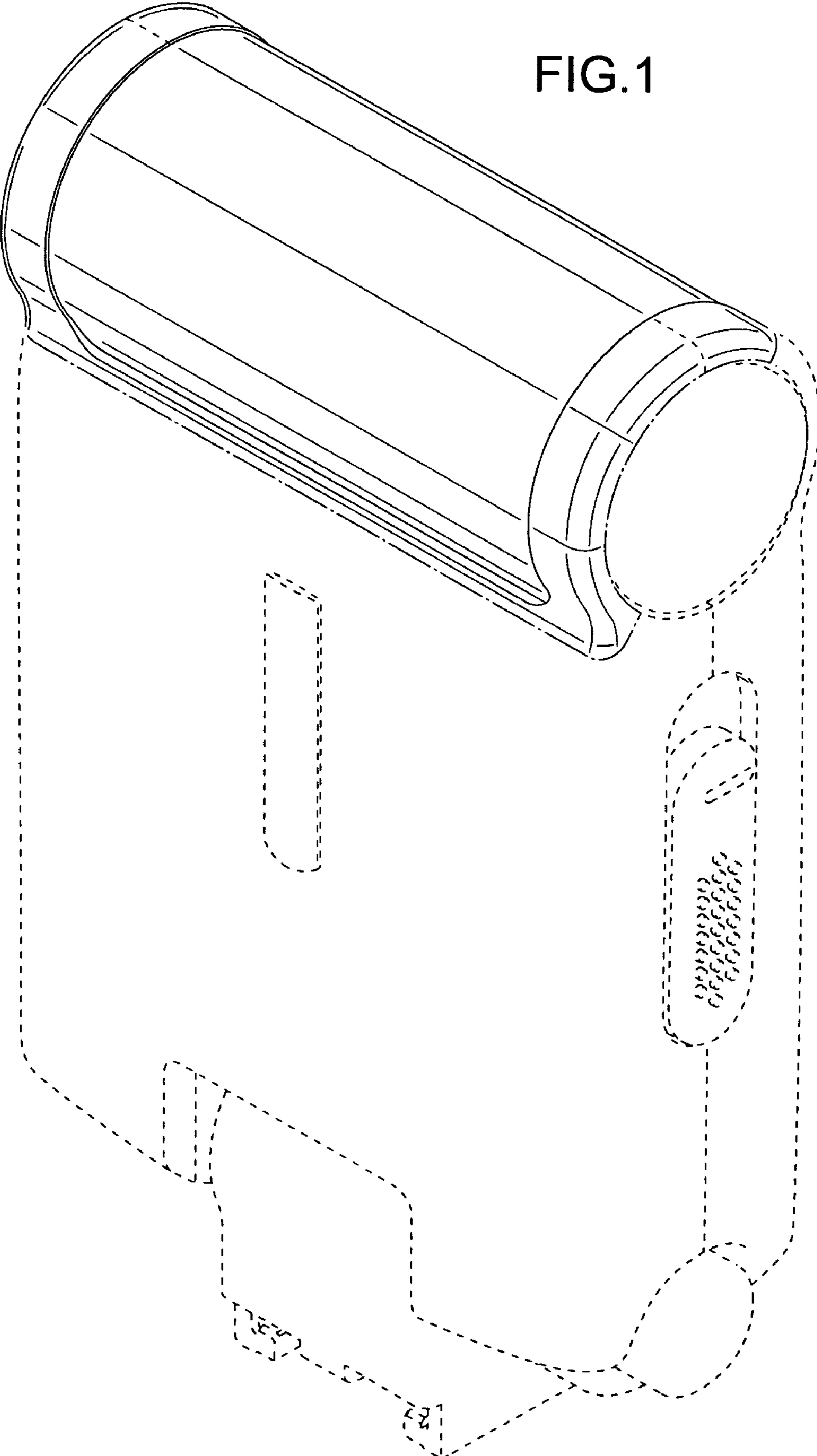


FIG. 1



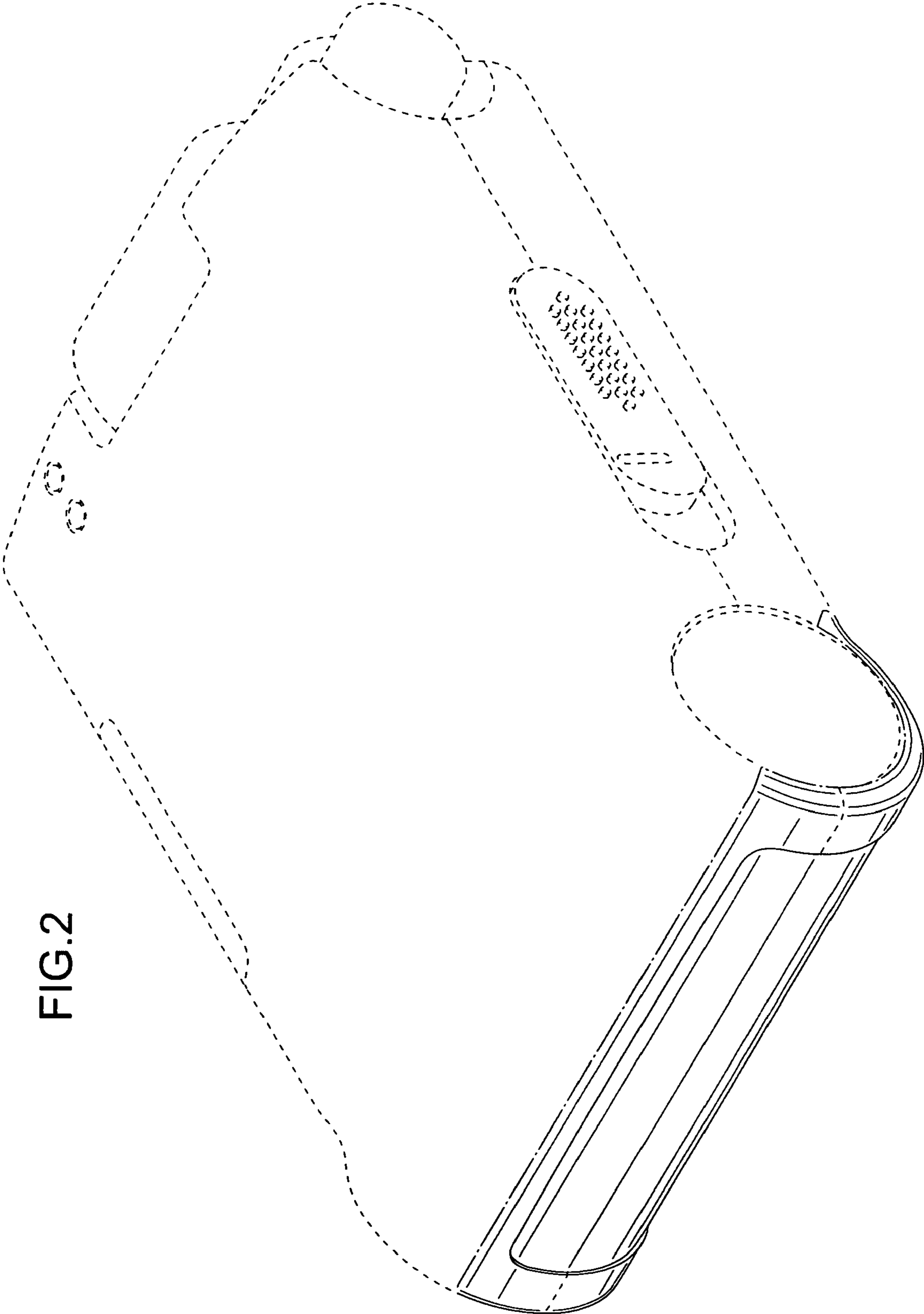


FIG. 2

FIG.3

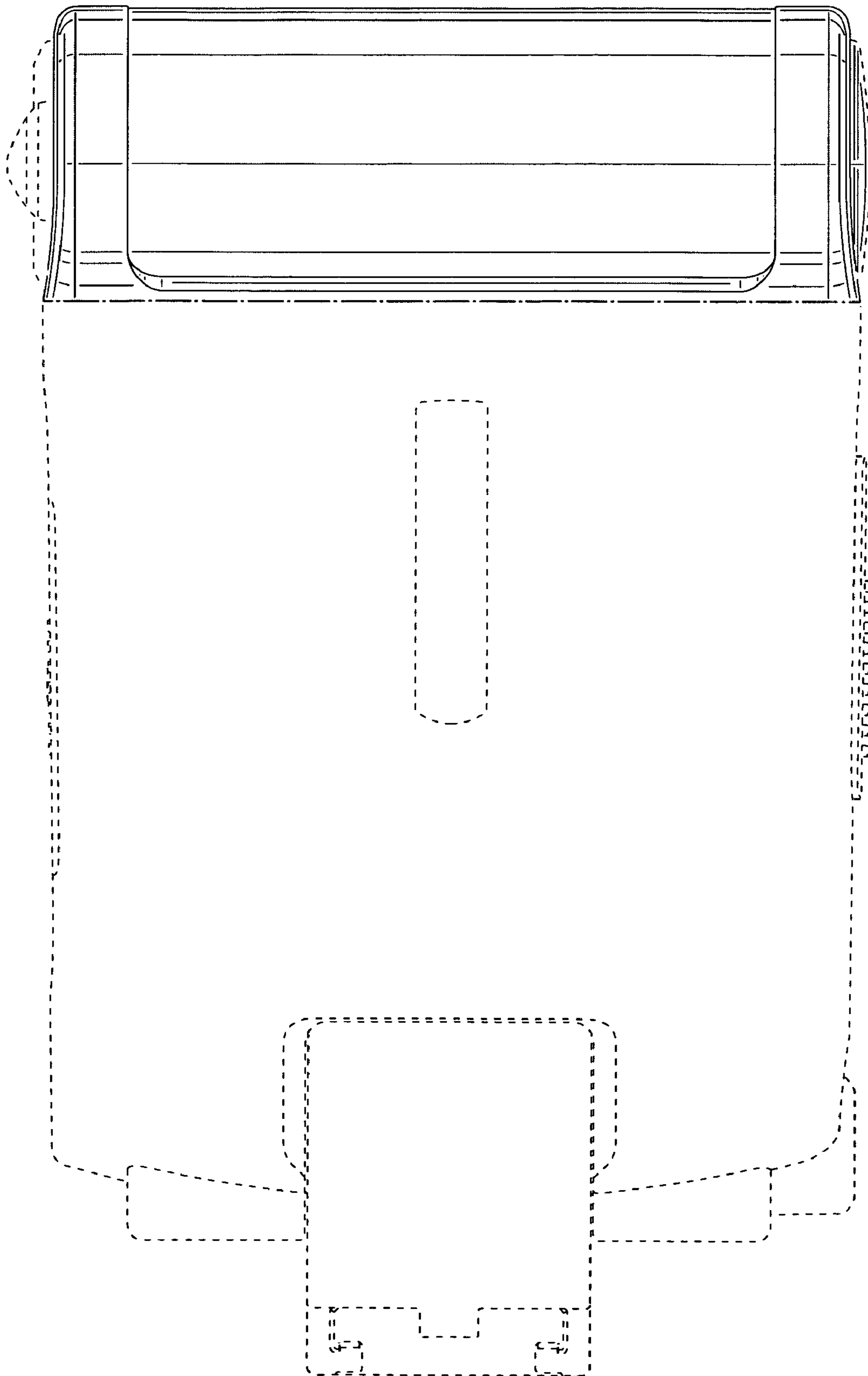


FIG.4

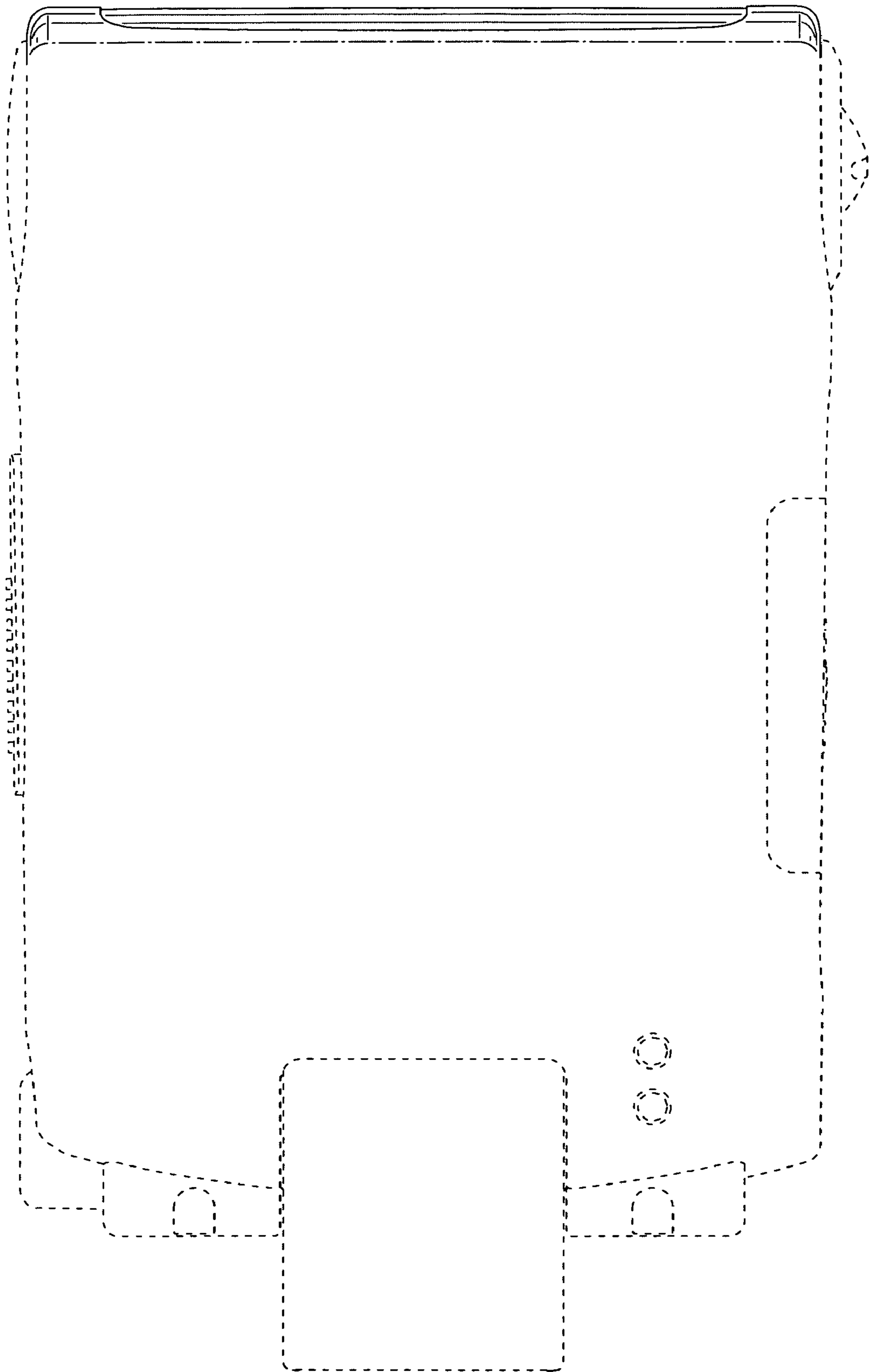


FIG.5

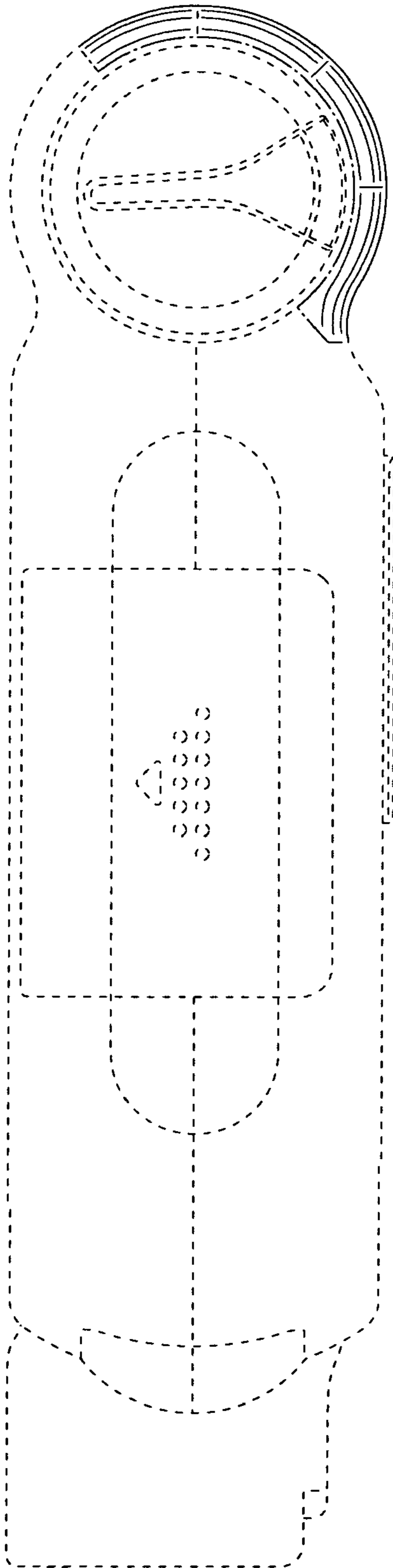


FIG.6

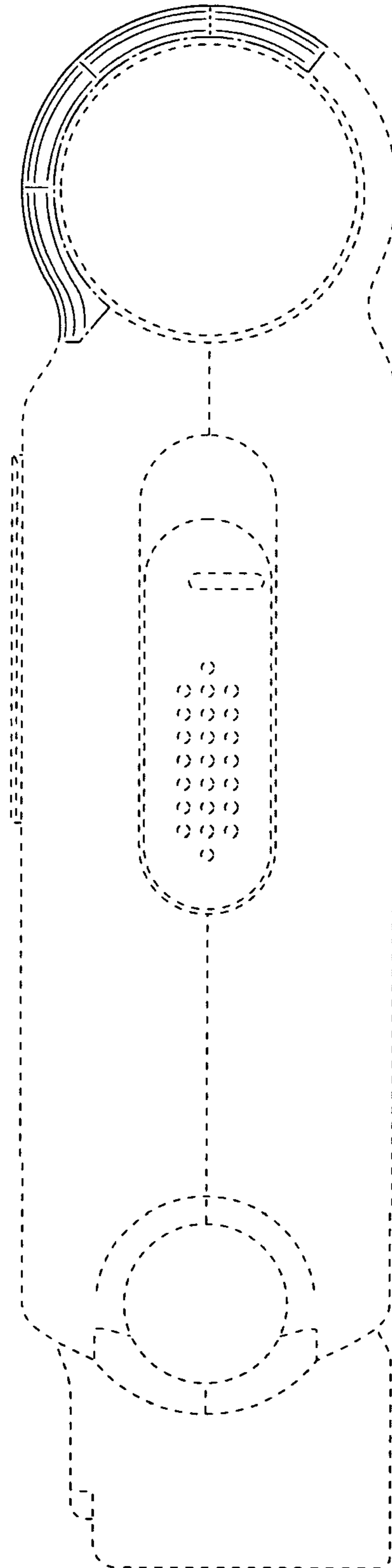


FIG.7

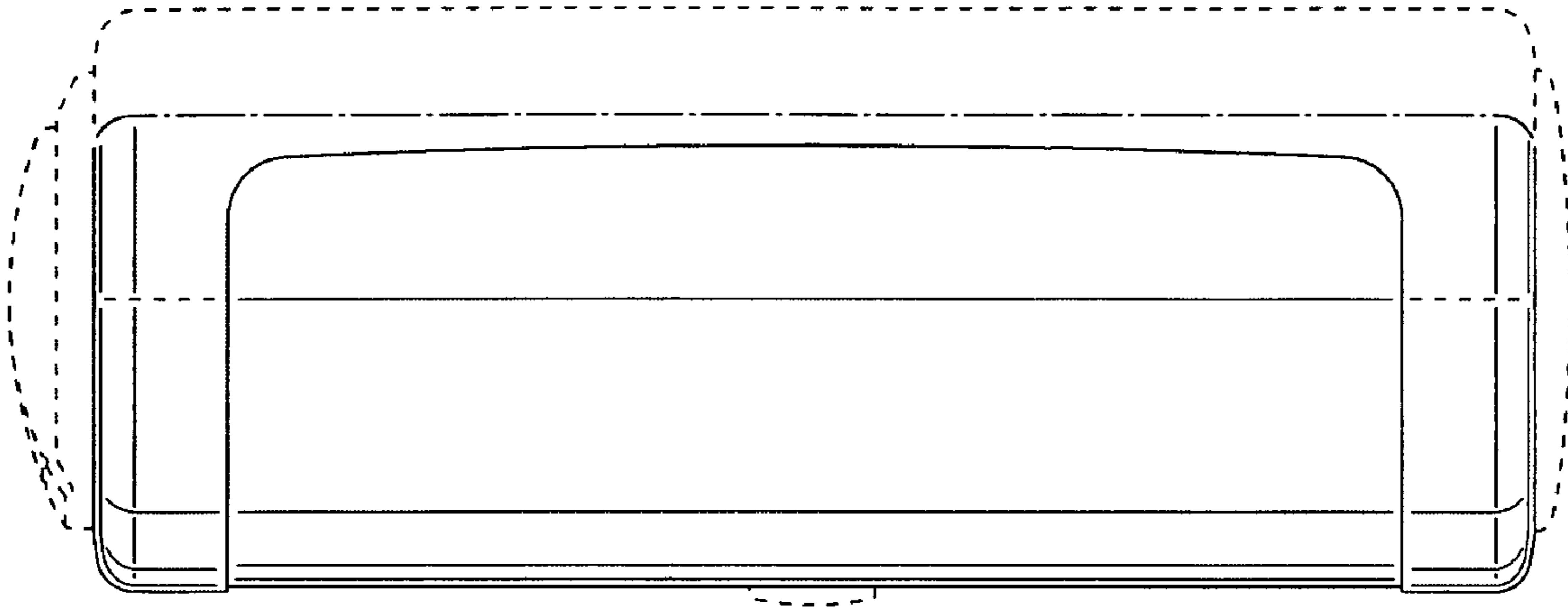


FIG.8

