



US00D629028S

(12) **United States Design Patent**  
**Johnson**

(10) **Patent No.:** **US D629,028 S**

(45) **Date of Patent:** **\*\* Dec. 14, 2010**

(54) **WELDING CART**

(75) Inventor: **Travis Johnson**, Eagan, MN (US)

(73) Assignee: **Northern Tool & Equipment Company, Inc.**, Burnsville, MN (US)

(\*\*) Term: **14 Years**

(21) Appl. No.: **29/360,173**

(22) Filed: **Apr. 21, 2010**

(51) **LOC (9) Cl.** ..... **15-09**

(52) **U.S. Cl.** ..... **D15/144**

(58) **Field of Classification Search** ..... D15/144,  
D15/144.1, 144.2; D34/12-27; 219/136;  
248/95, 99, 129; 280/47.131, 47.19, 47.26,  
280/47.27, 47.33, 47.34, 47.35, 79.5, 79.6,  
280/79.7, 79.11, 79.2; 414/444, 448, 466,  
414/469, 546

See application file for complete search history.

(56) **References Cited**

**U.S. PATENT DOCUMENTS**

- D322,501 S \* 12/1991 Legault ..... D34/24
- D330,789 S \* 11/1992 Powell ..... D34/5
- D361,643 S \* 8/1995 Snell ..... D34/21
- 6,590,184 B1 \* 7/2003 Andersen ..... 219/136
- D530,875 S \* 10/2006 Rosine et al. .... D34/17
- D546,017 S \* 7/2007 Wise ..... D34/19

- 7,374,185 B1 \* 5/2008 Hollis ..... 280/47.35
- D575,023 S \* 8/2008 Girard ..... D34/19
- D598,622 S \* 8/2009 Wise ..... D34/19
- D612,562 S \* 3/2010 Henderson ..... D34/24

\* cited by examiner

*Primary Examiner*—Patricia Palasik

(74) *Attorney, Agent, or Firm*—Patterson Thunte Christensen Pedersen, P.A.

(57) **CLAIM**

The ornamental design for a welding cart, as shown and described.

**DESCRIPTION**

FIG. 1 is a front perspective view of a welding cart according to the invention;

FIG. 2 is a top plan view of the welding cart depicted in FIG. 1;

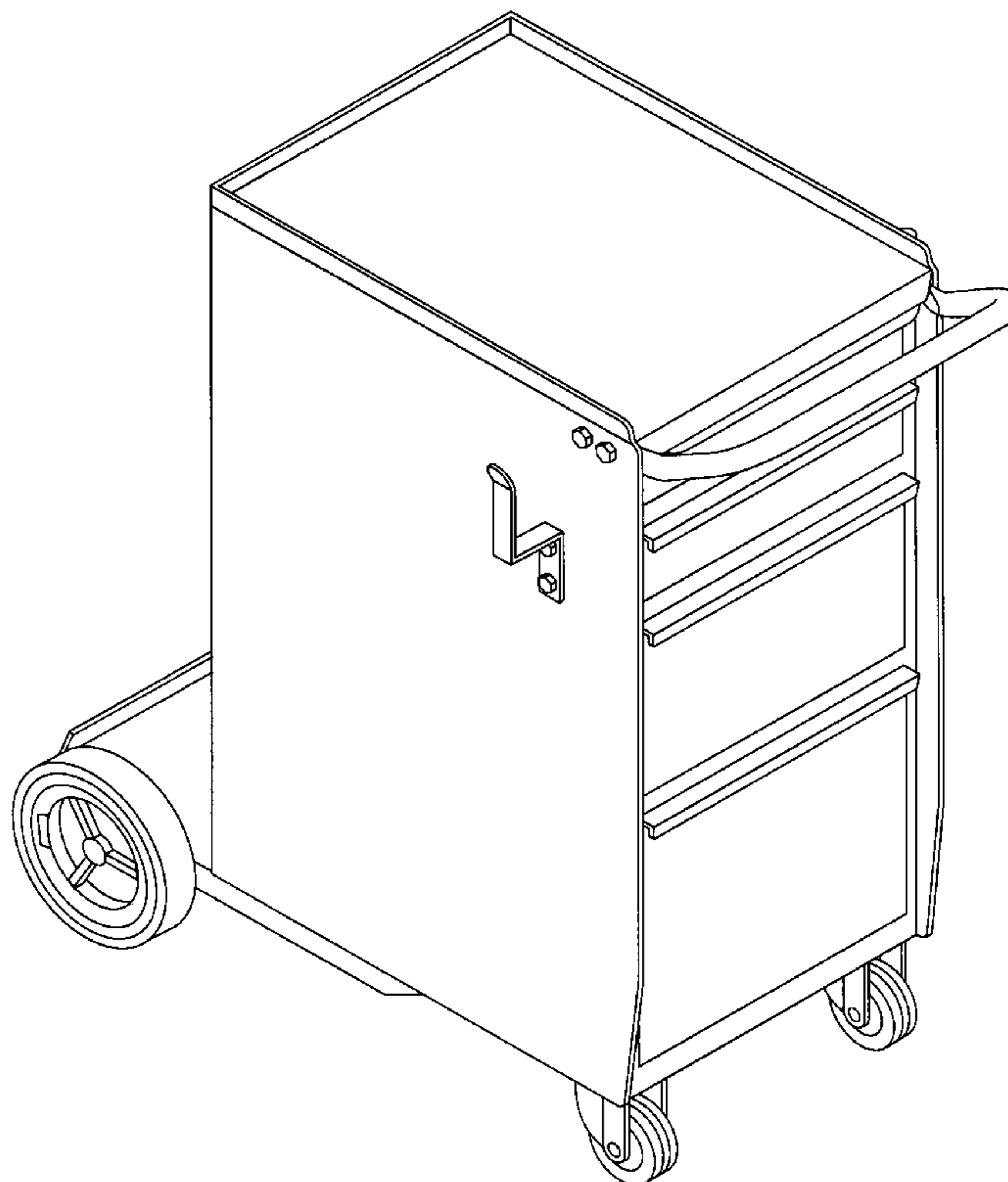
FIG. 3 is a left side elevation view of the welding cart depicted in FIG. 1;

FIG. 4 is a right side elevation view of the welding cart depicted in FIG. 1;

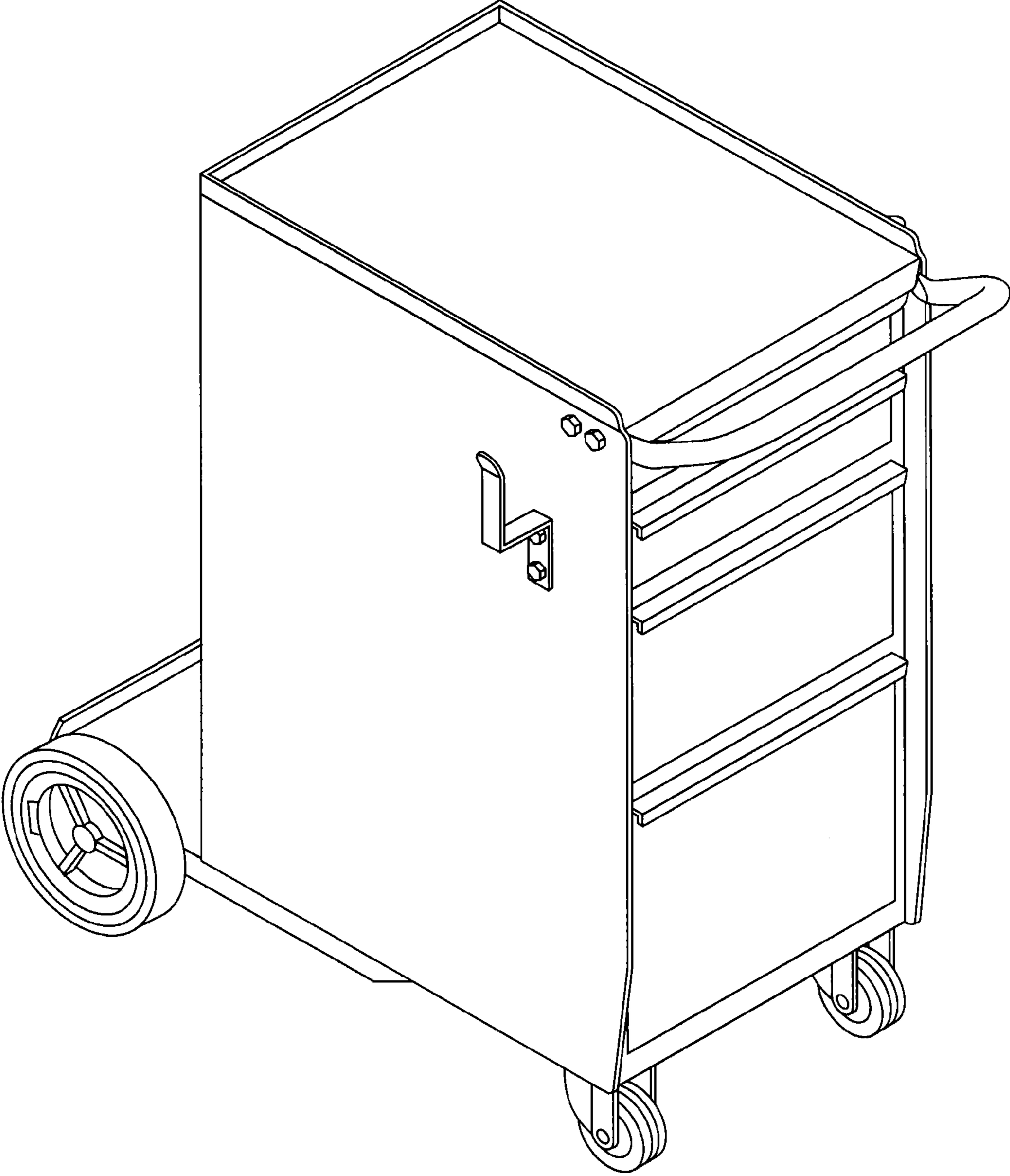
FIG. 5 is a front elevation view of the welding cart depicted in FIG. 1; and,

FIG. 6 is a rear elevation view of the welding cart depicted in FIG. 1.

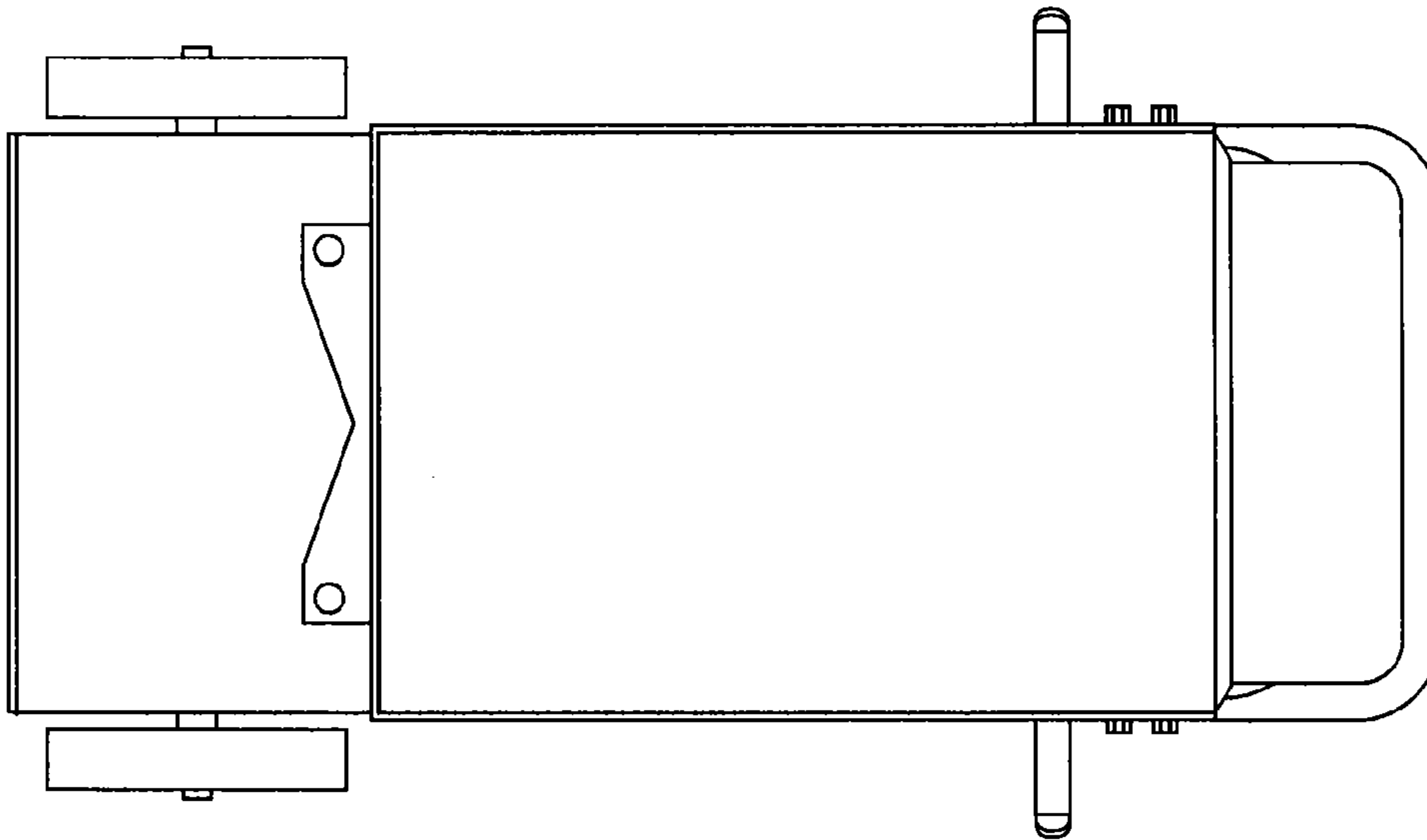
**1 Claim, 4 Drawing Sheets**



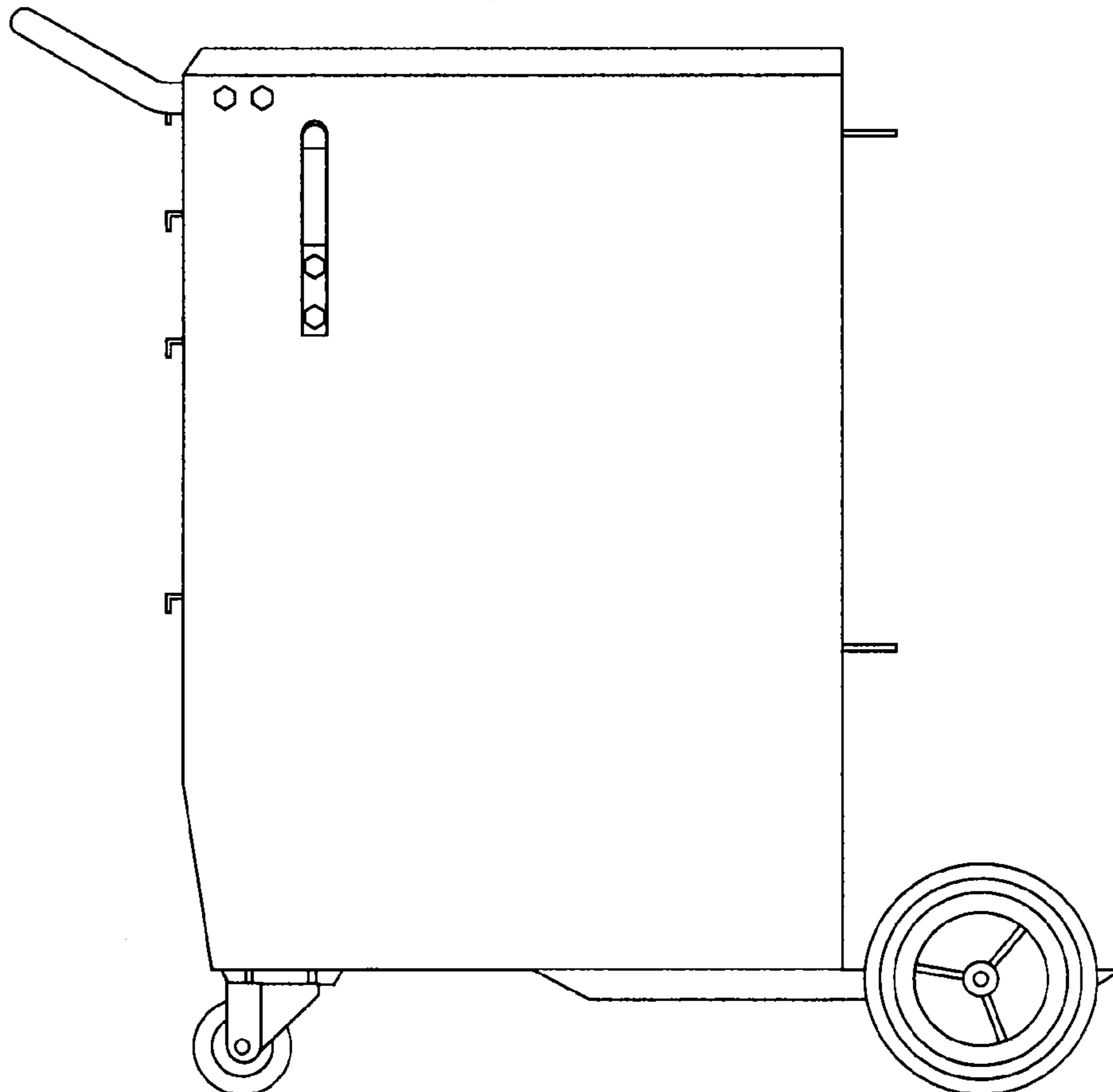
**Fig. 1**



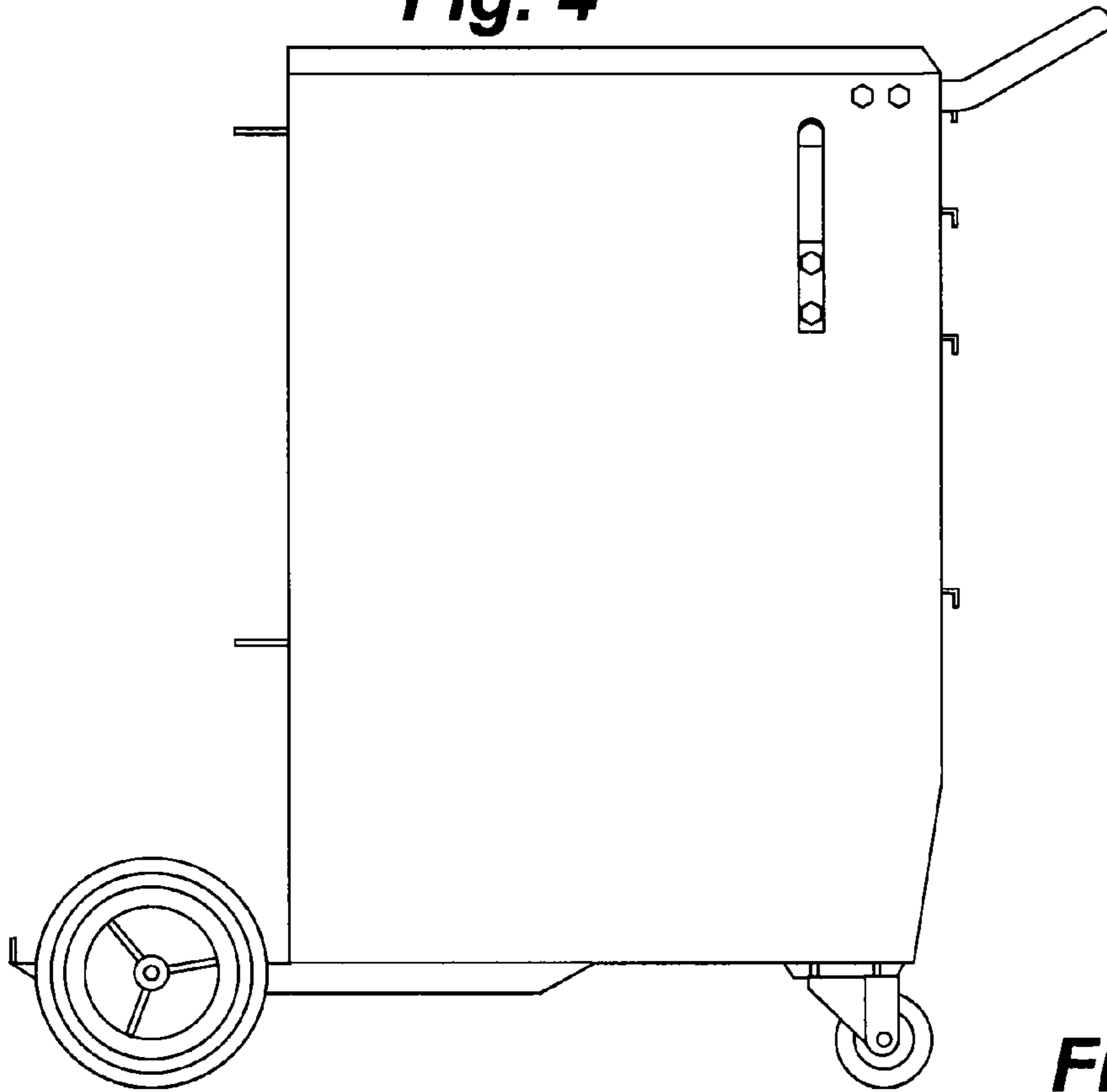
**Fig. 2**



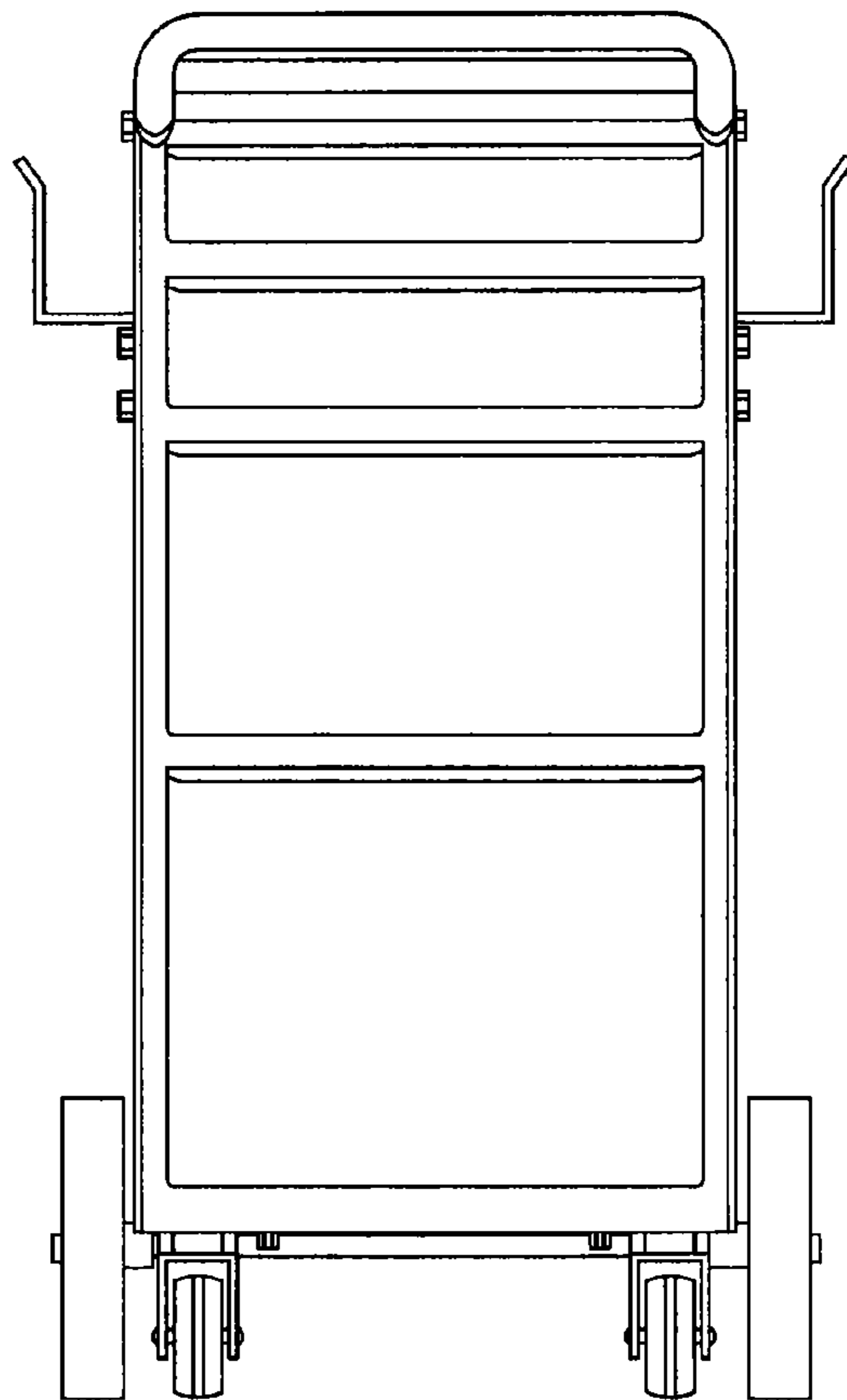
**Fig. 3**



**Fig. 4**



**Fig. 5**



**Fig. 6**

