



US00D629027S

(12) **United States Design Patent**  
**Kersten et al.**

(10) **Patent No.:** **US D629,027 S**

(45) **Date of Patent:** **\*\* \*Dec. 14, 2010**

(54) **ROCK DRILL**

2008/0047759 A1\* 2/2008 Koch ..... 175/426

\* cited by examiner

(75) Inventors: **Heinrich Kersten**, Verden (DE); **Joerg Frommeyer**, Wallenhorst (DE); **Sven Elmers**, Dinklage (DE); **Hermann Albers**, Dinklage (DE)

*Primary Examiner*—Patricia Palasik

(74) *Attorney, Agent, or Firm*—Lowe Hauptman Ham & Berner LLP

(73) Assignee: **Illinois Tool Works Inc.**, Glenview, IL (US)

(57) **CLAIM**

The ornamental design for a rock drill, as shown and described.

(\*\*) Term: **14 Years**

(21) Appl. No.: **29/334,207**

(22) Filed: **Mar. 23, 2009**

(30) **Foreign Application Priority Data**

Sep. 23, 2008 (EM) ..... 001007983-0001

(51) **LOC (9) Cl.** ..... **15-09**

(52) **U.S. Cl.** ..... **D15/139**

(58) **Field of Classification Search** ..... D8/70;  
D15/138, 139; 83/845; 403/331, 381; 407/9,  
407/33, 34, 42, 54, 63, 110, 113, 114, 115;  
408/210–214, 219, 224, 226–230, 240

See application file for complete search history.

(56) **References Cited**

**U.S. PATENT DOCUMENTS**

6,959,775	B2*	11/2005	Pedersen	175/394
7,225,890	B2*	6/2007	Meierhofer et al.	175/415
2005/0092528	A1*	5/2005	Kersten	175/395
2005/0126829	A1*	6/2005	Meierhofer et al.	175/395
2005/0205306	A1*	9/2005	Miyanaga	175/323
2007/0169965	A1*	7/2007	Moser et al.	175/420.1
2007/0251734	A1*	11/2007	Koch et al.	175/415
2008/0014048	A1*	1/2008	Nadler	411/387.8

**DESCRIPTION**

FIG. 1 is a front view of a rock drill bearing the design, wherein the rock drill is a single piece extending continuously in a single axial direction from the bottom end to the tip portion, and wherein the single-piece rock drill is depicted in three parts side-by-side for illustrative purposes only, and to show details of the tip portion;

FIG. 2 is a cross-sectional view of the rock drill taken along line 2—2 in FIG. 1;

FIG. 3 is a right-side view of the rock drill, wherein the single-piece rock drill is depicted in three parts side-by-side for illustrative purposes only, and to show details of the tip portion;

FIG. 4 is a bottom view of the rock drill;

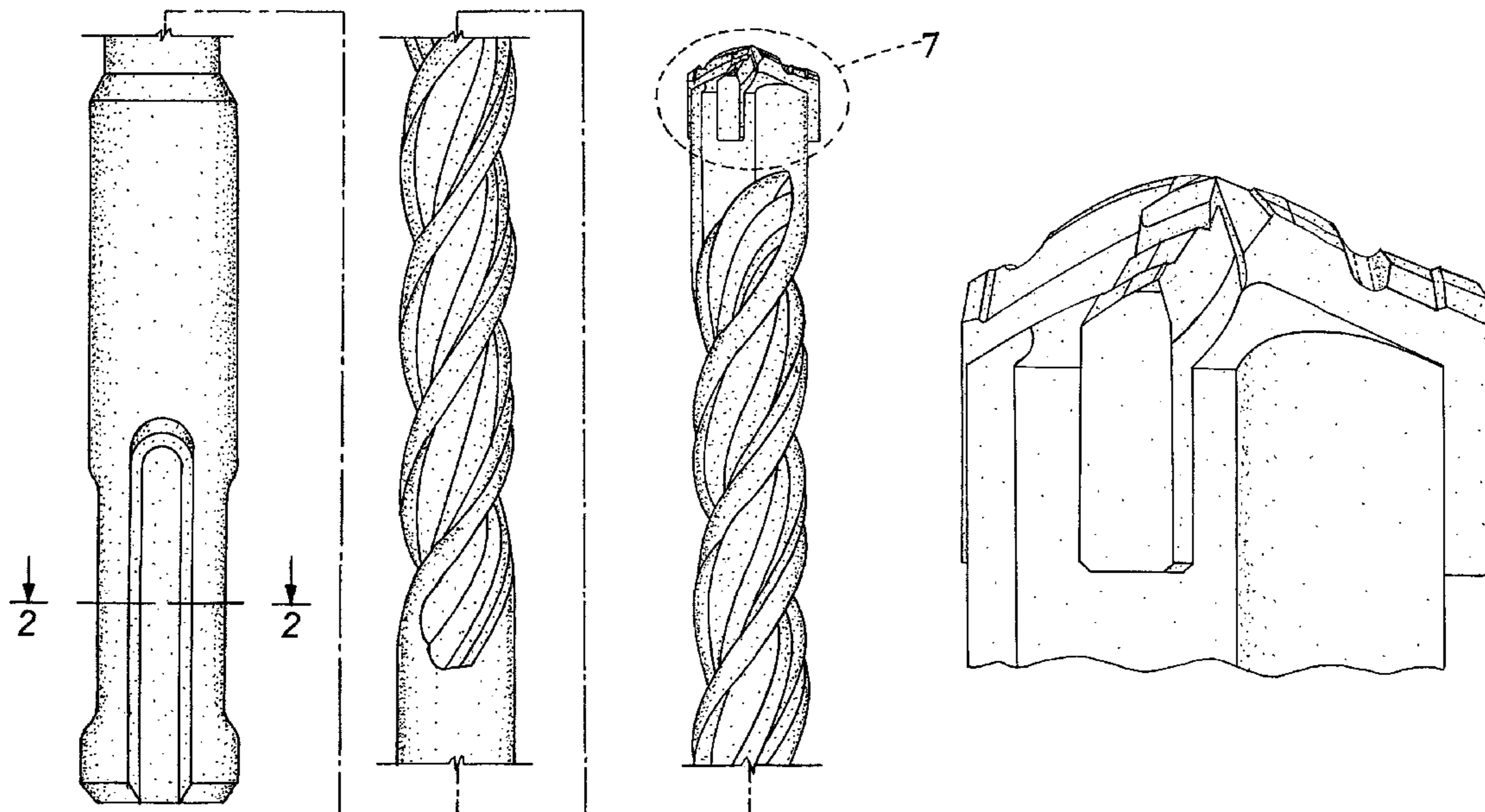
FIG. 5 is an enlarged top view of the rock drill;

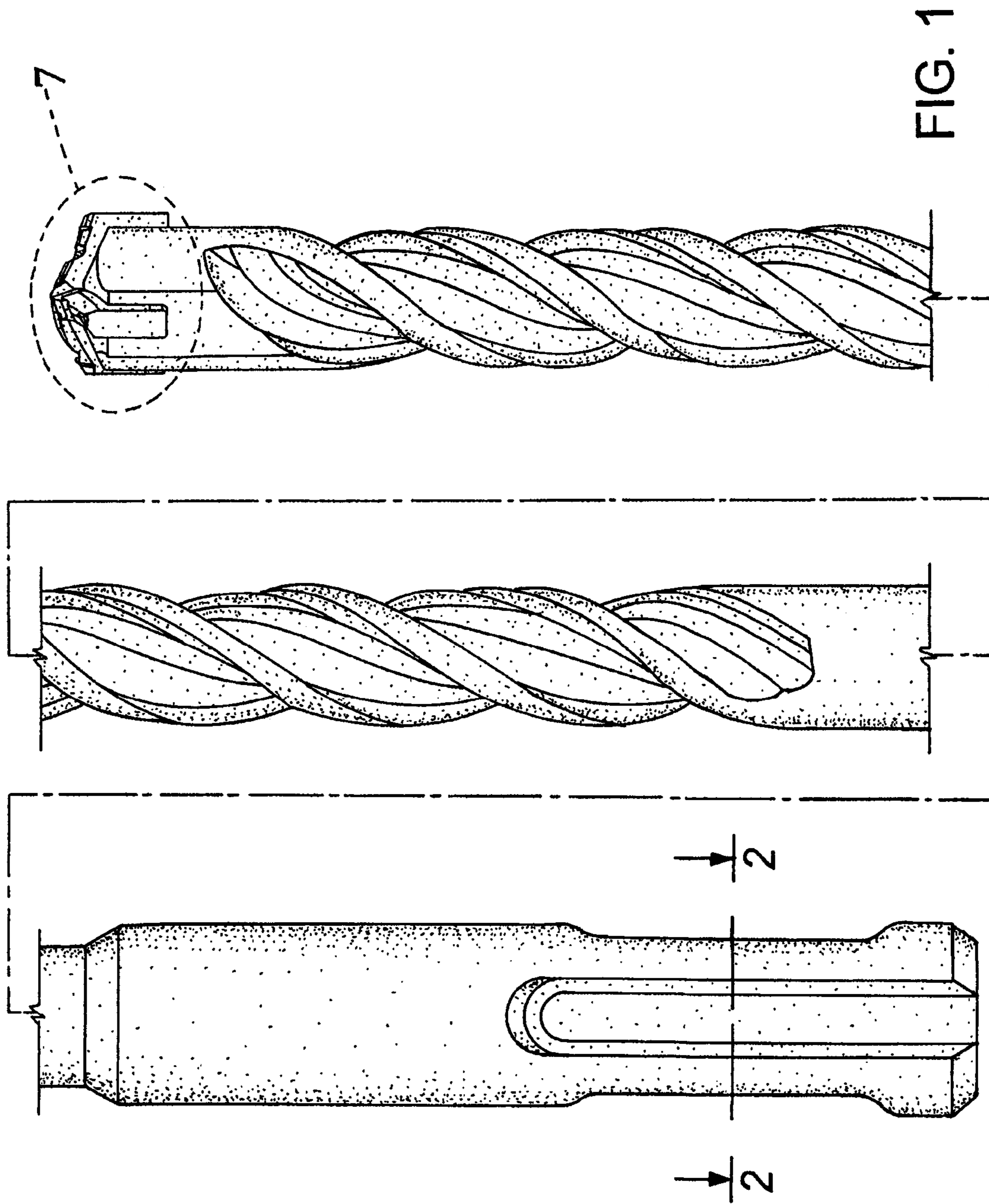
FIG. 6 is an enlarged detail view of the tip portion of the rock drill shown in the circle labeled 6 in FIG. 3; and,

FIG. 7 is an enlarged detail view of the tip portion of the rock drill shown in the circle labeled 7 in FIG. 1.

The broken lines in FIGS. 5-7 are for illustrative purposes only and form no part of the claimed design.

**1 Claim, 5 Drawing Sheets**





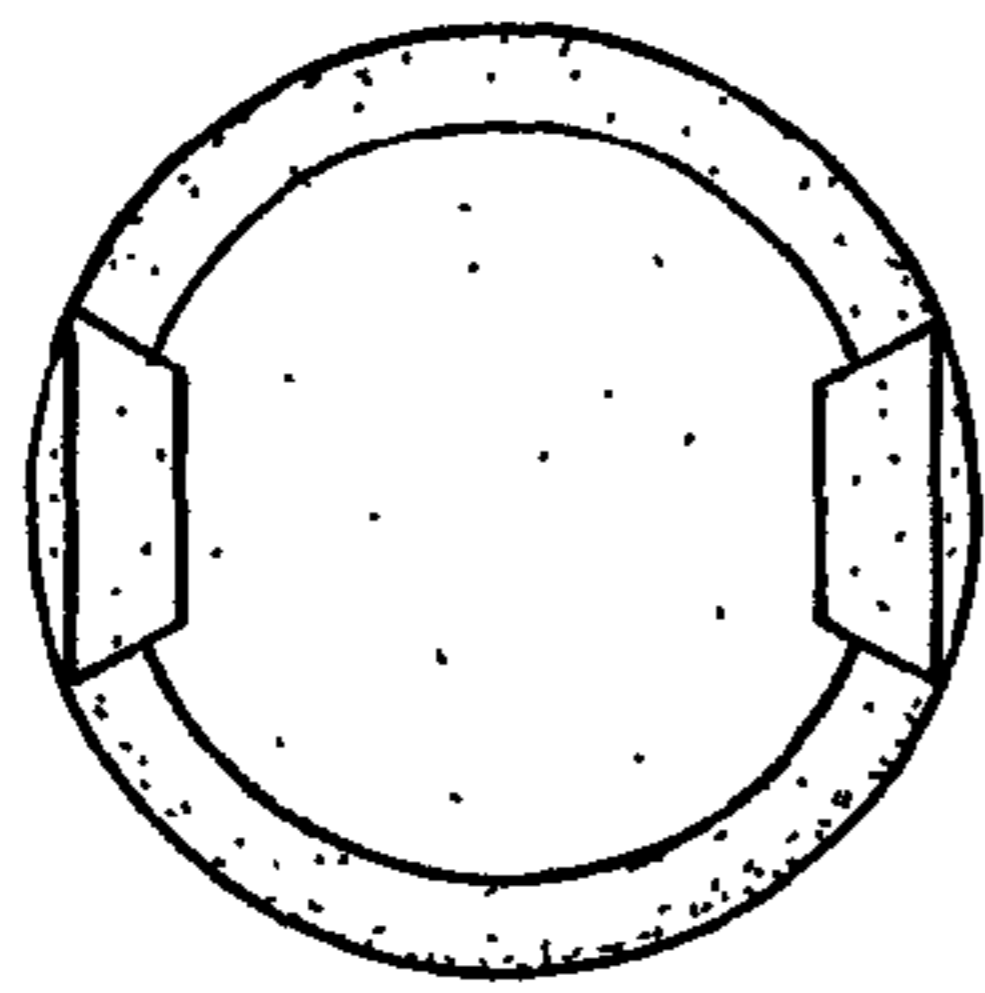


FIG. 4

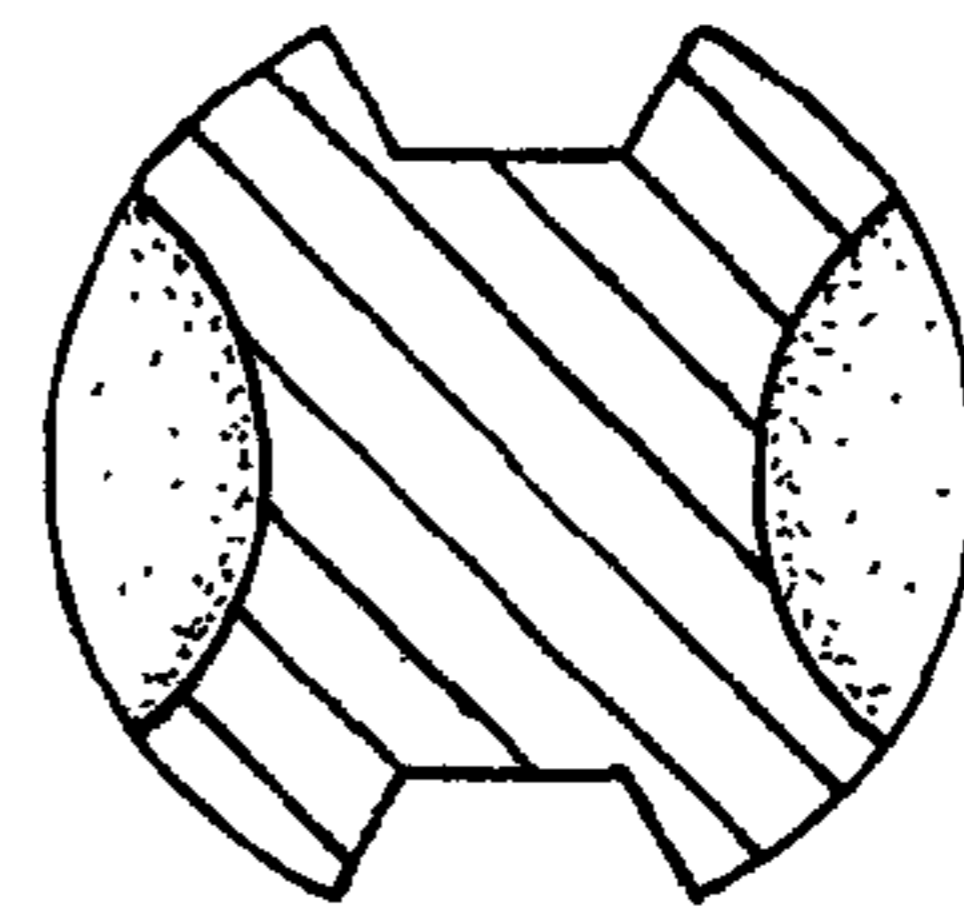


FIG. 2

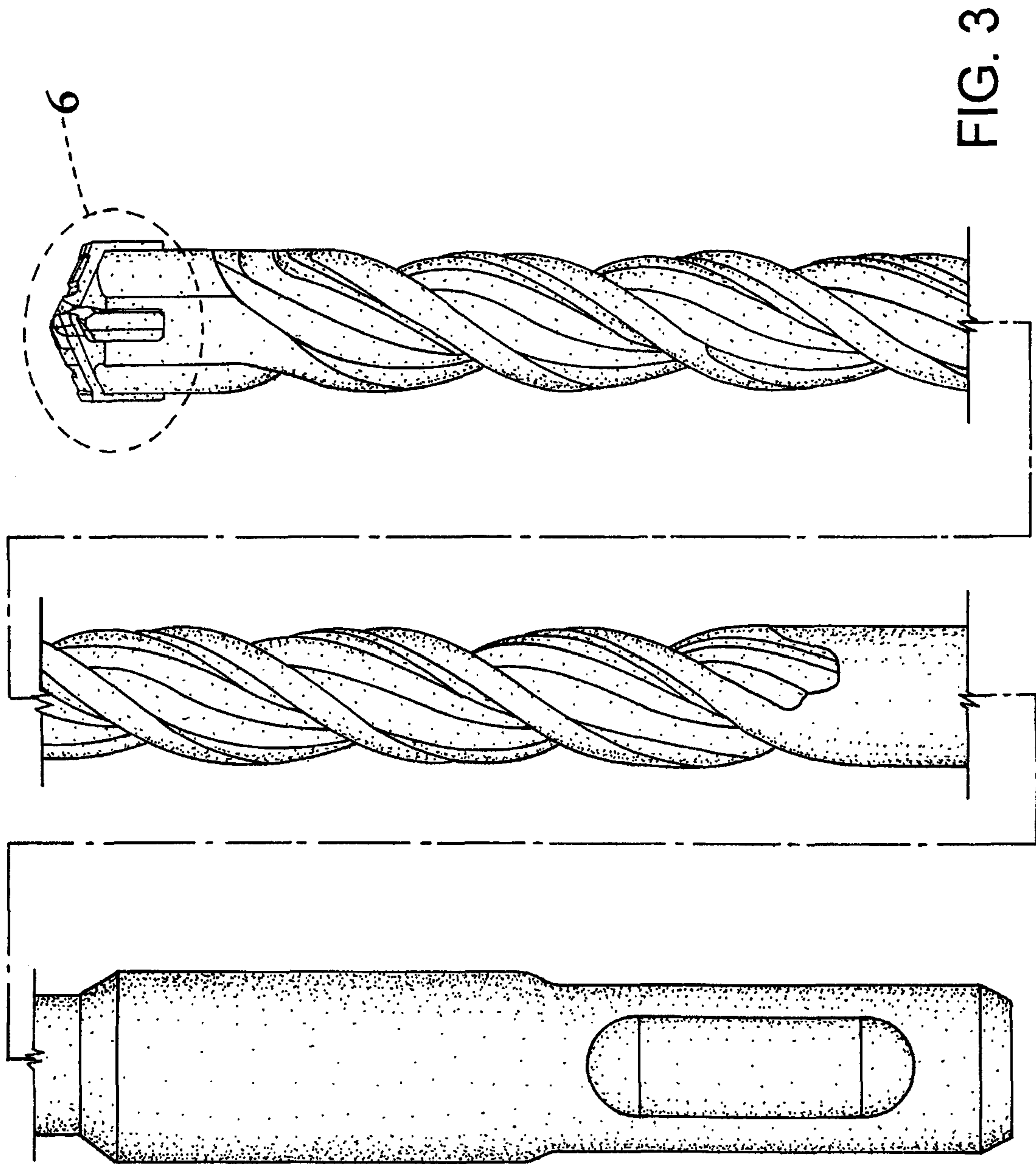


FIG. 3

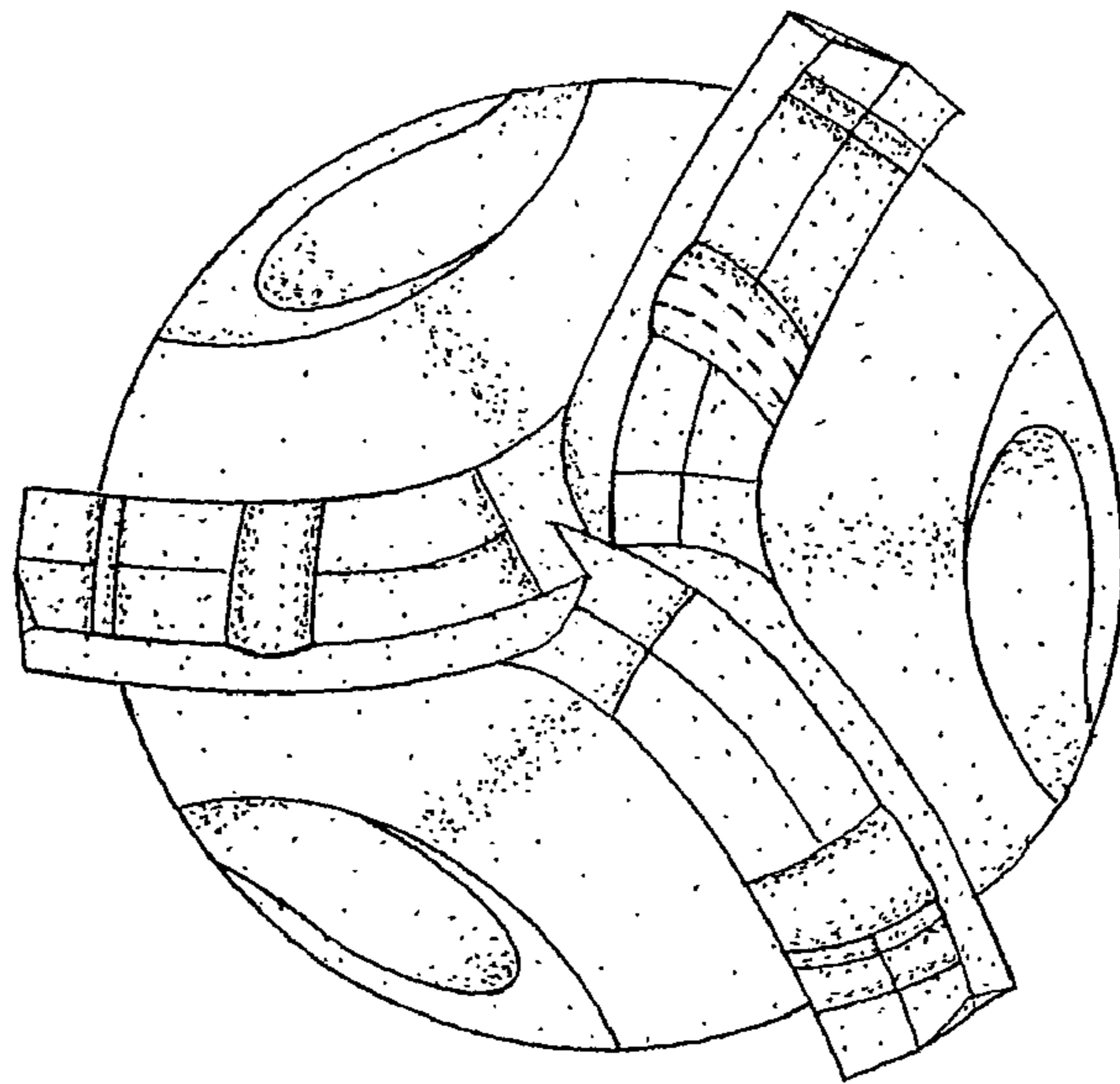


FIG. 5

FIG. 6

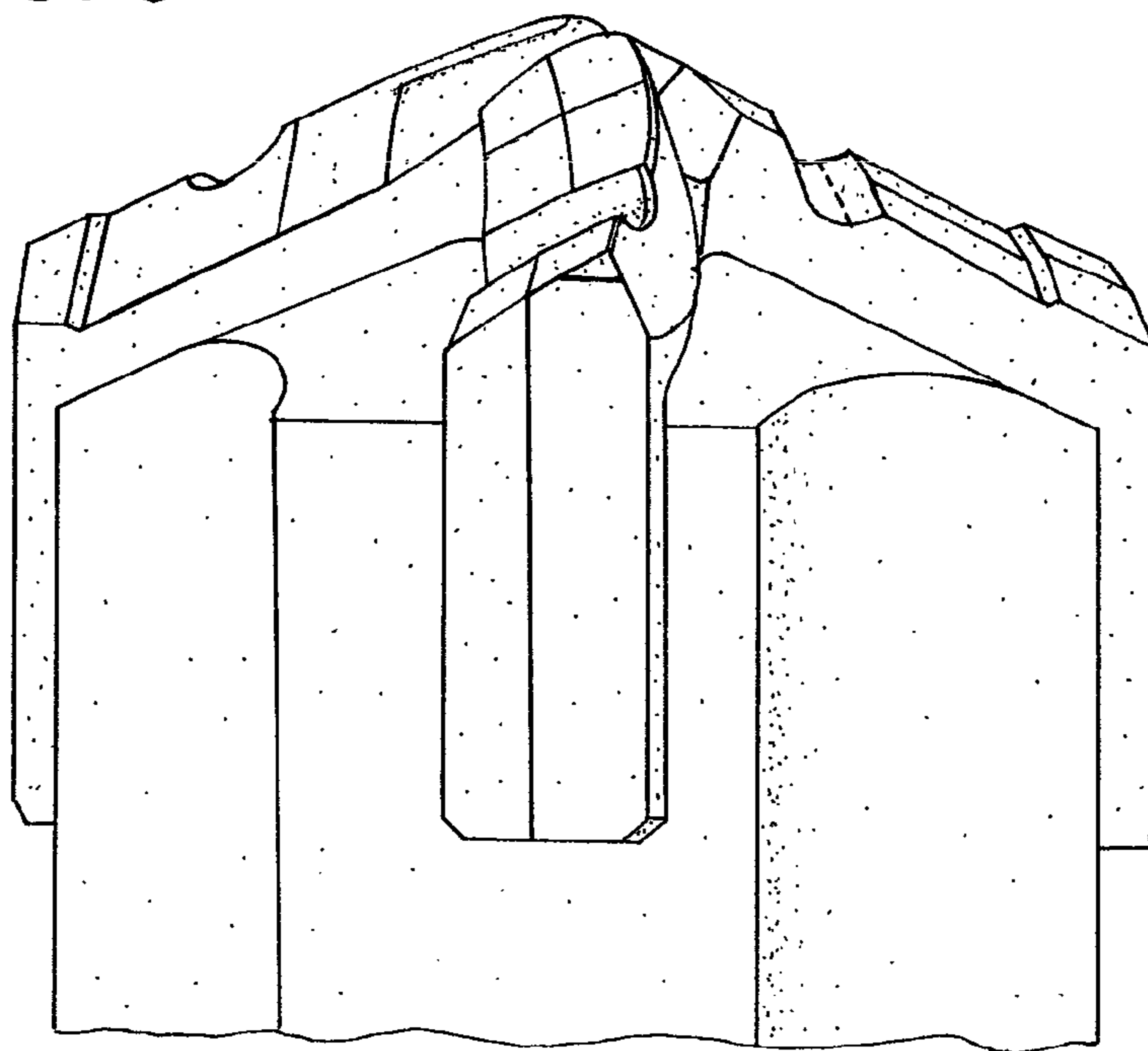


FIG. 7

