



US00D629026S

(12) **United States Design Patent**
Baratta

(10) **Patent No.:** **US D629,026 S**

(45) **Date of Patent:** **** Dec. 14, 2010**

(54) **DRILL STAND**

(75) Inventor: **Anthony Baratta**, Oak Park, CA (US)

(73) Assignee: **Husqvarna Construction Products**
North America Inc., Olathe, NC (US)

(**) Term: **14 Years**

(21) Appl. No.: **29/361,353**

(22) Filed: **May 10, 2010**

Related U.S. Application Data

(62) Division of application No. 29/299,852, filed on Jan. 4, 2008, now Pat. No. Des. 617,818.

(51) **LOC (9) Cl.** **15-09**

(52) **U.S. Cl.** **D15/132**

(58) **Field of Classification Search** D8/61,
D8/70, 71; D15/132, 140; 175/20, 202,
175/203, 220; 408/9, 12, 16, 17, 75, 76,
408/87, 90, 129, 132, 135, 204, 214 S, 234,
408/235, 236, 710, 712

See application file for complete search history.

(56) **References Cited**

U.S. PATENT DOCUMENTS

| | | | | |
|-----------|-----|---------|--------------|---------|
| 3,093,249 | A | 6/1963 | Wuesthoff | |
| 3,837,757 | A * | 9/1974 | Levine | 408/14 |
| D392,534 | S * | 3/1998 | Degen et al. | D15/132 |
| 5,765,273 | A * | 6/1998 | Mora et al. | 29/560 |
| 5,954,460 | A * | 9/1999 | Degen et al. | 408/112 |
| D414,669 | S * | 10/1999 | Howard | D15/140 |

| | | | | |
|--------------|------|---------|-----------------|---------|
| 6,692,201 | B2 * | 2/2004 | Soderman | 408/111 |
| D497,622 | S * | 10/2004 | Theising et al. | D15/134 |
| 2003/0233925 | A1 | 12/2003 | Makropoulos | |
| 2004/0151552 | A1 * | 8/2004 | Baratta | 408/135 |
| 2007/0217879 | A1 * | 9/2007 | Larsson | 408/129 |

FOREIGN PATENT DOCUMENTS

| | | |
|----|---------|--------|
| DE | 3629368 | 3/1988 |
| DE | 9204693 | 6/1992 |
| DE | 9406622 | 2/1995 |

* cited by examiner

Primary Examiner—Patricia Palasik

(74) *Attorney, Agent, or Firm*—Novak Druce + Quigg LLP

(57) **CLAIM**

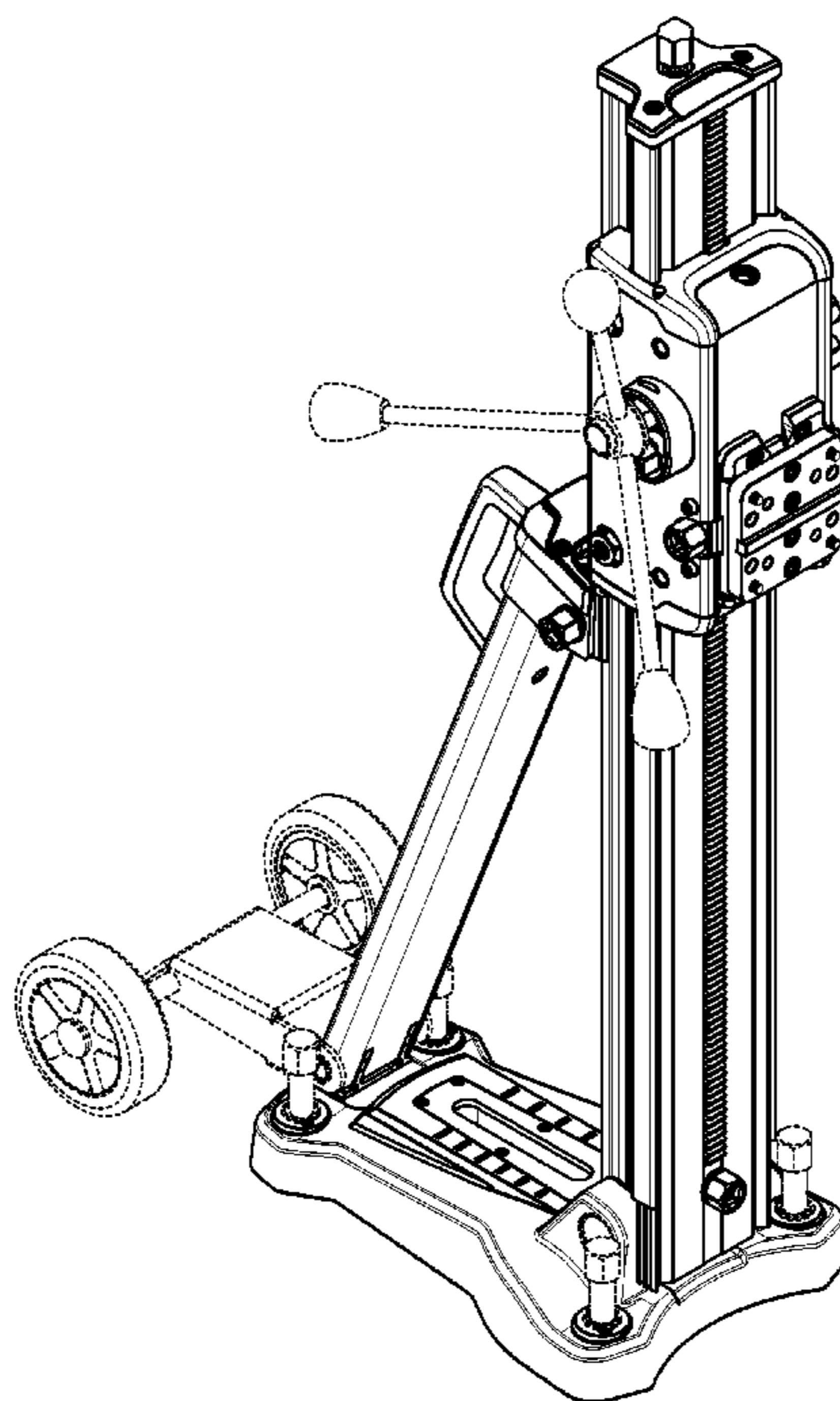
I claim the ornamental design for a drill stand, as shown and described.

DESCRIPTION

FIG. 1 is a right front isometric view of a drill stand;
FIG. 2 is a left elevational view of the drill stand;
FIG. 3 is a right elevational view of the drill stand;
FIG. 4 is a front elevational view of the drill stand;
FIG. 5 is a back elevational view of the drill stand;
FIG. 6 is a bottom plan view of the drill stand; and,
FIG. 7 is a top plan view of the third embodiment of the drill stand.

The broken lines shown in the drawings are for illustrative purposes only and form no part of the claimed design.

1 Claim, 7 Drawing Sheets



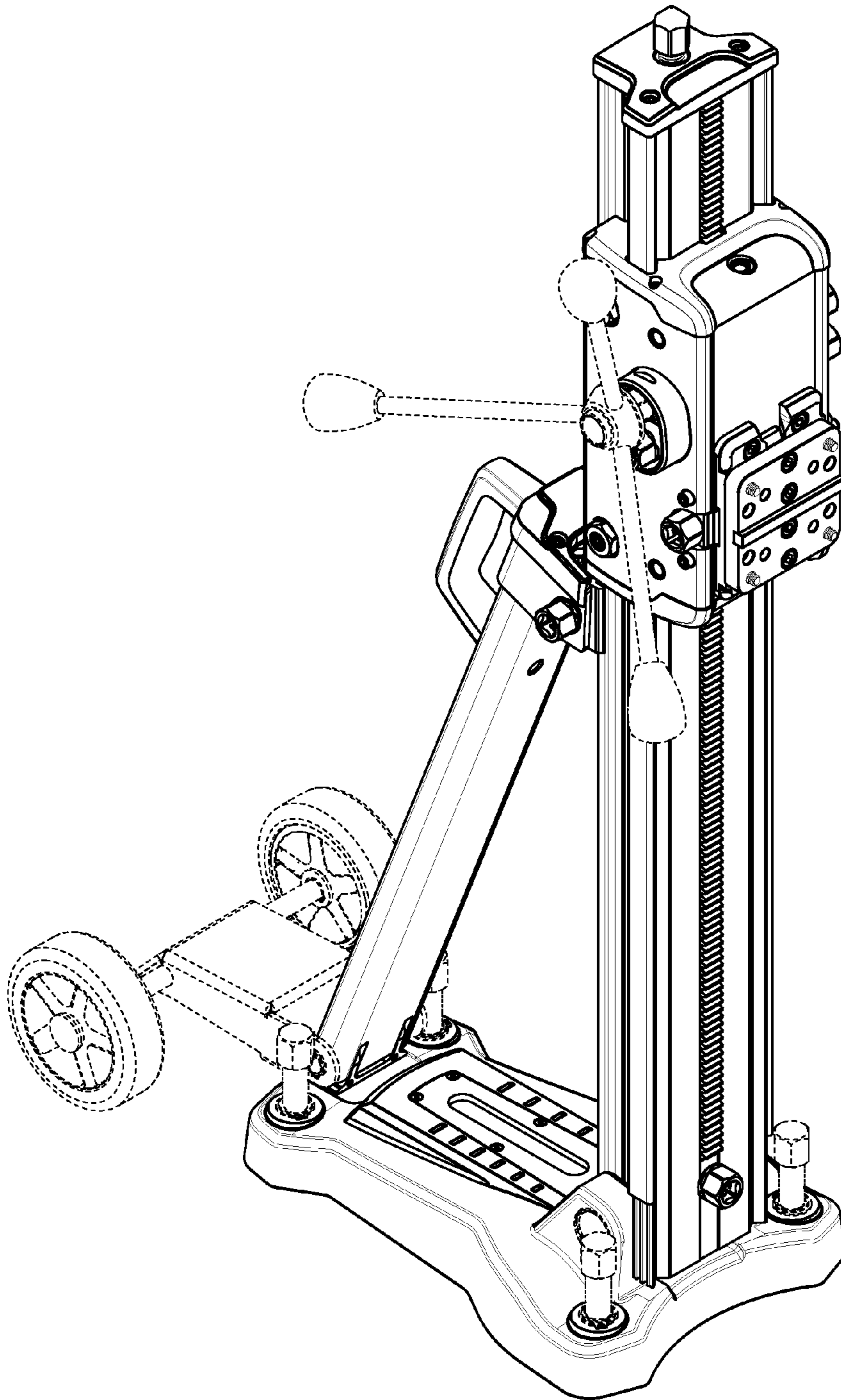


FIG. 1

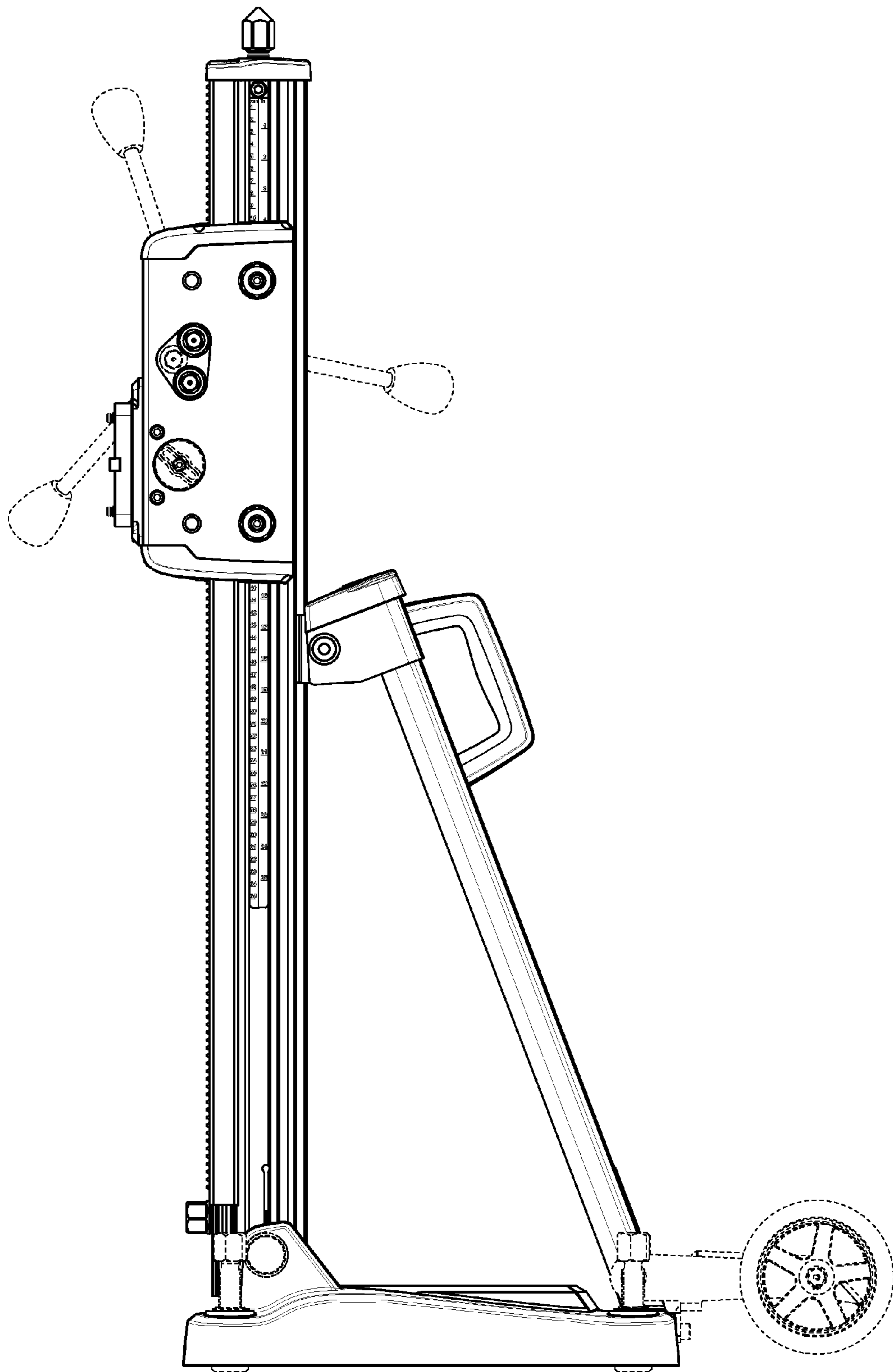


FIG. 2

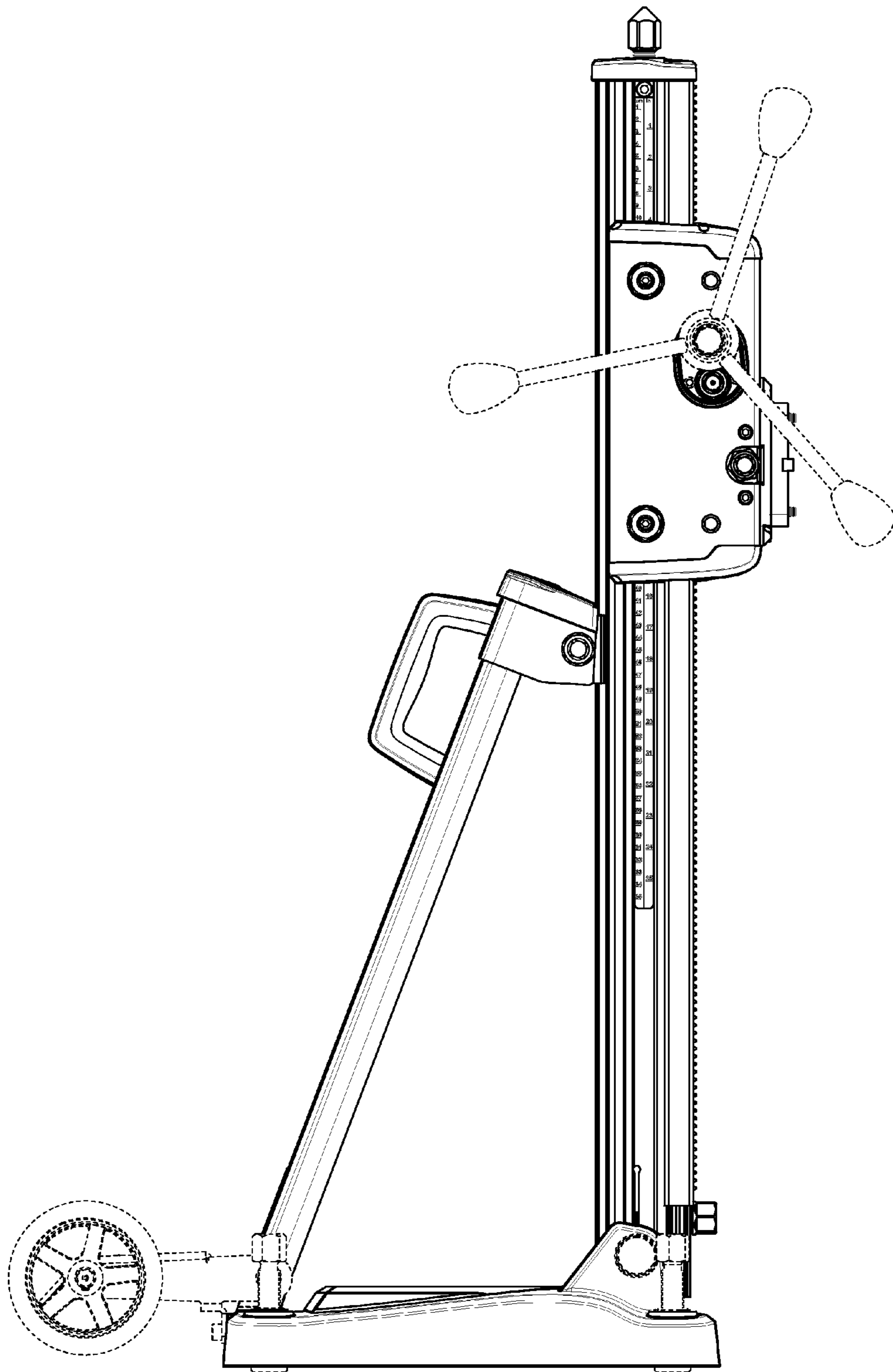


FIG. 3

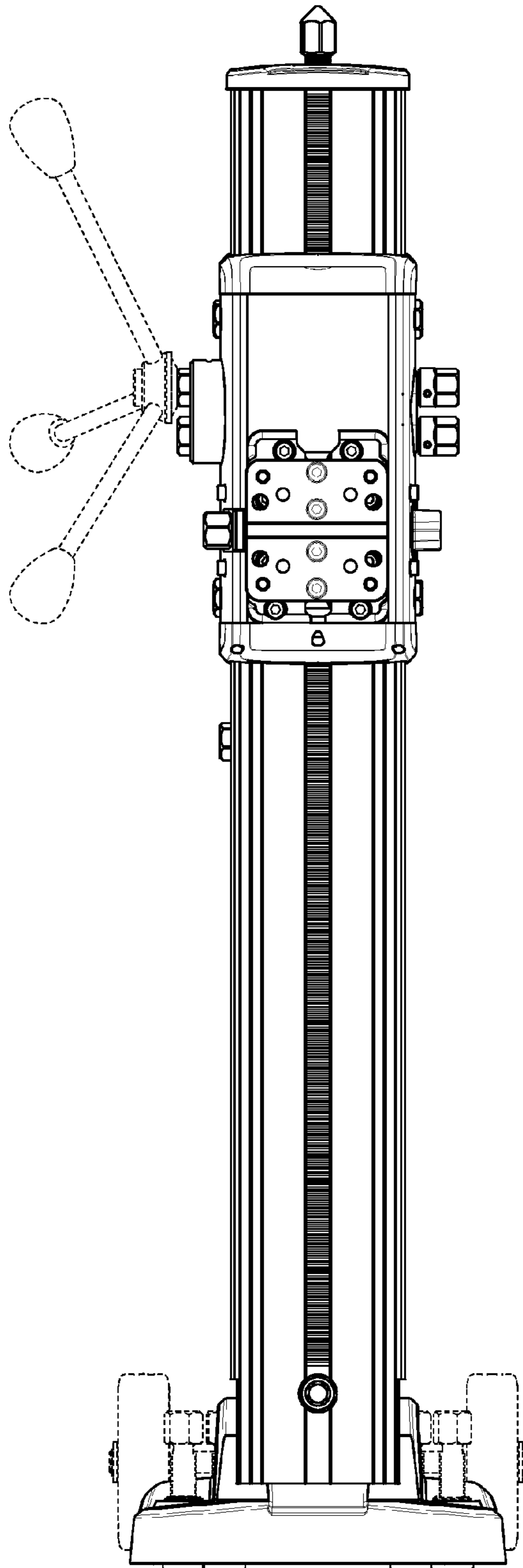


FIG. 4

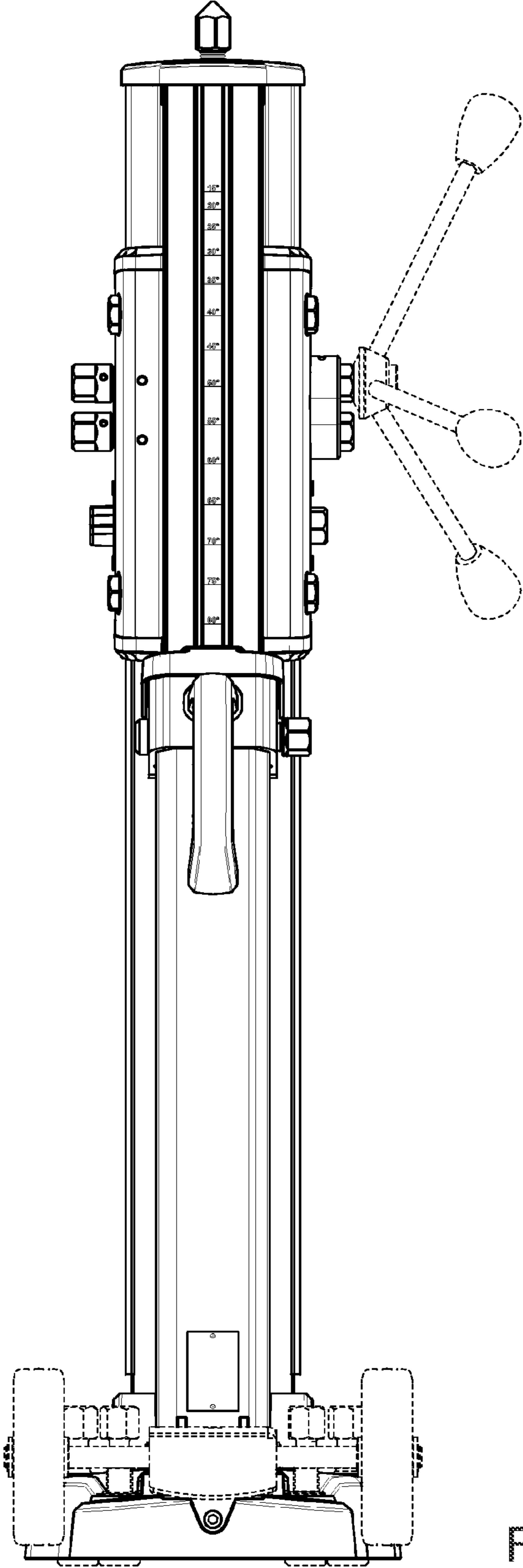


FIG. 5

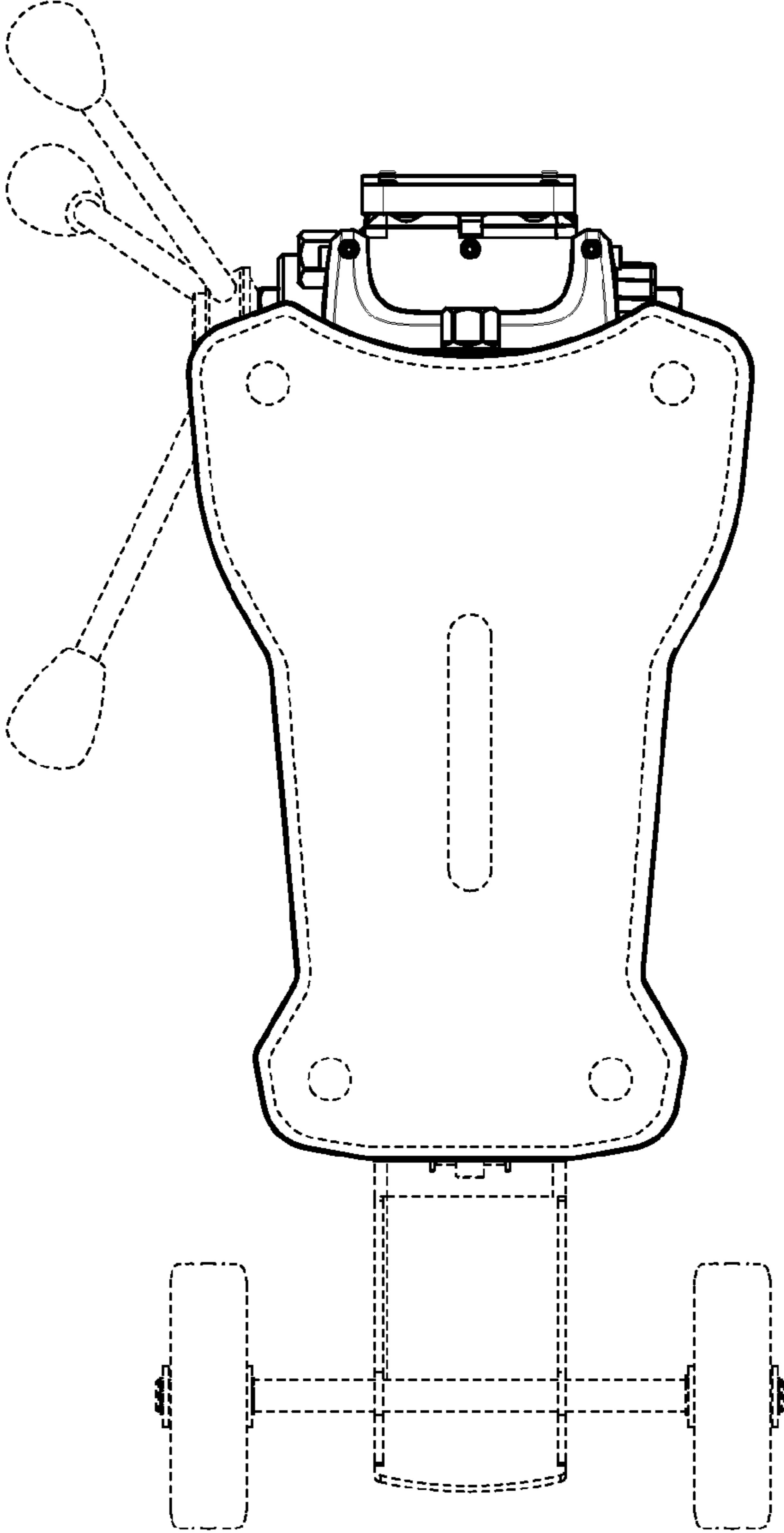


FIG. 6

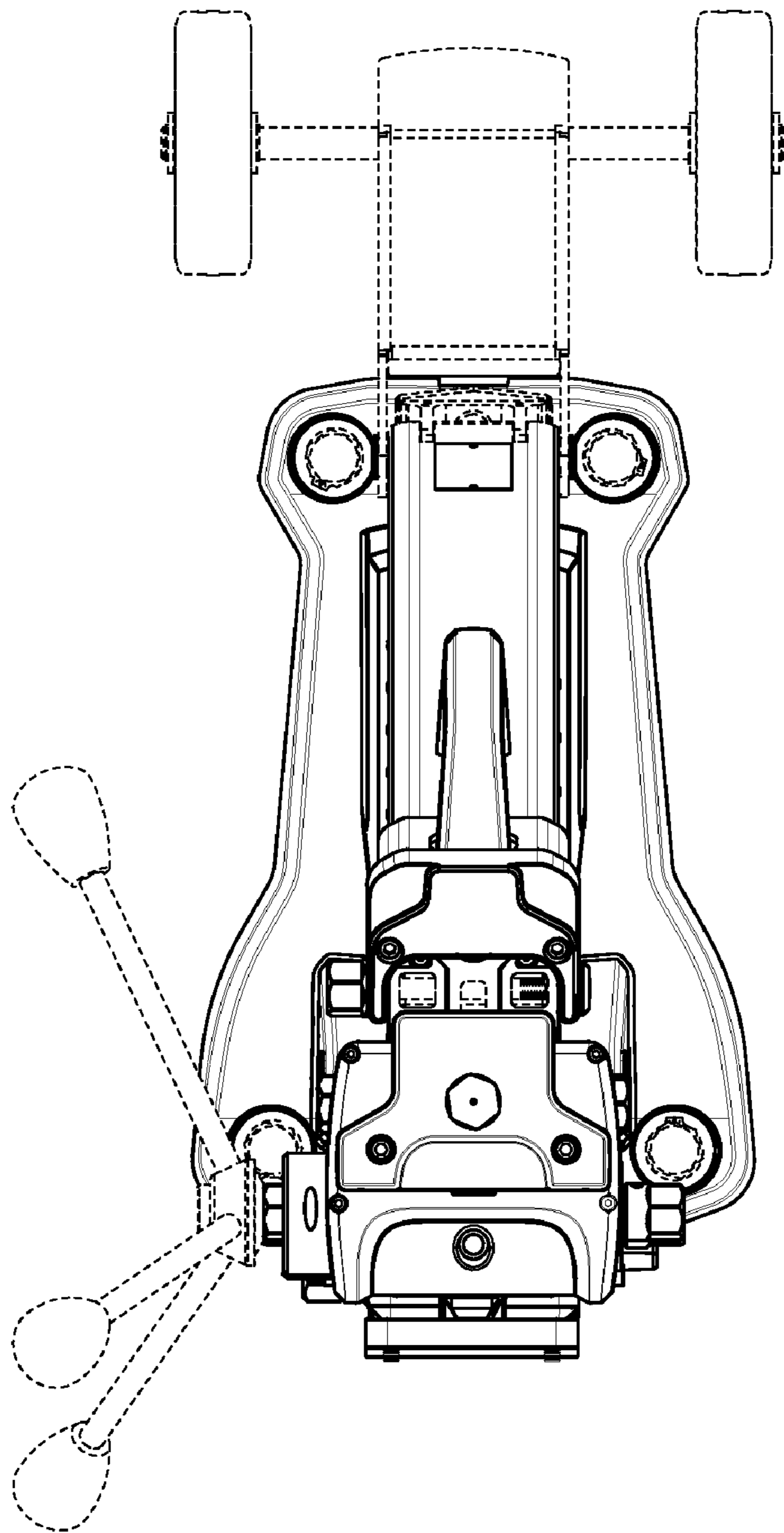


FIG. 7