

US00D629025S

(12) **United States Design Patent**
Greenleaf

(10) **Patent No.:** **US D629,025 S**

(45) **Date of Patent:** **** Dec. 14, 2010**

(54) **SHEDDER PIN**

(76) **Inventor:** **Richard J. Greenleaf**, 14 Ocean St.,
Manchester-by-the-Sea, MA (US) 01944

(**) **Term:** **14 Years**

(21) **Appl. No.:** **29/307,009**

(22) **Filed:** **Mar. 27, 2008**

(51) **LOC (9) Cl.** **15-09**

(52) **U.S. Cl.** **D15/128; D15/138**

(58) **Field of Classification Search** D8/70,
D8/71; D15/128, 138, 139, 140; 29/432,
29/432.1, 432.2, 609, 738; 72/313, 324,
72/326-328, 332, 334, 335, 336, 348, 397,
72/404, 427, 432, 455, 456, 464; 83/465,
83/613, 627, 639, 681, 685, 686; 113/1 F,
113/121 R; 269/37, 40

See application file for complete search history.

(56) **References Cited**

U.S. PATENT DOCUMENTS

- D24,321 S * 5/1895 Broch D15/139
- 1,195,717 A * 8/1916 Pejauo et al. 408/222
- 1,822,468 A * 9/1931 Wales 83/140
- 4,116,602 A * 9/1978 Hall 425/354
- 4,221,147 A * 9/1980 Sumida 83/574
- 4,302,996 A * 12/1981 Wilhelm 83/212
- D262,938 S * 2/1982 Schulze D8/70
- D276,879 S * 12/1984 Bell D8/70
- 4,489,492 A * 12/1984 Diggins 30/241
- 4,700,601 A * 10/1987 Simon 83/687
- D293,914 S * 1/1988 Hudson D15/139
- 4,763,552 A * 8/1988 Wagner 83/689
- 4,852,865 A * 8/1989 Edrich et al. 269/48
- D316,103 S * 4/1991 Lassiter D15/139
- D328,844 S * 8/1992 Fritz D8/70
- 5,263,237 A * 11/1993 Gallant et al. 29/402.06
- D358,082 S * 5/1995 Trezza D8/70
- D376,084 S * 12/1996 Karvinen D8/70
- 5,603,153 A * 2/1997 Zmyslowski 29/509
- 5,682,782 A * 11/1997 Rosene et al. 72/179
- 5,686,999 A * 11/1997 Mizuno et al. 358/296

- 5,693,905 A * 12/1997 Blodgett et al. 86/32
- D392,985 S * 3/1998 Williams D15/140
- 5,750,900 A * 5/1998 Hugentobler et al. 73/779
- D401,828 S * 12/1998 Schneider D8/70
- D410,367 S * 6/1999 Applegate et al. D8/27
- 6,260,463 B1 * 7/2001 Brand et al. 86/37
- 6,276,246 B1 * 8/2001 Bezama et al. 83/24
- 6,287,059 B1 * 9/2001 Hashidate et al. 409/233
- 6,464,269 B1 * 10/2002 Wilhelm et al. 292/307 R
- 6,565,496 B1 * 5/2003 LaPlante et al. 483/1
- D476,873 S * 7/2003 Carroll D8/70
- D530,729 S * 10/2006 Cook D15/140
- 2003/0232522 A1 * 12/2003 Buondelmonte et al. 439/74
- 2004/0159979 A1 * 8/2004 Tanaka 264/328.1

(Continued)

Primary Examiner—Patricia Palasik

(74) *Attorney, Agent, or Firm*—Don Halgren

(57) **CLAIM**

The ornamental design for the shedder pin, as shown and described.

DESCRIPTION

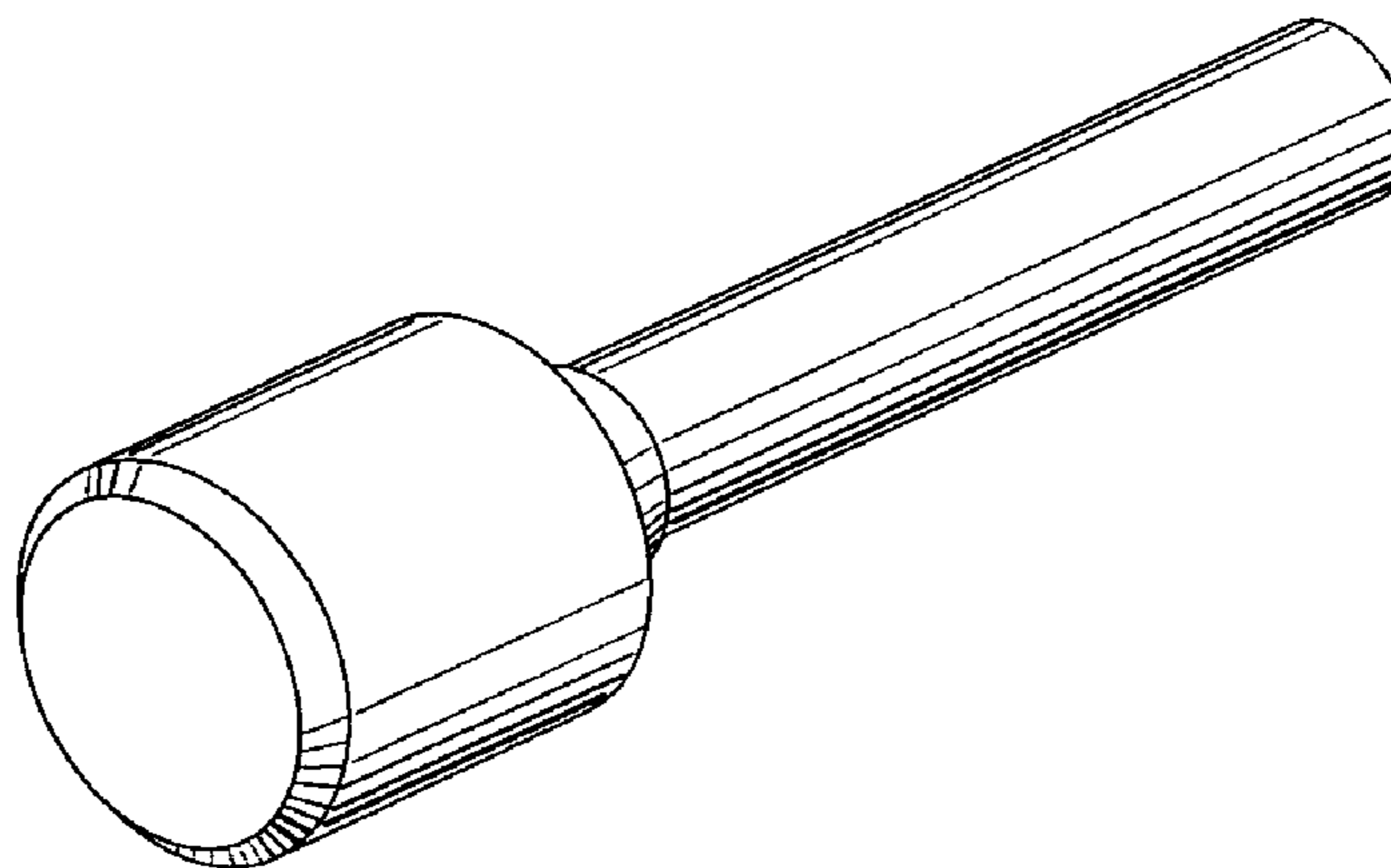
FIG. 1 is a perspective view of the shedder pin of the present invention, looking angularly towards a back end thereof;

FIG. 2 is a side elevational view of the shedder pin of the present invention, which side view is common to all sides of said shedder pin;

FIG. 3 is a top end view of the shedder pin of the present invention; and,

FIG. 4 is a view of the bottom or back end of the shedder pin of the present invention.

1 Claim, 3 Drawing Sheets



US D629,025 S

Page 2

U.S. PATENT DOCUMENTS

2004/0261918	A1 *	12/2004	Ando et al.	148/649	2006/0216347	A1 *	9/2006	Stroppolo et al.	424/464
2005/0019137	A1 *	1/2005	Iwatsuki et al.	411/501	2007/0209215	A1 *	9/2007	Retterer et al.	30/241
2005/0076558	A1 *	4/2005	Jeffers	43/44.87	2007/0227286	A1 *	10/2007	Kandasamy	74/469
2006/0137499	A1 *	6/2006	Ueno	83/30	2008/0048489	A1 *	2/2008	Liu	301/61
2006/0211041	A1 *	9/2006	Endo et al.	435/7.1	2008/0314526	A1 *	12/2008	Hui	156/510
					2009/0044671	A1 *	2/2009	Greenleaf	83/133

* cited by examiner

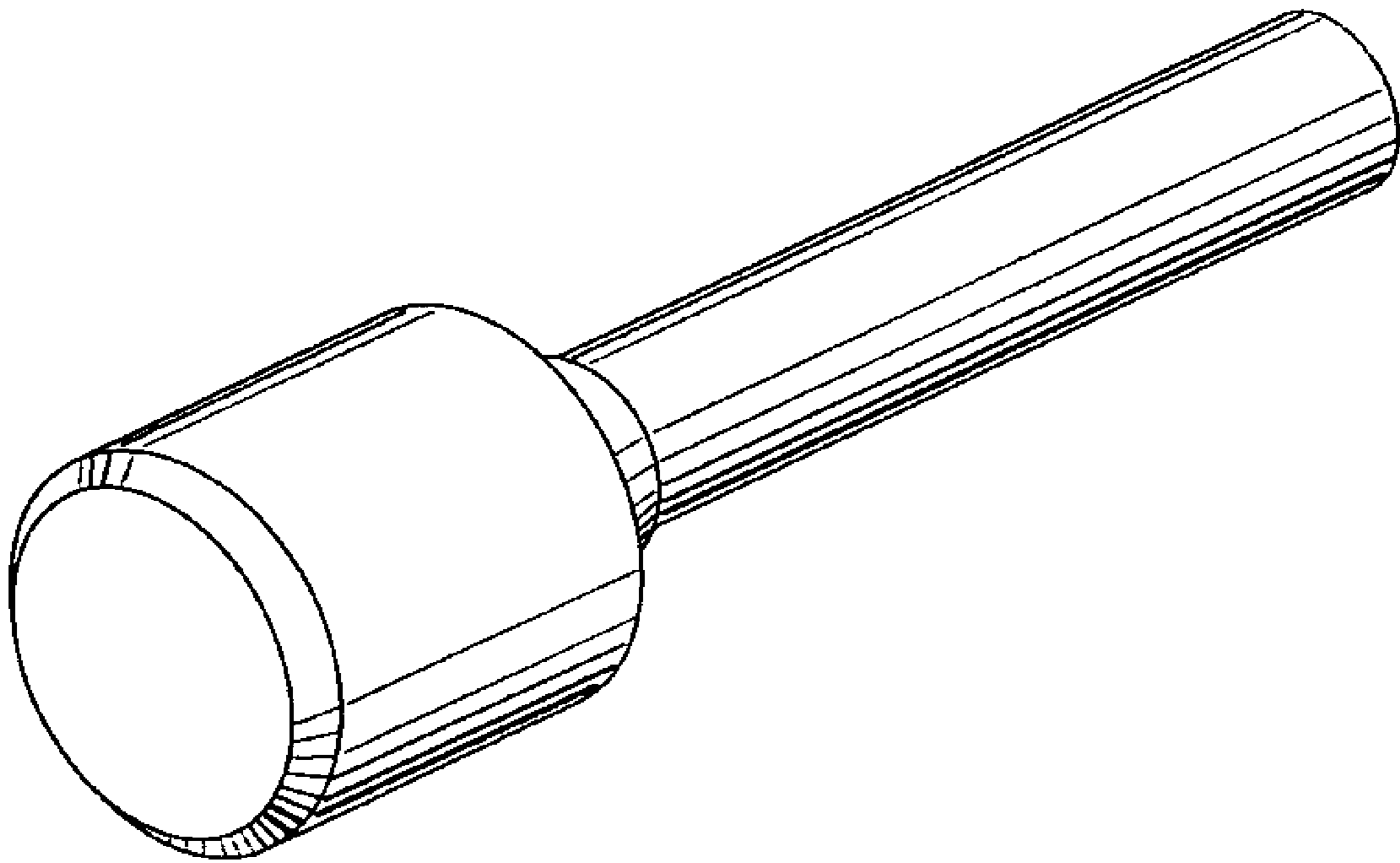


Fig. 1

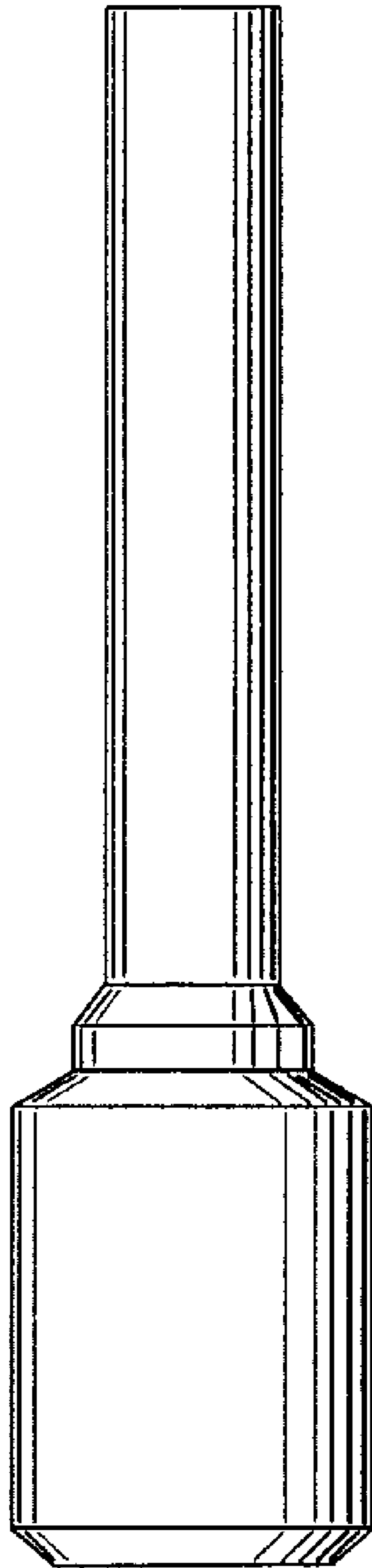


Fig. 2

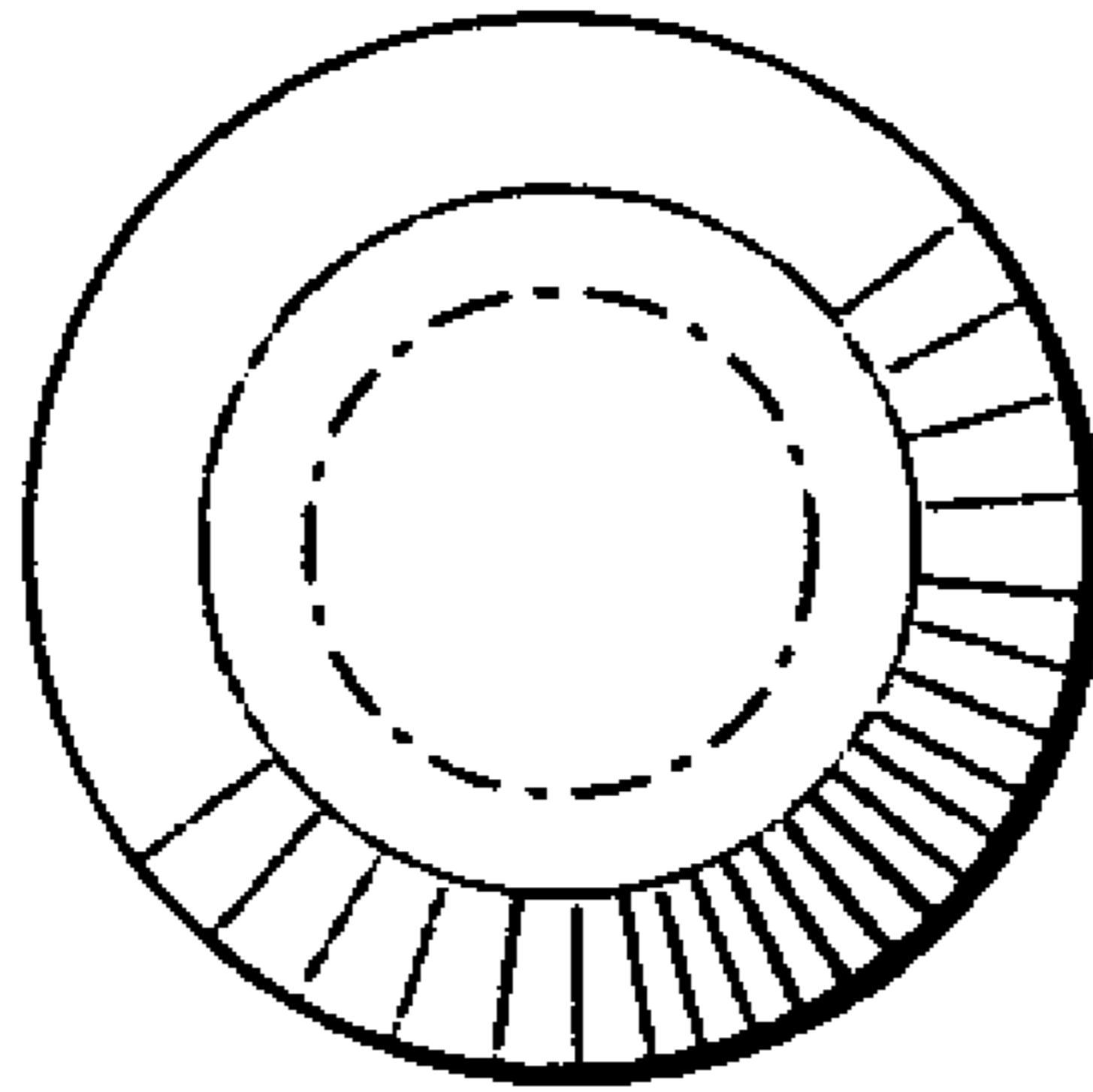


Fig. 3

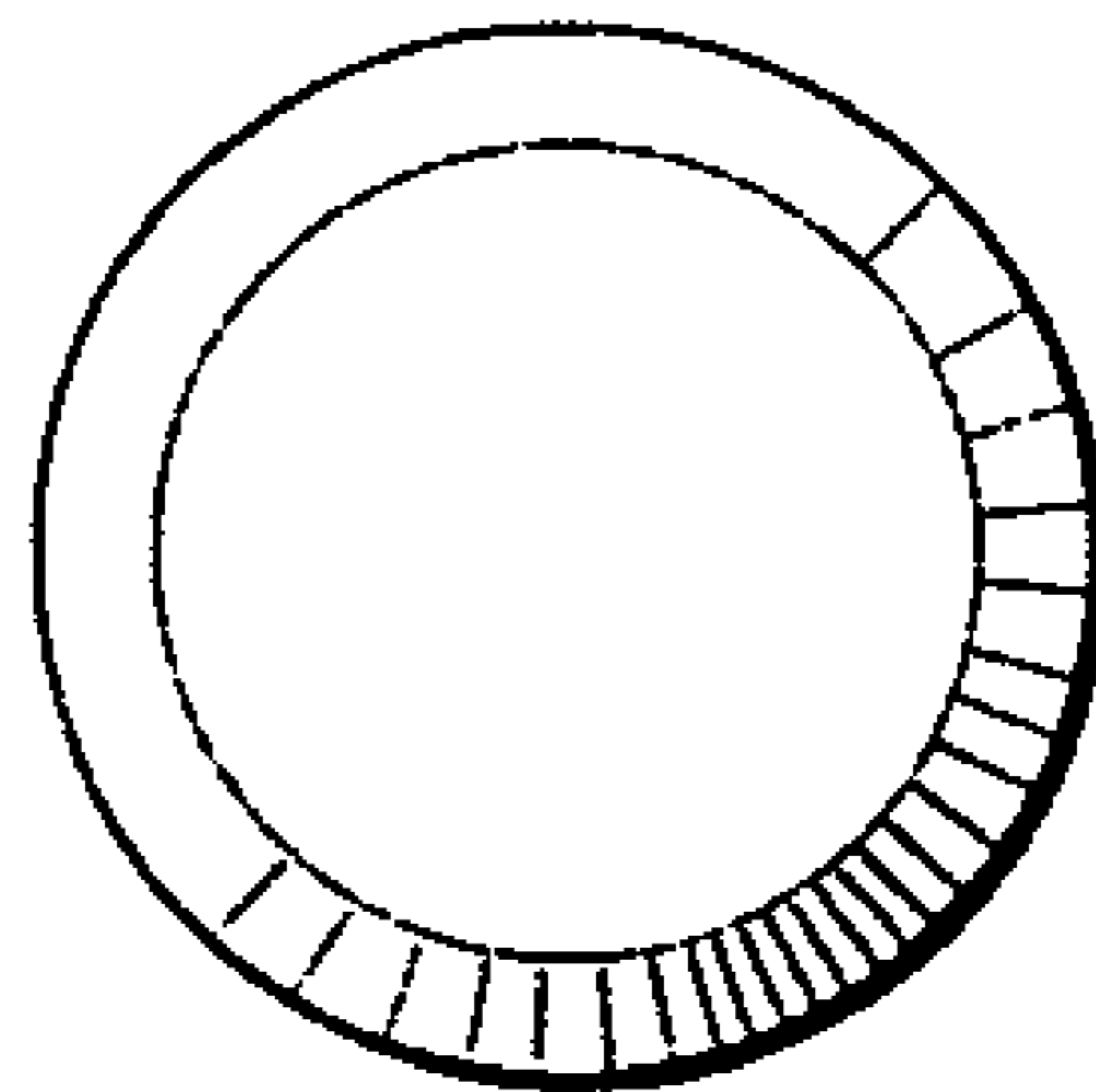


Fig. 4