



US00D629020S

(12) **United States Design Patent**
Hattori

(10) **Patent No.:** **US D629,020 S**
(45) **Date of Patent:** **** Dec. 14, 2010**

(54) **SEWING MACHINE**

D520,528 S * 5/2006 Kuroki et al. D15/69
D524,829 S * 7/2006 Muto D15/69

(75) Inventor: **Mitsuharu Hattori**, Nagoya (JP)

(73) Assignee: **Brother Industries, Ltd.**, Nagoya-shi (JP)

(**) Term: **14 Years**

(21) Appl. No.: **29/361,390**

(22) Filed: **May 11, 2010**

(51) **LOC (9) Cl.** **15-06**

(52) **U.S. Cl.** **D15/69**

(58) **Field of Classification Search** D15/66-78;
112/2, 63, 217.1-217.4, 255-261, 475.01;
D21/527

See application file for complete search history.

(56) **References Cited**

U.S. PATENT DOCUMENTS

D383,764 S *	9/1997	Ueyama	D15/70
D434,781 S *	12/2000	Kawaguchi	D15/69
D450,720 S *	11/2001	Kuroki	D15/69
D450,722 S *	11/2001	Kawaguchi	D15/69
D474,208 S *	5/2003	Kawaguchi	D15/69
D504,444 S *	4/2005	Kuroki	D15/69
D504,692 S *	5/2005	Kuroki	D15/69
D520,027 S *	5/2006	Kuroki	D15/69

OTHER PUBLICATIONS

U.S. Appl. No. 29/341,375, filed Aug. 4, 2009, Mitsuharu Hattori.

* cited by examiner

Primary Examiner—Shanda C Hill

(74) *Attorney, Agent, or Firm*—Oliff & Berridge, PLC

(57) **CLAIM**

The ornamental design for a sewing machine, as shown and described.

DESCRIPTION

FIG. 1 is a perspective view of a sewing machine;

FIG. 2 is a front view thereof;

FIG. 3 is a top view thereof;

FIG. 4 is a right-side view thereof;

FIG. 5 is a left-side view thereof;

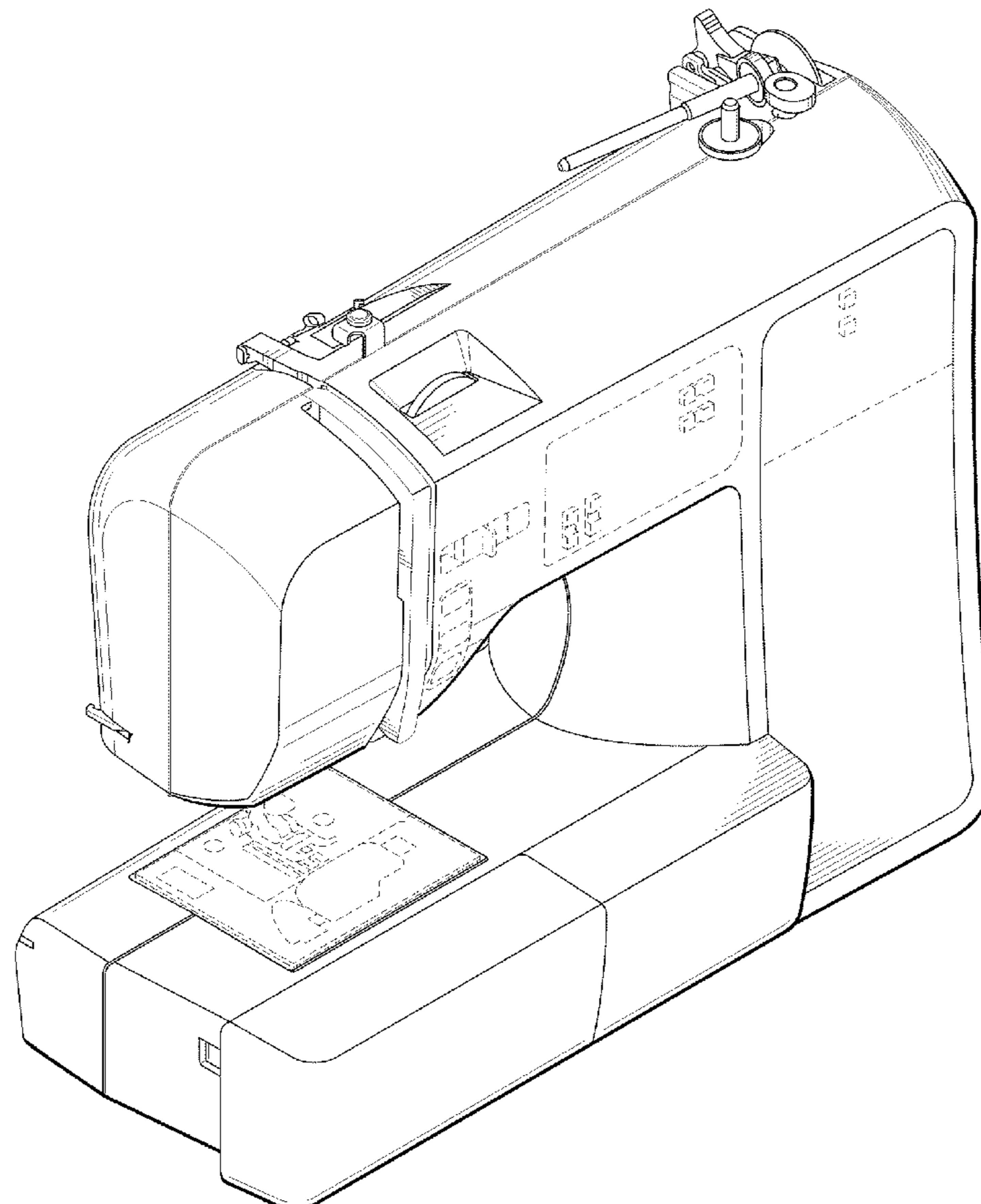
FIG. 6 is a rear view thereof;

FIG. 7 is a bottom view thereof; and,

FIG. 8 is another perspective view thereof.

The broken lines depict environmental subject matter only and form no part of the claimed design.

1 Claim, 7 Drawing Sheets



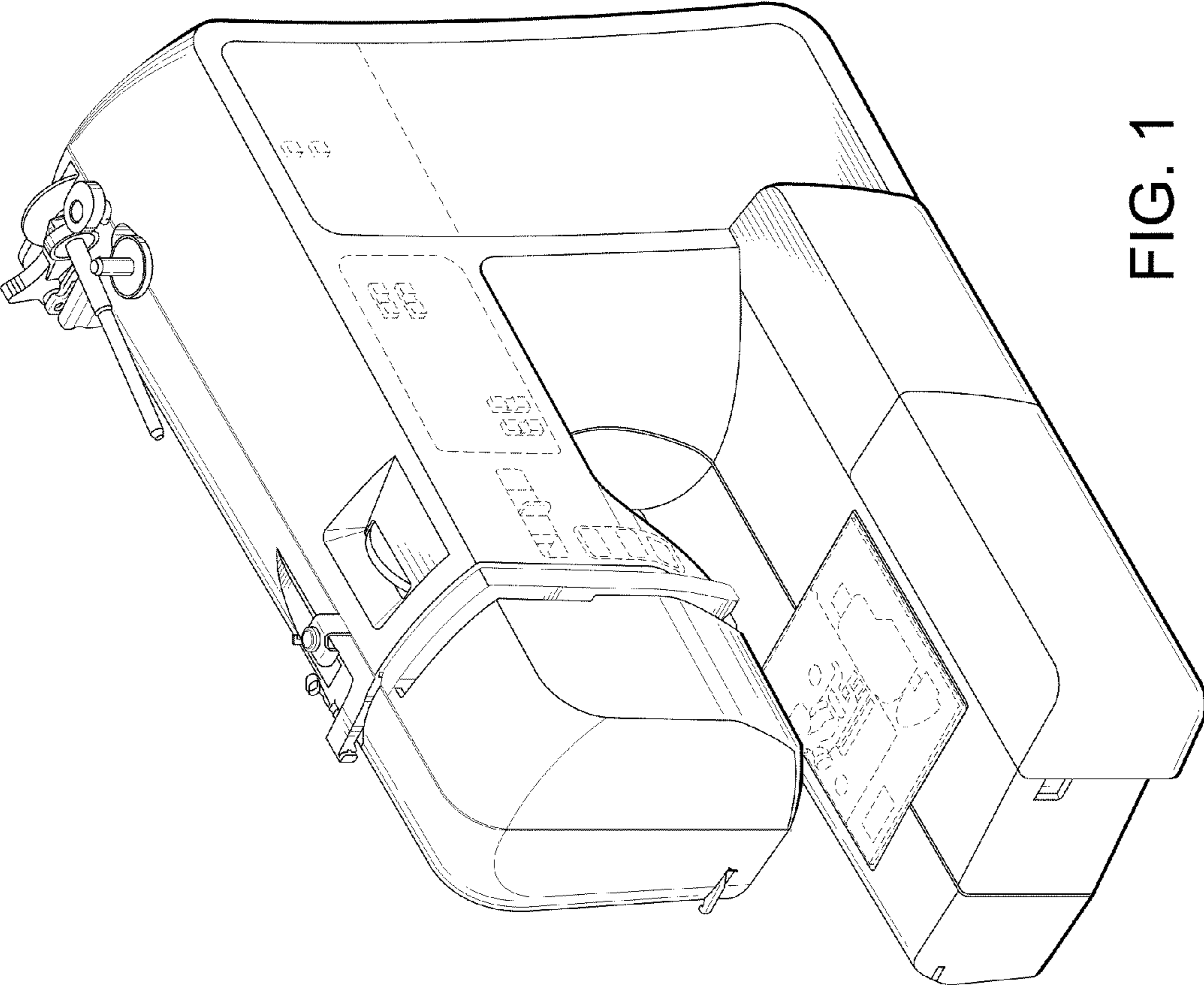


FIG. 1

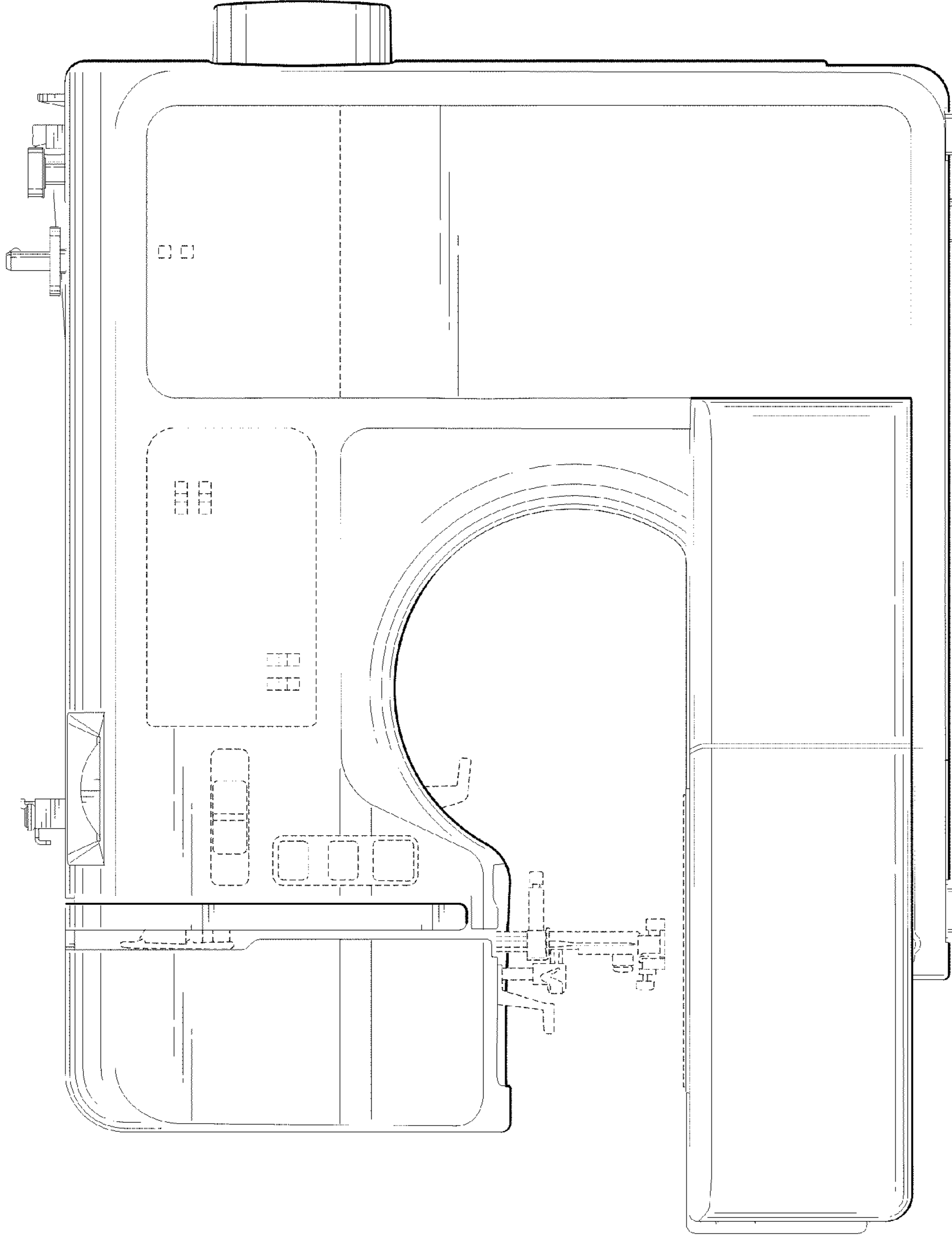


FIG. 2

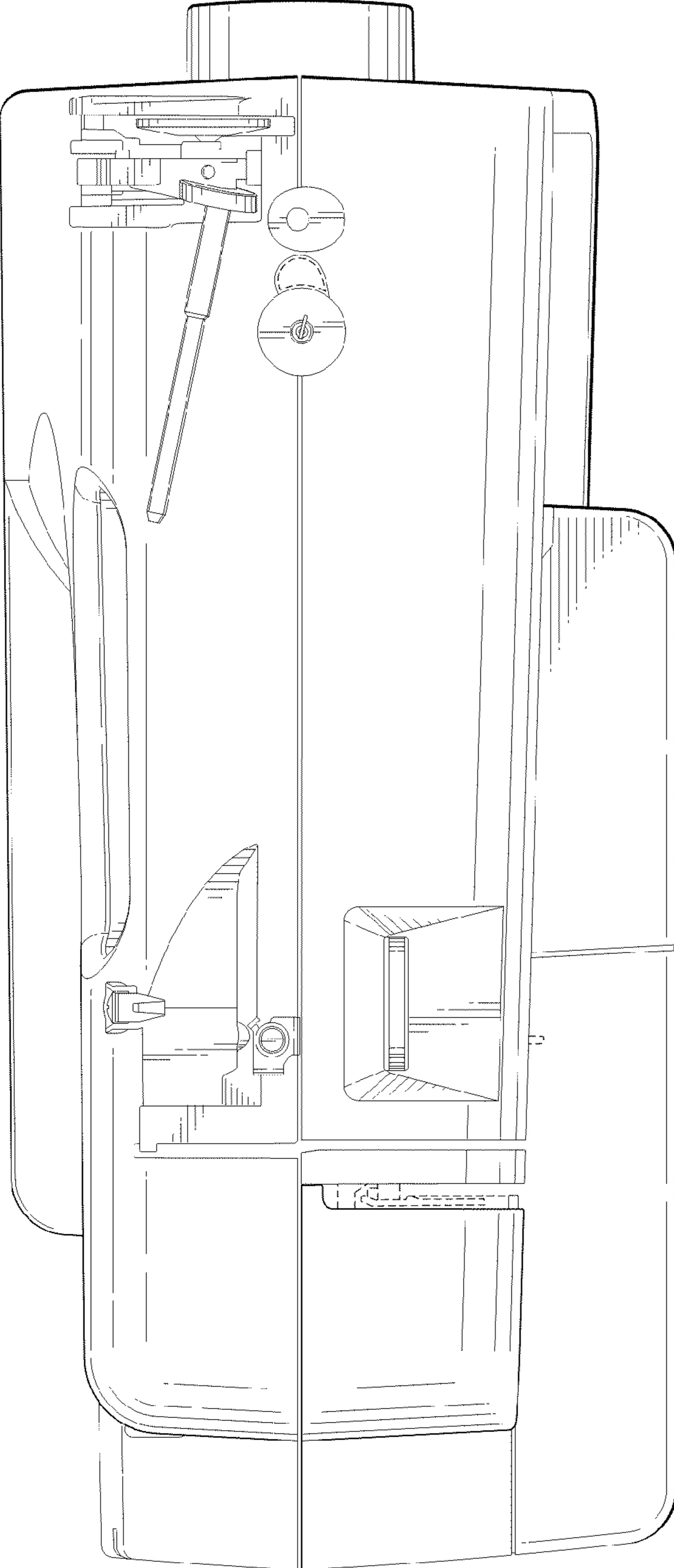


FIG. 3

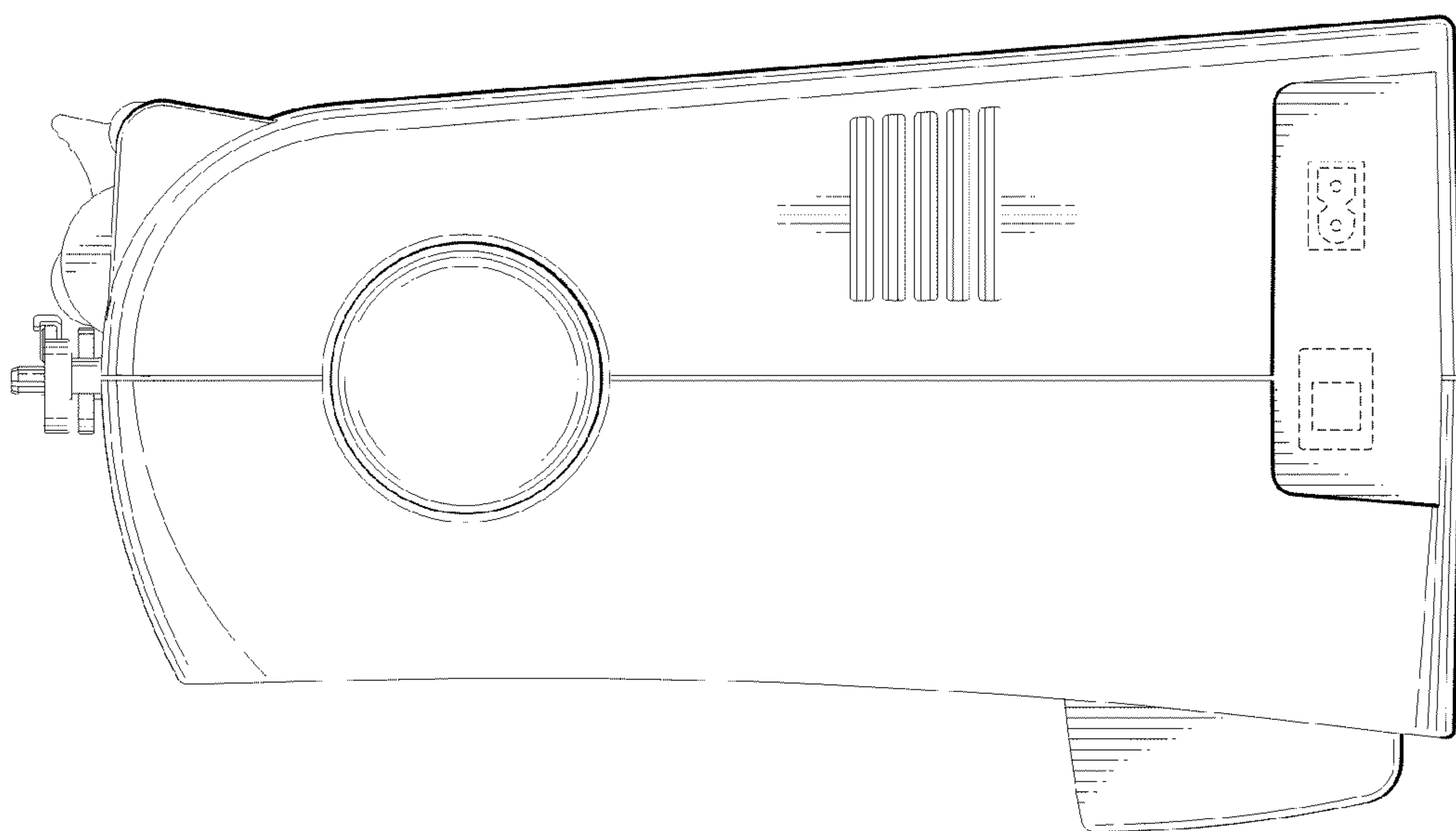


FIG. 4

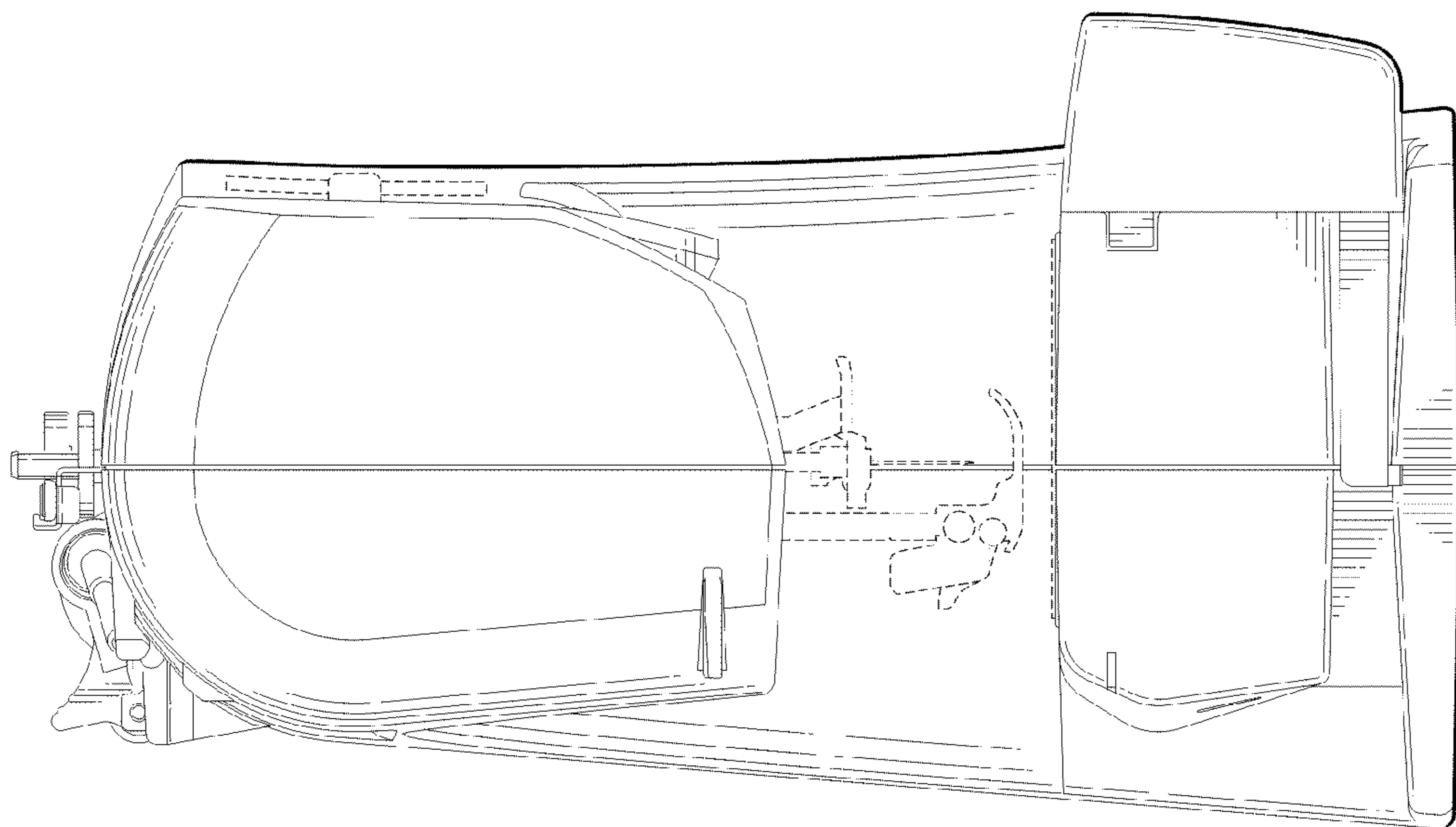


FIG. 5

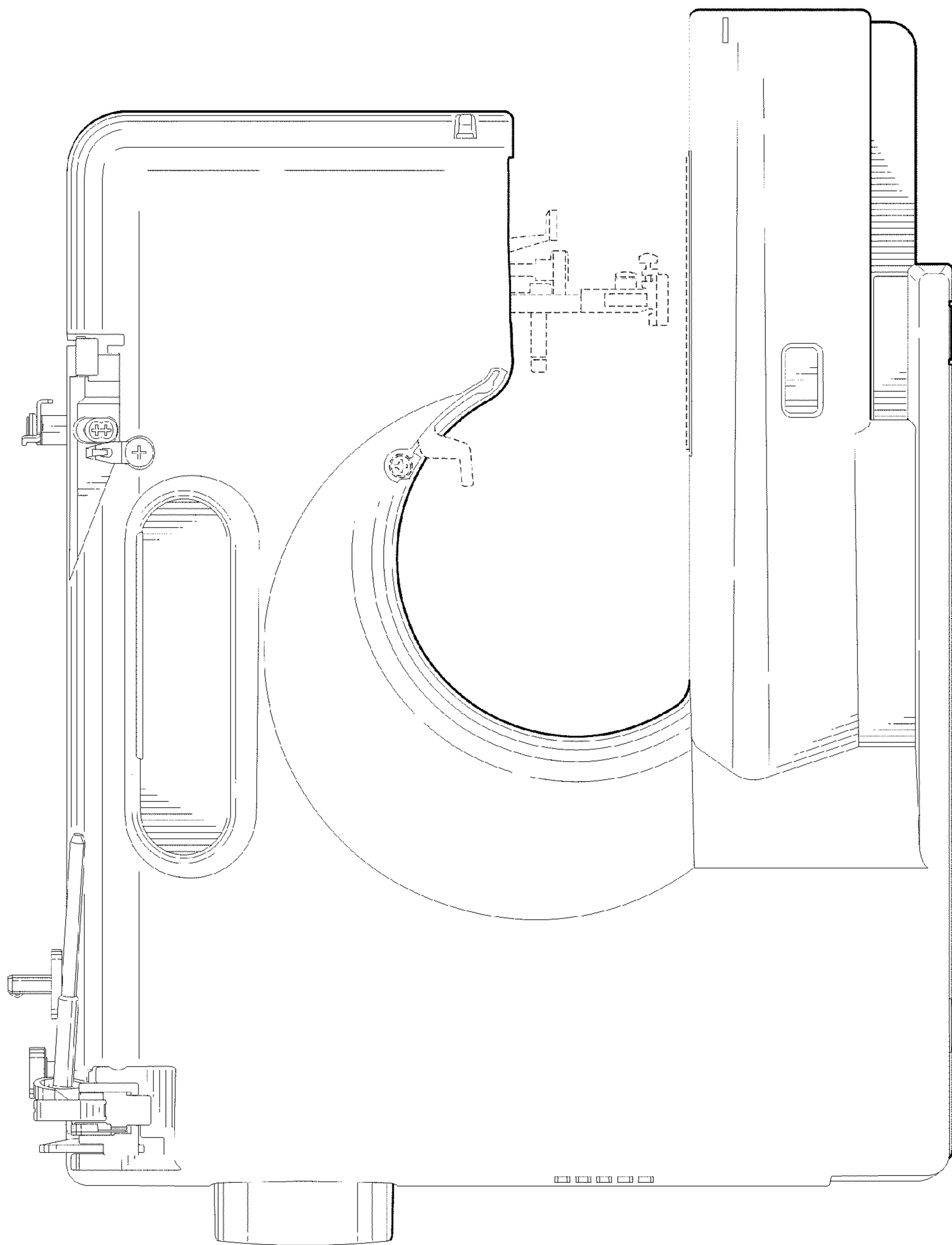


FIG. 6

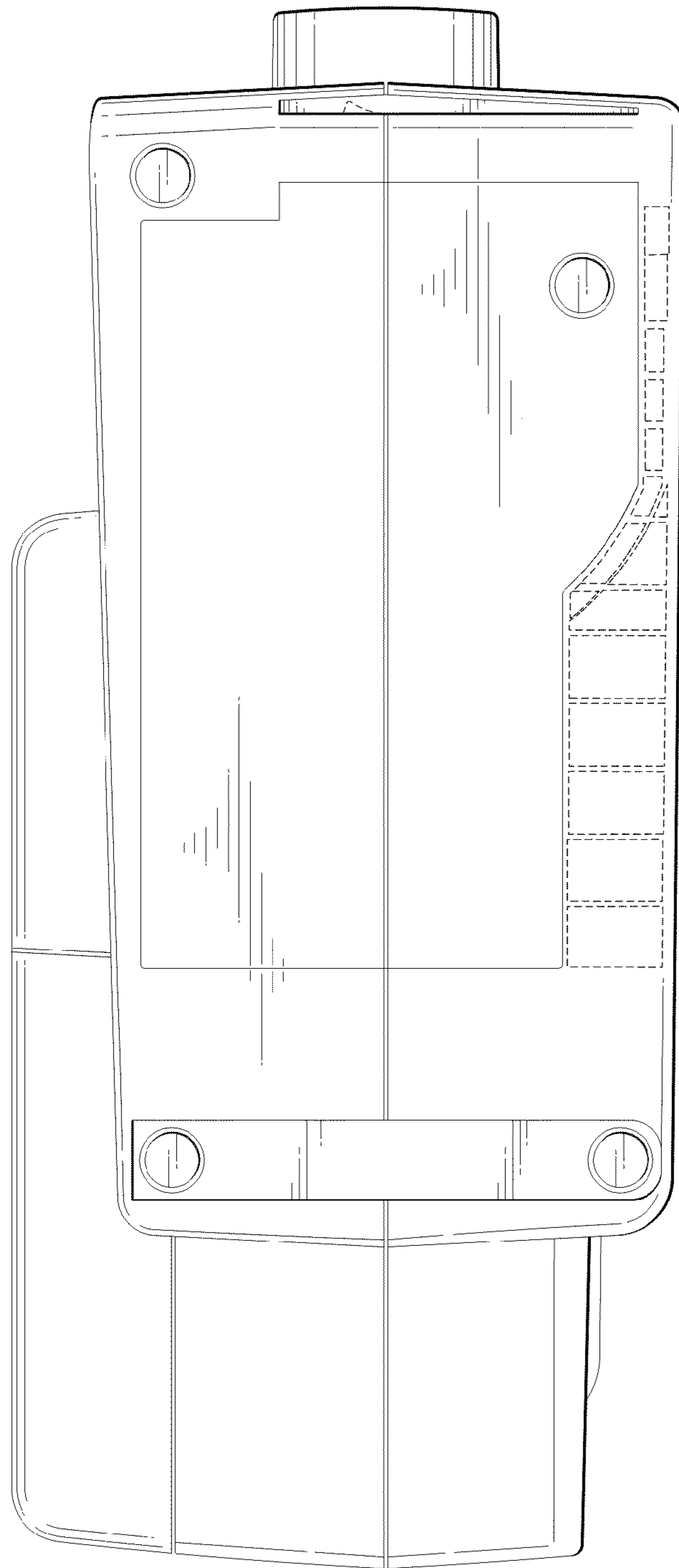


FIG. 7

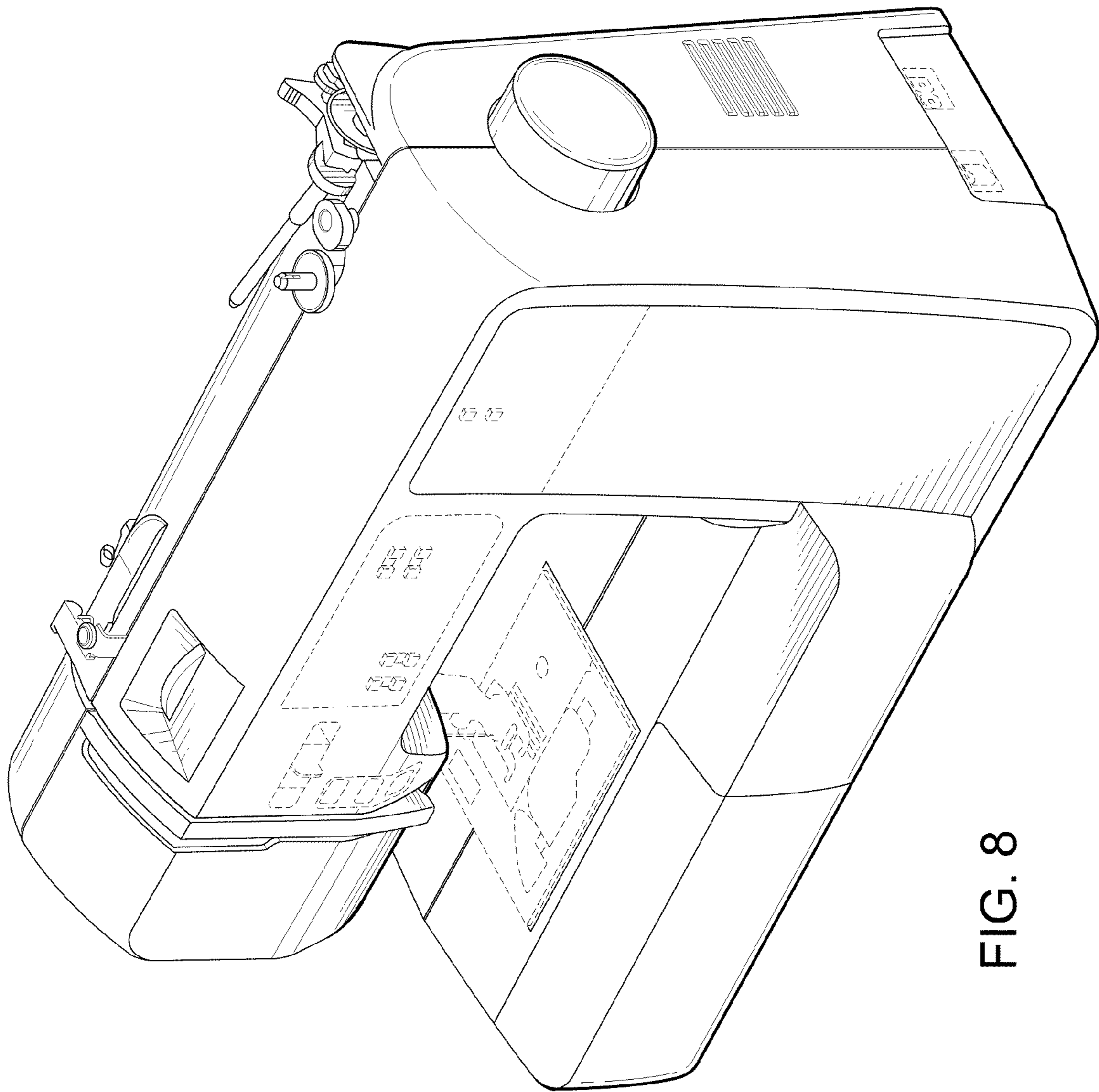


FIG. 8