



US00D629019S

(12) **United States Design Patent**  
**Major**

(10) **Patent No.:** **US D629,019 S**

(45) **Date of Patent:** **\*\* Dec. 14, 2010**

(54) **EXCAVATOR ARM**

(75) Inventor: **Gary Edmund Major**, Cheshire (GB)

(73) Assignee: **J.C. Bamford Excavators Limited**,  
Rocester, Utttoxeter (GB)

(\*\*) Term: **14 Years**

(21) Appl. No.: **29/357,800**

(22) Filed: **Mar. 17, 2010**

(30) **Foreign Application Priority Data**

Sep. 17, 2009 (EM) ..... 001612805.0002  
Feb. 23, 2010 (EM) ..... 001673385.0006

(51) **LOC (9) Cl.** ..... **15-03**

(52) **U.S. Cl.** ..... **D15/32; D15/28**

(58) **Field of Classification Search** ..... D15/10,  
D15/22-26, 28, 29, 32; 414/686, 694, 722,  
414/718, 815, 723, 685; 37/341, 407

See application file for complete search history.

(56) **References Cited**

**U.S. PATENT DOCUMENTS**

3,283,928 A \* 11/1966 De Bosredon ..... 414/694  
3,313,431 A \* 4/1967 Kelly ..... 414/694  
4,029,225 A \* 6/1977 Wirt ..... 414/694  
4,264,264 A \* 4/1981 McMillan et al. .... 414/686  
4,576,543 A \* 3/1986 Kuchyt et al. .... 414/722  
4,798,511 A \* 1/1989 Kaczmarczyk et al. .... 414/686  
5,054,990 A \* 10/1991 Schaeff ..... 414/694  
5,261,780 A \* 11/1993 Perry ..... 414/723  
5,531,561 A \* 7/1996 Rae et al. .... 414/686  
5,606,809 A \* 3/1997 Allen ..... 37/443

5,885,050 A \* 3/1999 Kim ..... 414/713  
D451,105 S \* 11/2001 Masumoto et al. .... D15/28  
D584,749 S \* 1/2009 Smith et al. .... D15/28  
7,549,242 B2 \* 6/2009 Schmeling et al. .... 37/443  
D595,746 S \* 7/2009 Iida et al. .... D15/32  
D610,172 S \* 2/2010 Yukino et al. .... D15/32  
2004/0000077 A1 \* 1/2004 Fatemi ..... 37/468  
2006/0107557 A1 \* 5/2006 Fatemi ..... 37/466  
2006/0254096 A1 \* 11/2006 Poire ..... 37/468  
2007/0031233 A1 \* 2/2007 Frey ..... 414/685  
2008/0063502 A1 \* 3/2008 Nilsson ..... 414/685

\* cited by examiner

*Primary Examiner*—Mark A Goodwin

(74) *Attorney, Agent, or Firm*—Goodman, Allen & Filetti  
PLLC

(57) **CLAIM**

The ornamental design for excavator arm, as shown and described.

**DESCRIPTION**

FIG. 1 is a left rear perspective view of an excavator arm embodying my design.

FIG. 2 is a front view thereof.

FIG. 3 is a right front prespective view thereof.

FIG. 4 is a right side elevational view thereof.

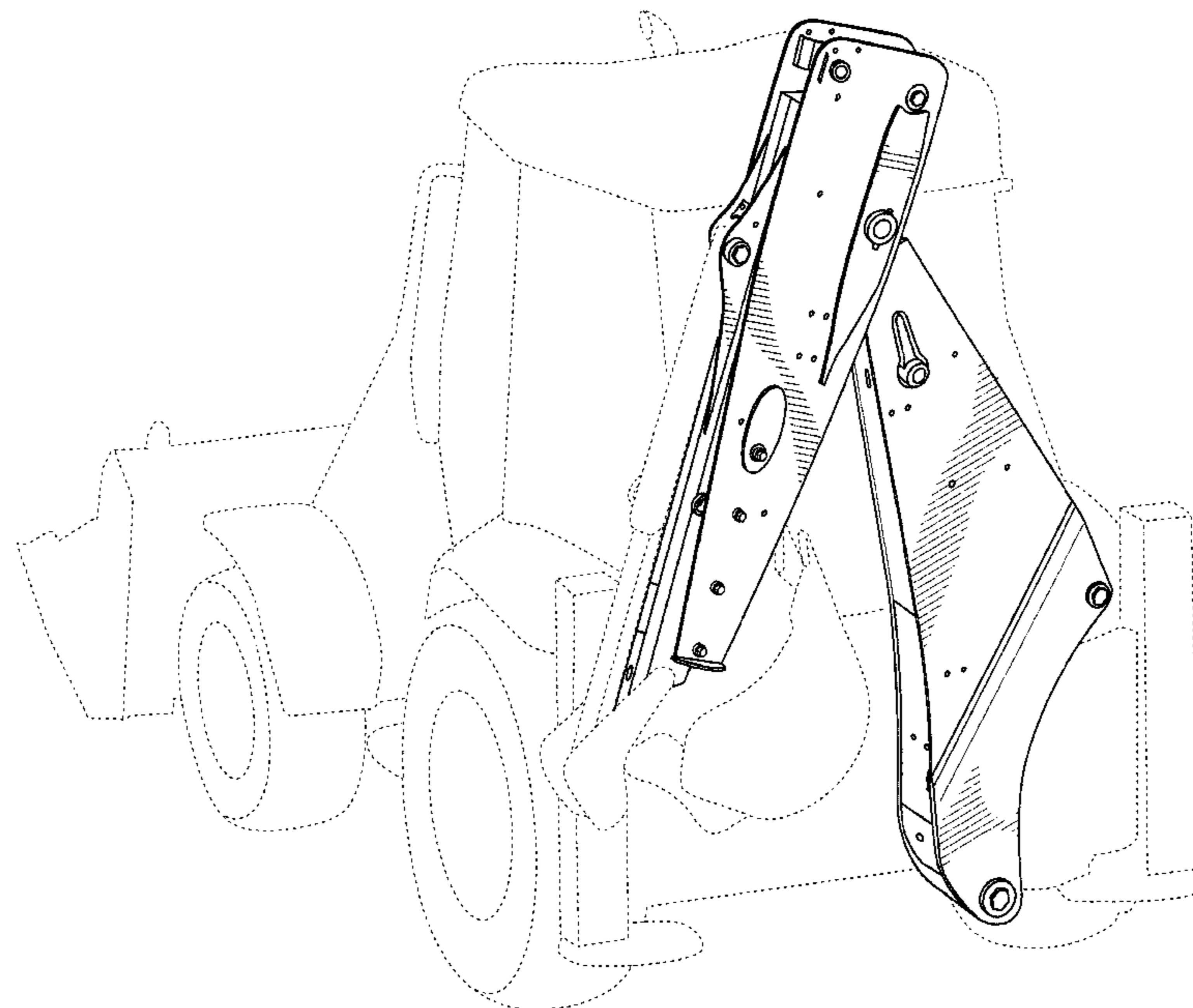
FIG. 5 is an enlarged rear view thereof.

FIG. 6 is a left side elevational view thereof; and,

FIG. 7 is a left front prespective view thereof.

The broken line showing the machine and actuators in the drawings forms no part of the claimed design.

**1 Claim, 7 Drawing Sheets**



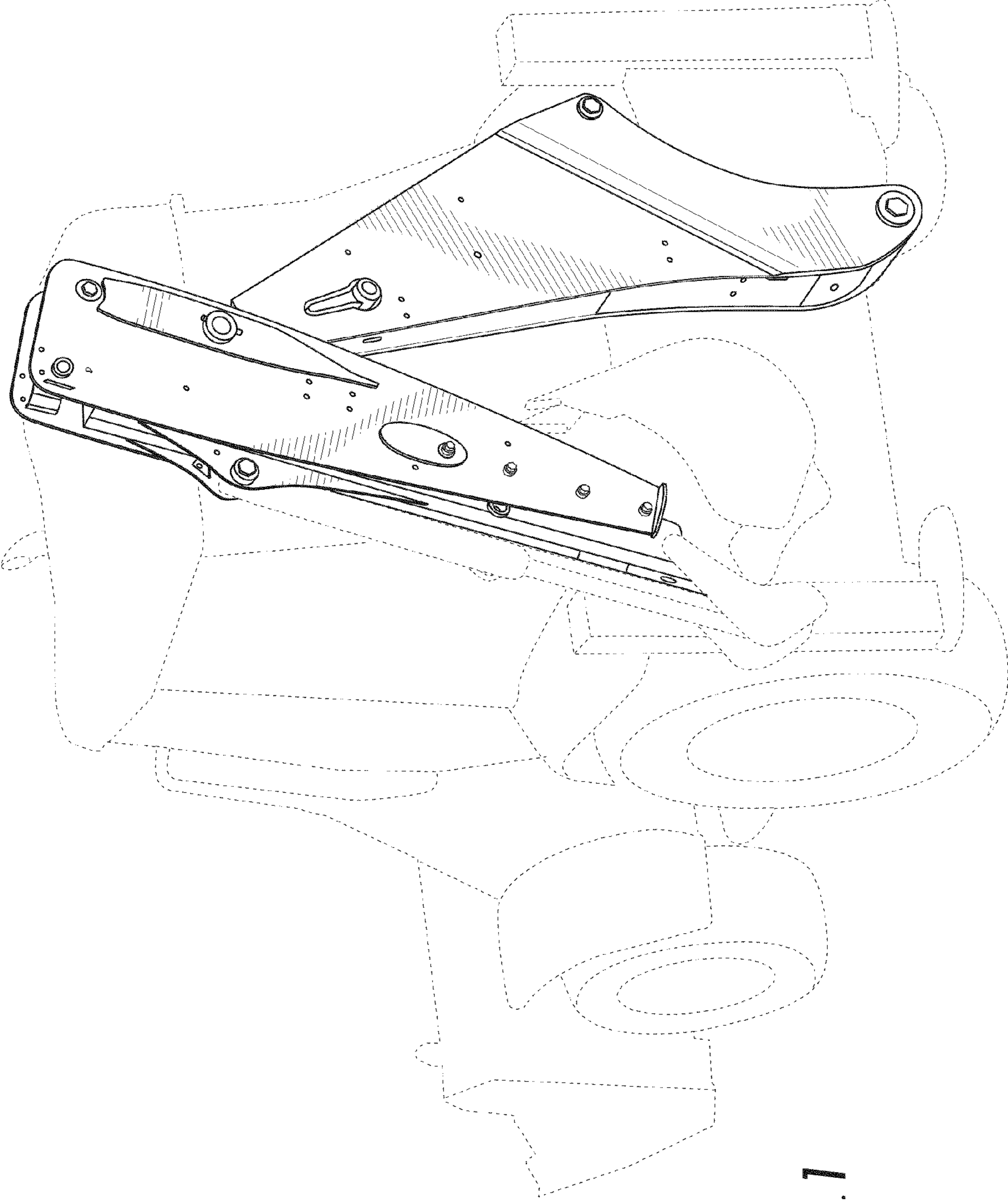
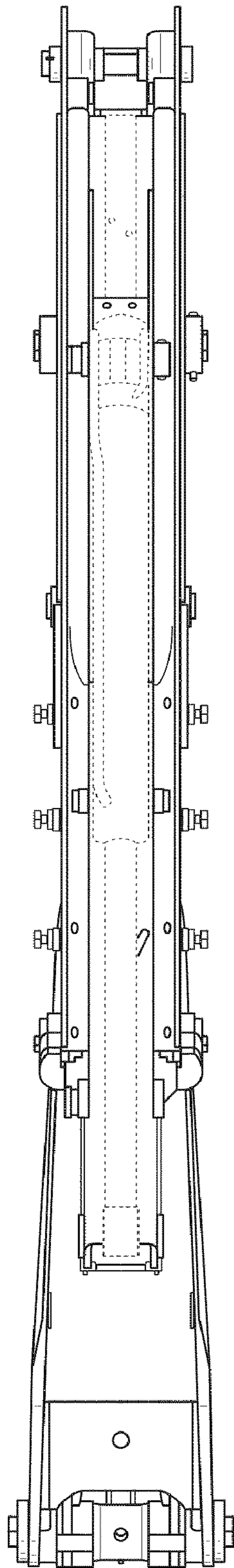


FIG. 7



**FIG. 2**

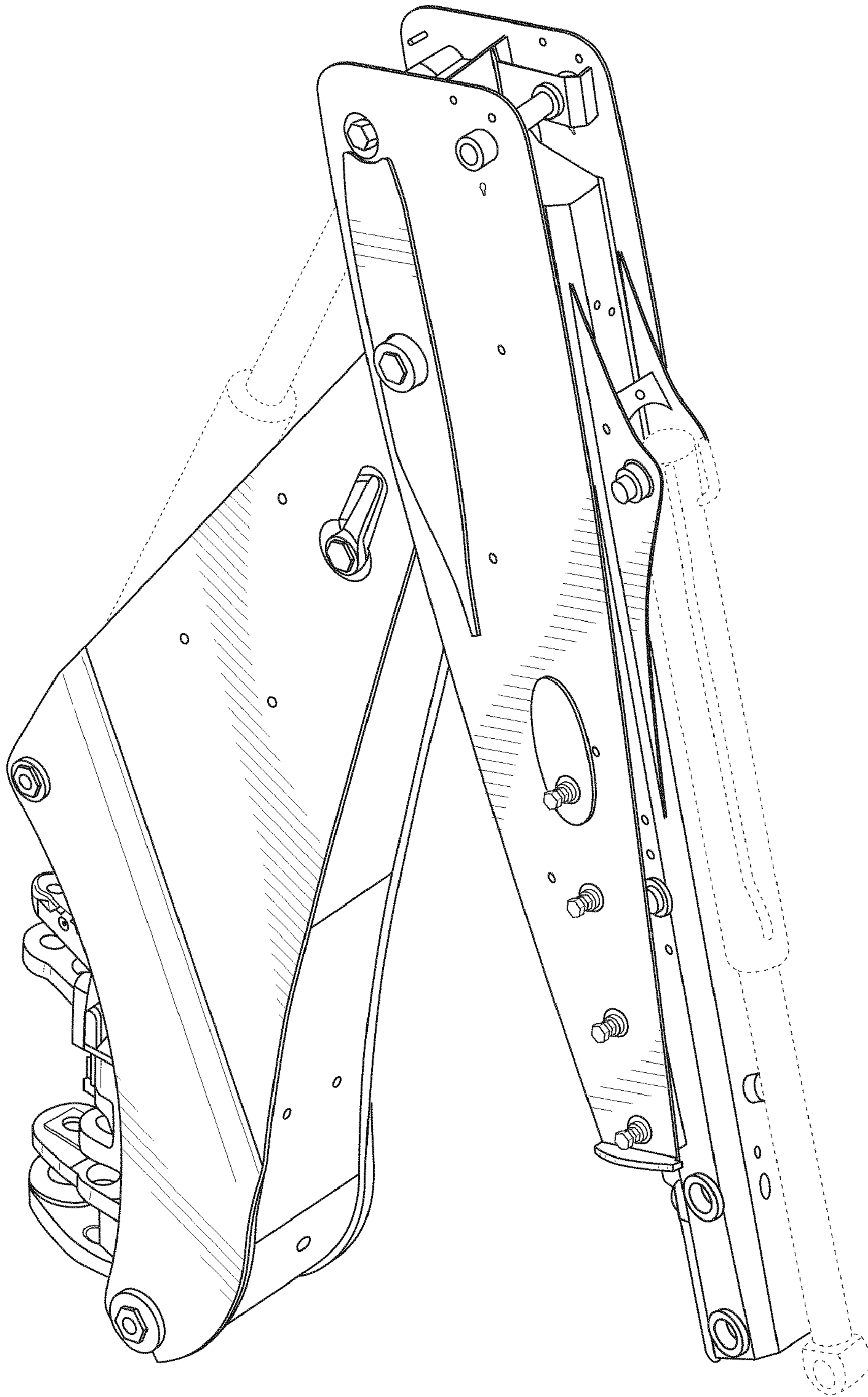


FIG. 3

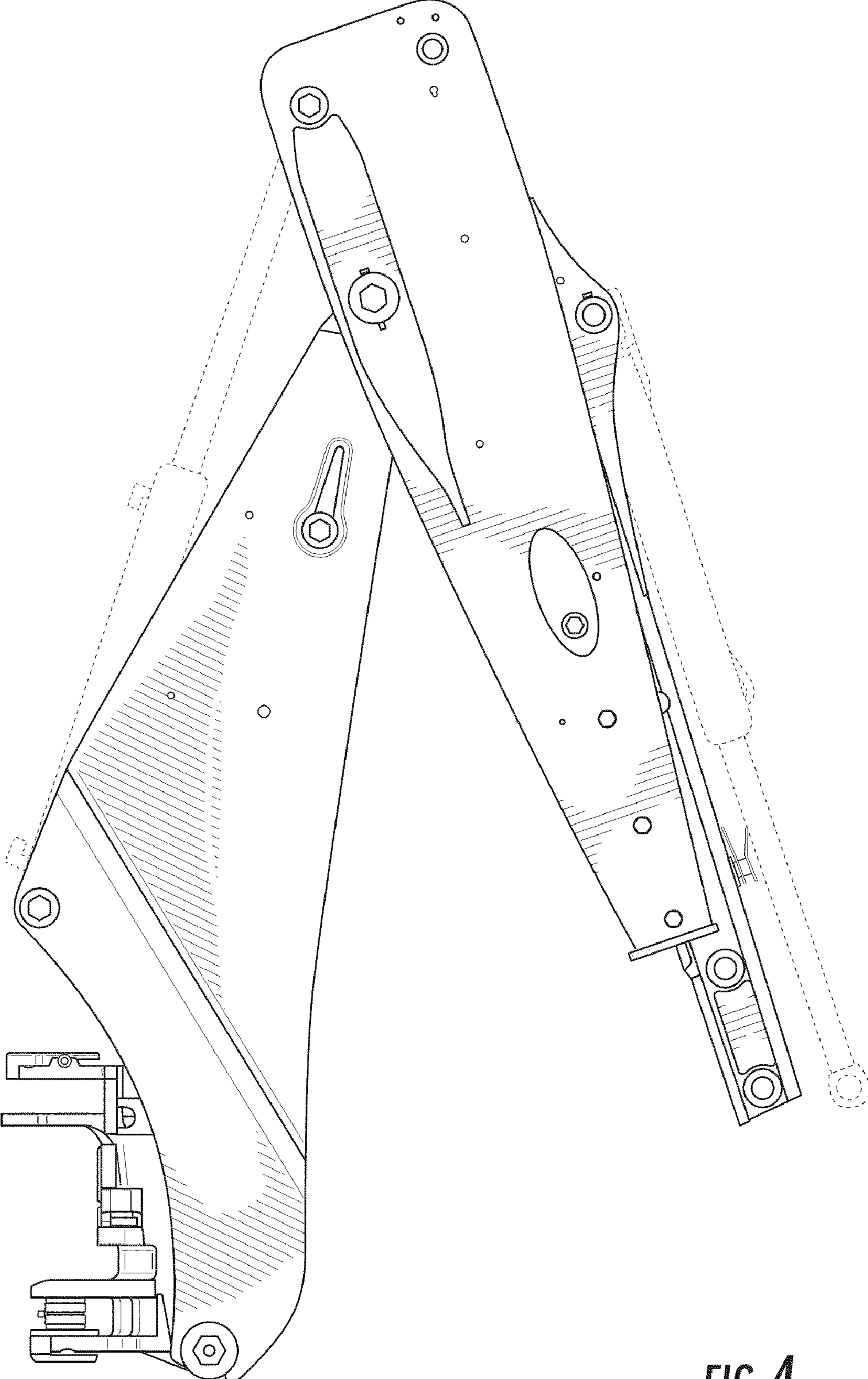
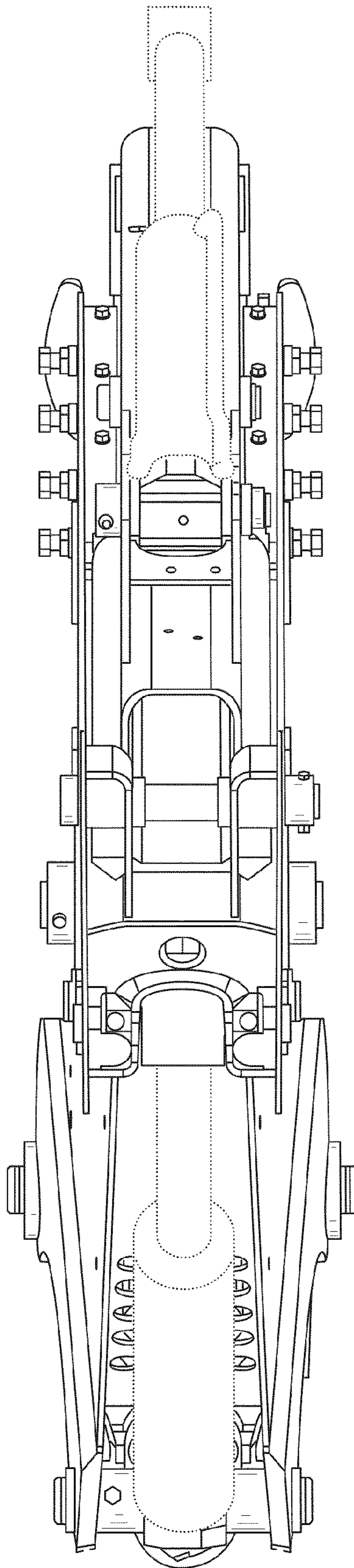


FIG. 4



*FIG. 5*

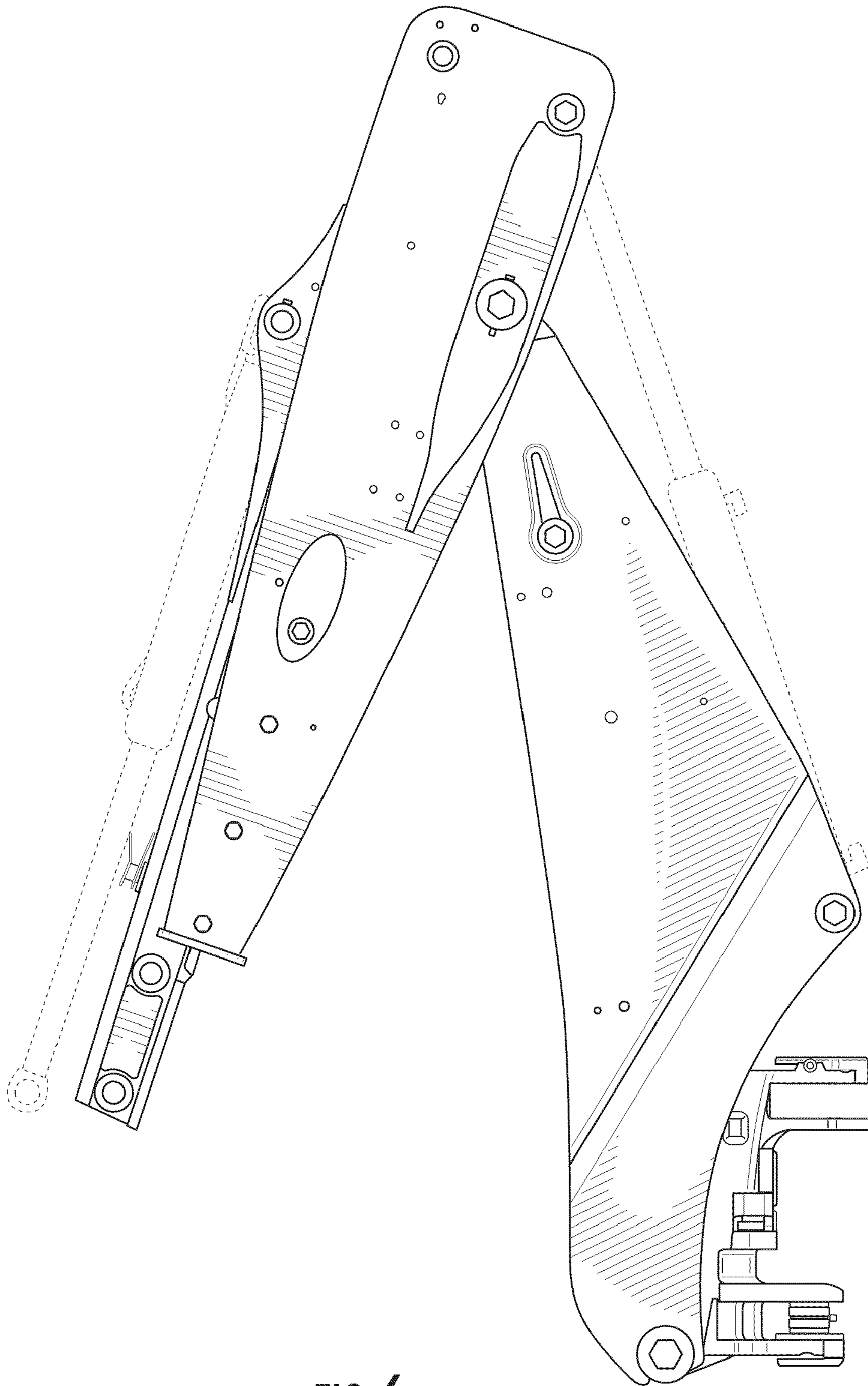


FIG. 6

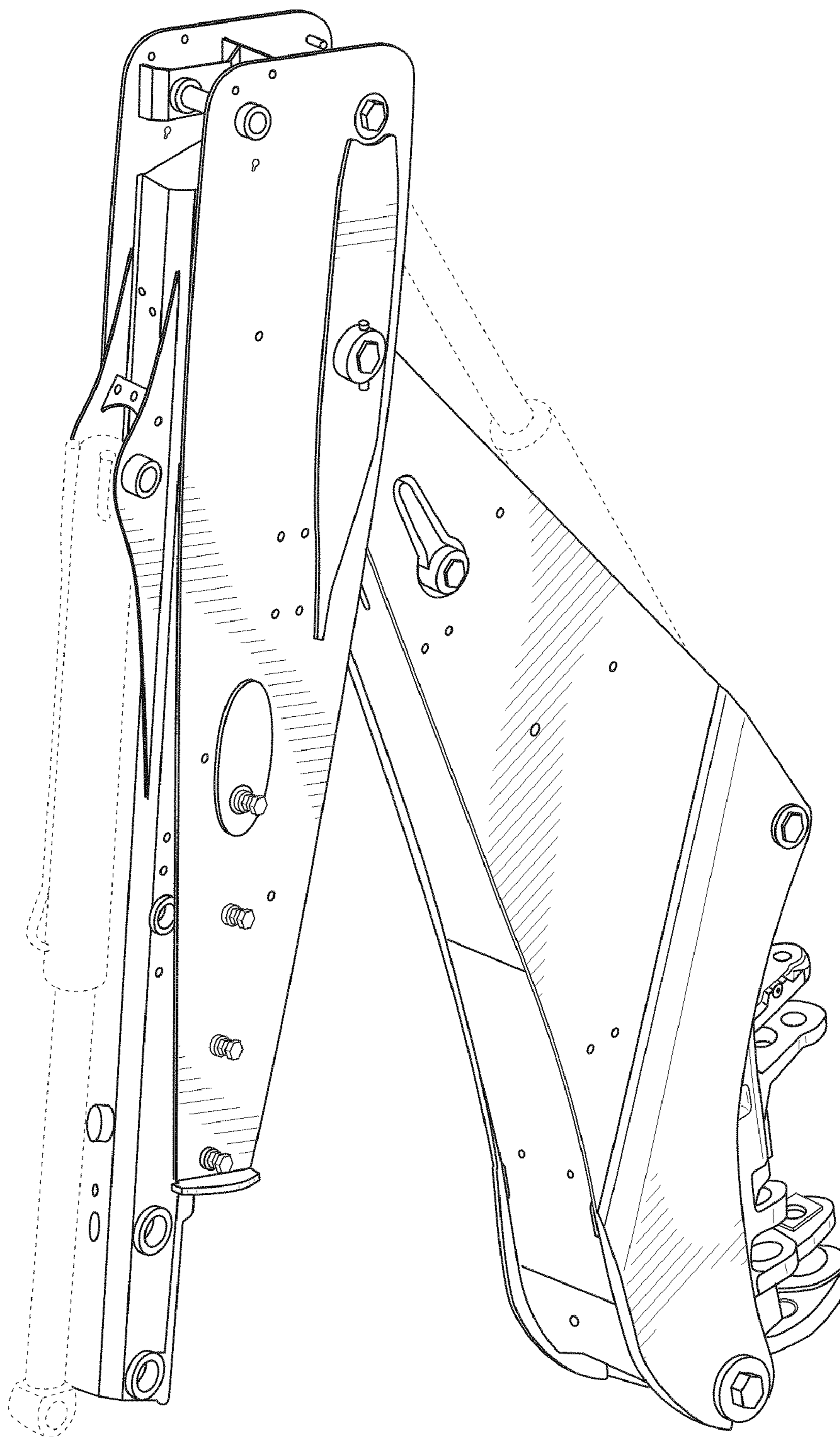


FIG. 7