



US00D629018S

(12) **United States Design Patent**
Loxton

(10) **Patent No.:** **US D629,018 S**

(45) **Date of Patent:** **** Dec. 14, 2010**

(54) **AGRICULTURAL PLANTER**

(75) Inventor: **Hugh Robert Loxton**, Somerset (GB)

(73) Assignee: **W.H. Loxton Ltd.**, Durston Taunton Somerset (GB)

(**) Term: **14 Years**

(21) Appl. No.: **29/370,111**

(22) Filed: **Jun. 8, 2010**

(51) **LOC (9) Cl.** **15-03**

(52) **U.S. Cl.** **D15/27**

(58) **Field of Classification Search** D15/10,
D15/27, 12, 13, 21; 239/668, 656, 655, 675,
239/676, 654, 662, 672, 673; 366/177, 186,
366/20, 168, 181; 222/145, 135; 172/311,
172/776

See application file for complete search history.

(56) **References Cited**

U.S. PATENT DOCUMENTS

D194,188	S	*	12/1962	Tyler	D15/13
D198,327	S	*	6/1964	Tyler	D15/13
D221,240	S	*	7/1971	Tyler	D15/13
3,809,316	A	*	5/1974	Dreyer	239/167
3,860,146	A	*	1/1975	Bauman et al.	221/211
4,011,914	A	*	3/1977	Elmer	172/126
4,296,695	A	*	10/1981	Quanbeck	111/186
4,635,847	A	*	1/1987	Jackson	239/1
5,242,120	A	*	9/1993	Barber et al.	239/656
D366,266	S	*	1/1996	Blair et al.	D15/27
5,535,688	A	*	7/1996	Kaufman	111/52
5,601,362	A	*	2/1997	Schuler	366/309
D381,666	S	*	7/1997	Del Zotto	D15/27

5,740,746	A	*	4/1998	Ledermann et al.	111/174
D450,063	S	*	11/2001	Bentley	D15/13
D469,782	S	*	2/2003	Paluch et al.	D15/10
D469,784	S	*	2/2003	Bentley	D15/13
D480,094	S	*	9/2003	Fisher et al.	D15/27
2001/0019087	A1	*	9/2001	Andersonn et al.	239/650
2003/0110997	A1	*	6/2003	Meyer et al.	111/57
2006/0180062	A1	*	8/2006	Furrer et al.	111/171
2008/0276848	A1	*	11/2008	Schilling	111/149
2010/0024699	A1	*	2/2010	Schaffert	111/150
2010/0101467	A1	*	4/2010	Johnson	111/174

* cited by examiner

Primary Examiner—Mark A Goodwin

(74) *Attorney, Agent, or Firm*—Charles E. Baxley

(57) **CLAIM**

The ornamental design for an agricultural planter, as shown and described.

DESCRIPTION

FIG. 1 is a downward frontal rightward perspective view of an agricultural planter according to my new design;

FIG. 2 is a rearward upward rightward view thereof;

FIG. 3 is a left elevational view thereof,

FIG. 4 is a right elevational view thereof;

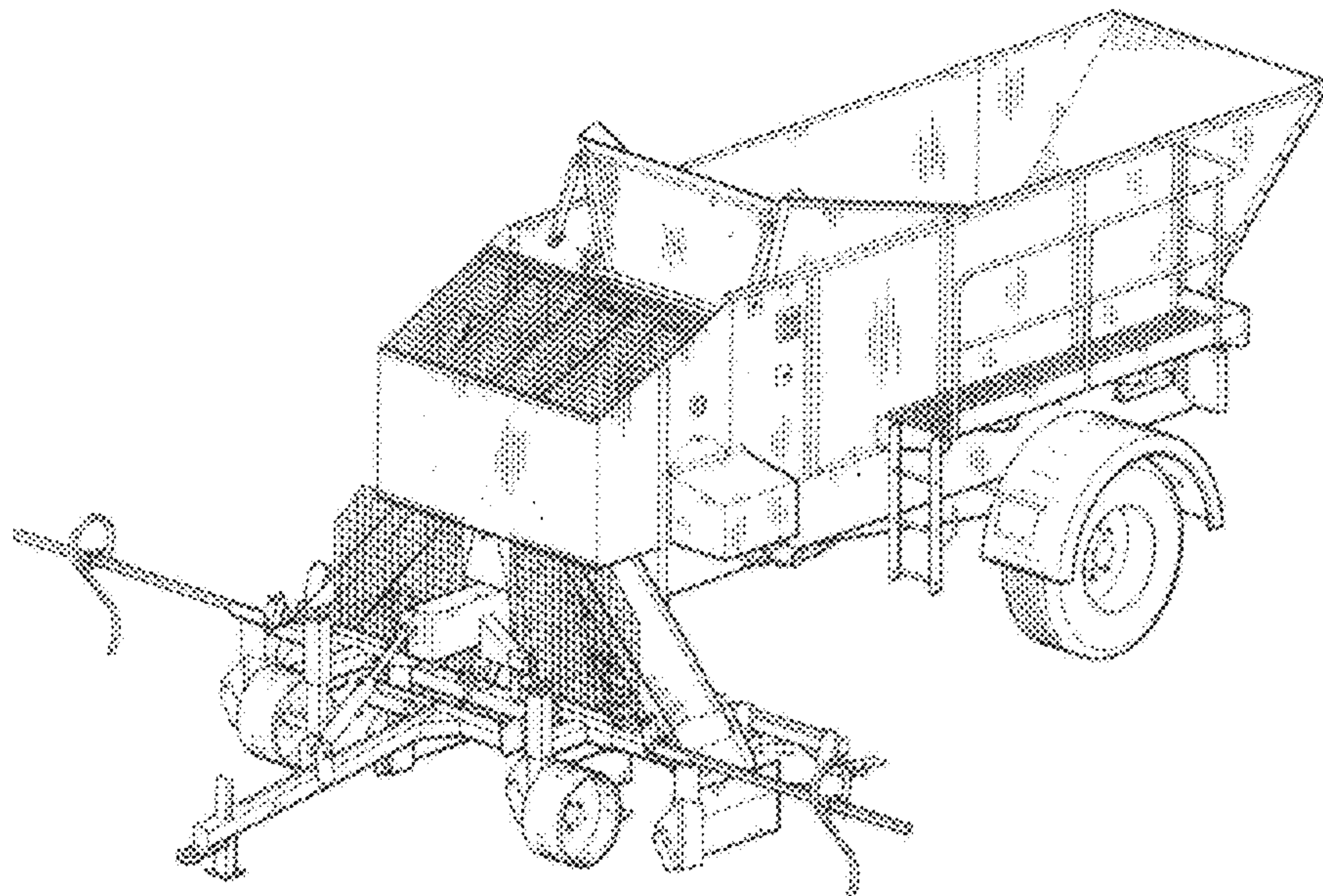
FIG. 5 is a front elevational view thereof;

FIG. 6 is a rear elevational view thereof; and,

FIG. 7 is a top plan view thereof.

The bottom of the agricultural planter has no distinguishing features and forms no part of the claimed design.

1 Claim, 7 Drawing Sheets



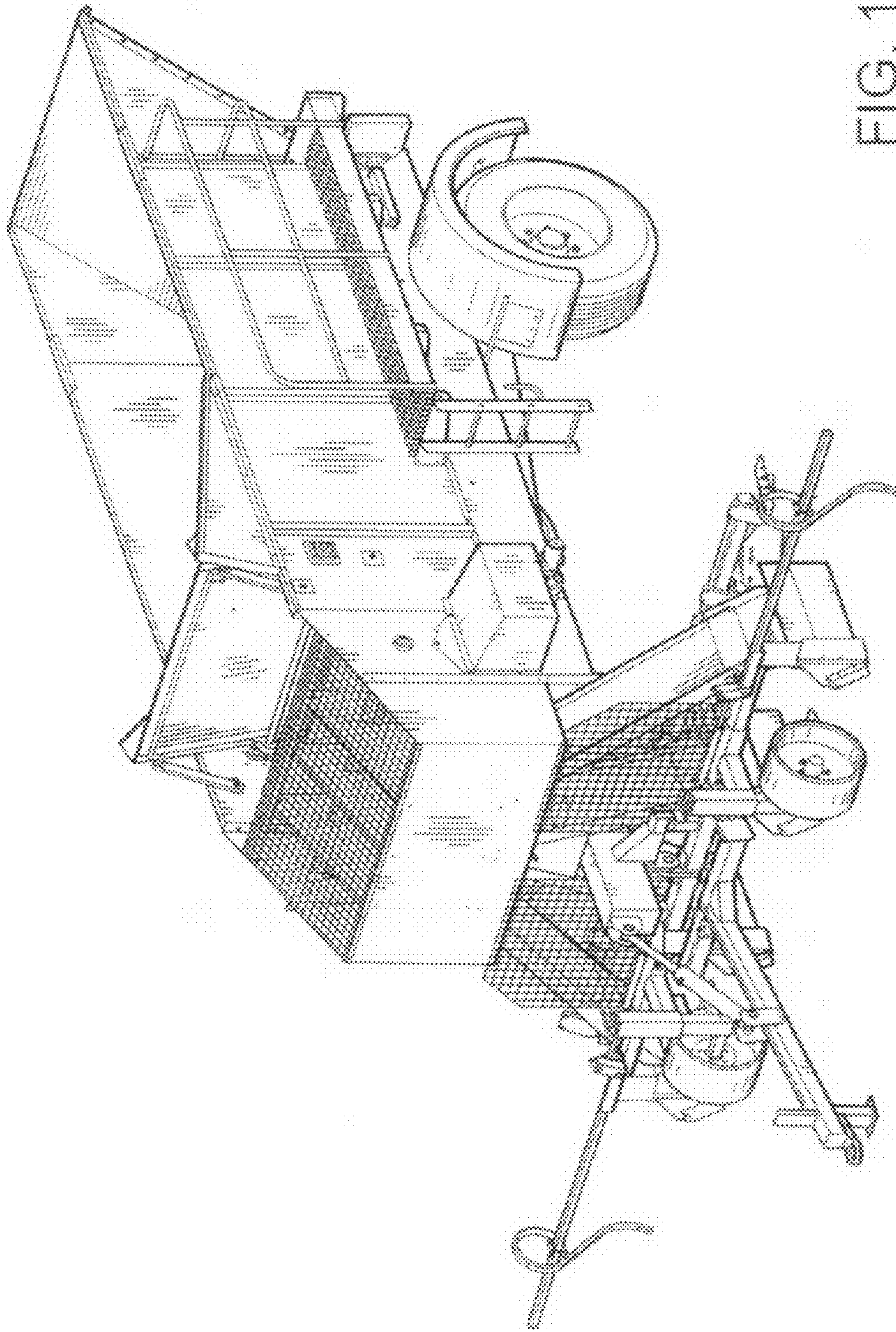


FIG. 1

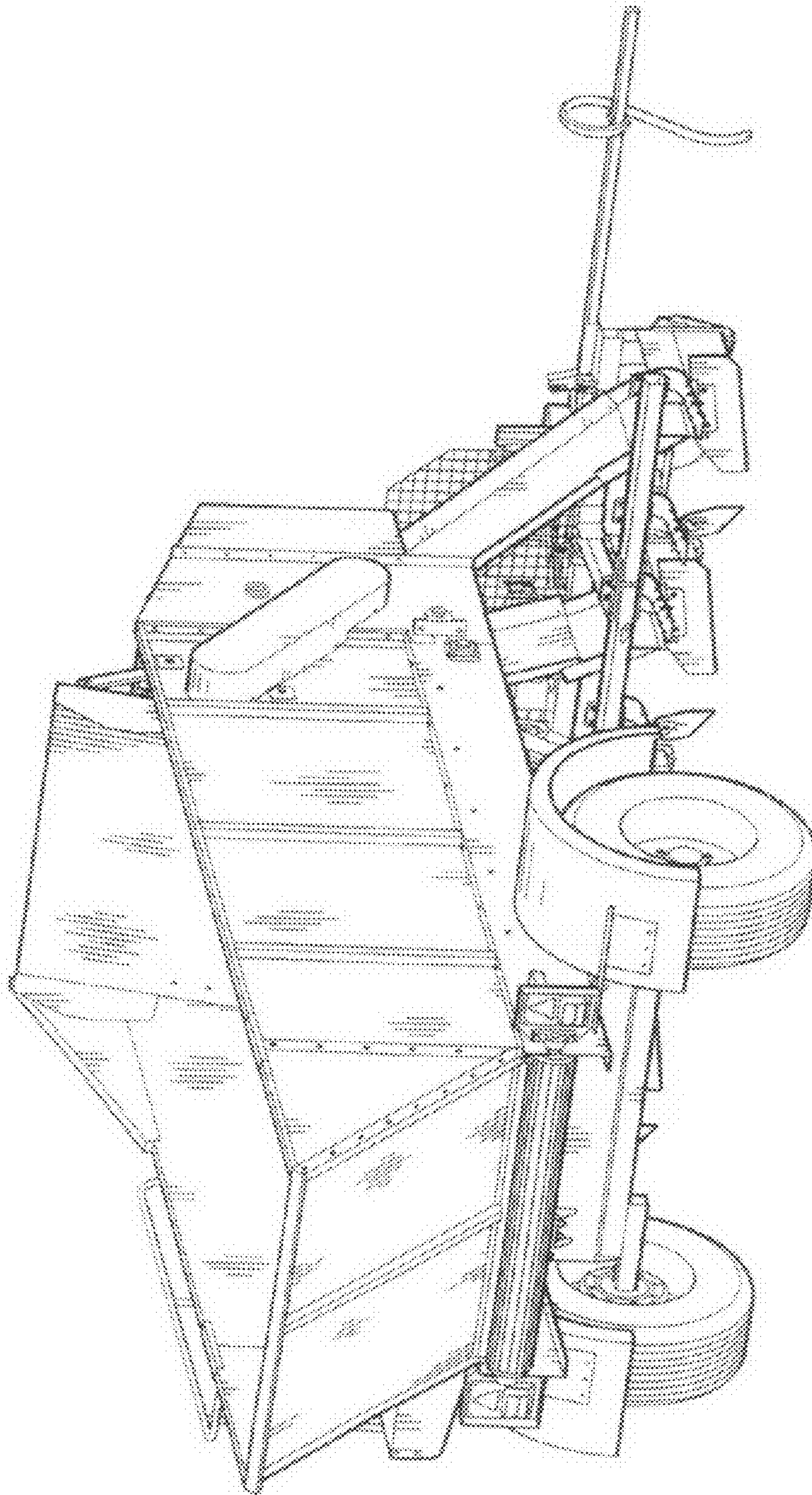


FIG. 2

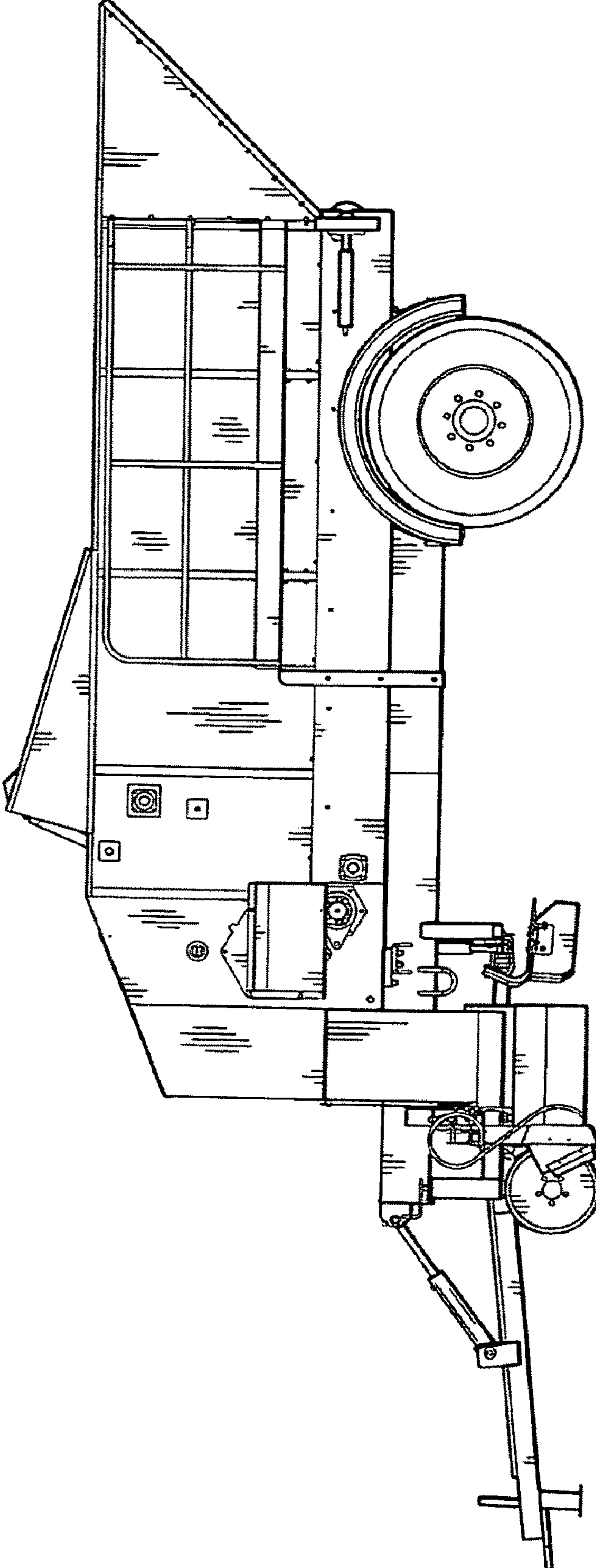


FIG. 3

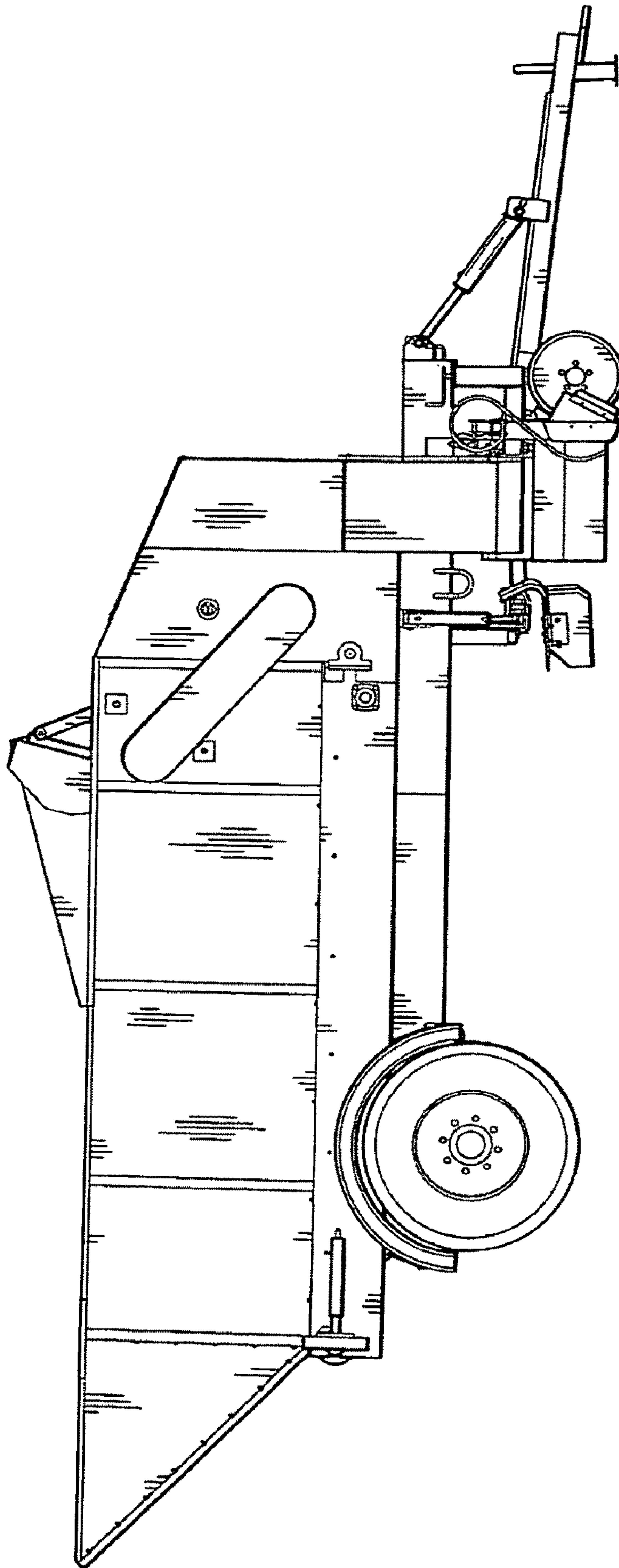


FIG. 4

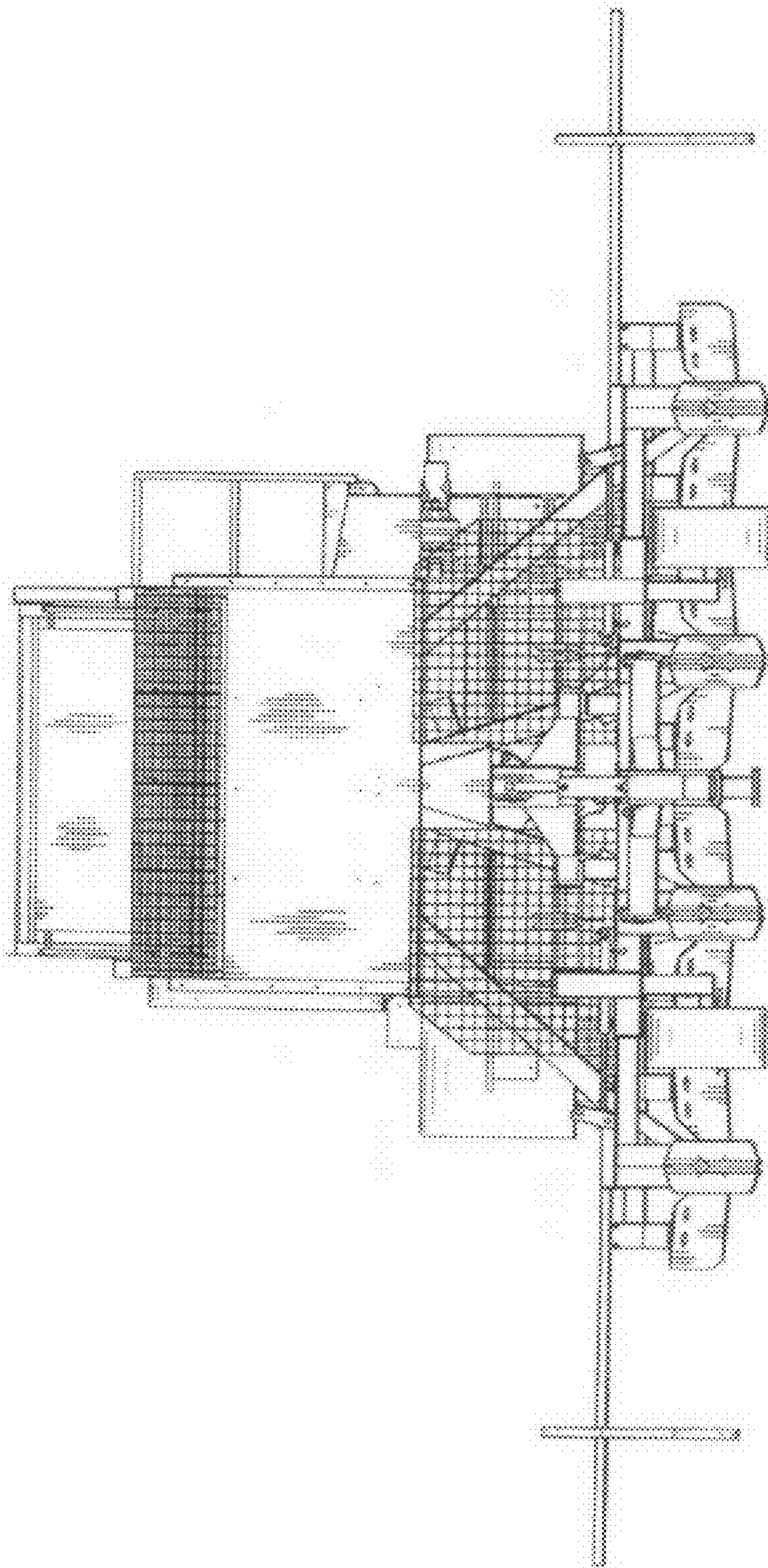


FIG. 5

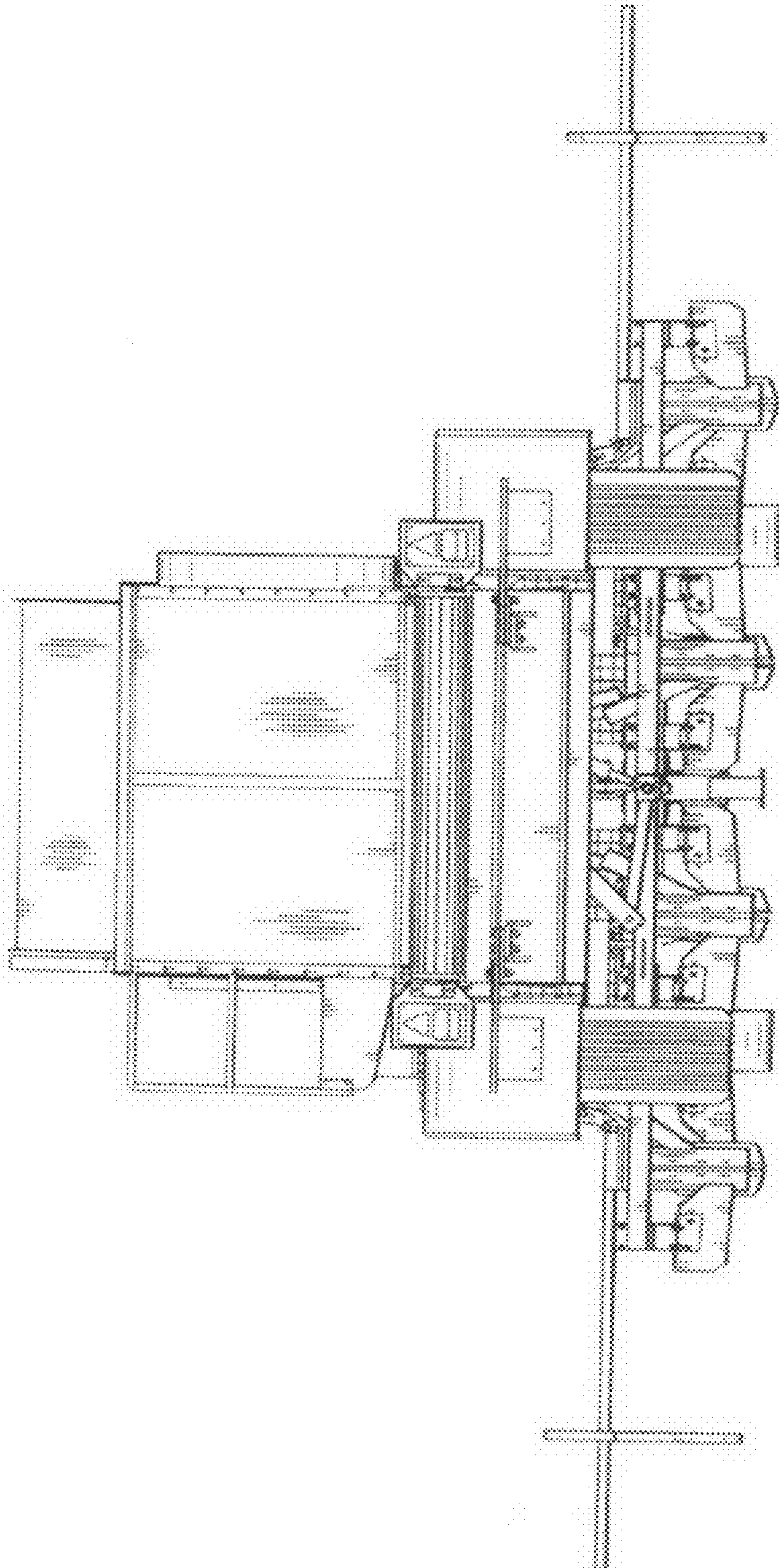


FIG. 6

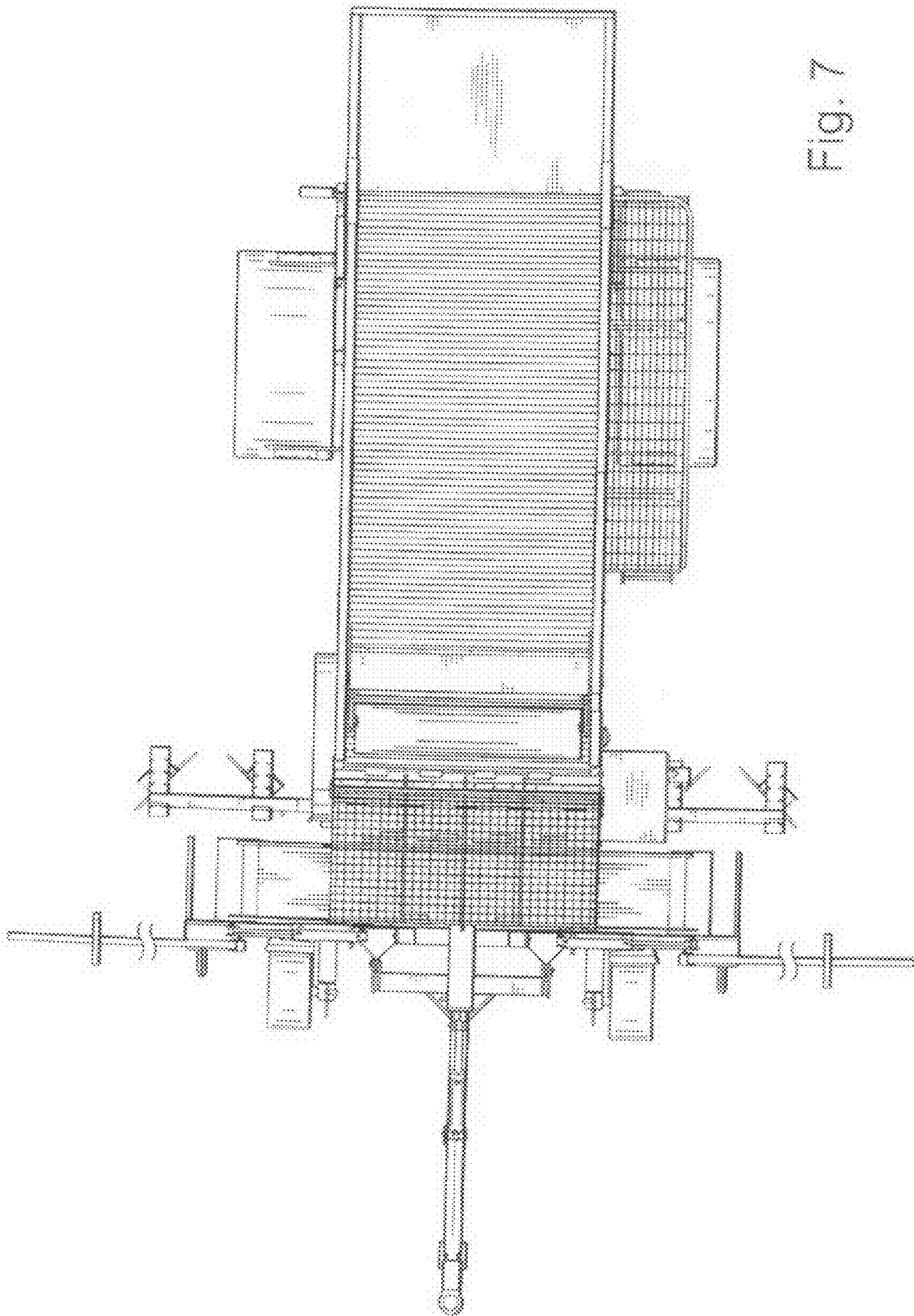


Fig. 7