



US00D629017S

(12) **United States Design Patent**
Major

(10) **Patent No.:** **US D629,017 S**

(45) **Date of Patent:** **** Dec. 14, 2010**

(54) **BACKHOE LOADER**

(75) Inventor: **Gary Edmund Major**, Cheshire (GB)

(73) Assignee: **J.C. Bamford Excavators Limited**,
Rochester, Utttoxeter (GB)

(**) Term: **14 Years**

(21) Appl. No.: **29/357,778**

(22) Filed: **Mar. 17, 2010**

(30) **Foreign Application Priority Data**

Sep. 17, 2009 (EM) 001612805-0002

(51) **LOC (9) Cl.** **12-09**

(52) **U.S. Cl.** **D15/23; D15/25**

(58) **Field of Classification Search** D15/10,
D15/22-26, 33; D21/431; 37/403, 409,
37/442, 443; 180/89.1, 89.12, 89.13; 296/190.03;
414/685, 694, 722, 724

See application file for complete search history.

(56) **References Cited**

U.S. PATENT DOCUMENTS

3,893,728	A *	7/1975	Holopainen	296/65.07
4,182,456	A *	1/1980	Paul	414/685
5,265,995	A *	11/1993	Beck	414/694
D364,408	S *	11/1995	Bryant et al.	D15/25
D391,581	S *	3/1998	Kato et al.	D15/23
5,778,569	A *	7/1998	Schaeff	37/410
D406,151	S *	2/1999	Cunningham et al.	D15/25
5,873,612	A *	2/1999	Connor	292/338
D416,266	S *	11/1999	Del Torchio	D15/25
D431,575	S *	10/2000	Park	D15/25

D523,027	S *	6/2006	Yamashita et al.	D15/23
D523,874	S *	6/2006	Hagele	D15/30
D529,932	S *	10/2006	Yamashita et al.	D15/25
D540,828	S *	4/2007	Johnson et al.	D15/25
D540,829	S *	4/2007	Johnson et al.	D15/25
D549,738	S *	8/2007	Hiraoka et al.	D15/25
D590,846	S *	4/2009	Kinsinger et al.	D15/25

* cited by examiner

Primary Examiner—Mark A Goodwin

(74) *Attorney, Agent, or Firm*—Goodman, Allen & Filetti
PLLC

(57) **CLAIM**

The ornamental design for a backhoe loader, as shown and described.

DESCRIPTION

FIG. 1 is a left front perspective view of a backhoe loader embodying my design.

FIG. 2 is a front elevational view thereof.

FIG. 3 is a right side elevational view thereof.

FIG. 4 is a right rear perspective view thereof.

FIG. 5 is a rear elevational view thereof.

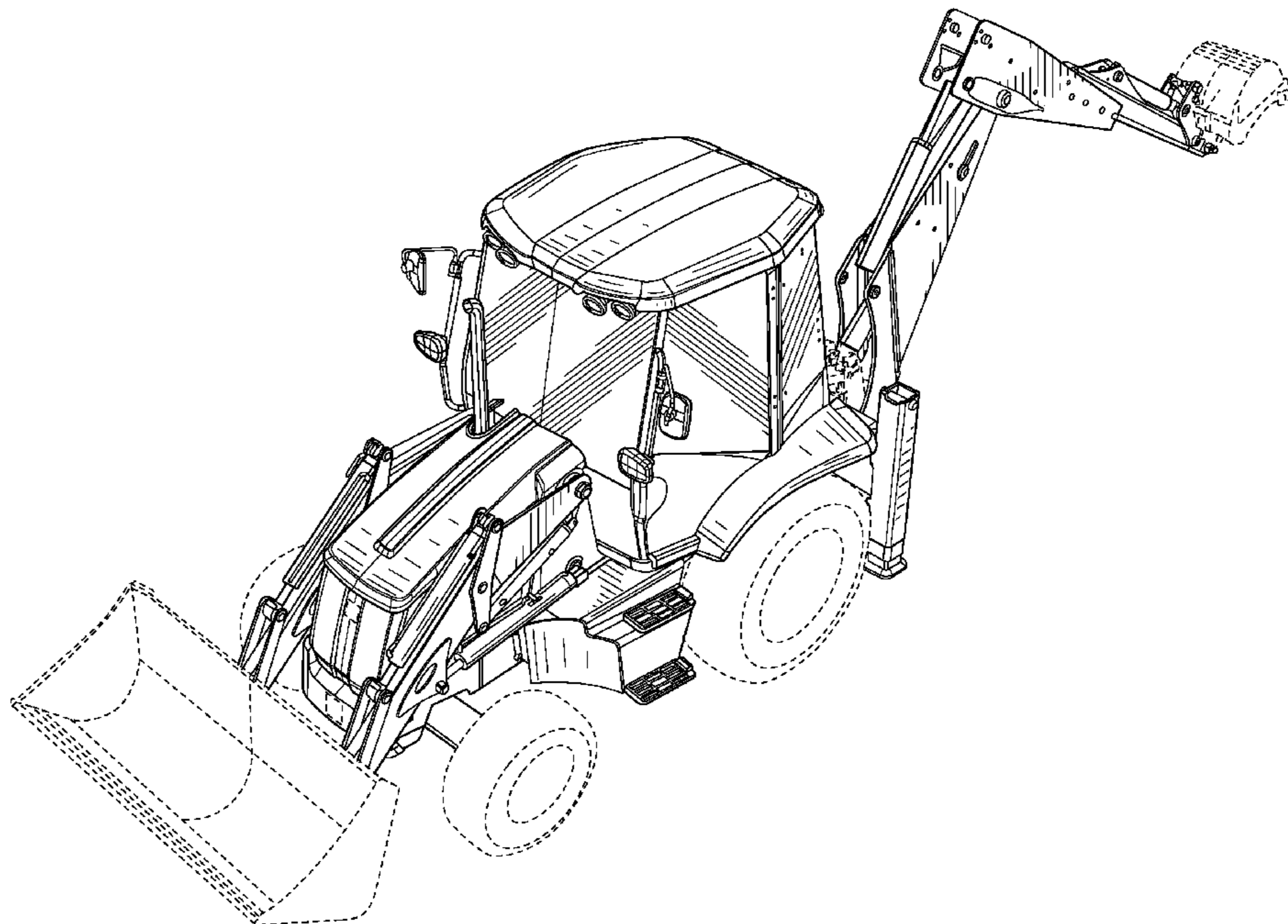
FIG. 6 is a left side elevational view thereof; and,

FIG. 7 is a top plan view thereof.

The bottom view forms no part of the claimed design.

The broken line showing the wheels, the scoop and bucket, and the area where the backhoe arm joins the loader body in the drawings forms no part of the claimed design.

1 Claim, 7 Drawing Sheets



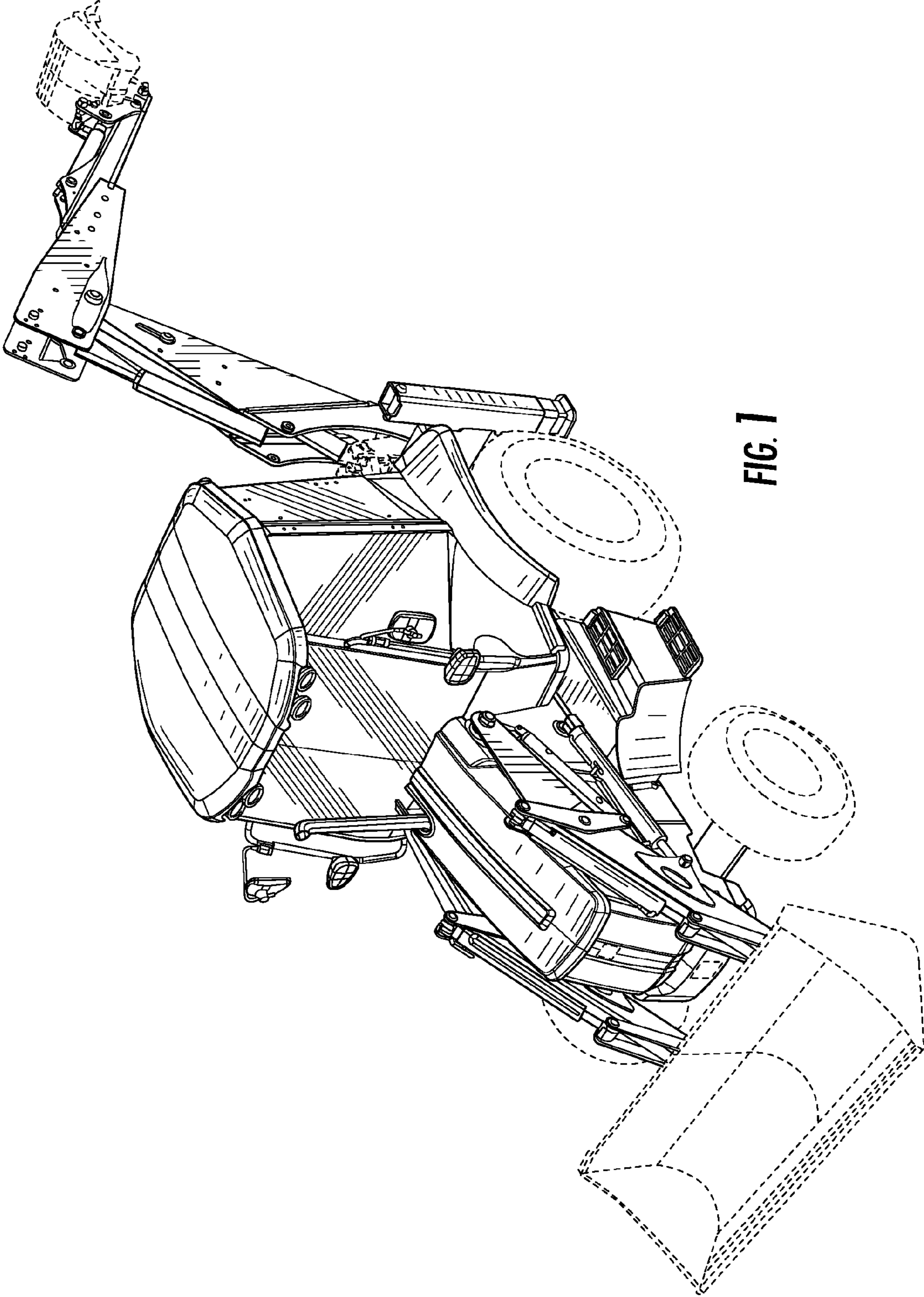


FIG. 1

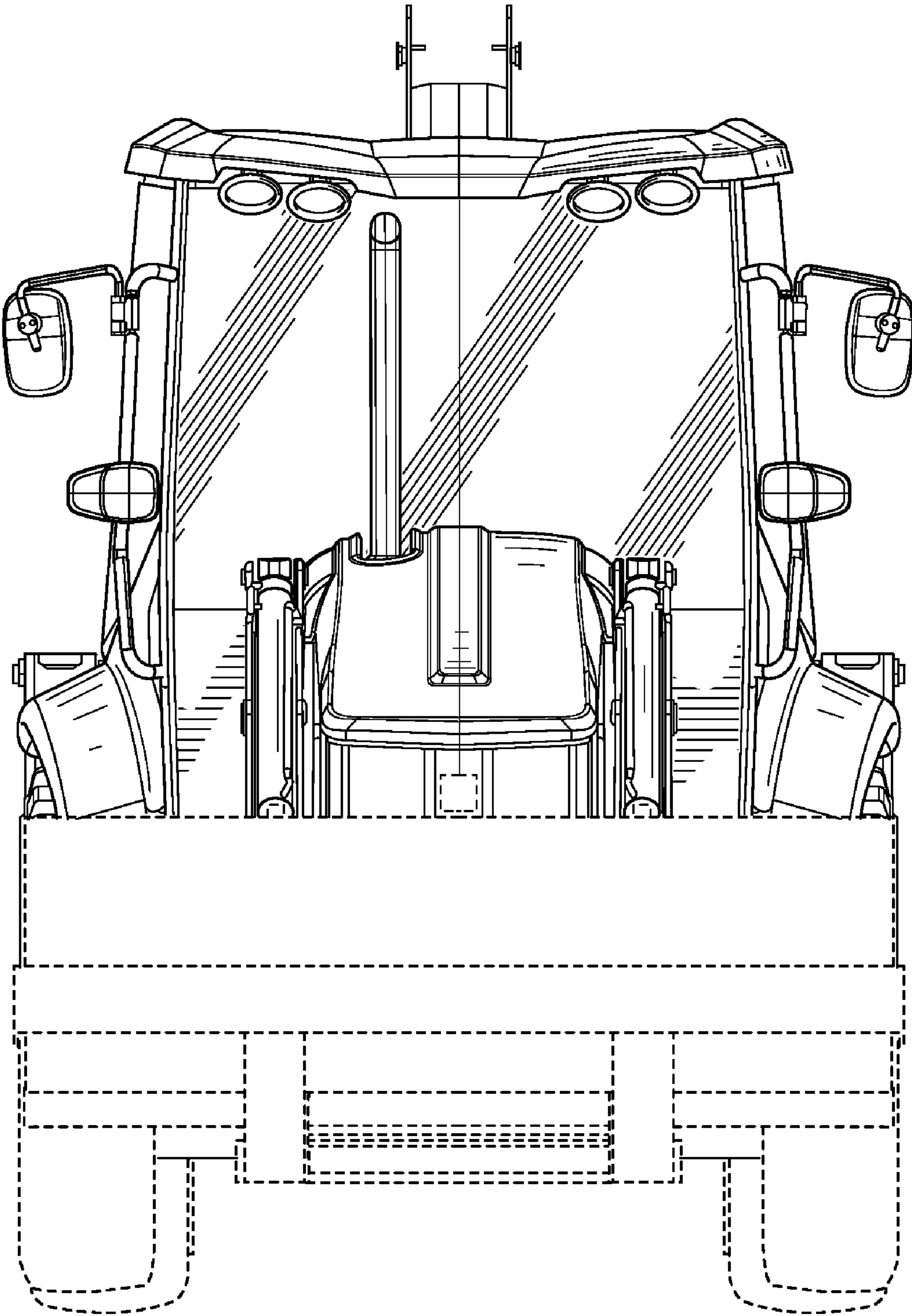


FIG. 2

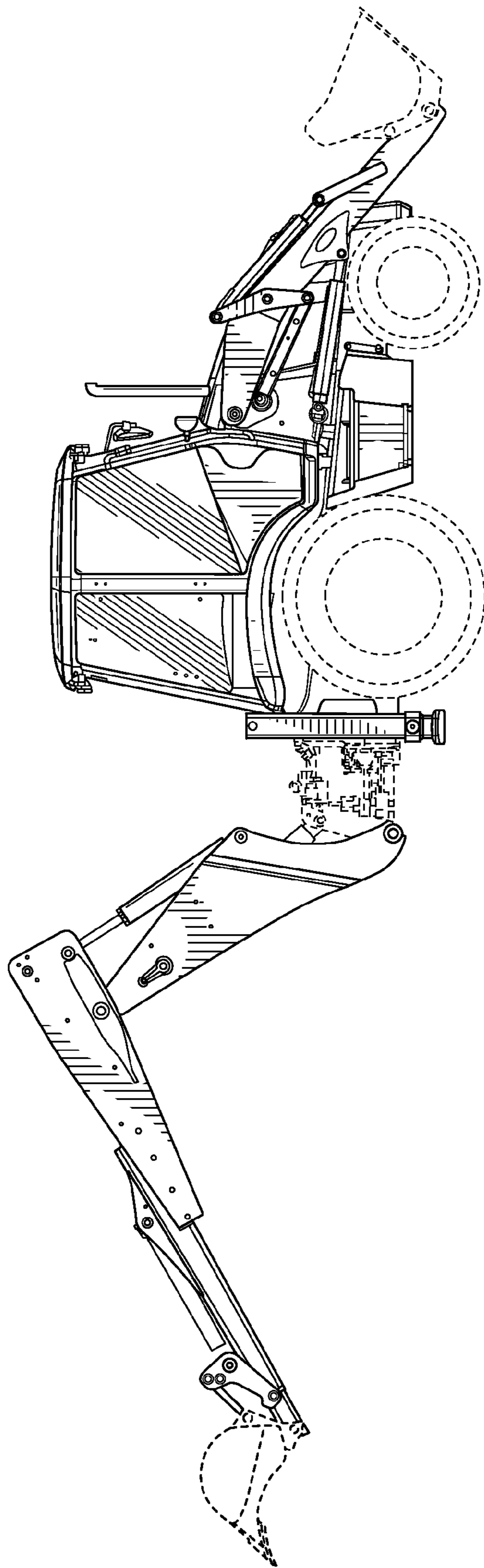


FIG. 3

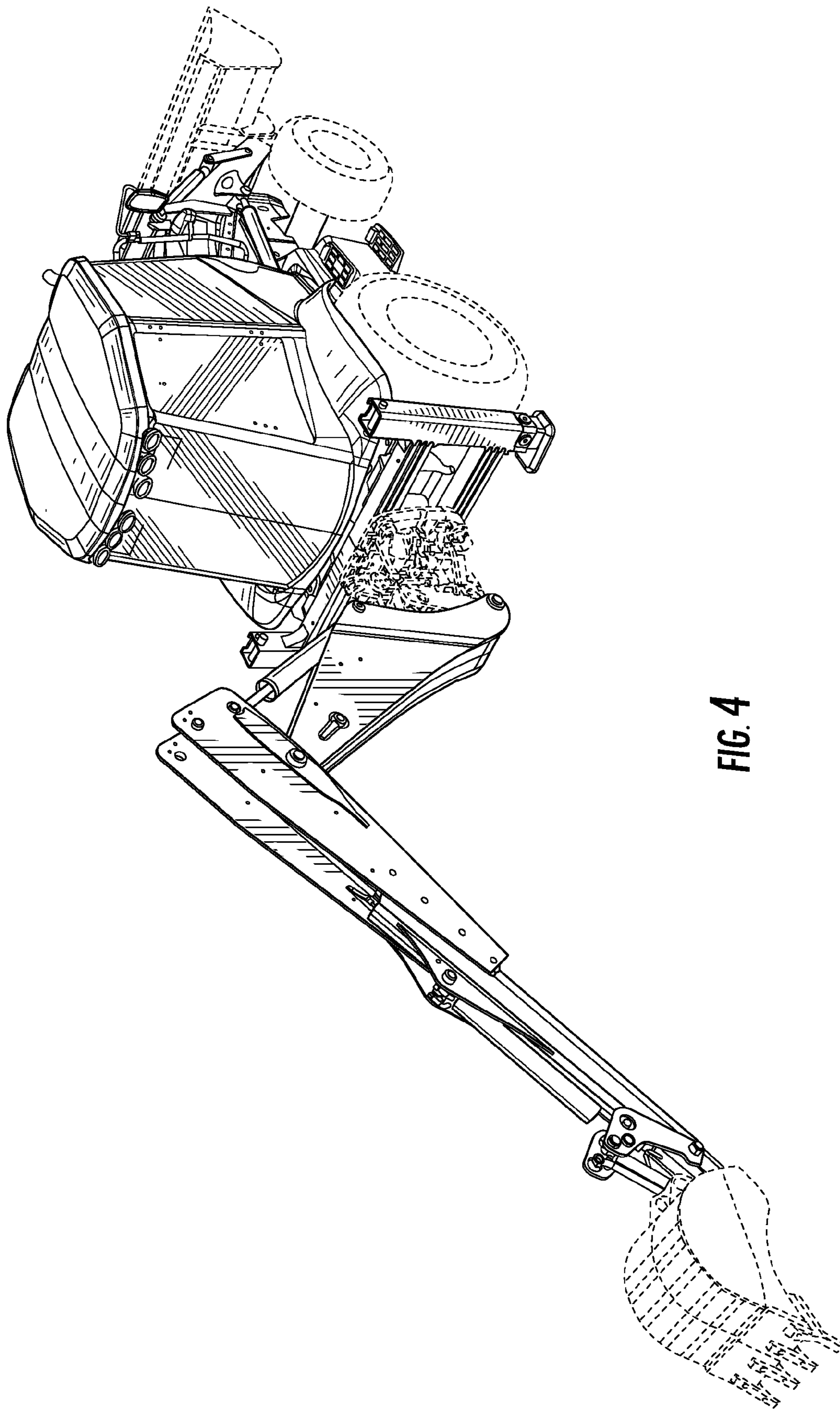


FIG. 4

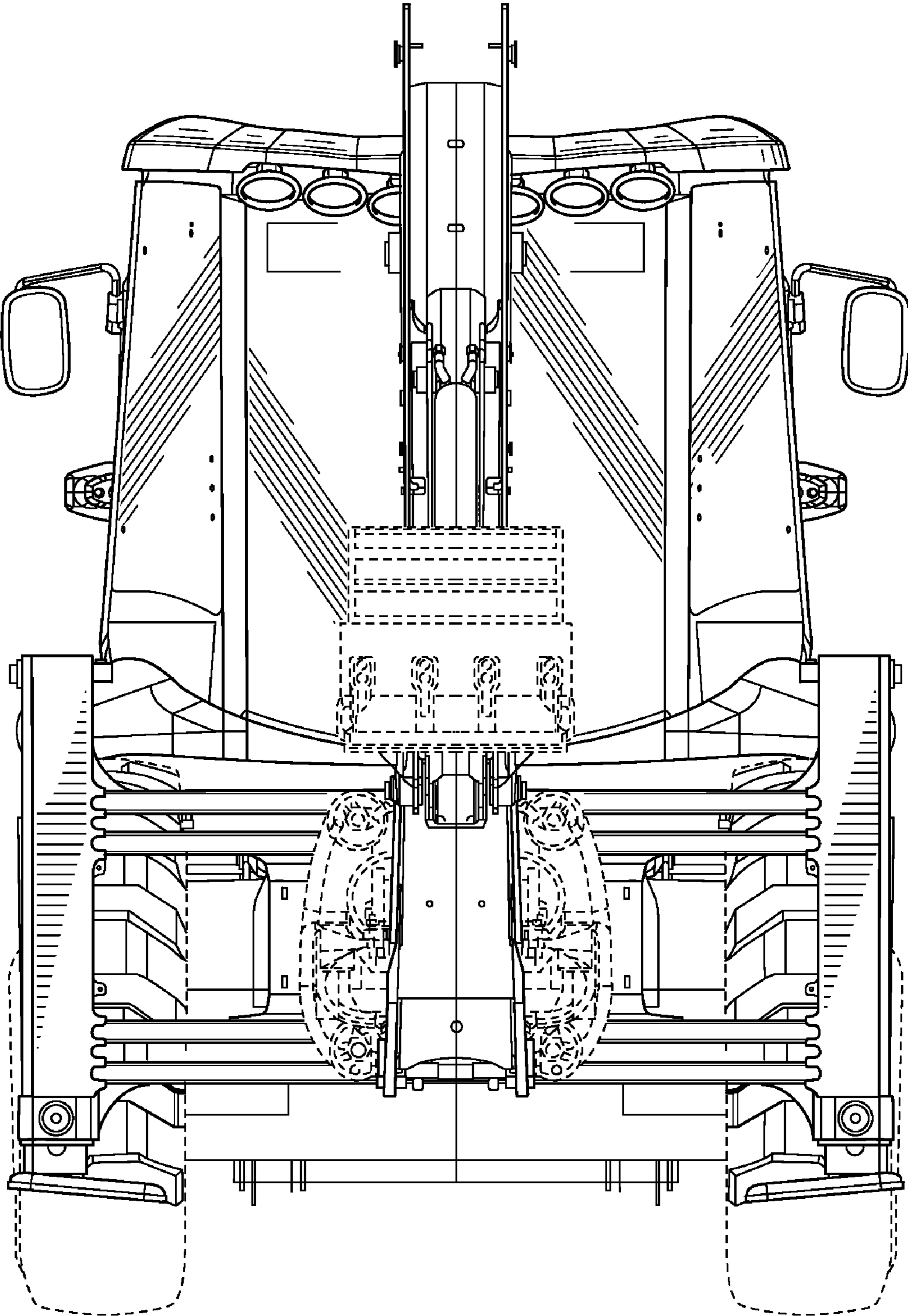


FIG. 5

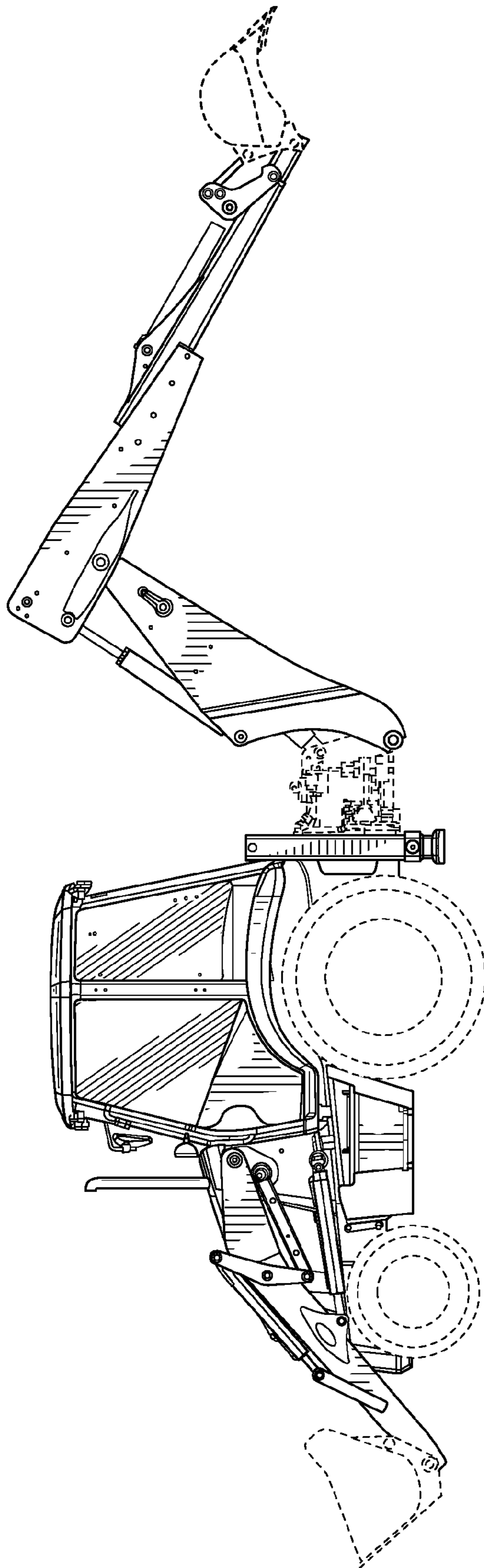


FIG. 6

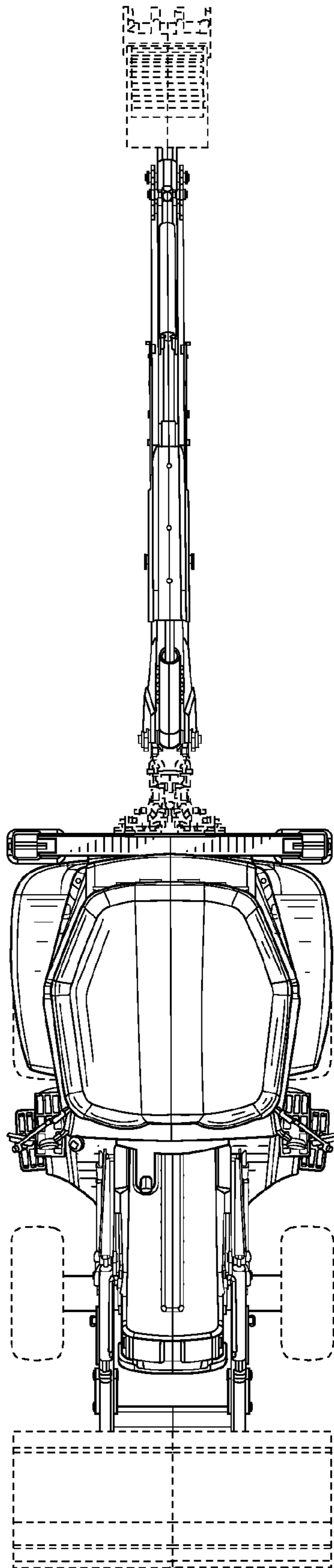


FIG. 7