



US00D629015S

(12) **United States Design Patent**
Iekura et al.

(10) **Patent No.:** **US D629,015 S**
(45) **Date of Patent:** **** Dec. 14, 2010**

(54) **UPPER COVER OF OUTBOARD MOTOR**

D568,904 S * 5/2008 Osumi D15/4
D589,057 S * 3/2009 Azuma D15/4

(75) Inventors: **Shuji Iekura**, Kyoto-fu (JP); **Shigetaka Kanai**, Kyoto-fu (JP)

* cited by examiner

(73) Assignee: **Yamaha Hatsudoki Kabushiki Kaisha** (JP)

Primary Examiner—Cathron C. Brooks
Assistant Examiner—Maurice Stevens
(74) *Attorney, Agent, or Firm*—Ostrolenk Faber LLP

(**) Term: **14 Years**

(21) Appl. No.: **29/333,332**

(22) Filed: **Mar. 6, 2009**

(57) **CLAIM**

The ornamental design for a upper cover of outboard motor, as shown and described.

(51) **LOC (9) Cl.** **15-01**
(52) **U.S. Cl.** **D15/4**
(58) **Field of Classification Search** D15/4,
D15/5; 440/3-6, 52-53, 57, 61 R, 84, 88 R;
123/195 C, 198 E; 290/43-46, 54; 248/640,
248/642-643

DESCRIPTION

See application file for complete search history.

FIG. 1 is a front, right side, perspective view of an upper cover of an outboard motor showing our new design;
FIG. 2 is a rear, left side perspective view thereof;
FIG. 3 is a right side view thereof;
FIG. 4 is a left side view thereof;
FIG. 5 is a front view thereof;
FIG. 6 is a rear view thereof;
FIG. 7 is a top view thereof; and,
FIG. 8 is a bottom view thereof.

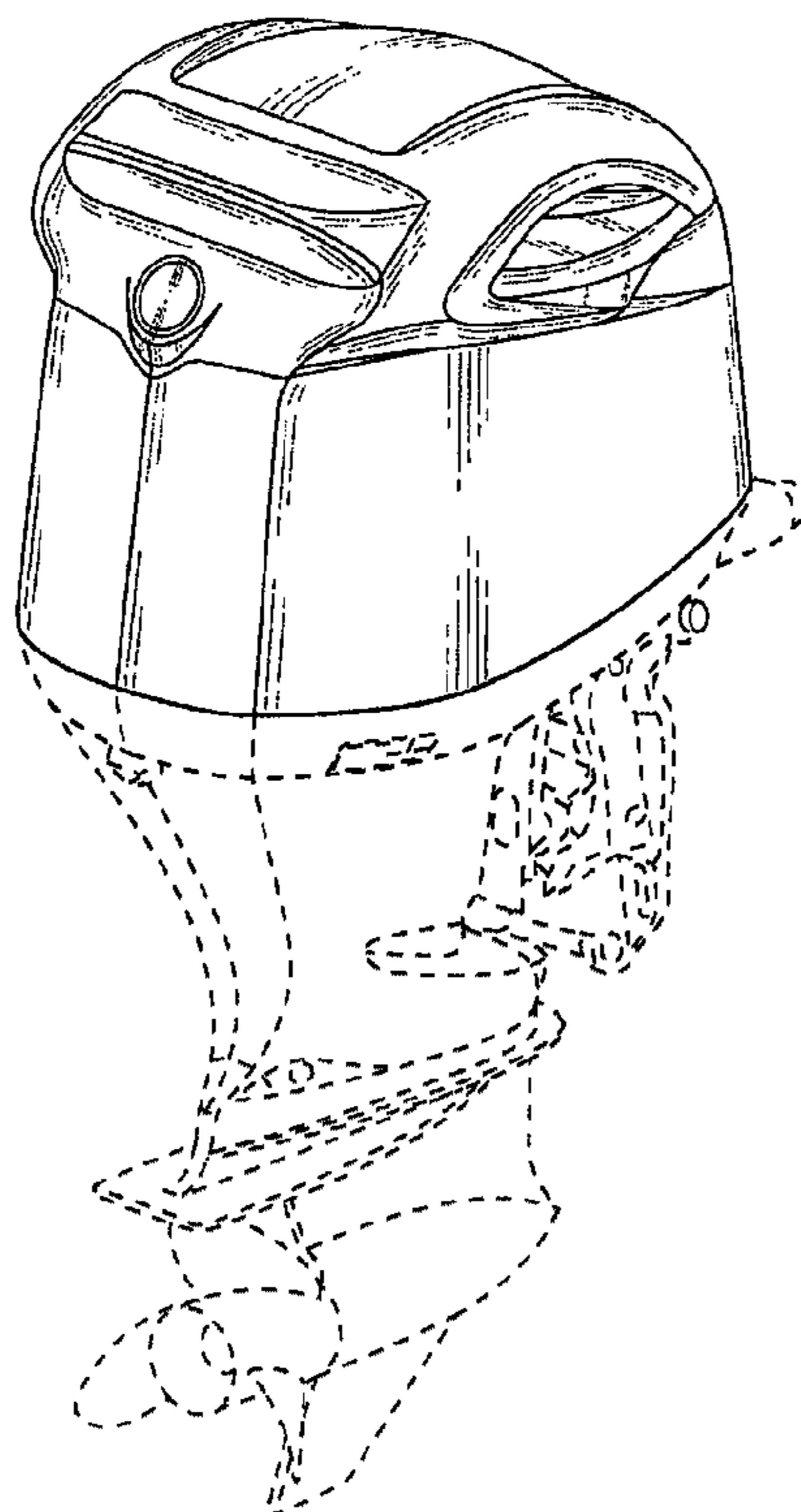
The broken line showing of unclaimed portions of the upper cover of outboard motor forms no part of the claimed design.

(56) **References Cited**

U.S. PATENT DOCUMENTS

3,939,795 A * 2/1976 Rocka 440/78
D333,663 S * 3/1993 Faber D15/4
5,215,485 A * 6/1993 Bonner et al. 440/77
5,573,436 A * 11/1996 Trudeau et al. 440/77
6,024,616 A * 2/2000 Takayanagi 440/77
6,176,751 B1 * 1/2001 Takahashi 440/77
D537,838 S * 3/2007 Iekura D15/4

1 Claim, 4 Drawing Sheets



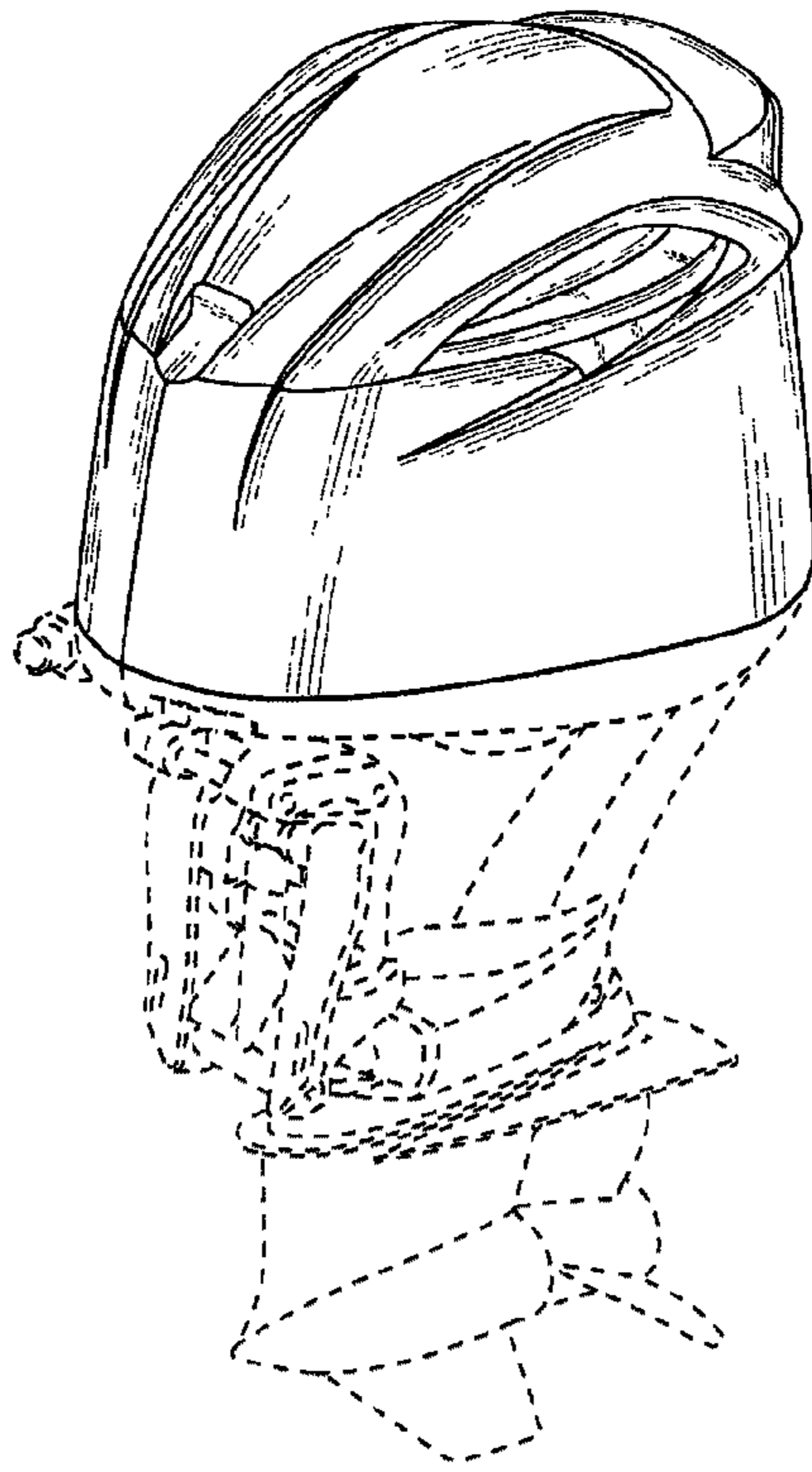


FIG. 1

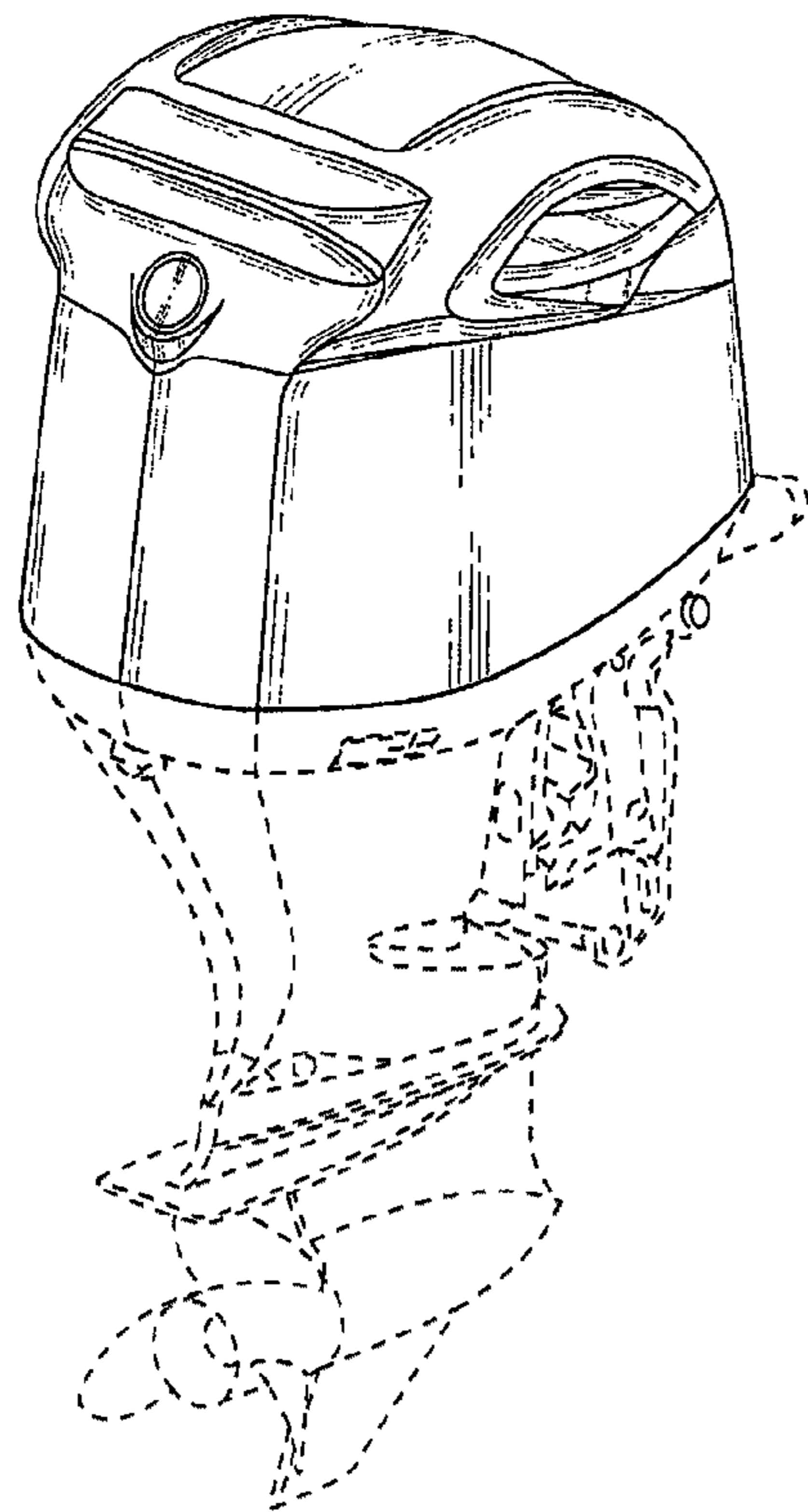


FIG. 2

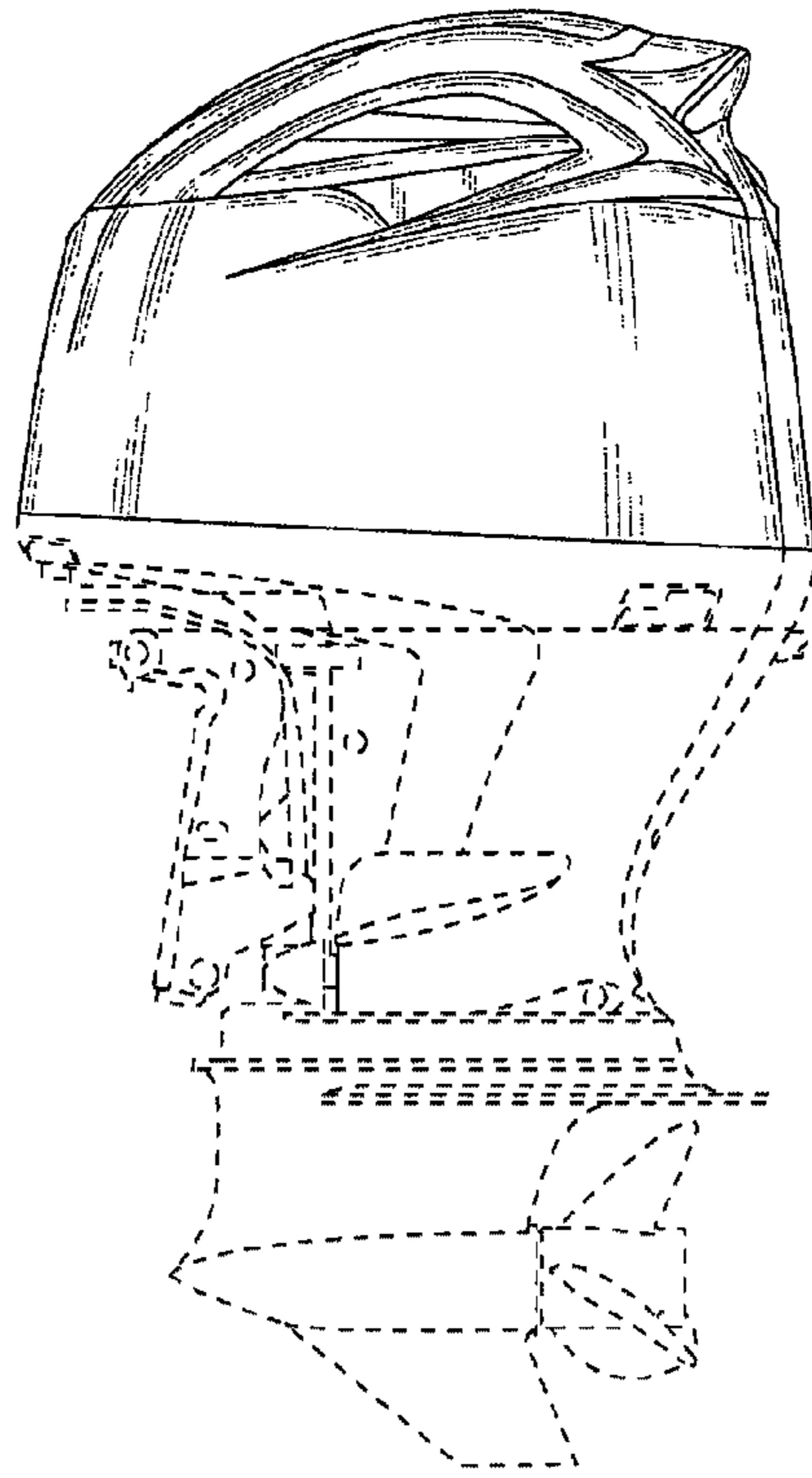


FIG. 3

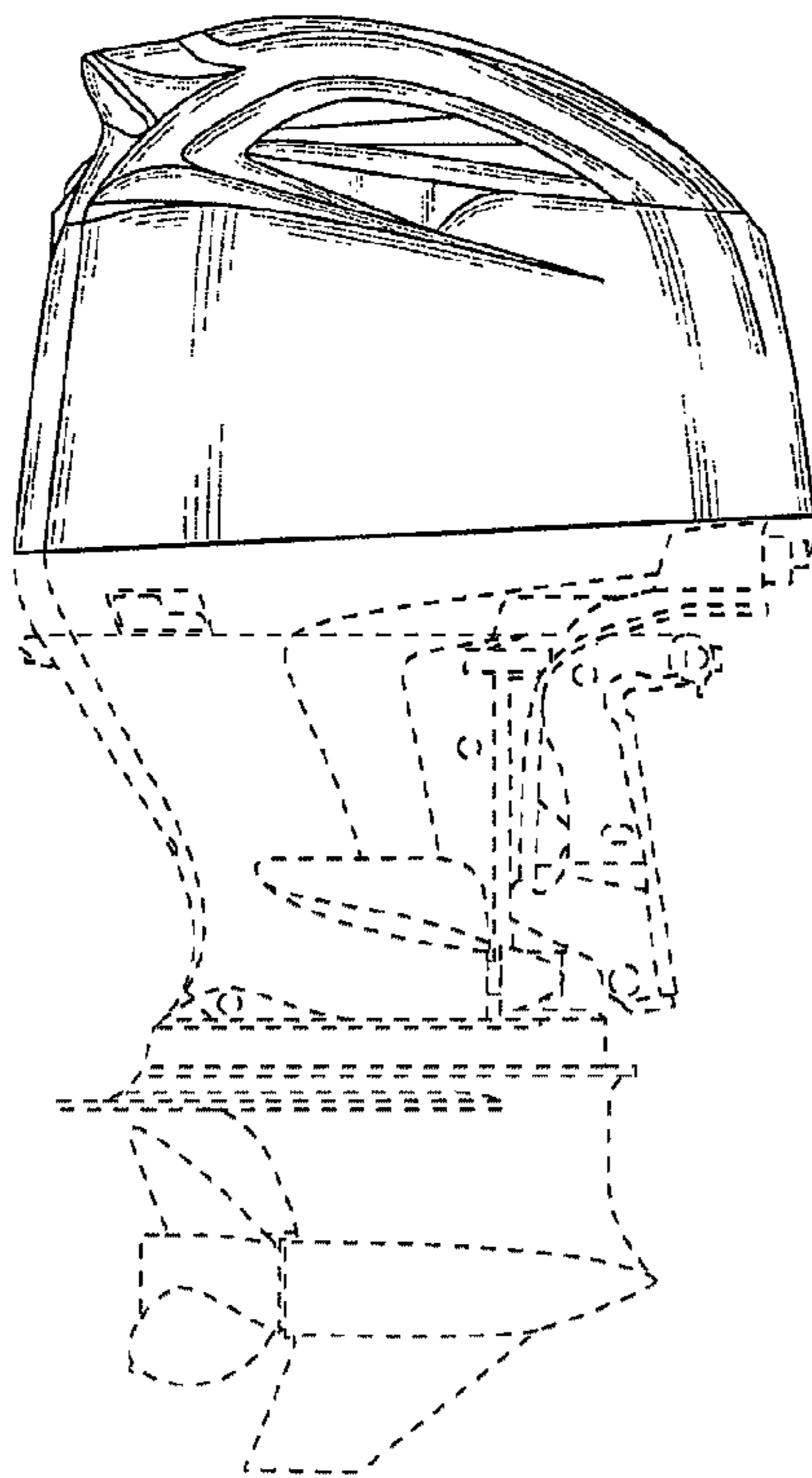


FIG. 4

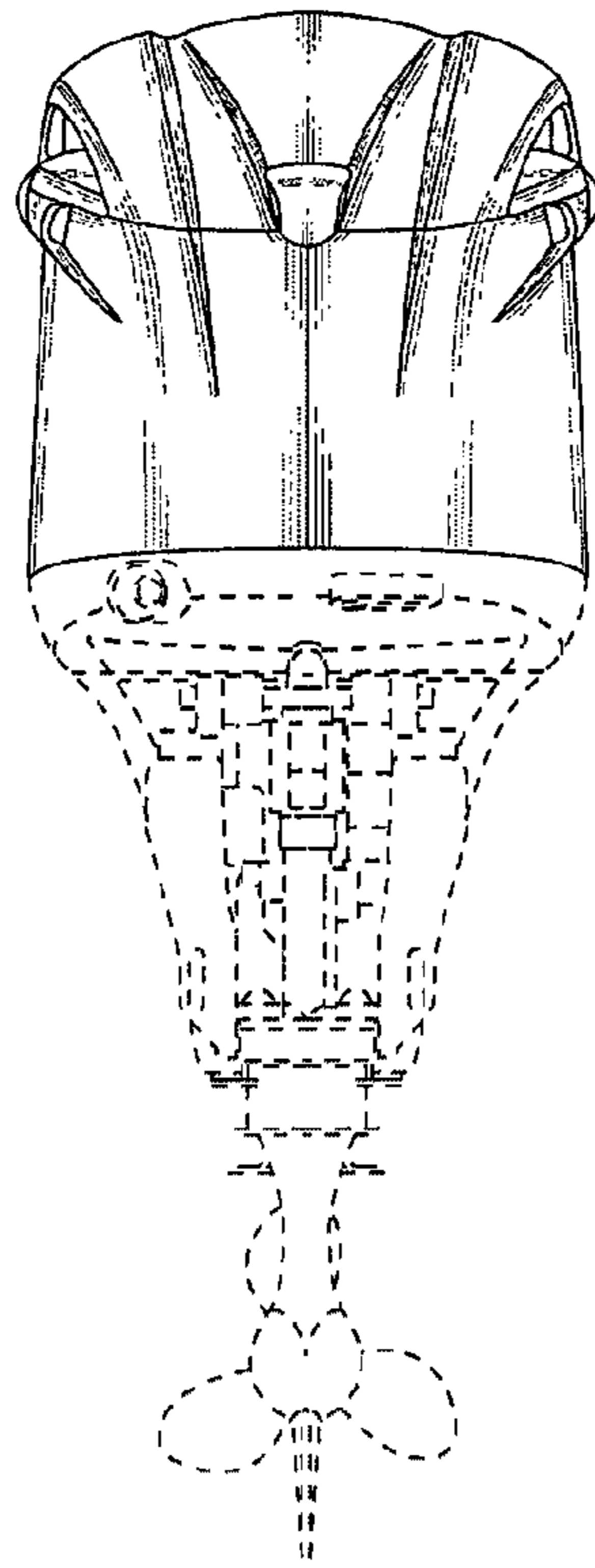


FIG. 5

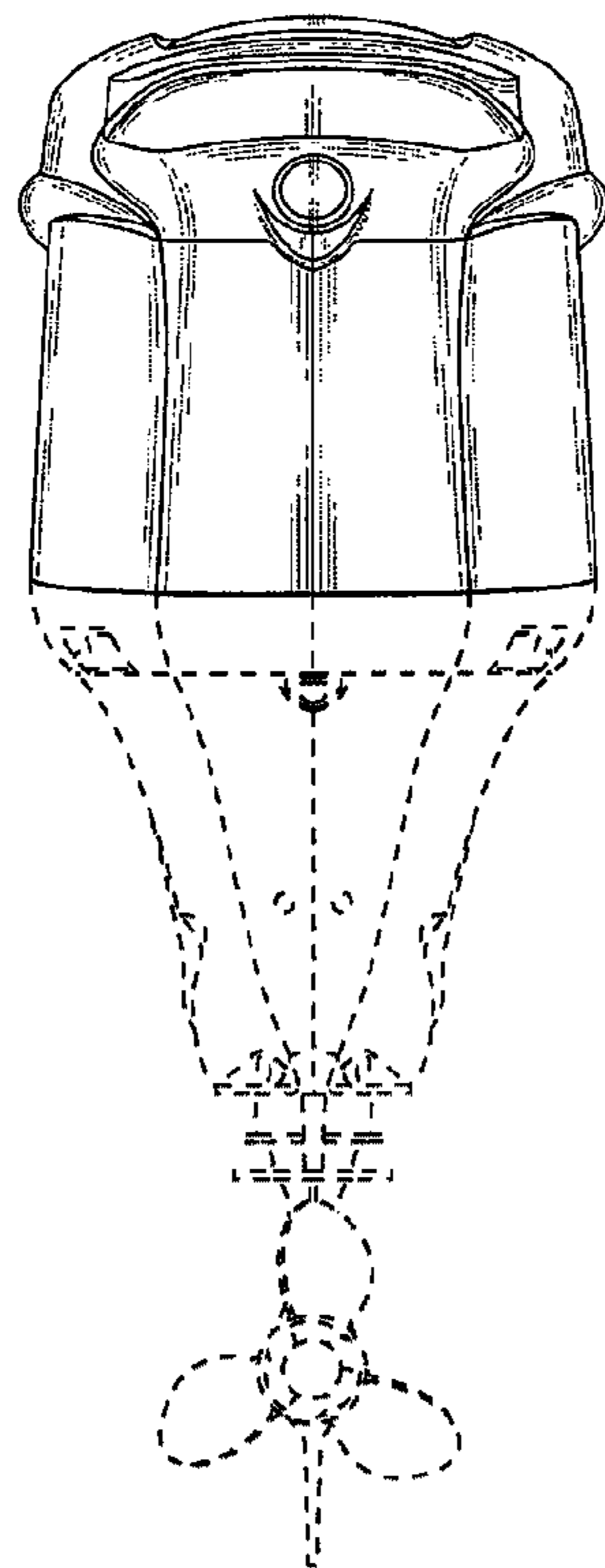


FIG. 6

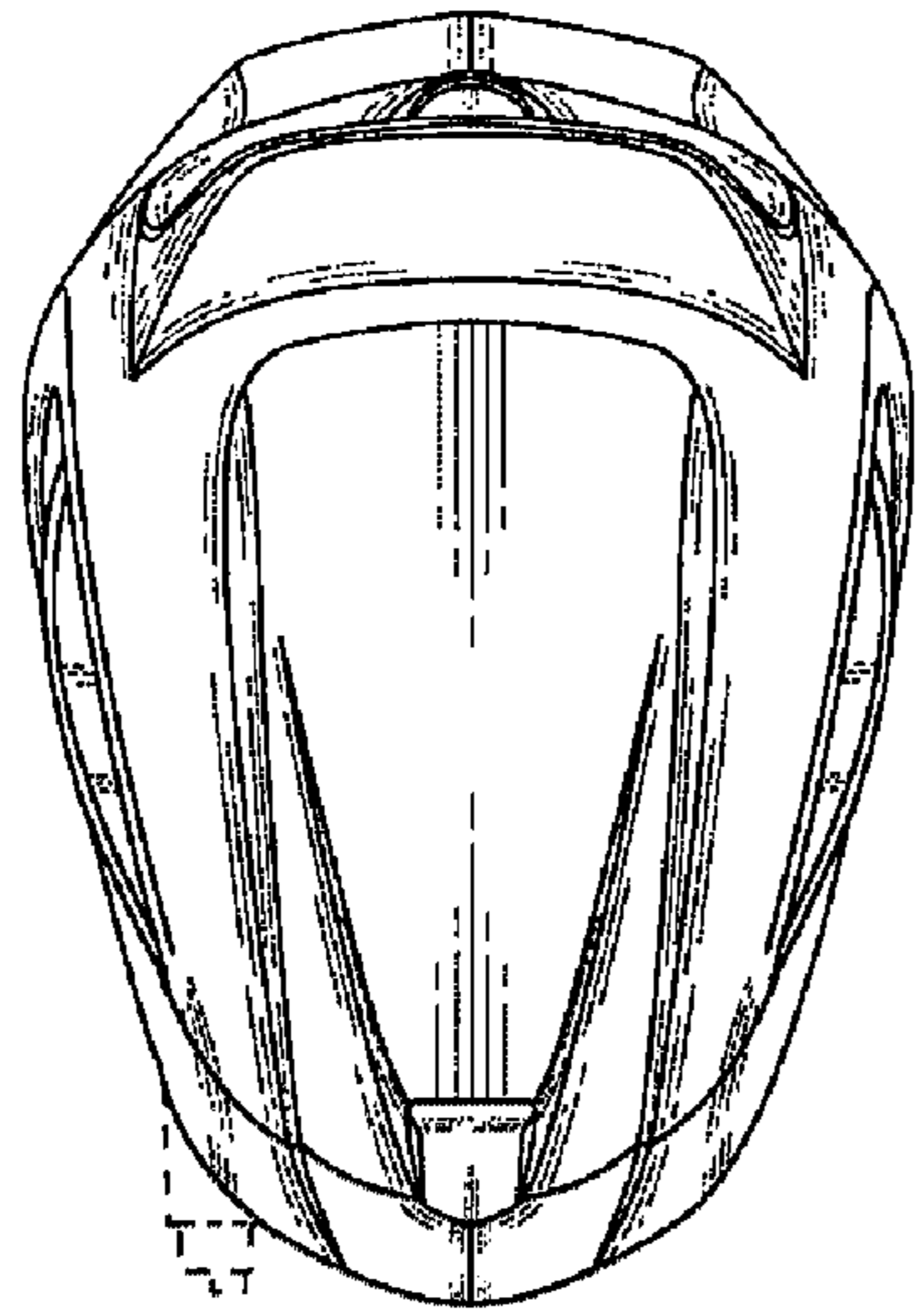


FIG. 7

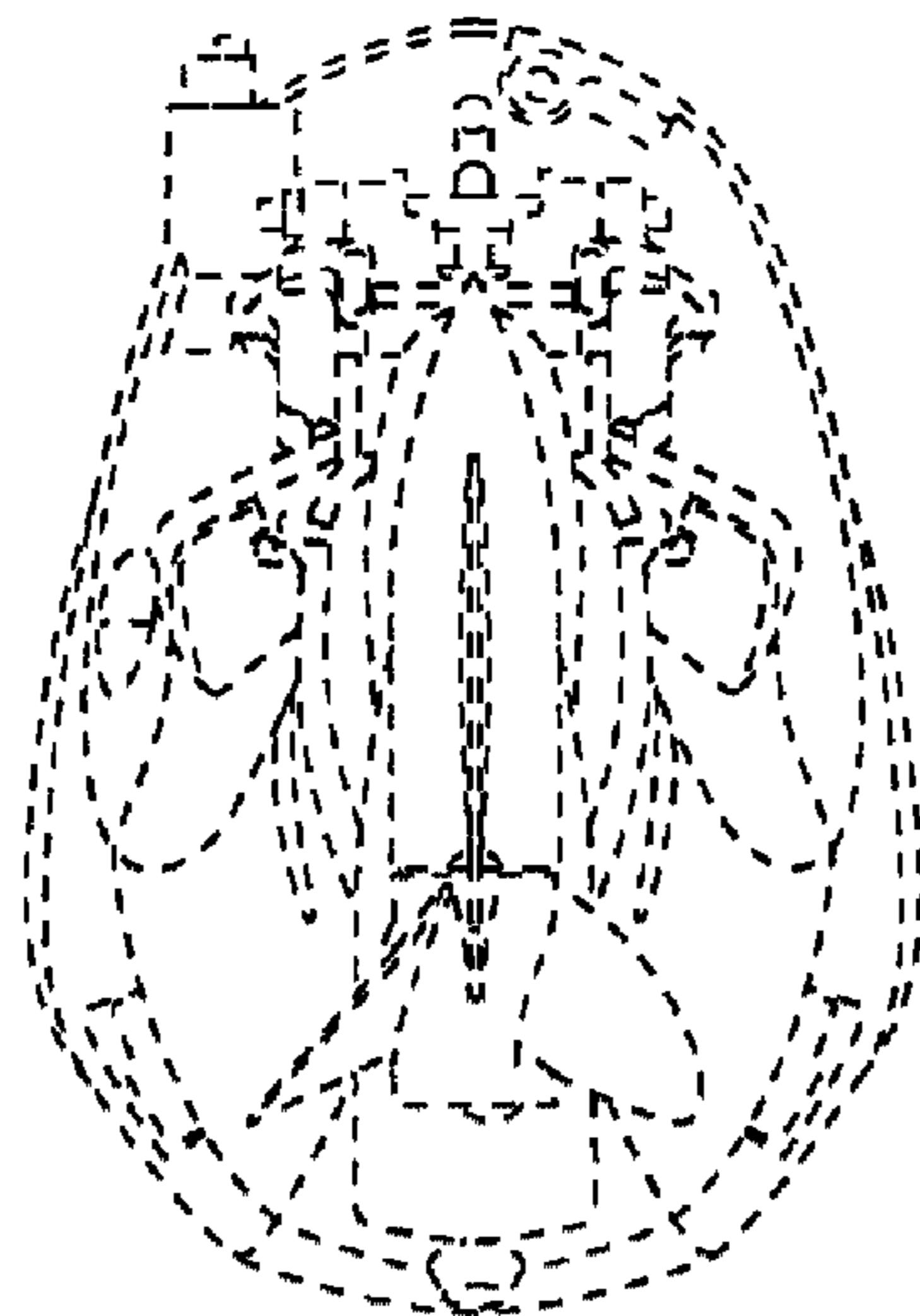


FIG. 8